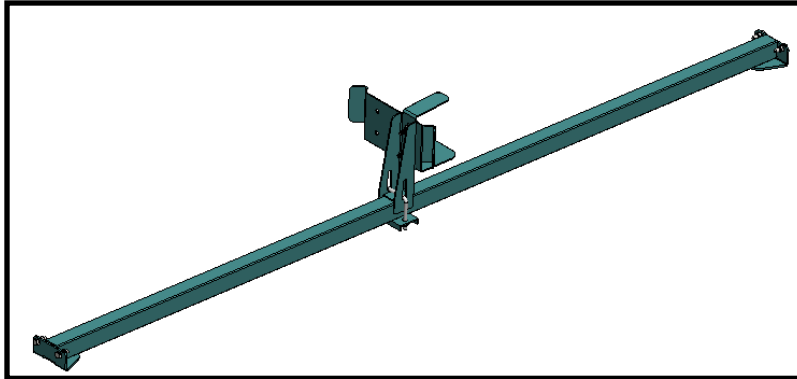


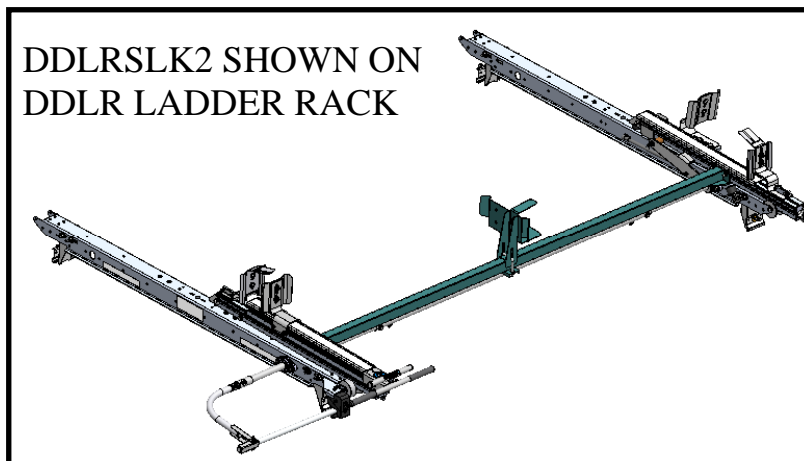
DDLRL, STEP LADDER KIT



PRODUCT WEIGHT
17 LBS

WIDTH x DEPTH x HEIGHT
N/A

CAPACITY
UP TO 8' STEP



COLOR
ALM & BLACK

CATALOG NUMBER
DDLRLSLK2

PRODUCT FEATURES

DDLRLSLK2 IS A FULLY ADJUSTABLE STEP LADDER KIT THAT FITS ALL DDLRL DROP DOWN LADDER RACKS. THE STEP LADDER KIT FITS A VARIETY OF STEP LADDER UP TO A 8' STEP LADDER.

SEE PAGE 2 FOR APPLICATION NOTES AND ACCESSORIES, OTHER PRODUCTS THAT WORK WITH THIS UNIT.



CATALOG NUMBER DDLRSLK2

PRODUCT APPLICATION

This product is designed to be installed on any DDLR ladder rack and allow the user to carry up to a 8' step ladder.

ACCESSORIES THAT WILL WORK WITH THIS PRODUCT

CATALOG NUMBER

DESCRIPTION

DDLR

Works with any DDLR series drop down ladder rack

SPECIAL APPLICATION NOTES

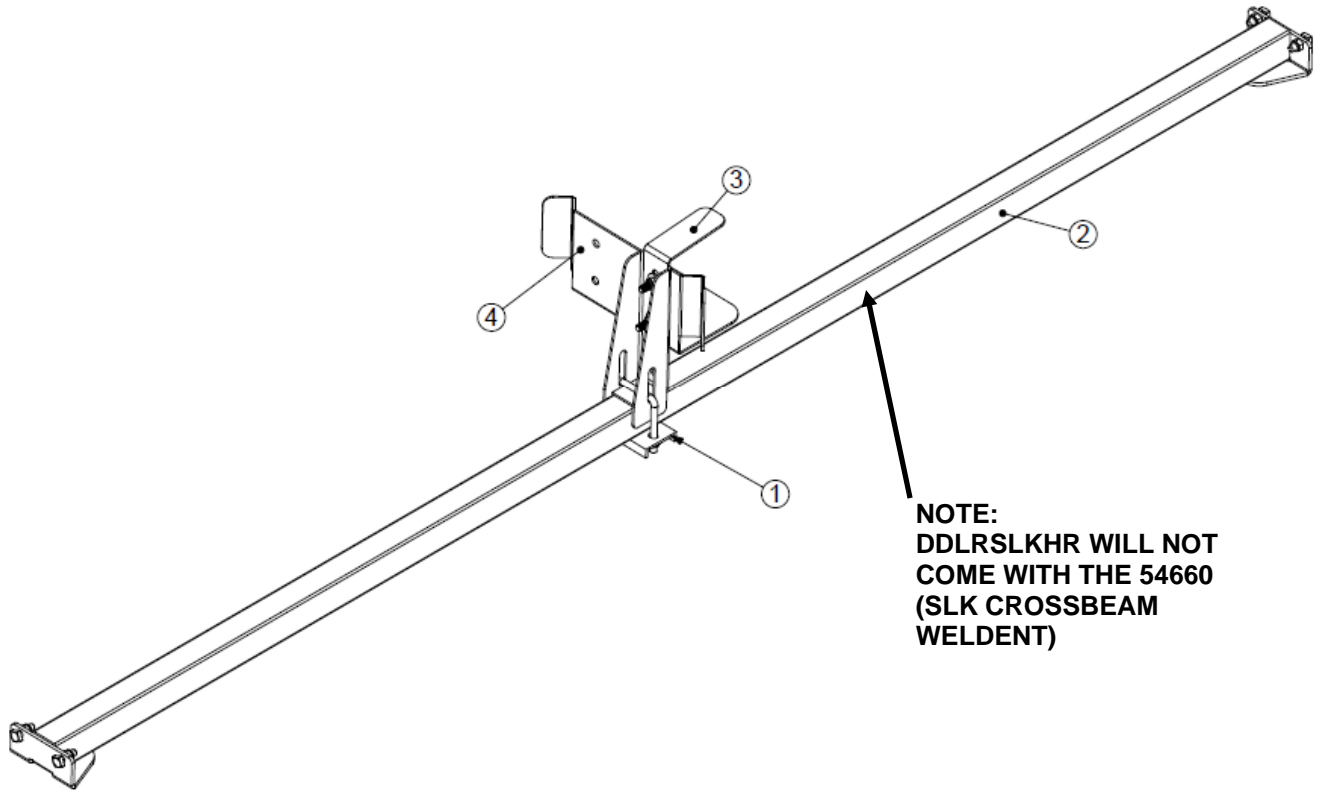
Introduction / Comments:

DDLRSLK2 AND DDLRSLKHR STEP LADDER KIT ASSEMBLY INSTALLATION INSTRUCTIONS FOR THE ADRIAN STEEL DDLR SERIES LADDER RACK. THE STEP LADDER KIT WILL FIT ON ALL DDLR LADDER RACKS AND CAN ACCOMMODATE A WIDE VARIETY OF STEP LADDERS.

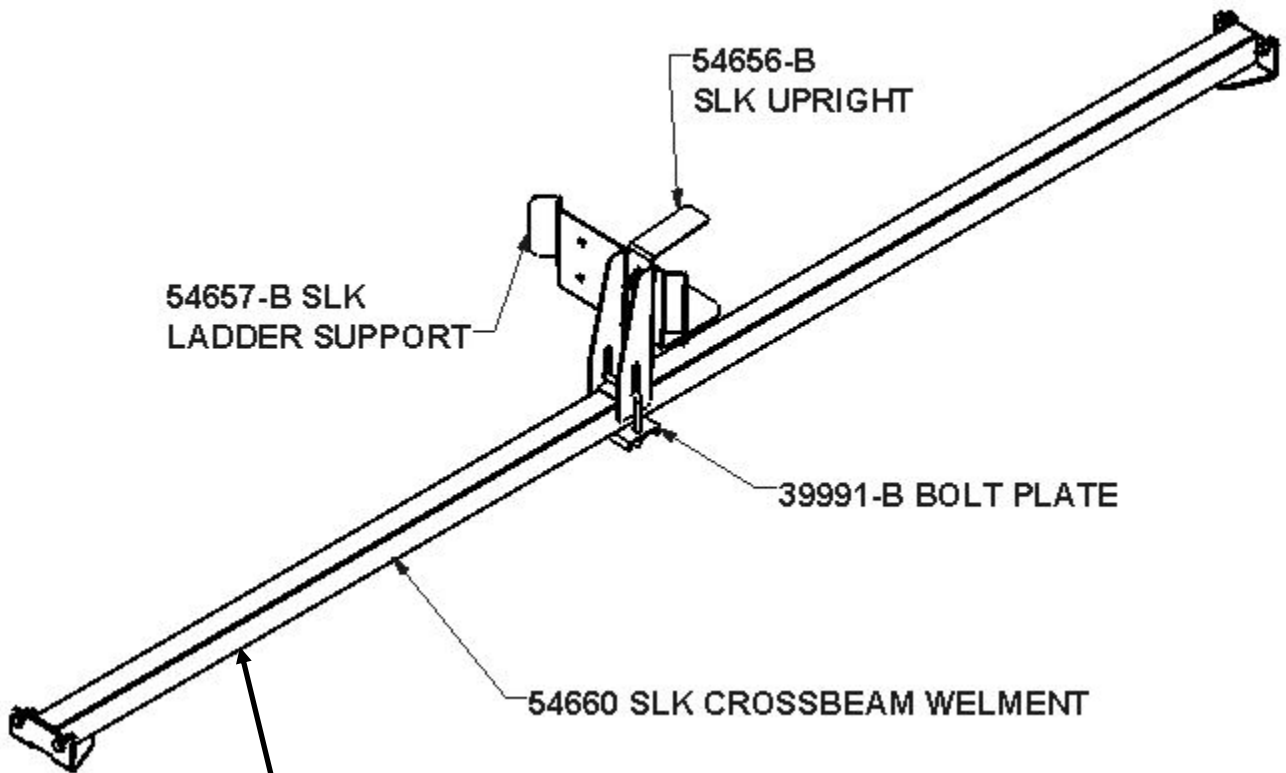
Note:

It is advised that all fasteners used in this assembly and installation should be checked for tightness at the following intervals: @ 2-weeks and again @ 6-weeks of operation. This preventive maintenance step must be completed to ensure your Product gives you long service life.

ITEM NO.	PART NUMBER	DESCRIPTION	QE5034-305/QTY.	
1	39991-B	BOLT PLATE, BLACK	1	
2	54660	SLK CROSSBEAM WELDMENT	1	
3	54656-B	SLK UPRIGHT, BLACK PLS	1	
4	54657-B	SLK LADDER SUPPORT, BLACK	1	
5	BAG54663	FAS BAG FOR DDLRSLK2	1	NOT SHOWN
6	54661	INS INSTRUCT, DDLRSLK2	1	NOT SHOWN



**DDLRSLK2 & DDLRSLKHR
STEP LADDER KIT FOR DDLR SERIES**



NOTE:
DDLRSLKHR WILL NOT
COME WITH THE 54660
(SLK CROSSBEAM
WELMENT)

**NOTE:
IF YOU ARE INSTALLING
THE DDLRSLKHR SKIP TO
STEP #4 AT THIS TIME.**

- PRECAUTIONS -



CAUTION
THE USE OF AIR IMPACT TOOLS CAN
OVER-TORQUE FASTENERS AND
CAUSE FASTENER FAILURE!



CAUTION
ALL INSTALLATION HOLES SHOULD BE SEALED
WITH SILICON OR BUTYL SEALANT TO PREVENT
EXHAUST FUMES FROM ENTERING THE VEHICLE!



DANGER
INSPECT FOR FUEL TANK, FUEL LINES, BRAKE LINES, HIGH
VOLTAGE BATTERIES AND ELECTRICAL LINES PRIOR TO
DRILLING TO AVOID DAMAGING CRITICAL VEHICLE SYSTEMS
OR INJURY TO INSTALLER DURING INSTALLATION PROCESS!



CAUTION
TO AVOID DAMAGING THE VEHICLE ALWAYS USE DRILL
STOPS WHEN DRILLING ANY INSTALLATION HOLES!
ADRIAN AVAILABLE PART #'S 31119-0 (3/8" X 1/2"
DEEP), 31121-0 (1/2" x 1/2" DEEP)



- IMPORTANT WARRANTY REQUIREMENTS -

1. SUBSTITUTING ADRIAN STEEL SPECIFIED FASTENERS FOR ASSEMBLY AND/OR INSTALLATION WILL VOID YOUR PRODUCT WARRANTY.
2. ALL HOLES DRILLED INTO VEHICLE SHOULD HAVE THE RAW METAL EDGES SEALED WITH A SELF-ETCHING PRIMER TO RESIST CORROSION AND POTENTIAL FASTENER POINT FAILURE.
3. ALL FASTENERS USED IN THE INSTALLATION OF THIS PRODUCT SHOULD BE TIGHTENED TO THE TORQUE(S) SPECIFIED IN THESE INSTRUCTIONS.
4. THESE INSTRUCTIONS SHOULD BE KEPT WITH THE VEHICLE.

THE BASIC TOOLS NEEDED FOR MOST INSTALLATIONS



DRILL



DRILL BIT WITH
STOP



RATCHET, SOCKETS
AND/OR WRENCHES



SCREWDRIVERS



MEASURING TAPE

ADDITIONAL TOOLS MAY BE NEEDED FOR THIS INSTALLATION AND THEY WILL BE IDENTIFIED IN THE STEPS THAT FOLLOW.

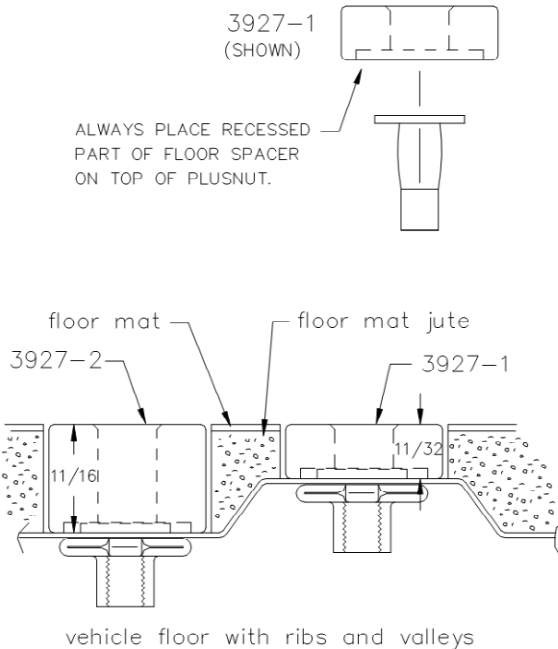


If your vehicle contains carpet or a rubber floor mat you will need to prepare the mounting location. Position the product to be installed into the vehicle and once you are satisfied with the mounting locations, mark the mounting locations. Using a 1-3/16" diameter carpet cutter (P/N: 31183-0). Select the appropriate floor spacers as shown in the illustration. Set those aside for use later into the installation process.

Using the correct drill bit size for the selected plusnut, drill the mounting holes in the vehicle sheet metal to prepare for installing the plusnuts.

If you are thru-bolting at any of the locations simply drill a hole that is 1/16" larger than the bolt size(s) for those locations.

Once you have drilled the holes into the vehicle, the raw metal edges should be sealed using a self-etching primer to resist corrosion and potential fastener point failure.



A PLUSNUT (RIVNUT) SETTING TOOL IS REQUIRED FOR PLUSNUT (RIVNUT) INSTALLATION . PLUS NUT SETTING TOOL CAN BE ORDERED THROUGH ADRIAN STEEL, OR USE AN AIR POWERED PLUSNUT SETTING GUN.

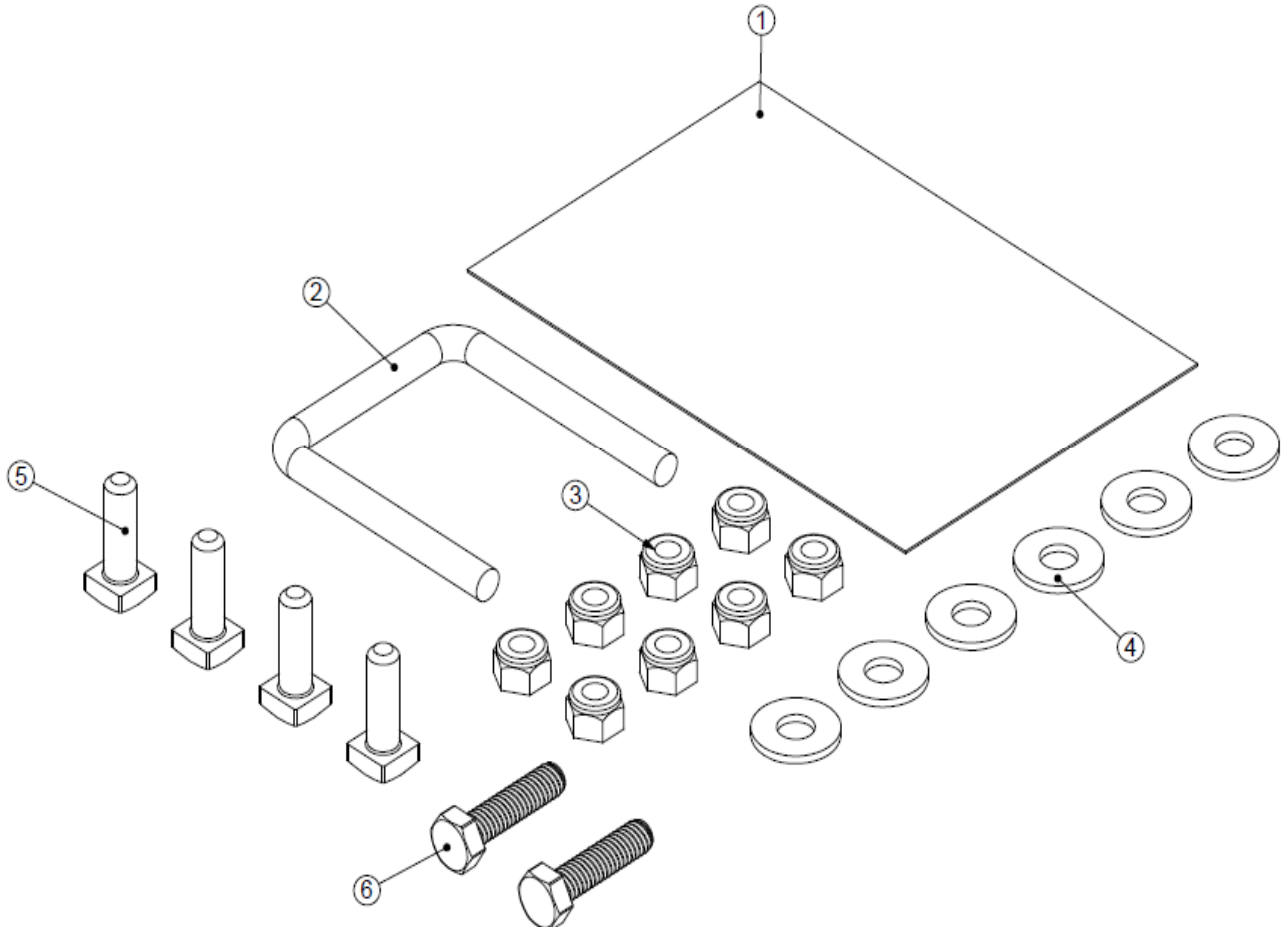
1/4-20UNC Plusnut (FAS0052) Use 3/8" dia. drill w/stop
 FAS0080 SCREW, HXHD, 1/4-20UNCx2.00", G8
 FAS0067 WASHER, FLAT, 1/4"ID
 22200-0 PLUSNUT TOOL

5/16-18UNC Plusnut (FAS0091) Use 1/2" dia. drill w/stop
 FAS0095 SCREW, HXHD, 5/16-18UNCx2.00", G8
 FAS0086 WASHER, FLAT, 5/16"ID
 22200-0 PLUSNUT TOOL

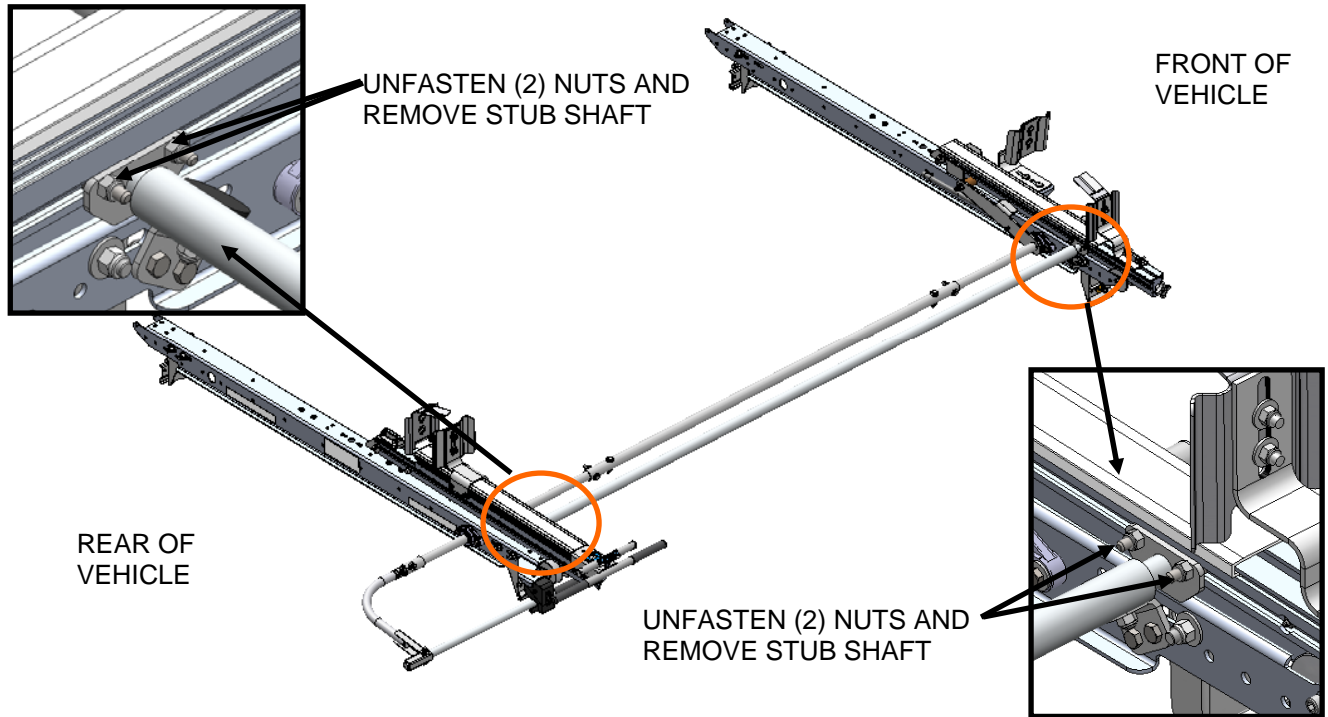
Place barrel of the plusnut body in sheet metal thru hole until flange is flush with sheet metal.
 Using a 9/16" combination wrench of plusnut tool body and a second hand wrench, ratchet, or air tool, rotate the hex bolt head CW to draw plus nut flanges up (set the plusnut).

**Installation and/or Assembly Fasteners
BAG54663**

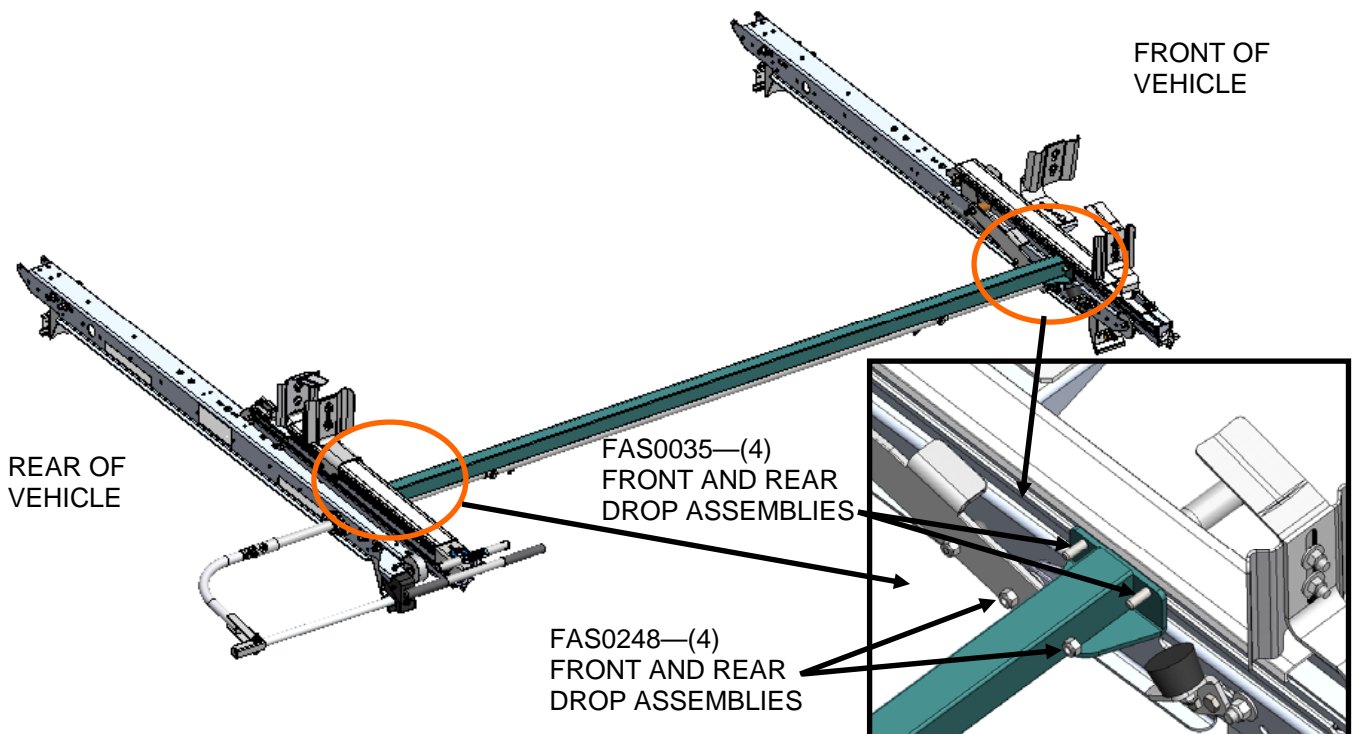
ITEM NO.	PART NUMBER	DESCRIPTION	BAG54663/QTY.
1	BAG0406-A	4" x 6" 3MIL AUTOBAG	1
2	FAS0598	U-Bolt, square, 5/16-18 2.12x2.75	1
3	FAS0248	Nut, Nylon Insert Lock, 5/16-18 SST	8
4	FAS0552	Washer, Flat, 5/16, SST	6
5	FAS0035	BOLT,SQ HD,5/16-18X1.0 SS	4
6	FAS0830	Screw, Hex Hd, 5/16-18 X 1.25 SS	2



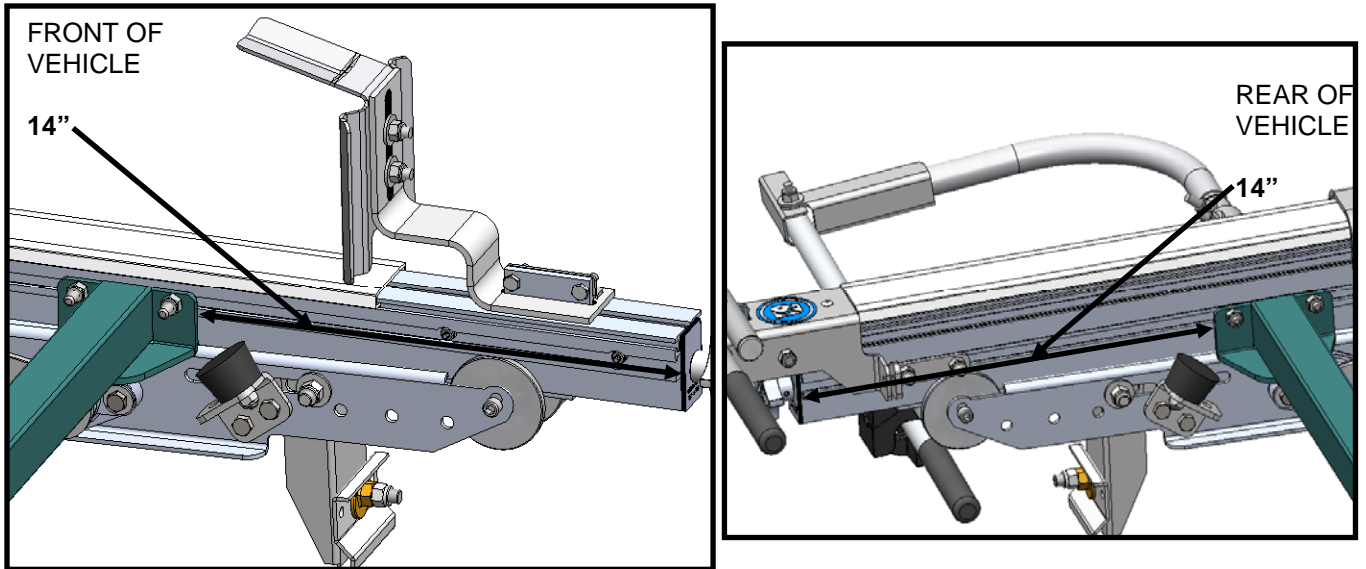
Step 01 Unfasten the 4 nuts that hold the stub shafts to the front and rear primary drop assemblies. Remove both the ladder assist tube and the (2) stub shafts from the ladder rack. If the ladder assist tube and stub shafts are not yet on the ladder rack, skip to step 2.



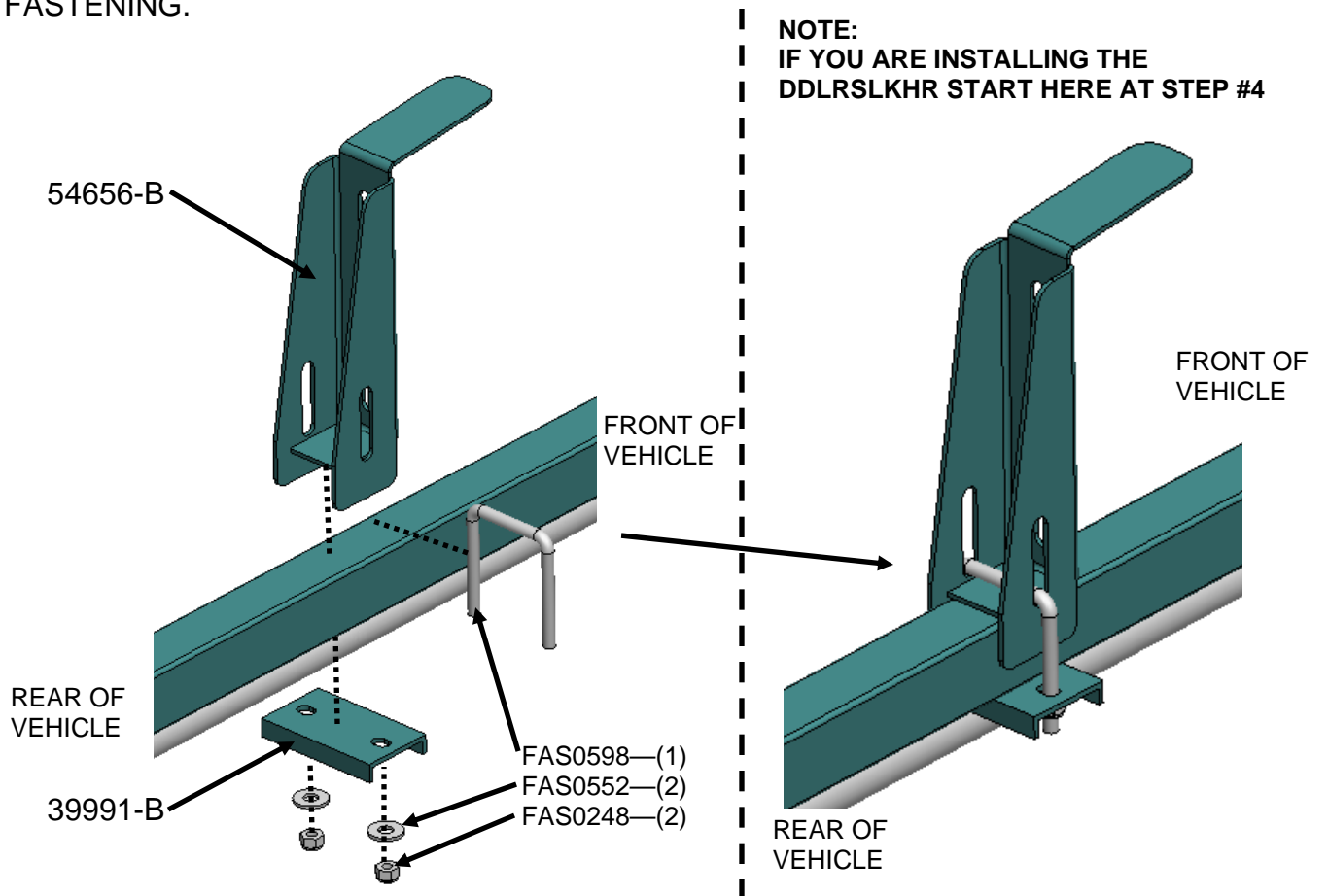
Step 02 REPLACE THE STUB SHAFTS AND LADDER ASSIST TUBE WITH THE SLK CROSSBEAM (54660). USE THE NEW FAS0248 NYLOCK NUTS TO SECURE THE CROSSBEAM, THE SQUARE HEAD BOLTS IN THE DROP ASSEMBLIES MAY BE RE-USED OR REPLACED. NOTE—DO NOT TIGHTEN FASTENERS.



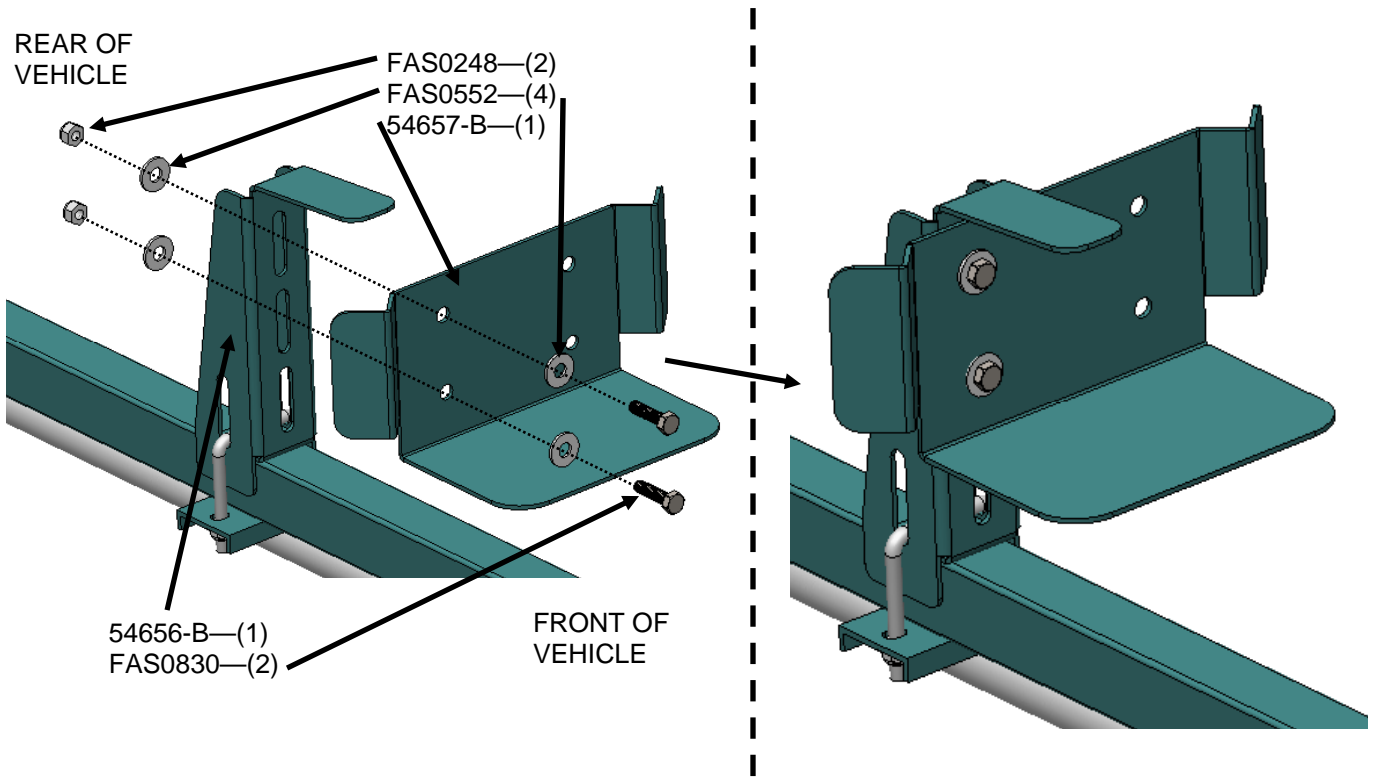
Step 03 TIGHTEN THE FASTENERS WITH THE CROSSBEAM 14" FROM THE END OF THE DROP ASSEMBLY (FRONT AND REAR DROP ASSEMBLIES), AS SEEN BELOW.



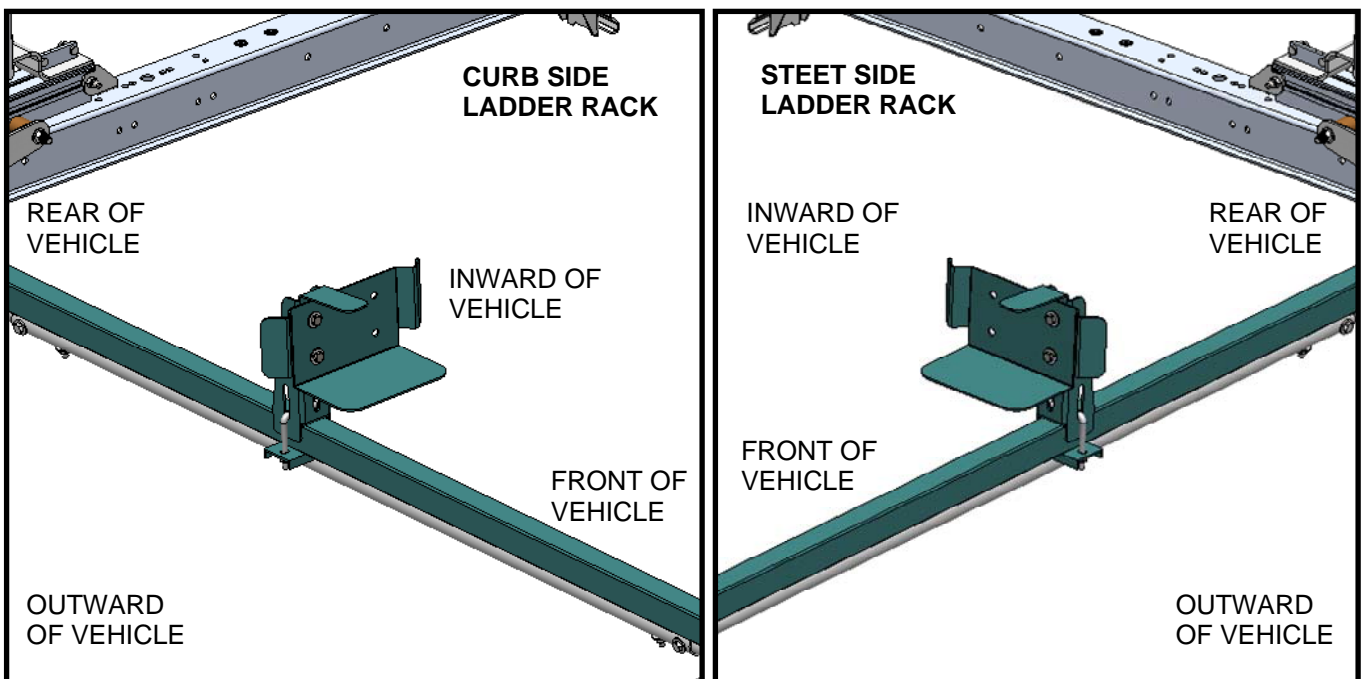
Step 04 INSTALL THE SLK UPRIGHT BRACKET (54656-B) TO THE CROSSBEAM (54660). SEE BELOW. **NOTE—DO NOT FULLY TIGHTEN U BOLT FASTENERS, THE ASSEMBLY WILL NEED TO BE ADJUSTED FOR YOUR STEP LADDER BEFORE FULLY FASTENING.**



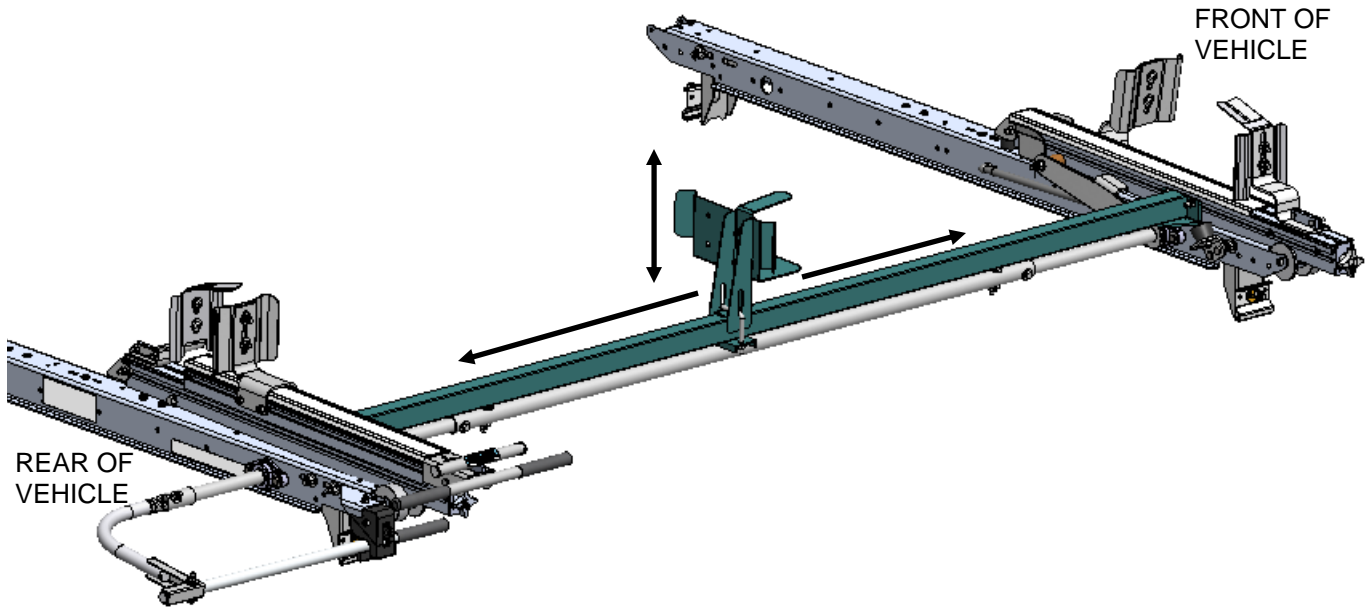
Step 05-A ASSEMBLE THE SLK LADDER SUPPORT (54657-B) TO THE SLK UPRIGHT BRACKET (54656-B). **NOTE—DO NOT TIGHTEN**, USE THE SLOTS TO ADJUST THE LADDER SUPPORT SNUGGLY TO THE RUNG OF THE STEP LADDER.



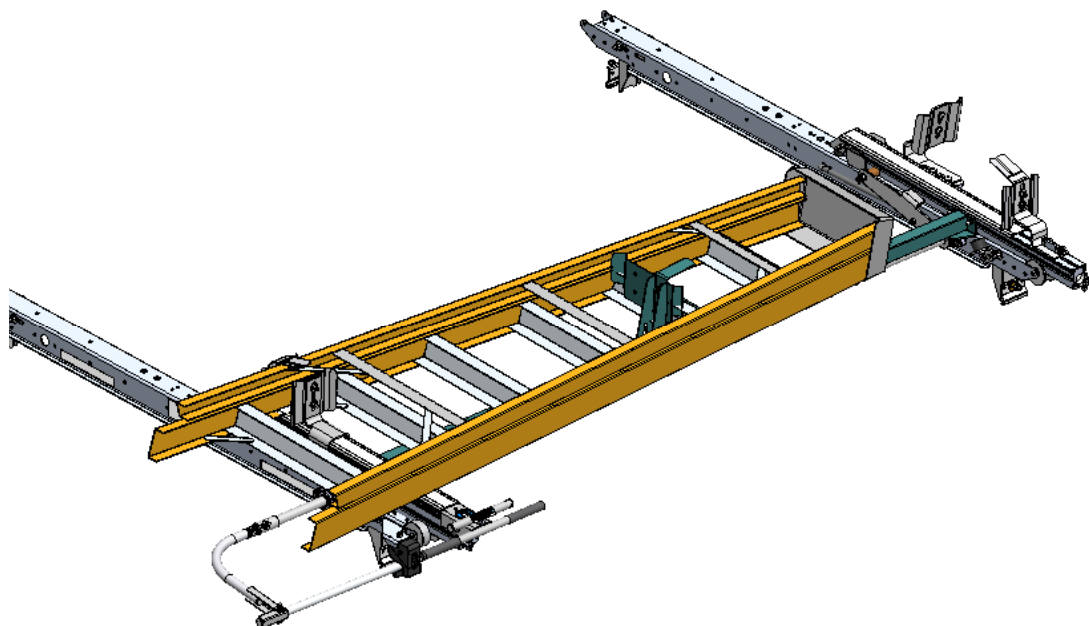
Step 05-B WHEN INSTALLING THE SLK LADDER SUPPORT MAKE SURE TO USE THE HOLES TO THE OUTSIDE OF THE VEHICLE (DEPENDING ON IF THE STEP LADDER KIT IS USED ON THE CURB OR STREET SIDE OF THE VEHICLE. SEE BELOW FOR ASSEMBLY ORIENTATION.



Step 06 ADJUST THE STEP LADDER BRACKETS FORWARD/BACKWARD AND UP/DOWN DEPENDING ON LADDER RUNG SPACING AND HEIGHT. THE STEP LADDER BRACKETS SHOULD FIT THE LADDER TIGHTLY TO AVOID VIBRATION, BUT SHOULD BE LOOSE ENOUGH TO LOAD/REMOVE THE LADDER WITHOUT BINDING.

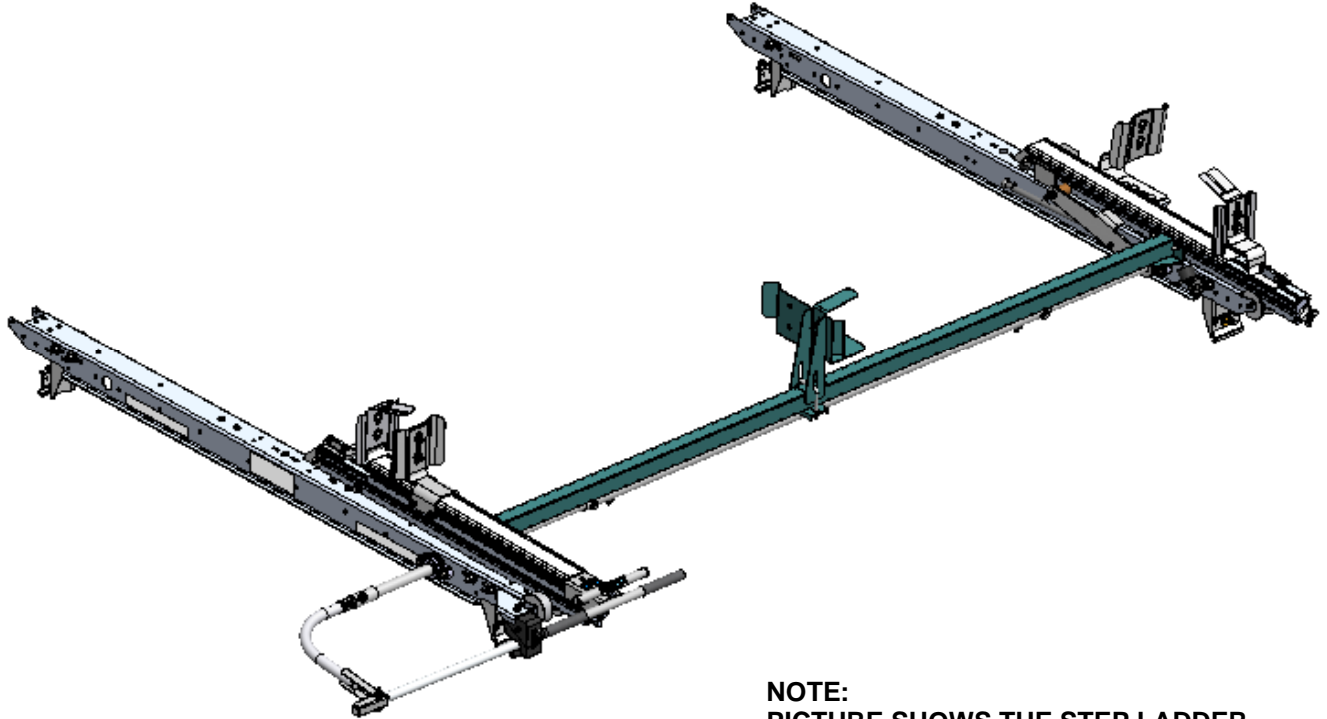


Step 07 ONCE THE STEP LADDER BRACKETS HAVE BEEN ADJUSTED TO FIT YOUR LADDER, THIGHTEN THE ALL THE FASTENERS TO LOCK THE ASSEMBLY IN PLACE.





INSTALLATION IS NOW COMPLETE!



NOTE:
PICTURE SHOWS THE STEP LADDER
KIT ON THE LOW ROOF DDLR LADDER
RACK. IF YOU ARE INSTALLING THE
DDLRSLKHR YOUR INSTALLATION
MAY LOOK DIFFERENT.

NOTE:
AS SHOWN ABOVE , CURBSIDE IS THE DEFUALT LOCATION OF THE
STEP LADDER KIT.

**DOUBLE CHECK ALL FASTENERS LOCATIONS TO BE SURE THAT ALL
FASTENERS ARE TIGHTENED TO SPECIFICATIONS.
YOUR INSTALLATION IS NOW COMPLETE!
STOW THIS COPY IN THE VEHICLE FOR FUTURE REFERENCES!**