



**PRODUCT WEIGHT**  
150 lbs

**WIDTH x DEPTH x HEIGHT**  
84" X 113" X 18"

**CAPACITY**  
28 FOOT EXT

**COLOR**  
Aluminum / Black

**CATALOG NUMBER**  
DDL63GM2

**PRODUCT FEATURES**

This double drop down rack and roof cross-bow kit is designed to fit the GM FSV. The drop down will carry 20 to 28 foot extension ladders, and 10-12 foot step ladders. Step ladders shorter than 10' require DDLRSLK2 step ladder kit. Step ladders wider than 26" at the base require the wide step ladder add on, part 57107. Ladders with extensive gussets or platform step ladders may not be compatible with the rack.

**The cross-bow kit is secured to the drip rail on your GM FSV.**

**SEE PAGE 2 FOR APPLICATION NOTES AND ACCESSORIES, OTHER PRODUCTS THAT WORK WITH THIS UNIT.**

**CATALOG NUMBER**      **DDL63GM2**

**PRODUCT APPLICATION**

**This Double drop down unit is designed to fit the GM FSV.**

**ACCESSORIES THAT WILL WORK WITH THIS PRODUCT**

**CATALOG NUMBER**

**DESCRIPTION**

**DDL63SLK2      STEP LADDER KIT**

**69-DDCSGM      DDLR EXTENSION, CURB SIDE-32 FOOT EXTENSION LADDER**

**69-DDSSGM      DDLR EXTENSION, STREET SIDE-32 FOOT EXTENSION LADDER**

**80-1LR      CONDUIT KITS, ALUMINUM**  
**80-2LR**

**70-1LR      CONDUIT KITS, PVC**  
**70-2LR**

**57107      DDLR WIDE STEP LADDER KIT-ADD ON PIECE**

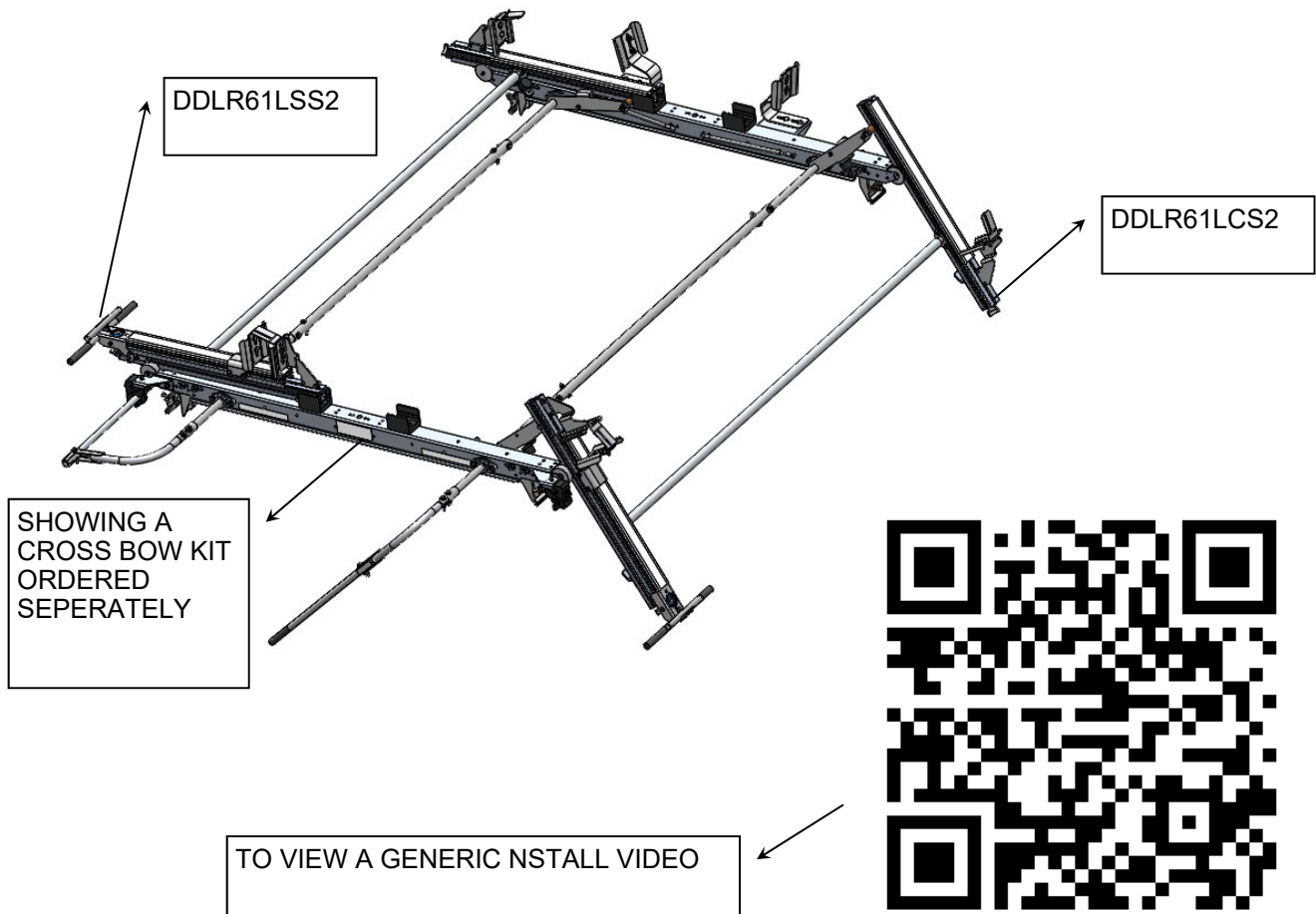
**SPECIAL APPLICATION NOTES**

**Introduction / Comments:**

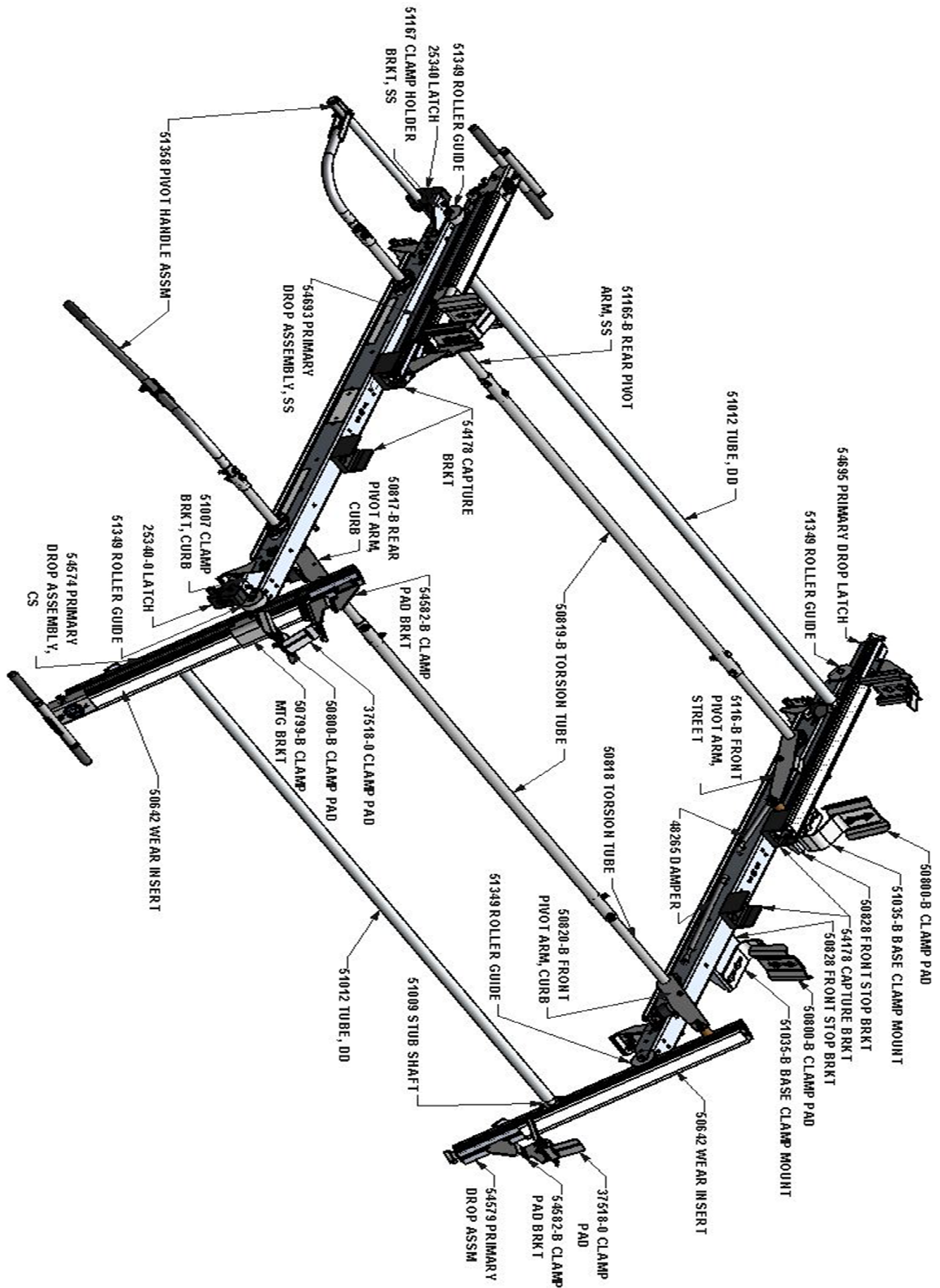
THIS DROP DOWN UNIT IS CURB SIDE, STREET SIDE SPECIFIC. THE DROP DOWN IS FOR THE GM FSV. THIS DROP DOWN LADDER RACK IS DESIGNED TO ADAPT TO AN ADRIAN STEEL CROSS BOW KIT SPECIFIC TO THIS VEHICLE.

**Note:**

It is advised that all fasteners used in this assembly and installation of this Rack should be checked for tightness at the following intervals: @ 2-weeks and again @ 6-weeks of operation. This preventive maintenance step must be completed to ensure your package gives you long service life.



**DDL61GM2 / DDL63GM2  
DROP DOWN LADDER RACK, STREET, CURB  
VARIOUS LOW ROOF VANS**



## - PRECAUTIONS -





 **CAUTION**   
**THE USE OF AIR IMPACT TOOLS CAN  
OVER-TORQUE FASTENERS AND  
CAUSE FASTENER FAILURE!**



 **CAUTION**   
**ALL INSTALLATION HOLES SHOULD BE SEALED  
WITH SILICON OR BUTYL SEALANT TO PREVENT  
EXHAUST FUMES FROM ENTERING THE VEHICLE!**



 **DANGER**   
**INSPECT FOR FUEL TANK, FUEL LINES, BRAKE LINES, HIGH  
VOLTAGE BATTERIES AND ELECTRICAL LINES PRIOR TO  
DRILLING TO AVOID DAMAGING CRITICAL VEHICLE SYSTEMS  
OR INJURY TO INSTALLER DURING INSTALLATION PROCESS!**



 **CAUTION**   
**TO AVOID DAMAGING THE VEHICLE ALWAYS  
USE DRILL STOPS WHEN DRILLING ANY IN-  
STALLATION HOLES!**



## - IMPORTANT WARRANTY REQUIREMENTS -

1. SUBSTITUTING ADRIAN STEEL SPECIFIED FASTENERS FOR ASSEMBLY AND/OR INSTALLATION WILL VOID YOUR PRODUCT WARRANTY.
2. ALL HOLES DRILLED INTO VEHICLE SHOULD HAVE THE RAW METAL EDGES SEALED WITH A SELF-ETCHING PRIMER TO RESIST CORROSION AND POTENTIAL FASTENER POINT FAILURE.
3. ALL FASTENERS USED IN THE INSTALLATION OF THIS PRODUCT SHOULD BE TIGHTENED TO THE TORQUE(S) SPECIFIED IN THESE INSTRUCTIONS.
4. THESE INSTRUCTIONS SHOULD BE KEPT WITH THE VEHICLE.

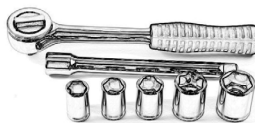
### THE BASIC TOOLS NEEDED FOR MOST INSTALLATIONS



DRILL



DRILL BIT WITH  
STOP



RATCHET, SOCKETS  
AND/OR WRENCHES



SCREWDRIVERS

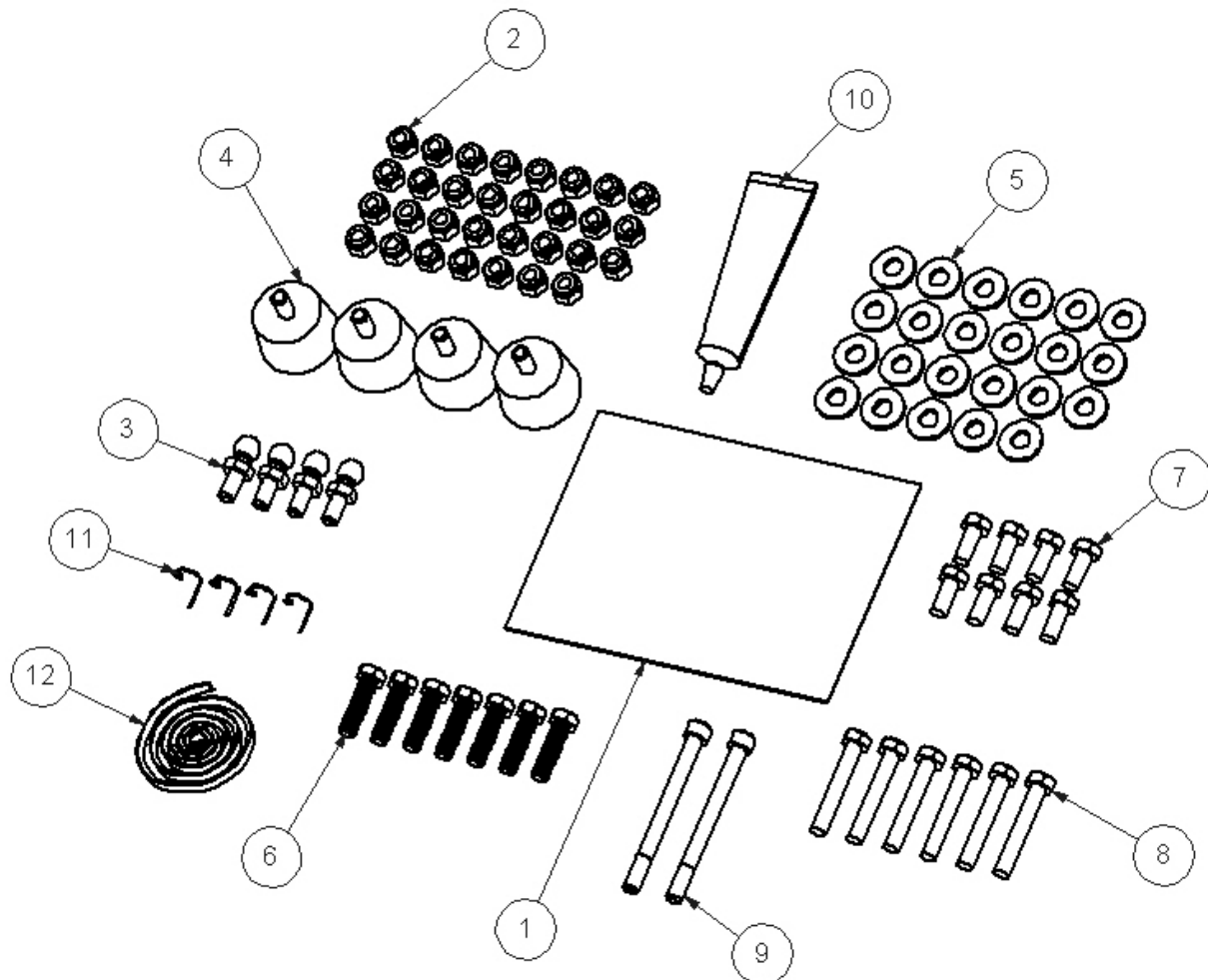


MEASURING TAPE

ADDITIONAL TOOLS MAY BE NEEDED FOR THIS INSTALLATION AND THEY WILL BE IDENTIFIED IN THE STEPS THAT FOLLOW.

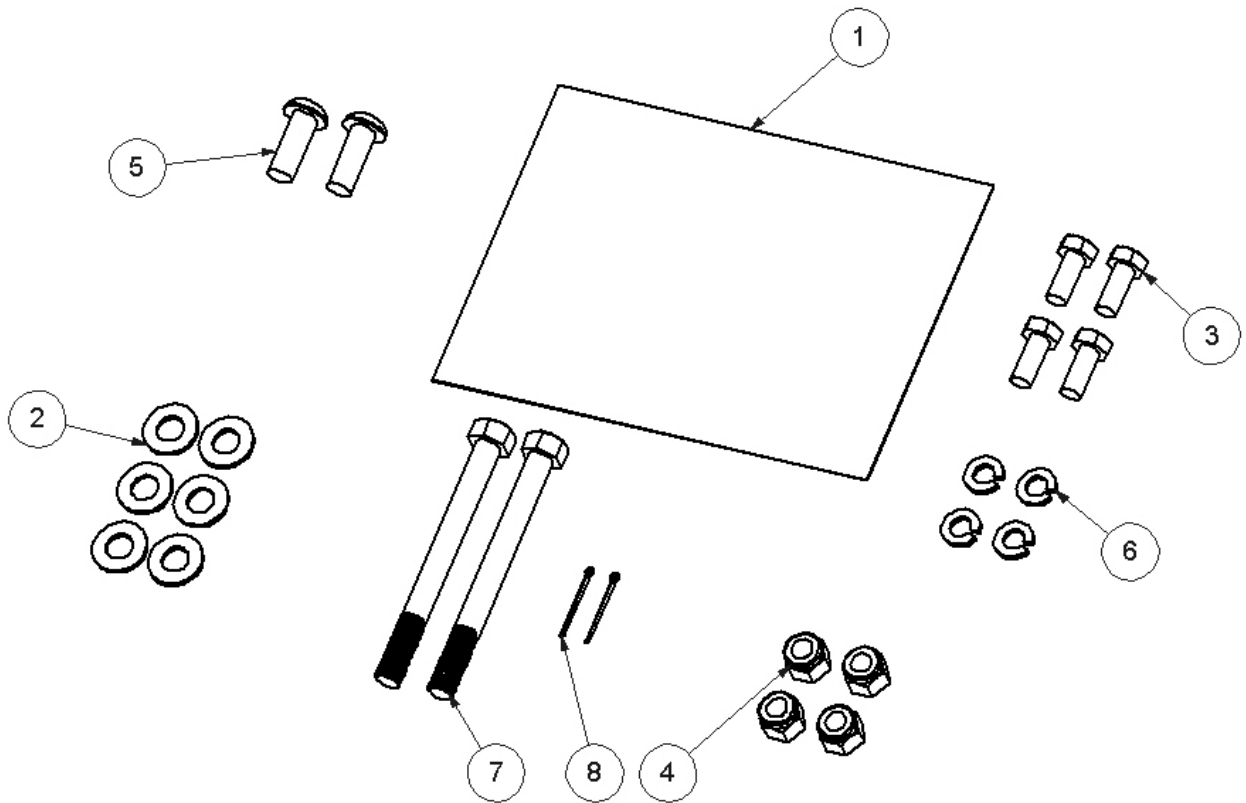
BAG51043 - DROP DOWN ASSEMBLY BAG

ITEM NO.	PART NUMBER	DESCRIPTION	QTY.
1	BAG0507-A	5" x 7" 3MIL AUTOBAG	1
2	FAS0248	Nut, Nylon Insert Lock, 5/16-18 SST	31
3	34927-0	Ball Stud, Damper	4
4	34924-0	Neoprene Bumper	4
5	FAS0552	Washer, Flat, 5/16, SST	23
6	FAS0830	Screw, Hex Hd, 5/16-18 X 1.25 SS	7
7	FAS0799	Screw, Hex Hd, 5/16-18x0.75 SS	8
8	FAS0179	Screw, Hex Hd, 5/16-18x2.00 STAINLESS STEEL	6
9	FAS0811	SCREW,CAP, 5/16-18X3.50 SS	2
10	26618-0	Silicone Sealant	1
11	34928-0	Clip, Suspa P/N P68-00019	4
12	05586-0	Butyl Tape, T224 -1/2"X 1' Roll	1



**BAG51041—FINAL ASSEMBLY FASTENER BAG**

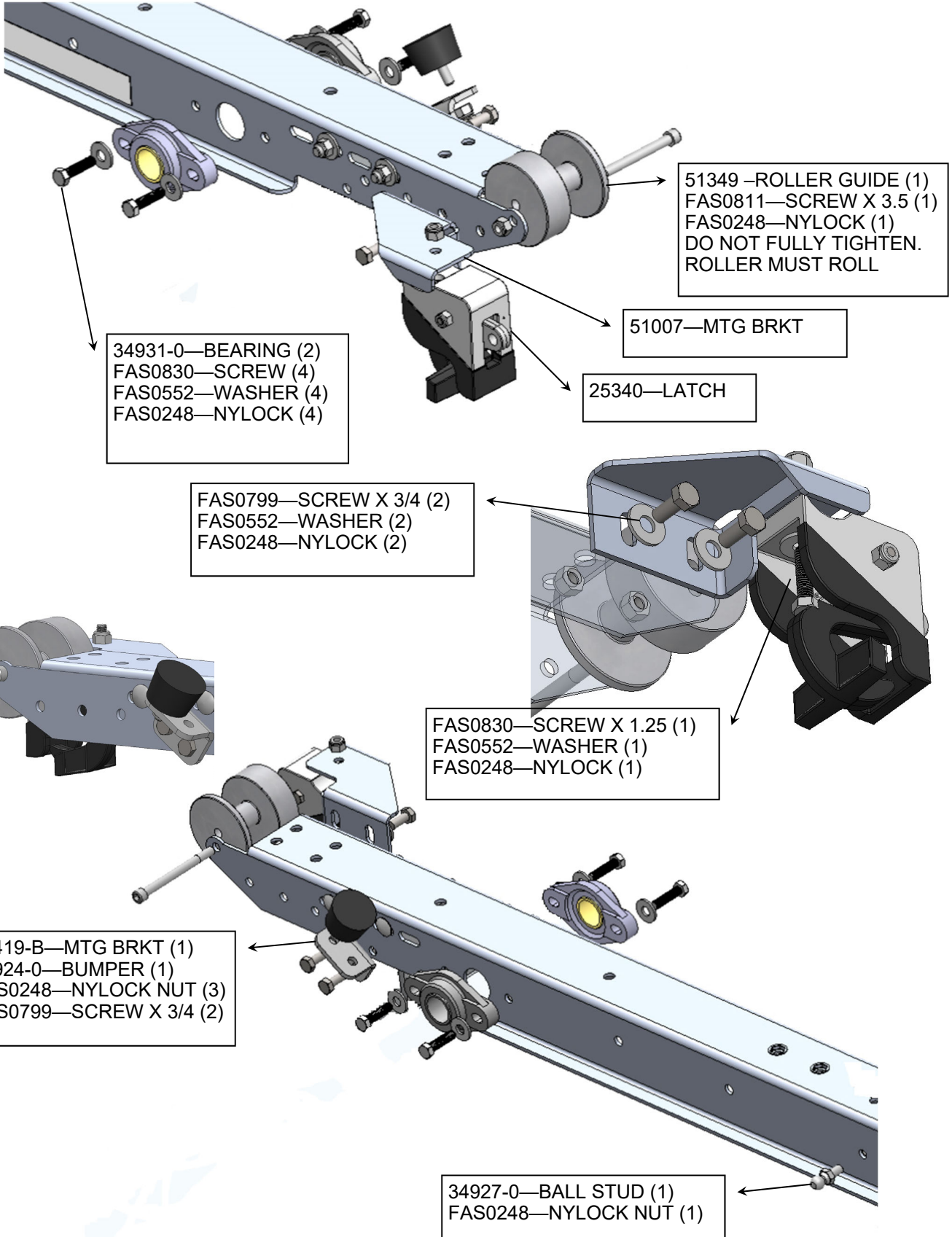
ITEM NO.	PART NUMBER	DESCRIPTION	QTY.
1	BAG0507-A	5" x 7" 3MIL AUTOBAG	1
2	FAS0246	Washer, Flat, 3/8, HRD, ZN	6
3	FAS0799	Screw, Hex Hd, 5/16-18x0.75 SS	4
4	FAS0110	Nut, Hex Nylk 3/8-16 SS W	4
5	FAS0572	Screw, Button Hd Hex Soc, 3/8-16x1.00 NI-ZN	2
6	FAS0588	Washer, Lock, Split, 5/16, SS	4
7	FAS0286	SCREW, HHCS, 3/8-16x4, SS	2
8	FAS0287	COTTER PIN, 1/16DIA X 1"LG, SS	2





**STEP #1 : ASSEMBLE CURB SIDE REAR CROSS BOW**

**REAR OF THE VAN**

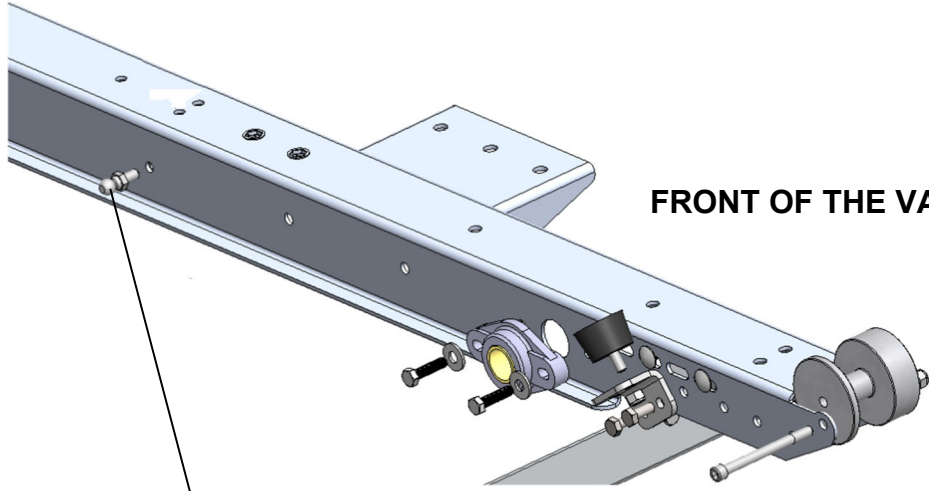
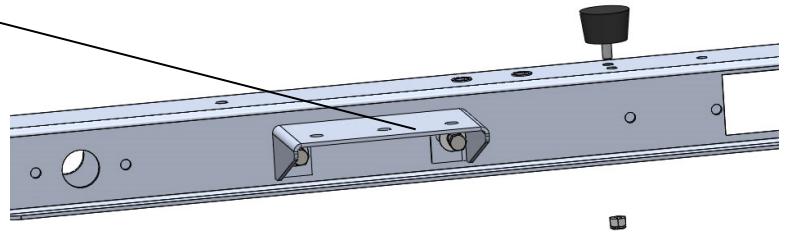






**STEP #2 : ASSEMBLE CURB SIDE FRONT CROSS BOW. DO NOT ATTACH TO THE RAIL YET.**

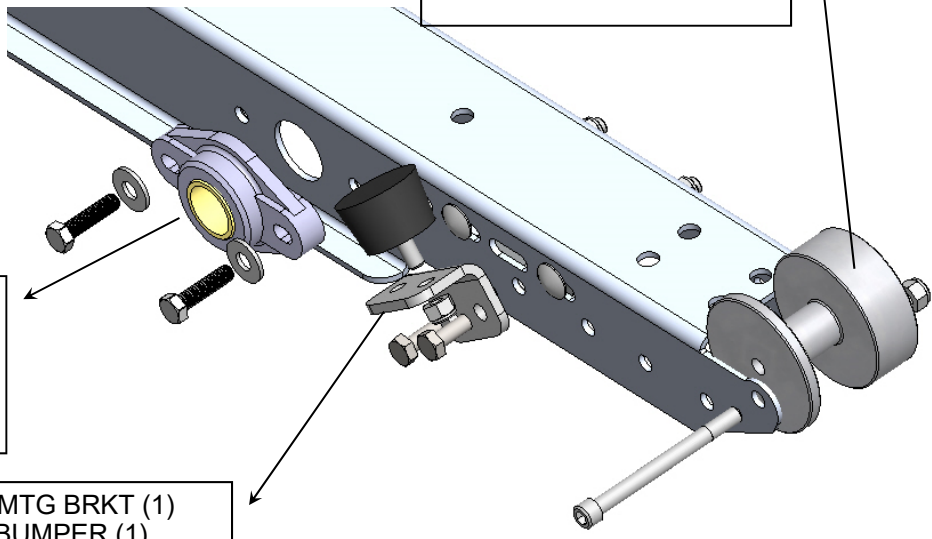
- 50828—MTG PLATE (1)
- FAS0799 -SCREW X 3/4 (2)
- FAS0552—WASHER (2)
- FAS0248—NYLOCK (2)



**FRONT OF THE VAN**

- 34927-0—BALL STUD (1)
- FAS0248—NYLOCK NUT (1)

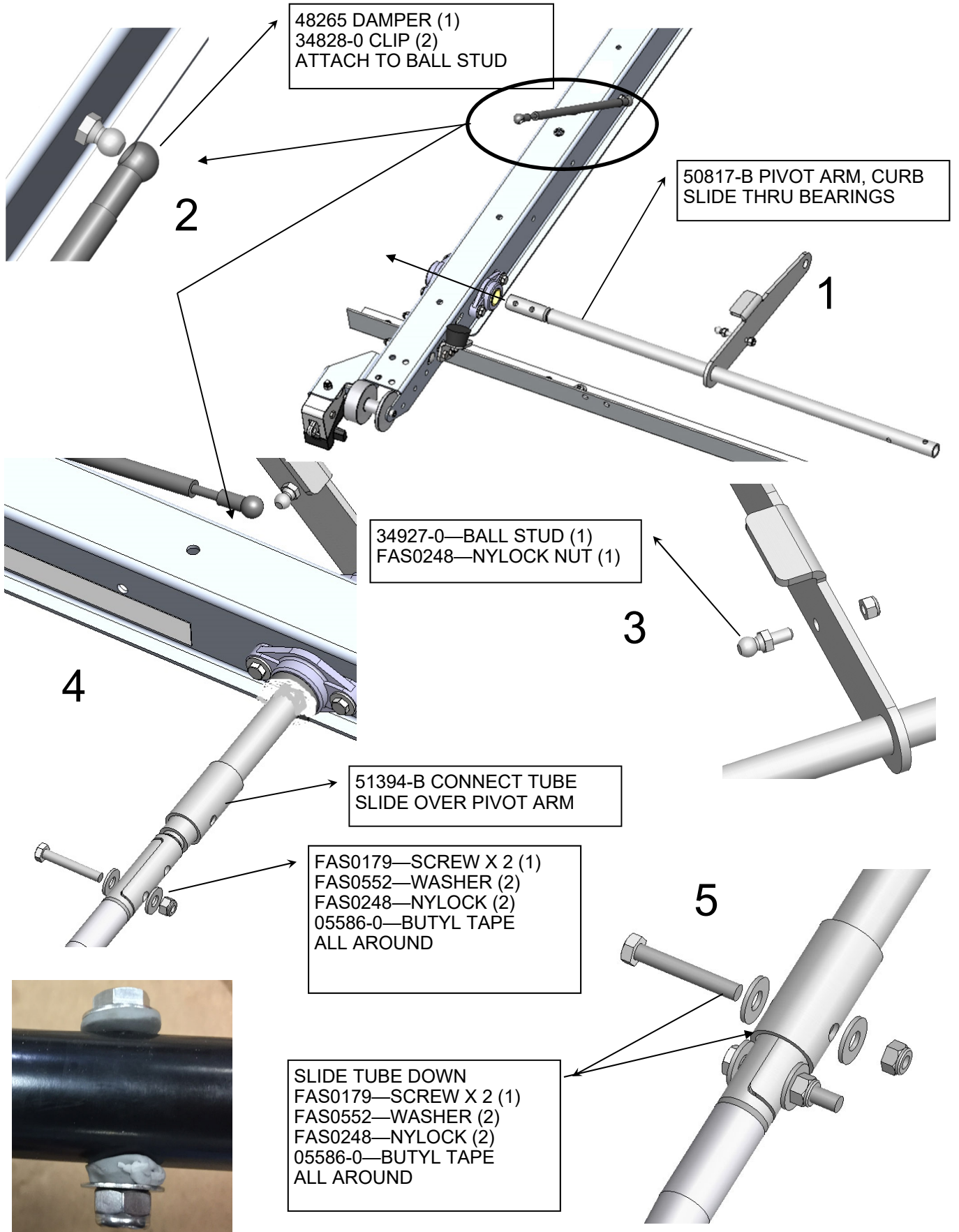
- 51349 –ROLLER GUIDE (1)
- FAS0811—SCREW X 3.5 (1)
- FAS0248—NYLOCK (1)
- DO NOT FULLY TIGHTEN.  
ROLLER MUST ROLL



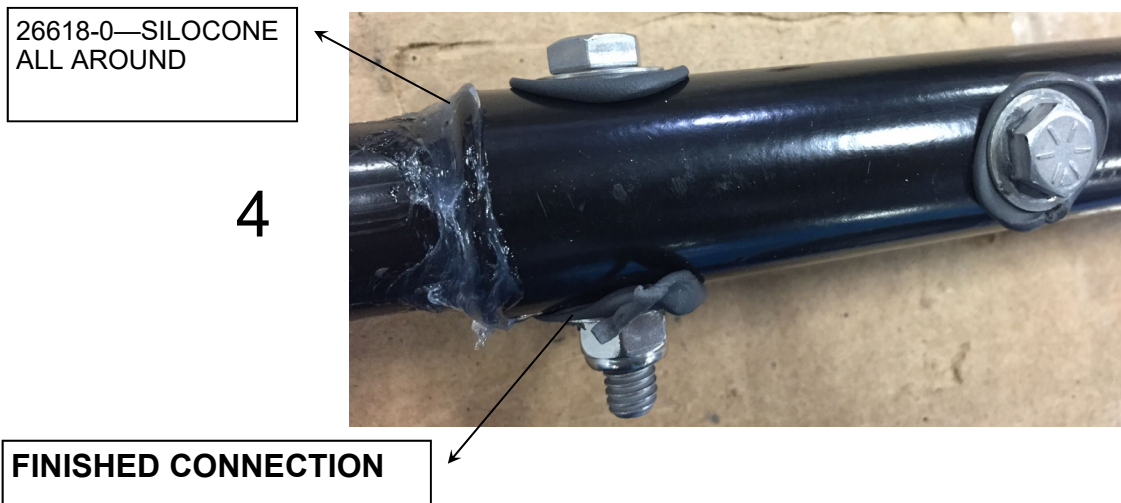
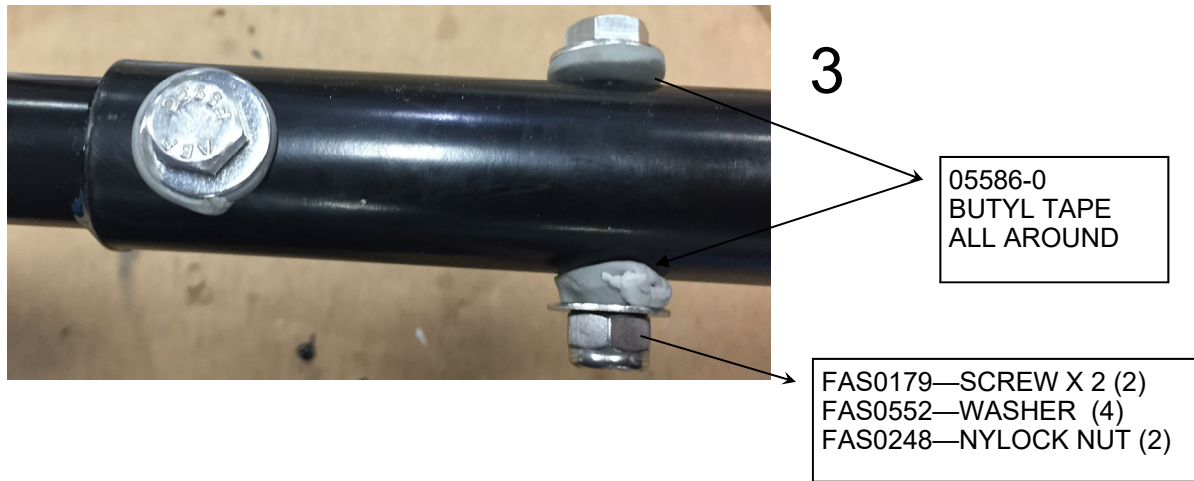
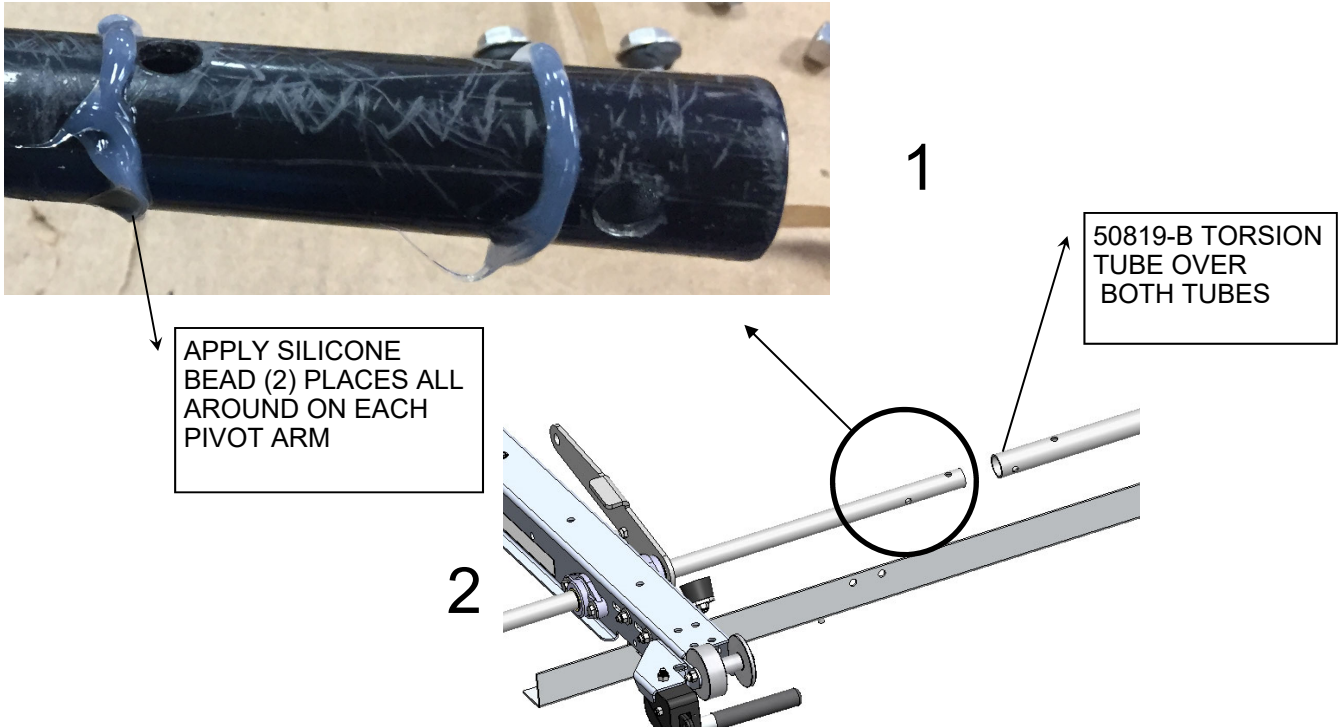
- 34931-0—BEARING (1)
- FAS0830—SCREW (2)
- FAS0552—WASHER (2)
- FAS0248—NYLOCK (2)

- 40419-B—MTG BRKT (1)
- 34924-0—BUMPER (1)
- FAS0248—NYLOCK NUT (3)
- FAS0799—SCREW X 3/4 (2)

**STEP #3 : ASSEMBLE CURB SIDE PIVOT DRIVE TO THE CROSS BOWS**



**STEP #4A : ASSEMBLE CURB SIDE PIVOT DRIVE AT REAR OF VEHICLE.**



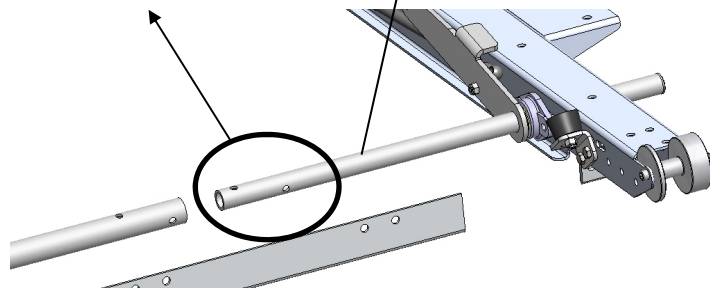
**STEP #4B : ASSEMBLE CURB SIDE PIVOT DRIVE AT FRONT OF VEHICLE**



APPLY SILICONE BEAD (2) PLACES ALL AROUND ON EACH PIVOT ARM

5

50817-B—PIVOT ARM, CS



6



7

05586-0 BUTYL TAPE ALL AROUND

FAS0179—SCREW X 2 (4)  
FAS0552—WASHER (8)  
FAS0248—NYLOCK NUT (4)

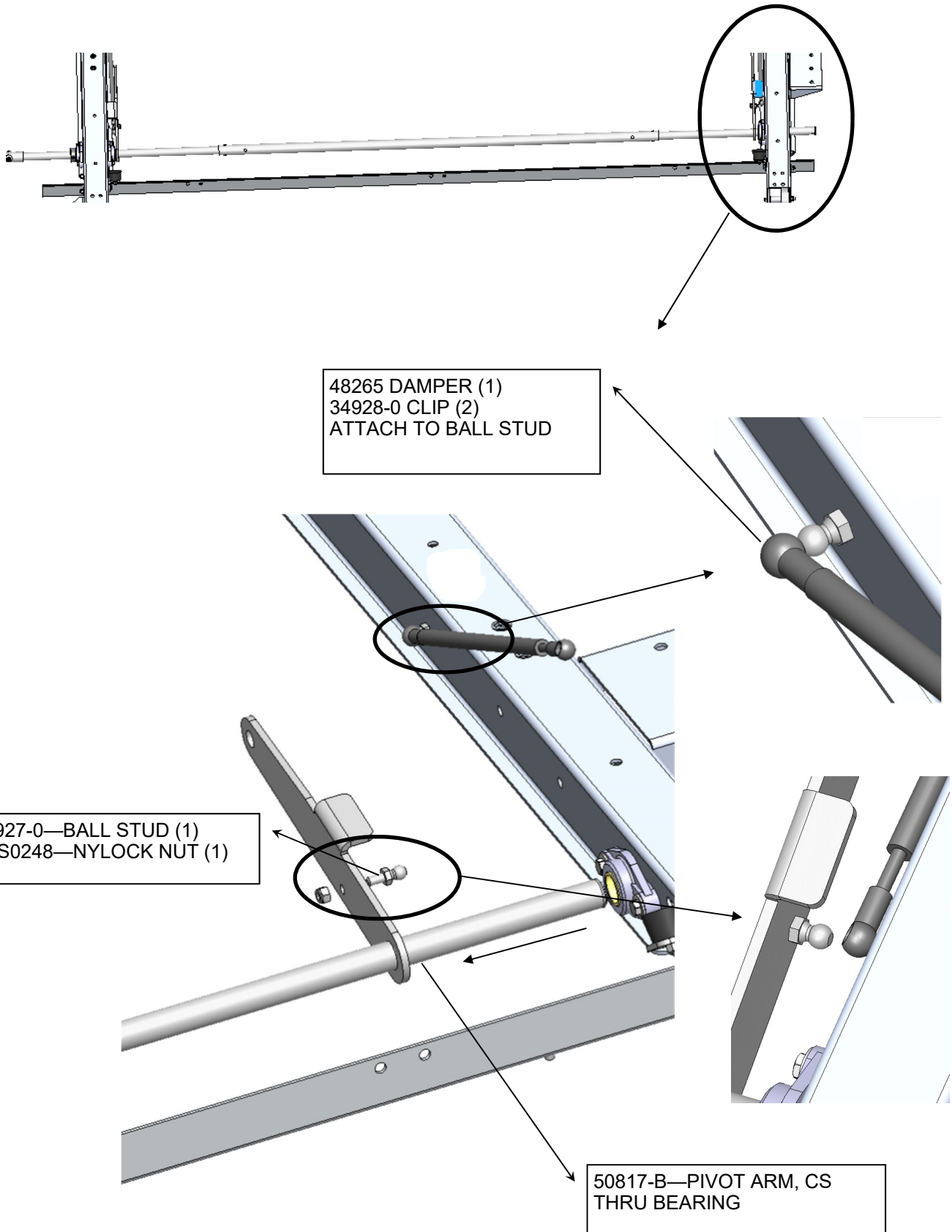
26618-0—SILOCONE ALL AROUND

8



**FINISHED CONNECTION**

**STEP #4C : ASSEMBLE CURB SIDE PIVOT DRIVE TO THE CROSS BOWS**





**STEP #5 : THIS IS THE FINISHED CURB SIDE PIVOT DRIVE**  
**-CONTINUE TO STEP #11 FOR A COMPLETE ASSEMBLY / INSTALL**  
**-CONTINUE TO STEP #6 FOR THE STREET SIDE PIVOT DRIVE.**

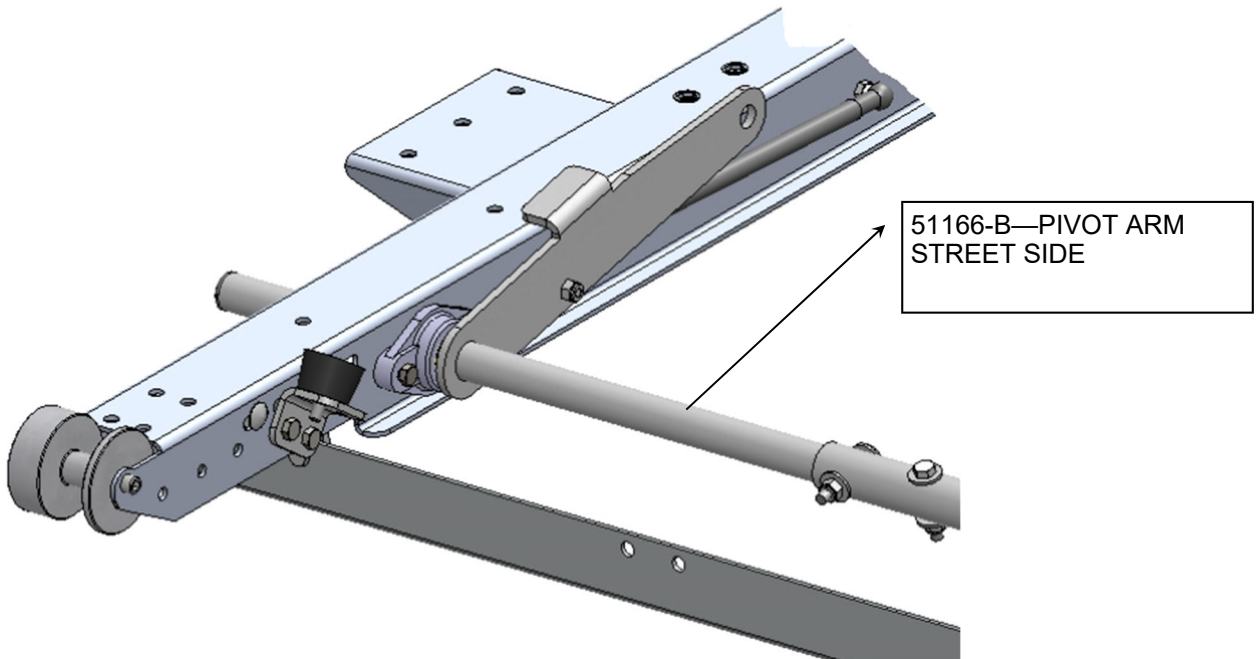
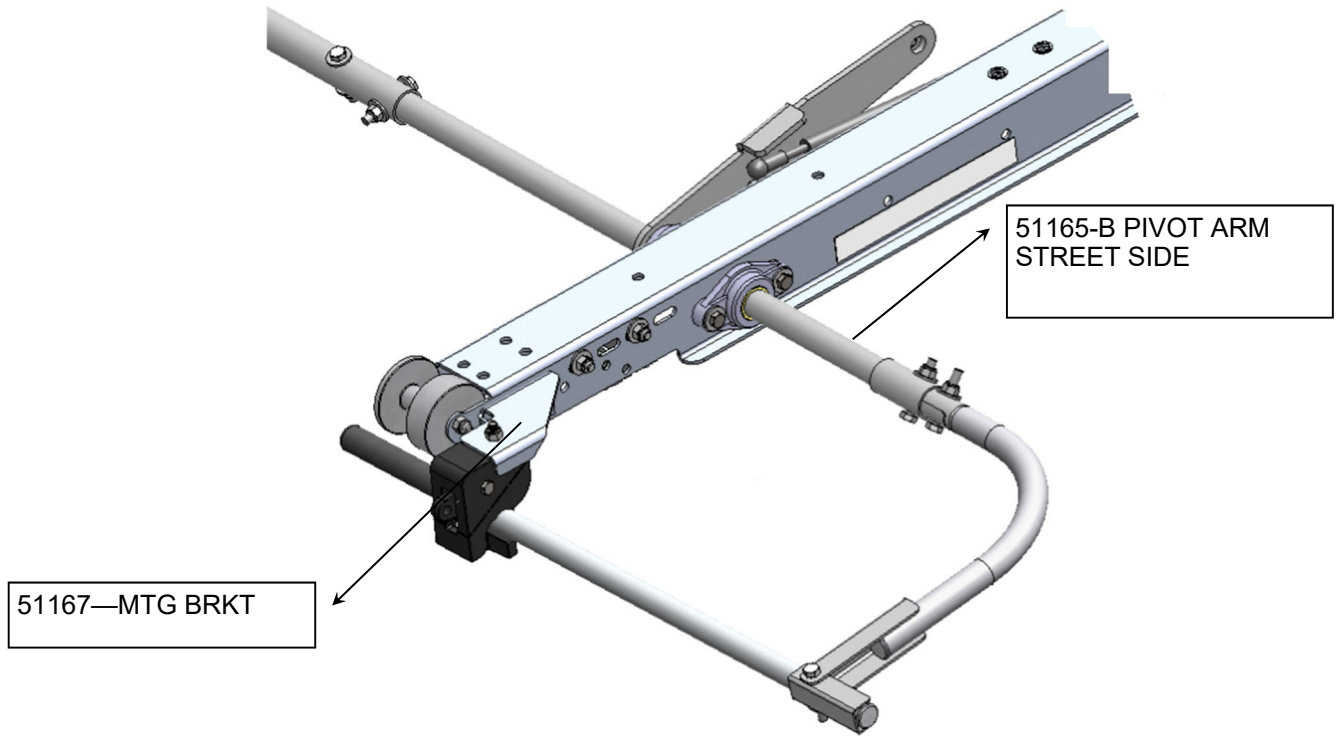


**STEP #6 : THIS IS THE FINISHED CURB SIDE PIVOT DRIVE.**  
**-CONTINUE TO STEP #7 FOR A COMPLETE ASSEMBLY / INSTALL**  
**-CONTINUE TO STEP #9 FOR THE STREET SIDE PIVOT DRIVE**



**STEP #6 THRU #9: ASSEMBLE STREET SIDE REAR CROSS BOW**

**USE STEPS #1 THRU #4 AS YOUR GUIDE—FINAL SHIP THRU STREET SIDE ASSEMBLY SHOWN BELOW**





**STEP #10 : THIS IS THE FINISHED CURB AND STREET SIDE PIVOT DRIVE  
-CONTINUE TO STEP #11 FOR A COMPLETE ASSEMBLY / INSTALL**

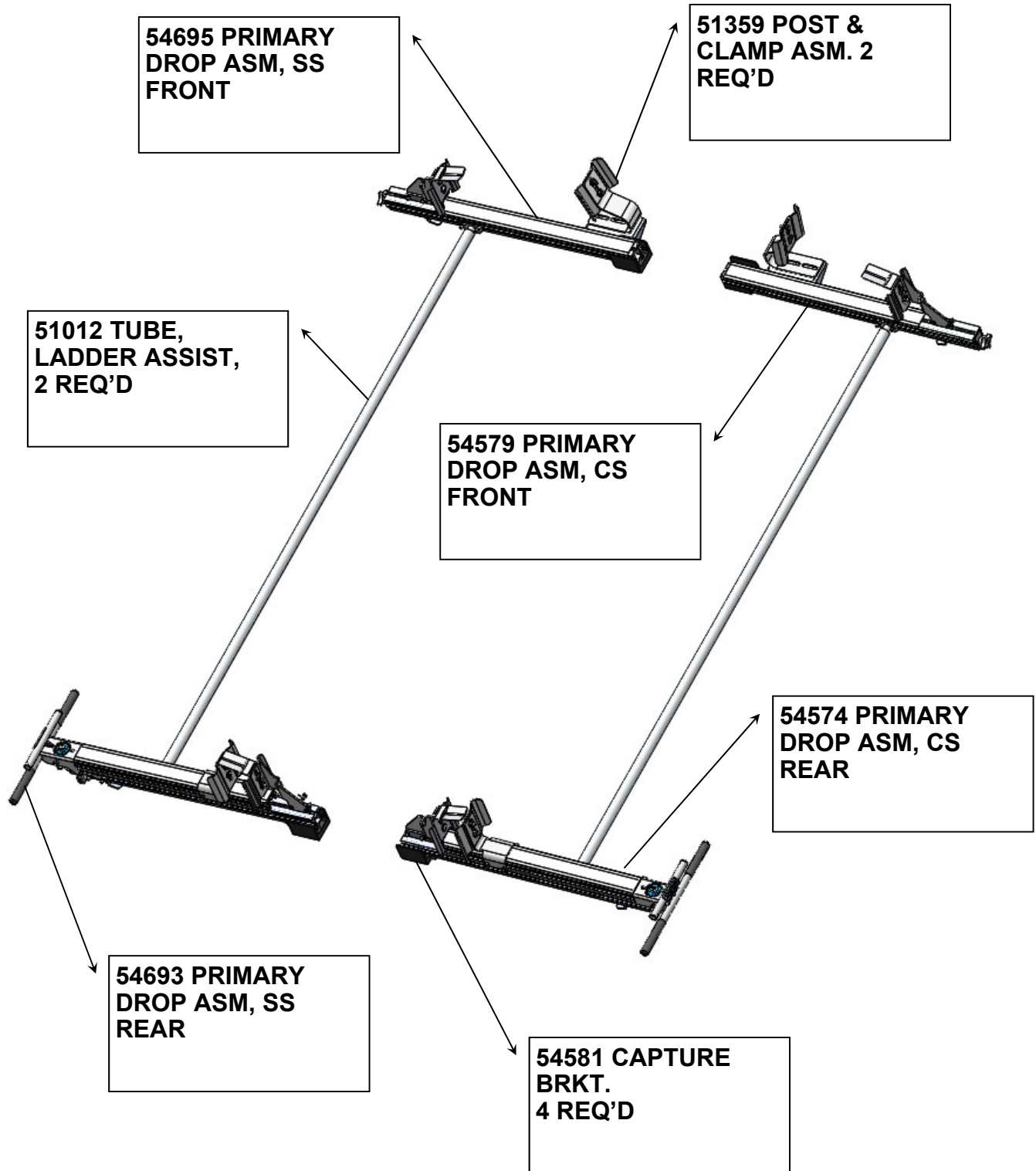


**STEP #10 : THIS IS THE FINISHED CURB AND STREET SIDE PIVOT DRIVE.  
-CONTINUE TO STEP #11 FOR A COMPLETE ASSEMBLY / INSTALL**

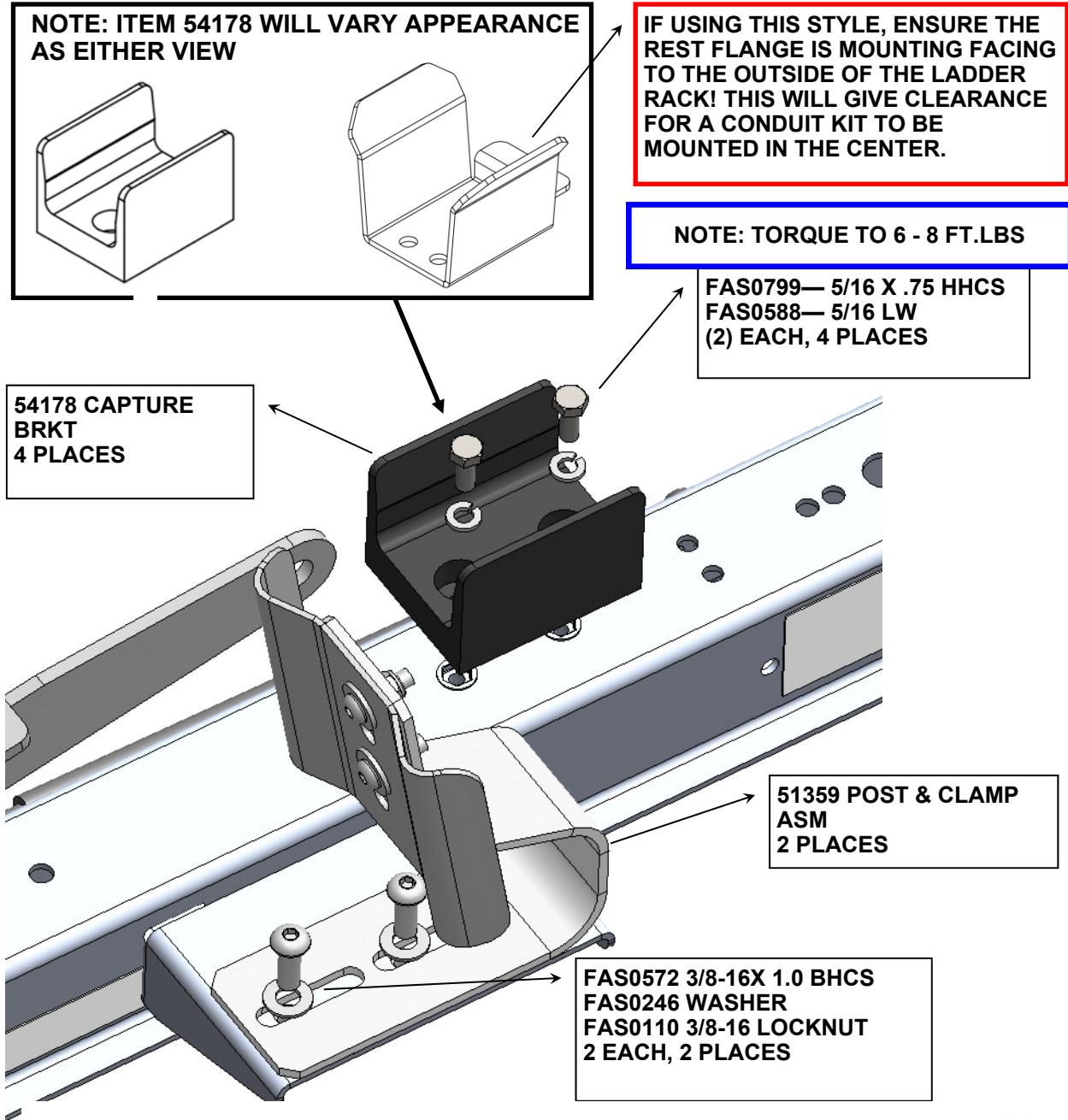




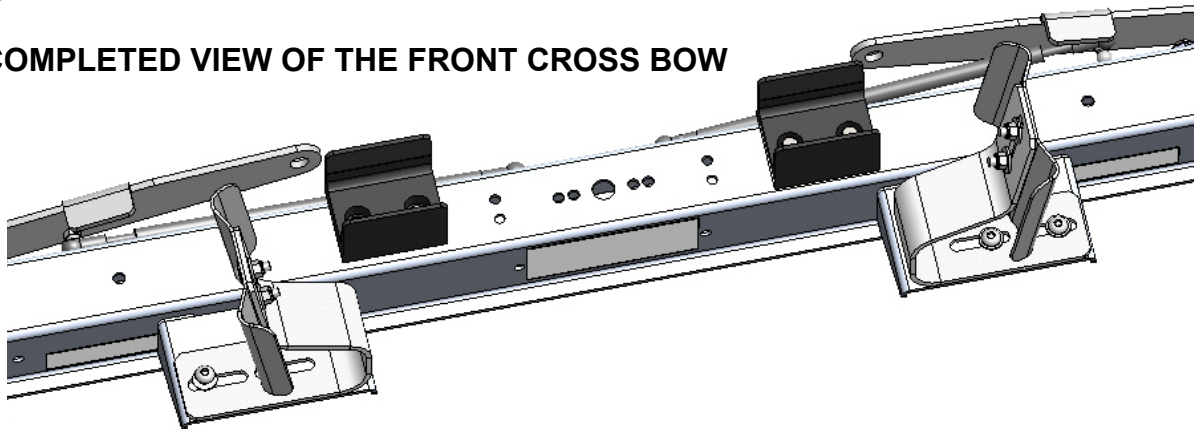
**STEP #11 - THIS IS THE FINAL ASSEMBLY, SHOWING THE CURB AND STREET SIDE DROP DOWN COMPONENTS**



**STEP 12 : ASSEMBLE BRACKETS TO THE FRONT CROSS BOW**

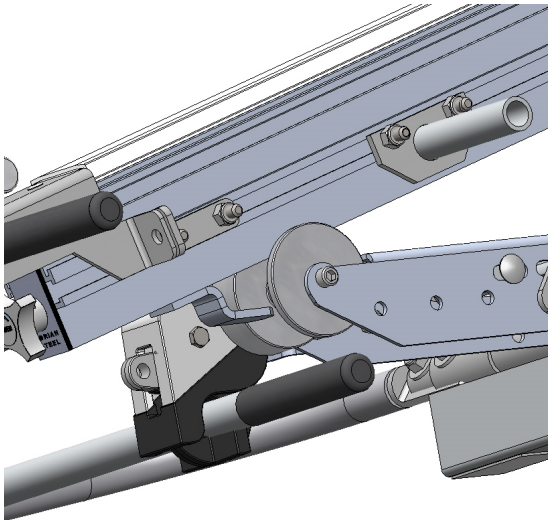


**COMPLETED VIEW OF THE FRONT CROSS BOW**



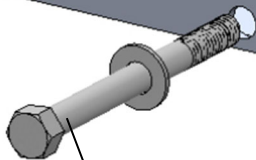
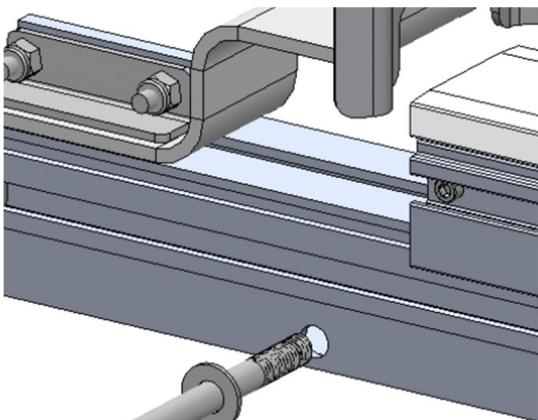
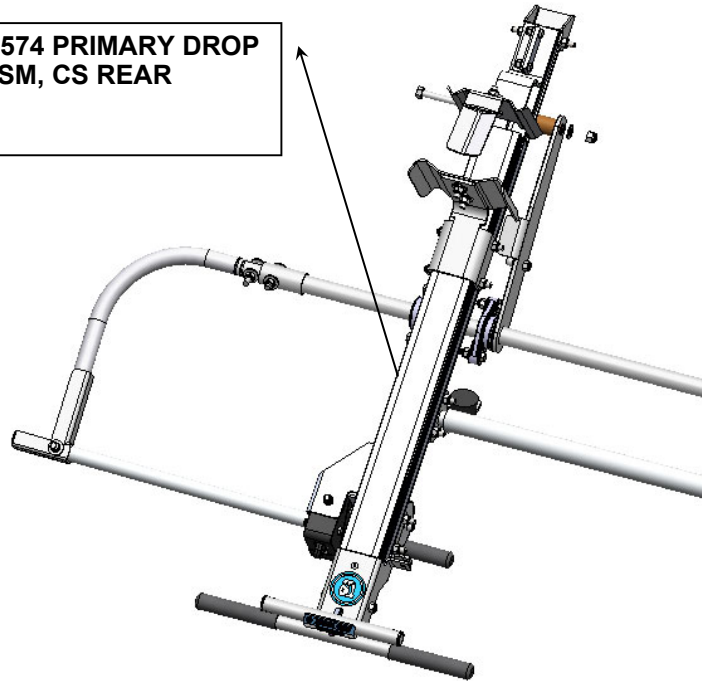
**STEP 13 : ASSEMBLE REAR CURB SIDE PRIMARY DROP TO RACK**

**SET 54574 PRIMARY DROP ASM, REAR CS IN PLACE ON REAR CROSS BOW.  
USE GUIDE ROLLER**

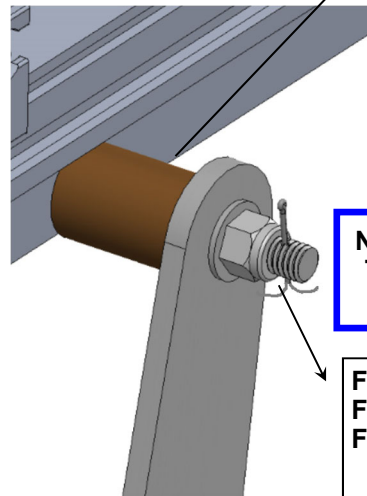


**54574 PRIMARY DROP  
ASM CS REAR**

**54574 PRIMARY DROP  
ASM, CS REAR**



**FAS02826 3/8-16 X 4" HHCS  
FAS0246 WASHER**



**51034 BRONZE  
BUSHING**

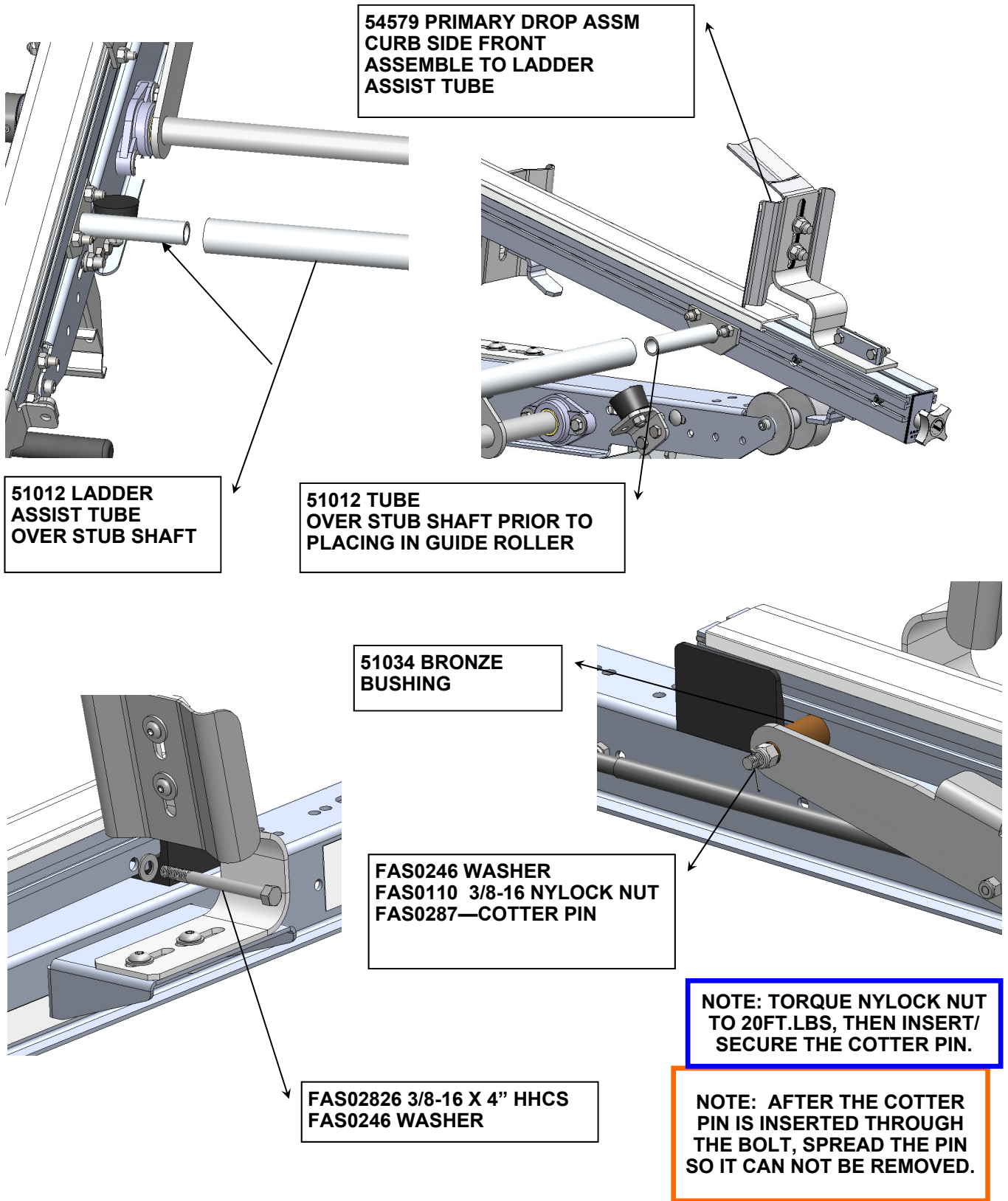
**NOTE: TORQUE NYLOCK NUT  
TO 20FT.LBS, THEN INSERT/  
SECURE THE COTTER PIN.**

**FAS0246 WASHER  
FAS0110 3/8-16 NYLOCK NUT  
FAS0287—COTTER PIN**

**NOTE: AFTER THE COTTER  
PIN IS INSERTED THROUGH  
THE BOLT, SPREAD THE PIN  
SO IT CAN NOT BE REMOVED.**

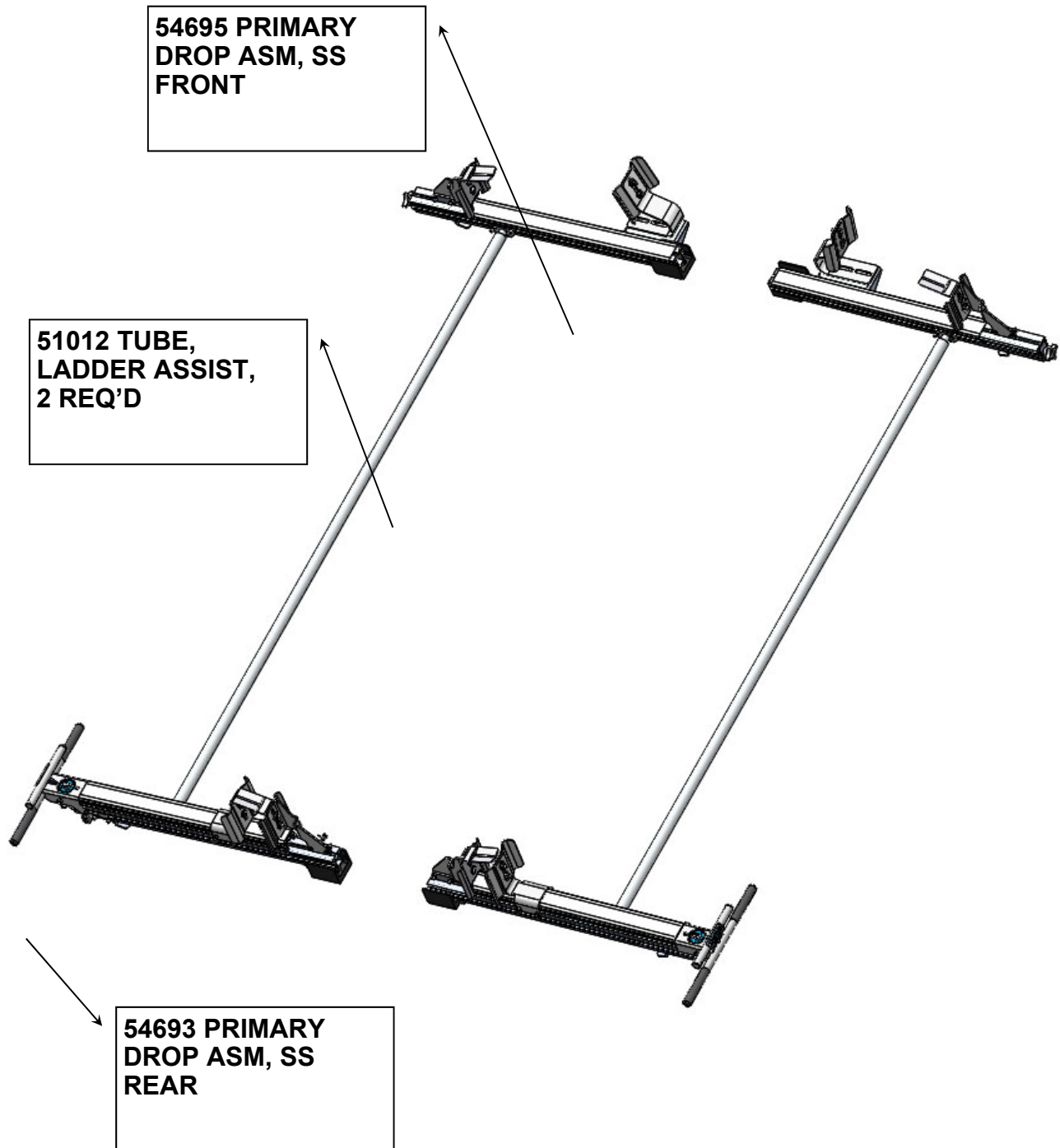
**STEP 14 : ASSEMBLE FRONT SIDE PRIMARY DROP TO RACK**

**SET 54579 PRIMARY DROP ASM, FRONT CS IN PLACE ON FRONT CROSS BOW.  
USE GUIDE ROLLER AFTER LADDER ASSIST TUBE IS ON BOTH STUB SHAFTS**





**STEP #15 : FOR A DOUBLE DROP DOWN, INSTALL STREET SIDE USING STEPS #13 & 14 AS YOUR GUIDE.**



**DOUBLE CHECK ALL FASTENERS LOCATIONS TO BE SURE THAT ALL FASTENERS ARE TIGHTENED TO SPECIFICATIONS.  
YOUR INSTALLATION IS NOW COMPLETE!  
STOW THIS COPY IN THE VEHICLE FOR FUTURE REFERENCES!**



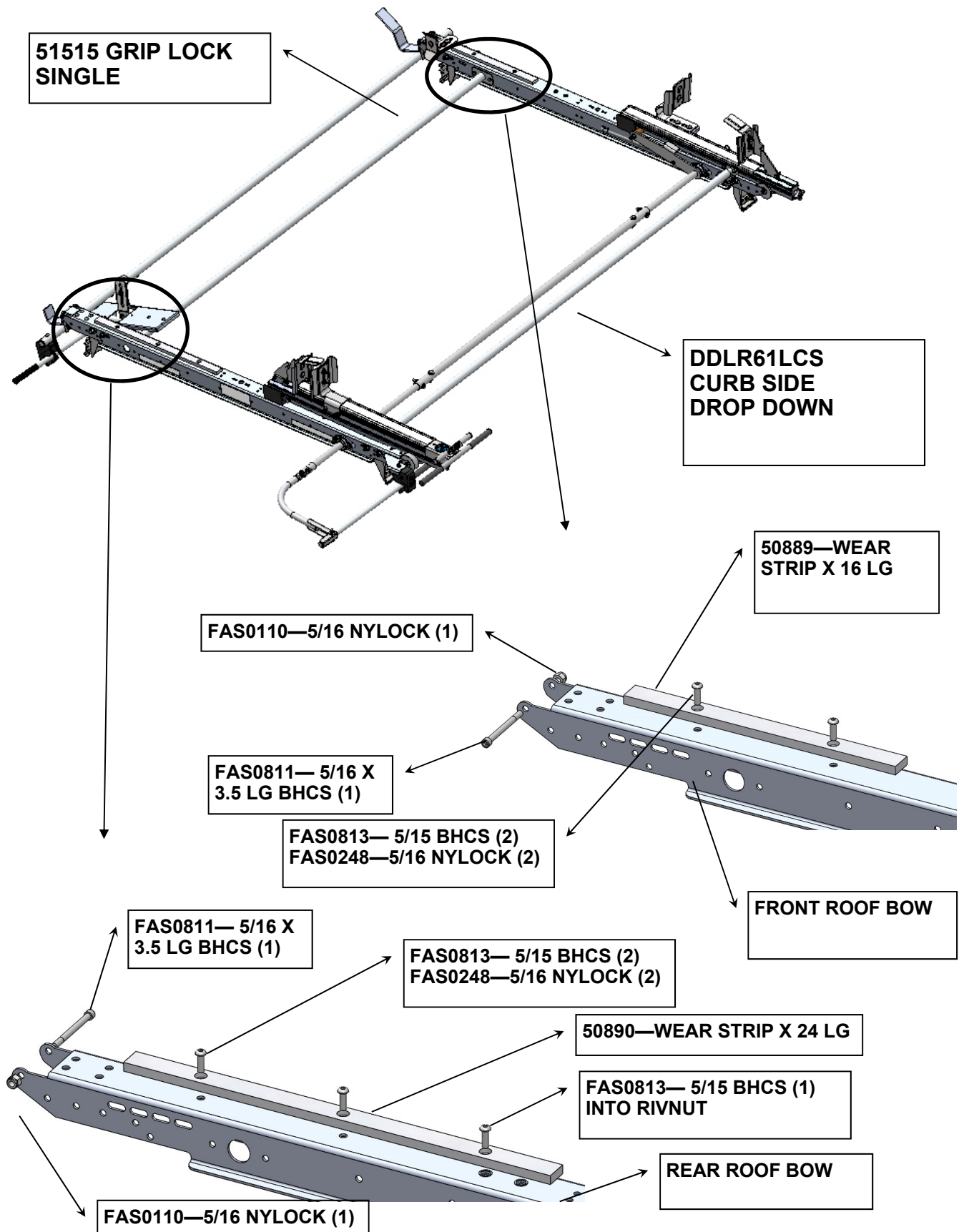
**STEP #16 : YOUR DOUBLE DROP DOWN INSTALLATION IS NOW COMPLETE  
GO TO STEP 17 FOR A COMBO RACK**



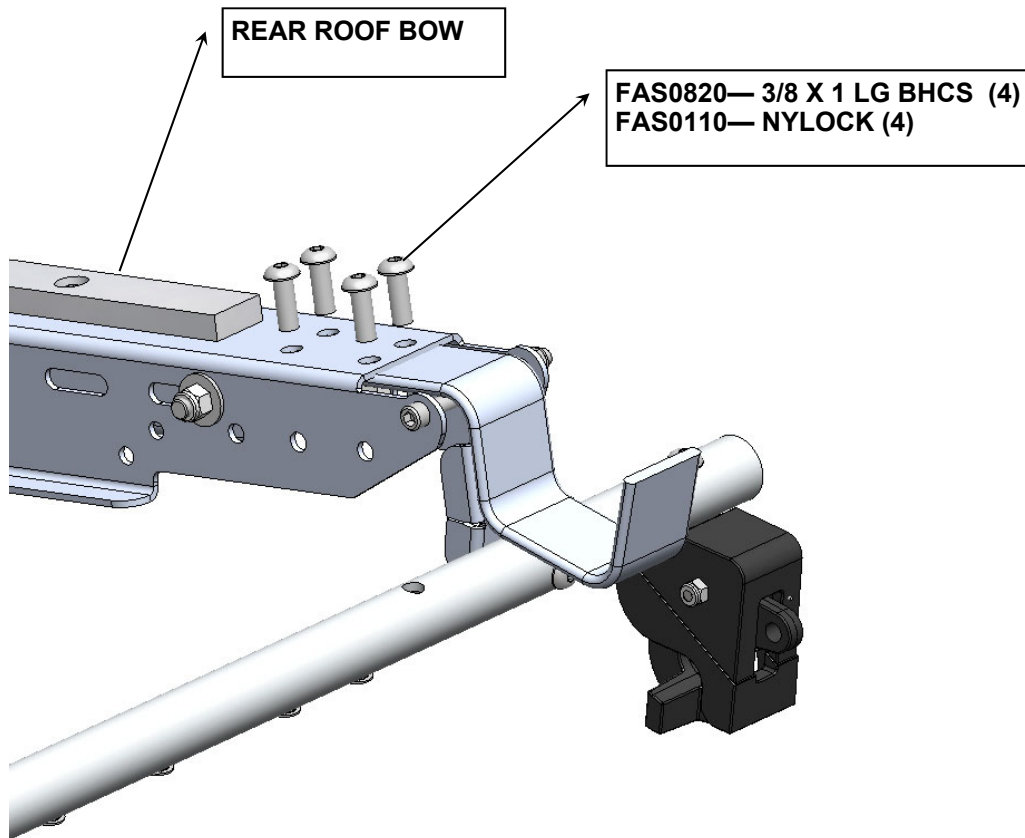
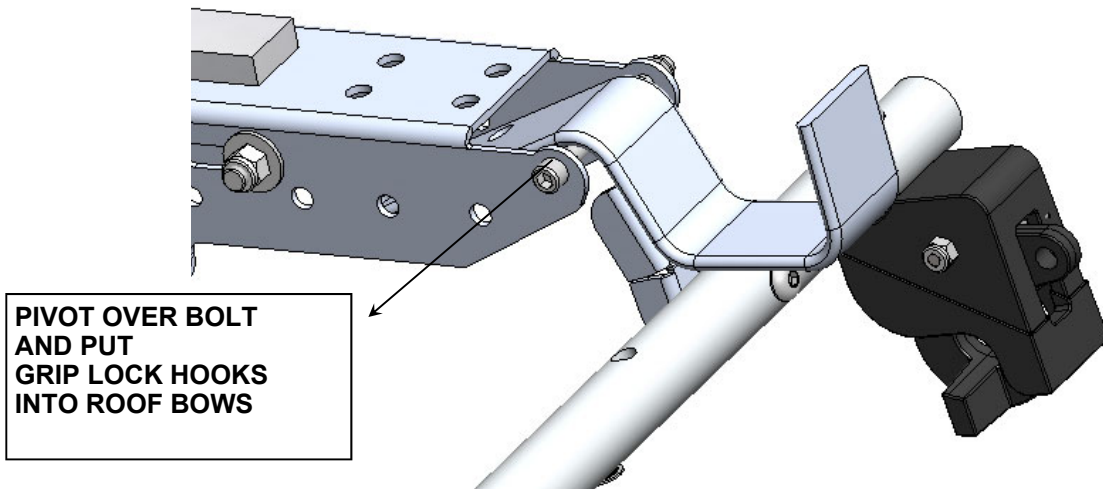
**DOUBLE CHECK ALL FASTENERS LOCATIONS TO BE SURE THAT ALL  
FASTENERS ARE TIGHTENED TO SPECIFICATIONS.  
YOUR INSTALLATION IS NOW COMPLETE!  
STOW THIS COPY IN THE VEHICLE FOR FUTURE REFERENCES!**



**STEP #17 : COMBO RACK, INSTALL STREET SIDE GRIP LOCK  
ADD WEAR STRIPS**



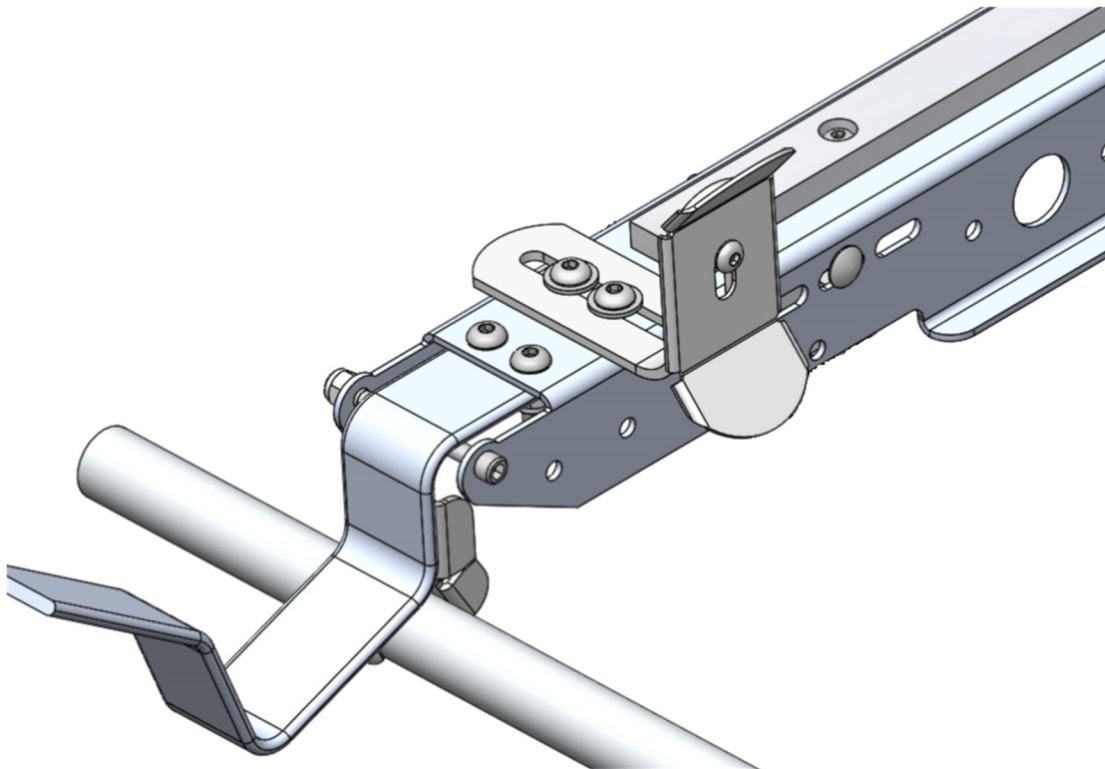
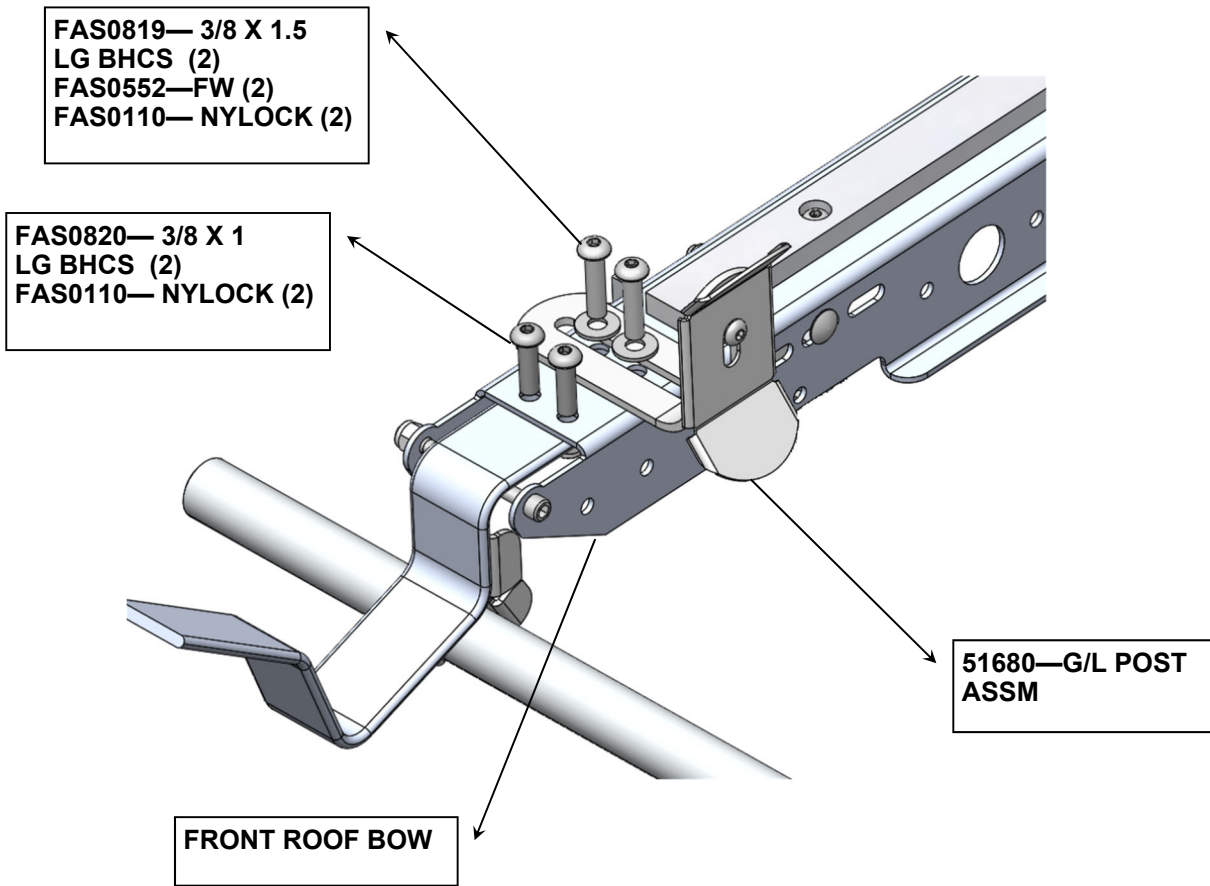
**STEP #18 : COMBO RACK, INSTALL STREET SIDE GRIP LOCK**



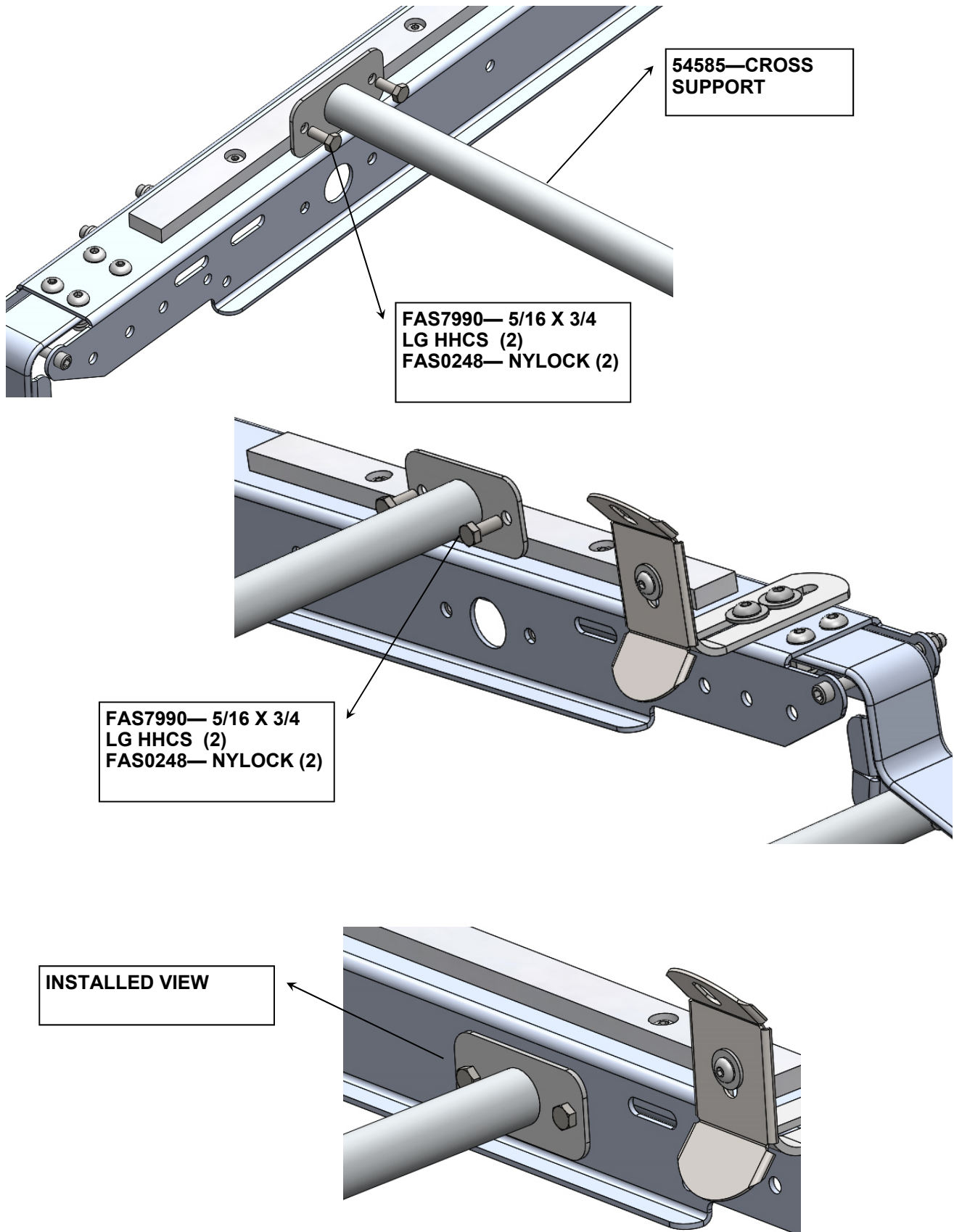




**STEP #19: FRONT ROOF BOW ASSEMBLY –STREET SIDE**

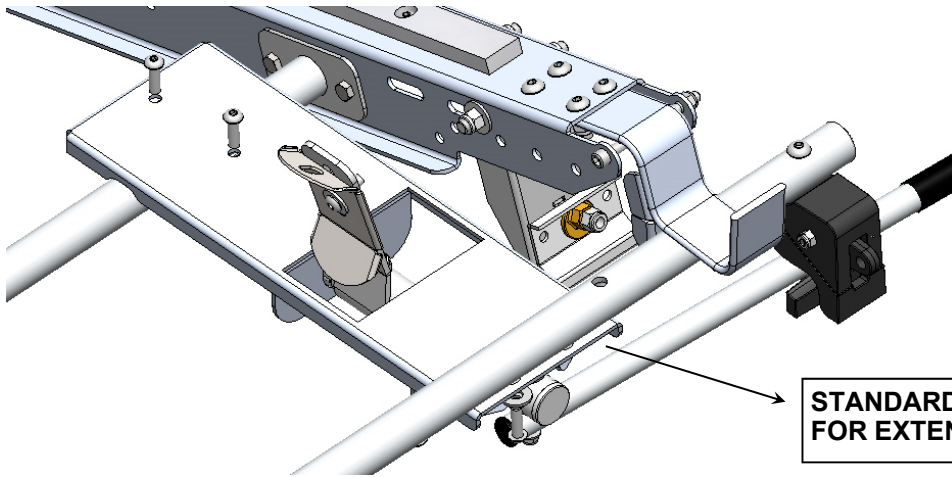


**STEP #23 : ADD CROSS SUPPORT FOR THE SLIDE BED**

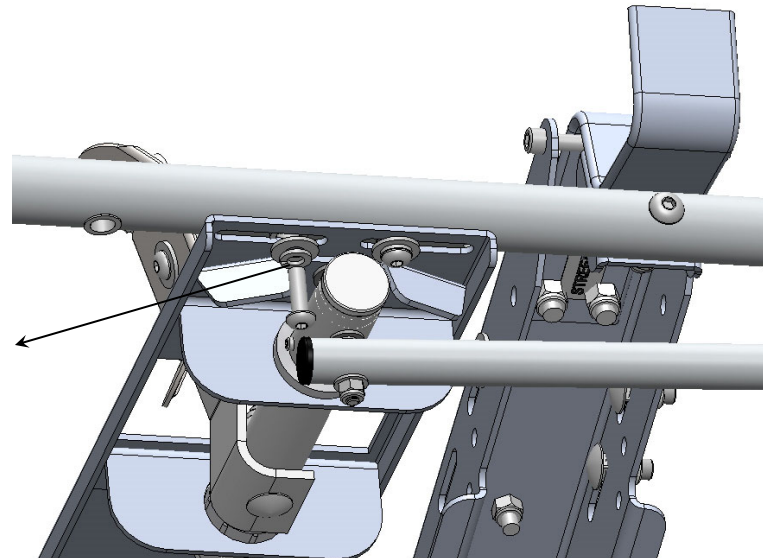




**STEP #24A: EXTENSION LADDER—ADD BED SLIDE TO THE CROSS SUPPORT  
—STREET SIDE.**

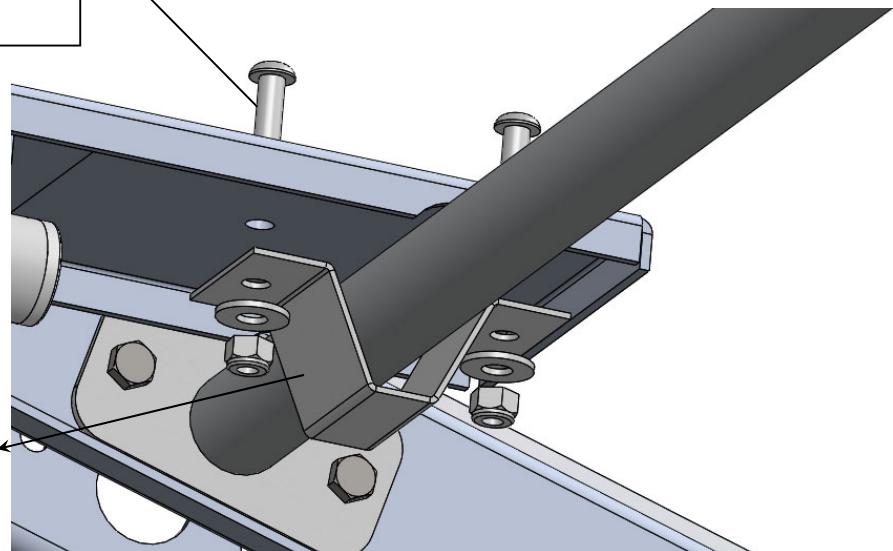


**STANDARD LOCATION  
FOR EXTENSION LADDERS**



**FAS0813— 5/16 X1 LG BHCS (2)  
FAS0588-LW (2)  
FAS0552— FW (2)**

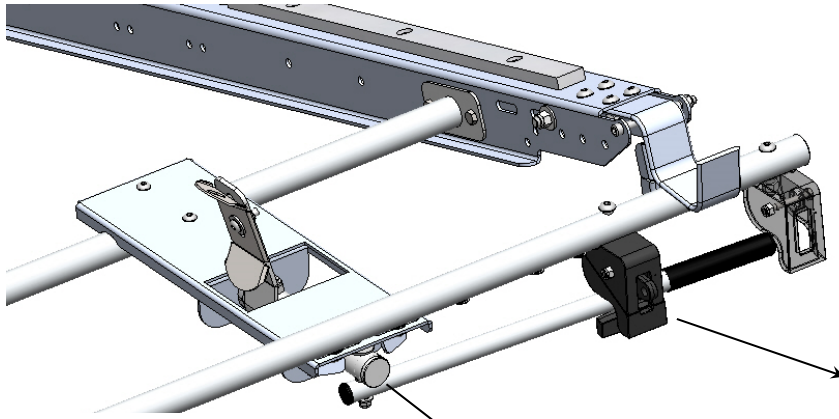
**FAS0813— 5/16 X1 LG BHCS (2)  
FAS0552— FW (2)  
FAS0248-NYLOCK (2)**



**54587—CAPTURE  
BRACKET**



**STEP #24B: A-FRAME LADDER— ADD BED SLIDE TO THE CROSS SUPPORT  
—STREET SIDE.**

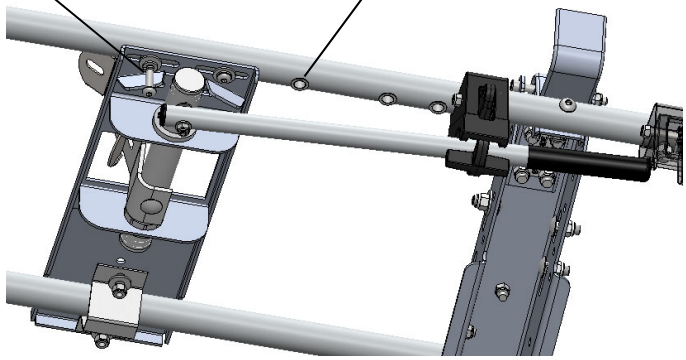


RELOCATE LATCH TO THIS LOCATION

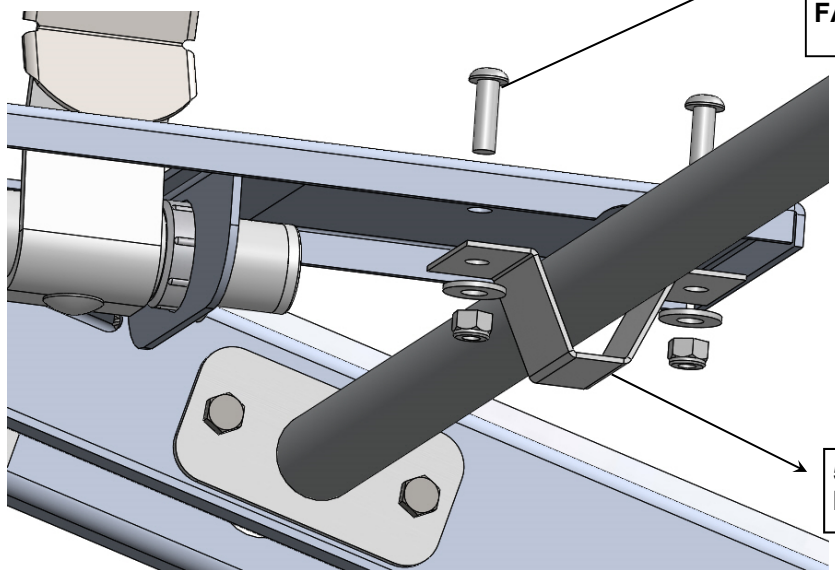
MOST A-FRAME STANDARD LOCATION

FAS0813— 5/16 X1 LG BHCS (2)  
FAS0588—LW (2)  
FAS0552— FW (2)

ANOTHER OPTIONAL MTG LOCATION



FAS0813— 5/16 X1 LG BHCS (2)  
FAS0552— FW (2)  
FAS0248-NYLOCK (2)



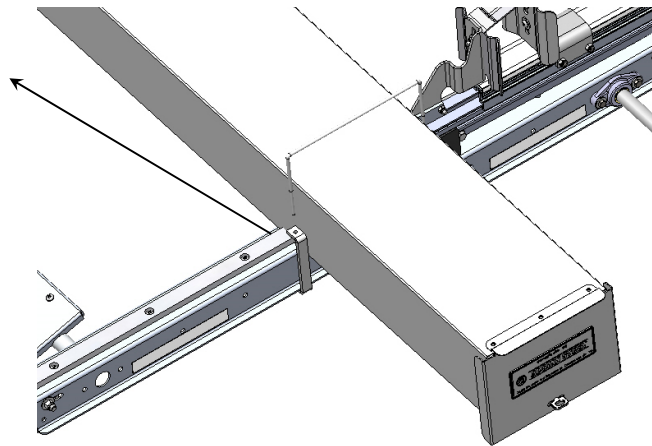
54587—CAPTURE BRACKET



**STEP #23 : YOUR DROP DOWN COMBO INSTALLATION IS NOW COMPLETE**

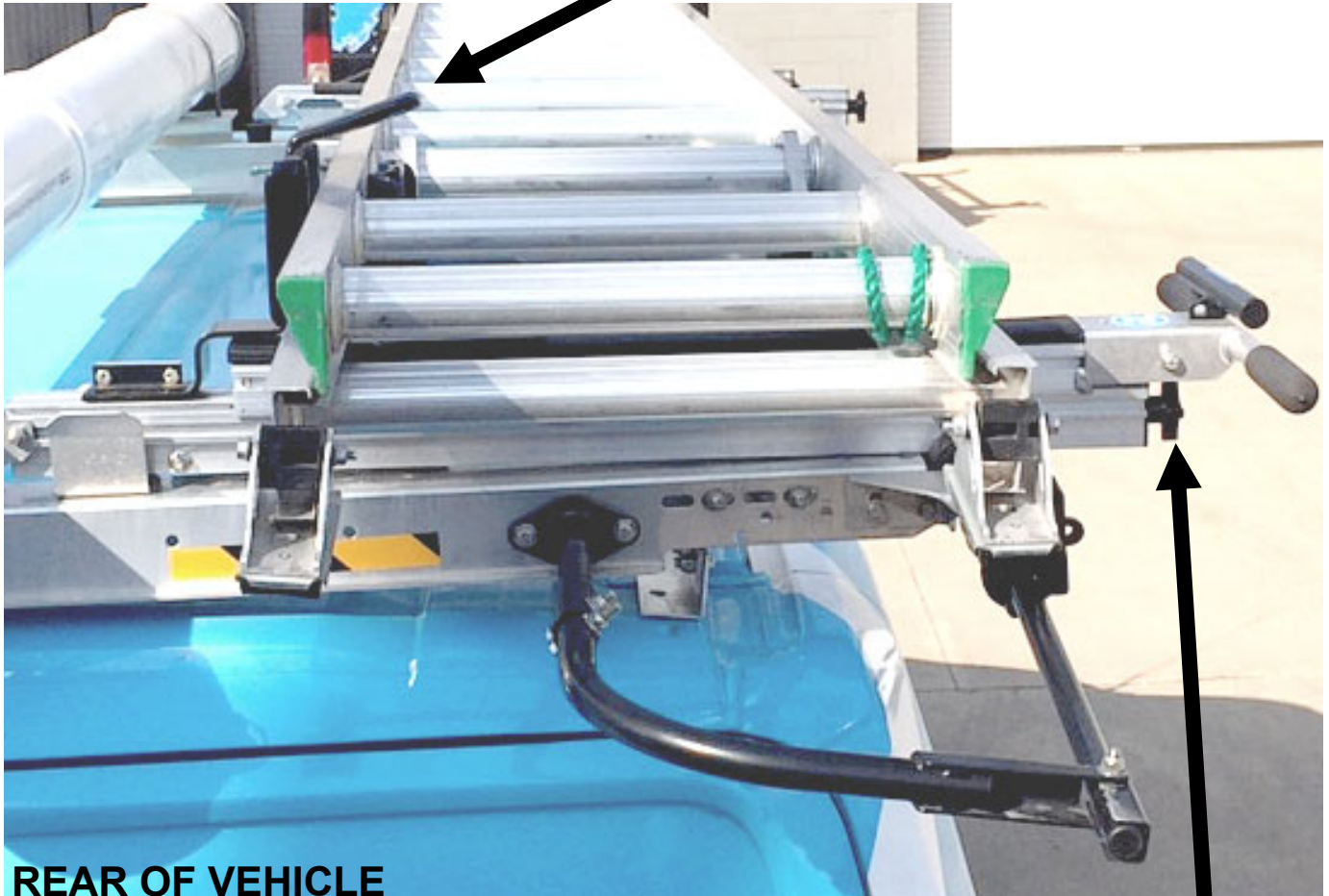


IF YOU WANT AN 80-1LR OR 80-2LR INSTALLED, YOU MAY HAVE TO REMOVE A 1/2" FROM THE WEAR STRIP FOR THE ALUM CONDUIT TO FIT.



**DOUBLE CHECK ALL FASTENERS LOCATIONS TO BE SURE THAT ALL FASTENERS ARE TIGHTENED TO SPECIFICATIONS.  
YOUR INSTALLATION IS NOW COMPLETE!  
STOW THIS COPY IN THE VEHICLE FOR FUTURE REFERENCES!**

**REAR CLAMP PAD MOVES TOWARDS CURB TO  
TIGHTEN LADDER TO RACK**



**REAR OF VEHICLE**



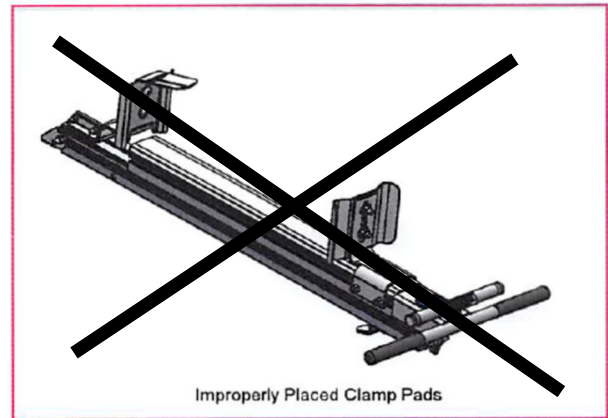
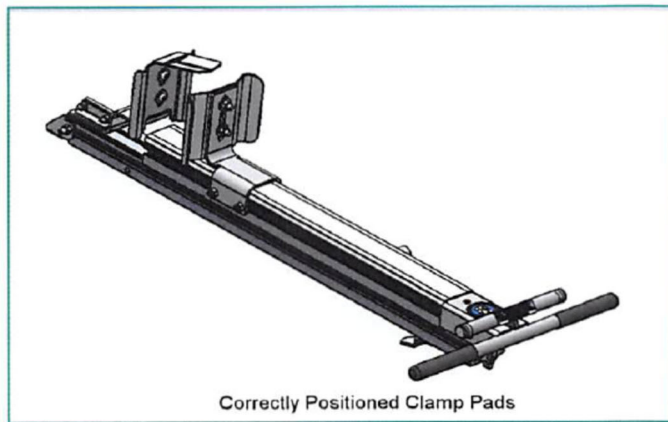
**TURN KNOB TO ADJUST TO  
YOUR LADDER.**

**DO NOT OVER TIGHTEN!  
CLAMP PAD SHOULD JUST  
TOUCH THE LADDER.**

## Proper Clamp Pad Locations

**Below is the proper way to clamp the ladder to the vehicle (highlighted in green)**

How to inspect for this: Properly placed clamp pads should be in close proximity to each other to allow the clamp pads to securely retain the ladder from side to side motion and front to back motion.



**Above is the wrong way to clamp the ladder to the vehicle**

**FRONT CLAMP PAD MOVES TOWARDS STREET  
TO TIGHTEN LADDER TO RACK**



**FRONT OF VEHICLE**

**TURN KNOB TO ADJUST TO  
YOUR LADDER.**

**DO NOT OVER TIGHTEN!  
CLAMP PAD SHOULD JUST  
TOUCH THE LADDER.**



**DDL61 Series Final Adjustment Instruction (GMFSV / Ford Transit)**

**DOUBLE CHECK ALL FASTENERS LOCATIONS TO BE SURE THAT ALL FASTENERS ARE  
TIGHTENED TO SPECIFICATIONS.**

**YOUR INSTALLATION IS NOW COMPLETE!**

**STOW THIS COPY IN THE VEHICLE FOR FUTURE REFERENCES!**



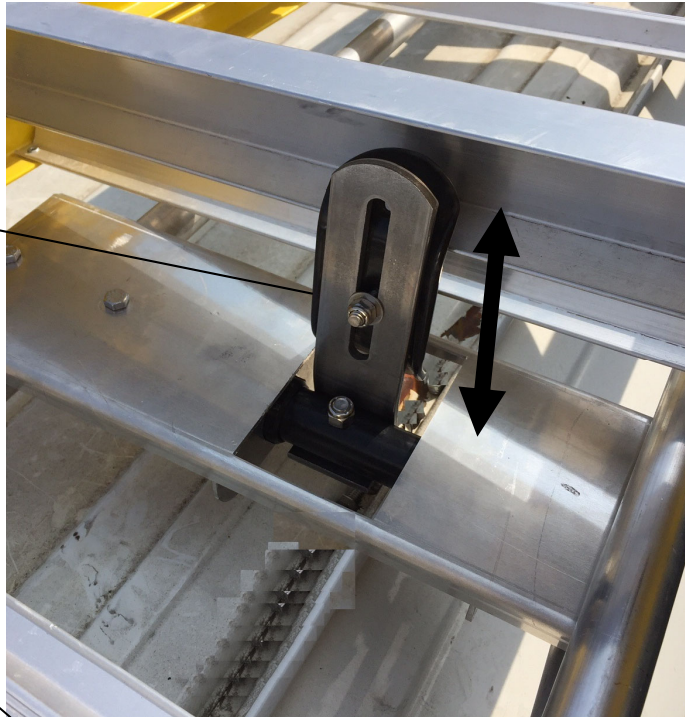
**HOW TO ADJUST THE CLAMP PADS**



FRONT BRACKET

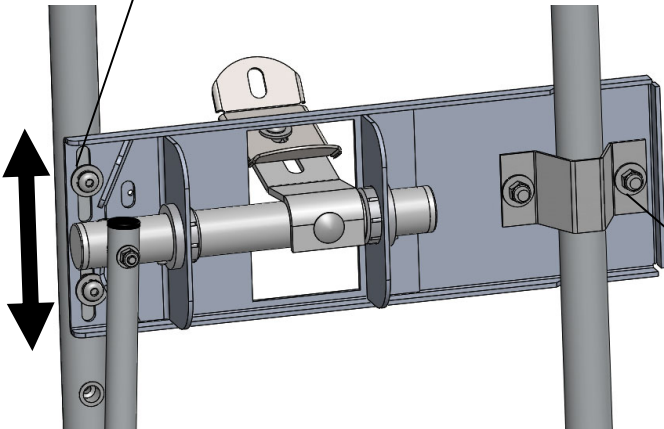
ADJUST VERTICALLY TO YOUR LADDER

ALL OF THE HORIZONTAL ADJUSTMENT IS IN THIS BRACKET.



ADJUST VERTICALLY TO YOUR LADDER. SHOWING A STEP LADDER

SLOTS FOR ADJUSTMENT



LOOSEN FASTENERS TO ADJUST CLAMP

**GRIP LOCK Final Adjustment Instruction (GMFSV / Ford Transit)**

DOUBLE CHECK ALL FASTENERS LOCATIONS TO BE SURE THAT ALL FASTENERS ARE TIGHTENED TO SPECIFICATIONS.

YOUR INSTALLATION IS NOW COMPLETE!

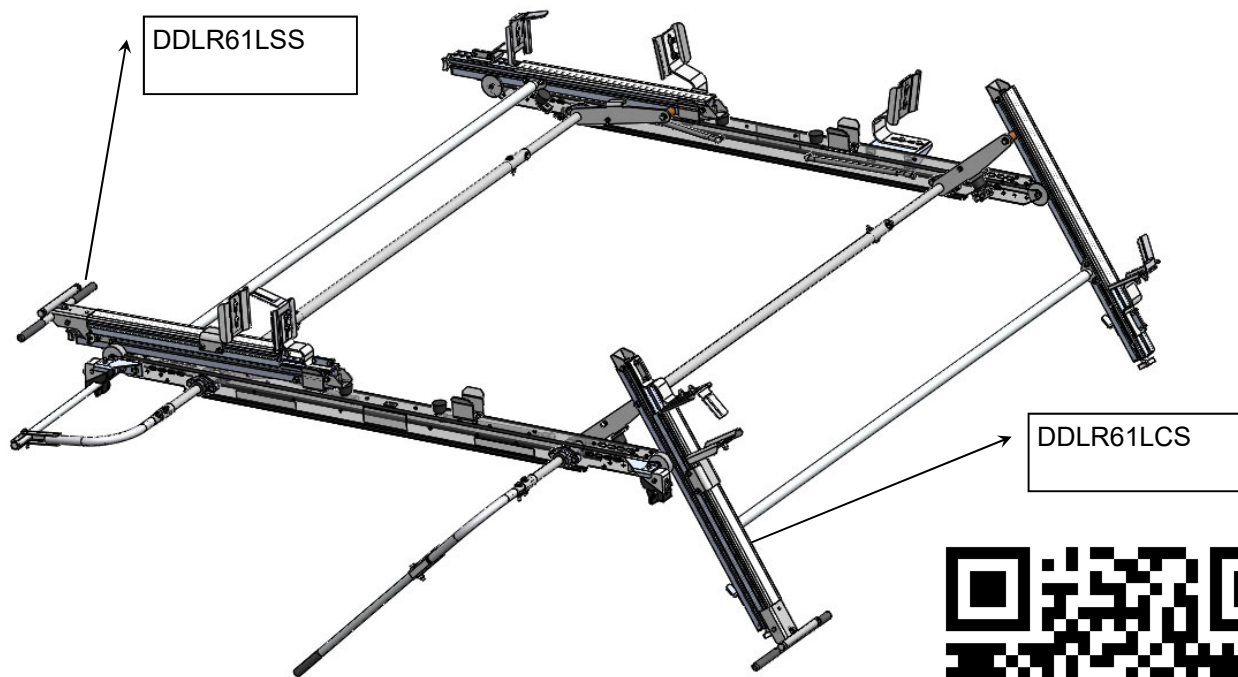
STOW THIS COPY IN THE VEHICLE FOR FUTURE REFERENCES!

**Introduction / Comments:**

THIS DROP DOWN UNIT IS CURB SIDE, STREET SIDE SPECIFIC. THE DROP DOWN IS FOR LOW ROOF VEHICLES, THESE INSTRUCTIONS WILL BE SHOWING THE GM FSV AND SOME FORD TRANSIT PICTURES FOR THE VEHICLE REPRESENTATION. THIS DROP DOWN LADDER RACK IS DESIGNED TO ADAPT TO AN ADRIAN STEEL CROSS BOW KIT FOR VARIOUS STANDARD ROOF VEHICLES.

**Note:**

It is advised that all fasteners used in this assembly and installation of this Rack should be checked for tightness at the following intervals: @ 2-weeks and again @ 6-weeks of operation. This preventive maintenance step must be completed to ensure your package gives you long service life.



TO VIEW INSTALL VIDEO

**DDL61GM / DDL63GM  
FINAL DROP DOWN LADDER RACK, STREET, CURB  
GM FSV, LOW ROOF VAN**

## - PRECAUTIONS -





 **CAUTION**   
**THE USE OF AIR IMPACT TOOLS CAN  
OVER-TORQUE FASTENERS AND  
CAUSE FASTENER FAILURE!**



 **CAUTION**   
**ALL INSTALLATION HOLES SHOULD BE SEALED  
WITH SILICON OR BUTYL SEALANT TO PREVENT  
EXHAUST FUMES FROM ENTERING THE VEHICLE!**



 **DANGER**   
**INSPECT FOR FUEL TANK, FUEL LINES, BRAKE LINES, HIGH  
VOLTAGE BATTERIES AND ELECTRICAL LINES PRIOR TO  
DRILLING TO AVOID DAMAGING CRITICAL VEHICLE SYSTEMS  
OR INJURY TO INSTALLER DURING INSTALLATION PROCESS!**



 **CAUTION**   
**TO AVOID DAMAGING THE VEHICLE ALWAYS  
USE DRILL STOPS WHEN DRILLING ANY IN-  
STALLATION HOLES!**



## - IMPORTANT WARRANTY REQUIREMENTS -

1. SUBSTITUTING ADRIAN STEEL SPECIFIED FASTENERS FOR ASSEMBLY AND/OR INSTALLATION WILL VOID YOUR PRODUCT WARRANTY.
2. ALL HOLES DRILLED INTO VEHICLE SHOULD HAVE THE RAW METAL EDGES SEALED WITH A SELF-ETCHING PRIMER TO RESIST CORROSION AND POTENTIAL FASTENER POINT FAILURE.
3. ALL FASTENERS USED IN THE INSTALLATION OF THIS PRODUCT SHOULD BE TIGHTENED TO THE TORQUE(S) SPECIFIED IN THESE INSTRUCTIONS.
4. THESE INSTRUCTIONS SHOULD BE KEPT WITH THE VEHICLE.

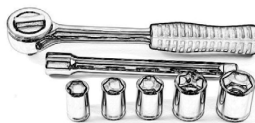
### THE BASIC TOOLS NEEDED FOR MOST INSTALLATIONS



DRILL



DRILL BIT WITH  
STOP



RATCHET, SOCKETS  
AND/OR WRENCHES



SCREWDRIVERS

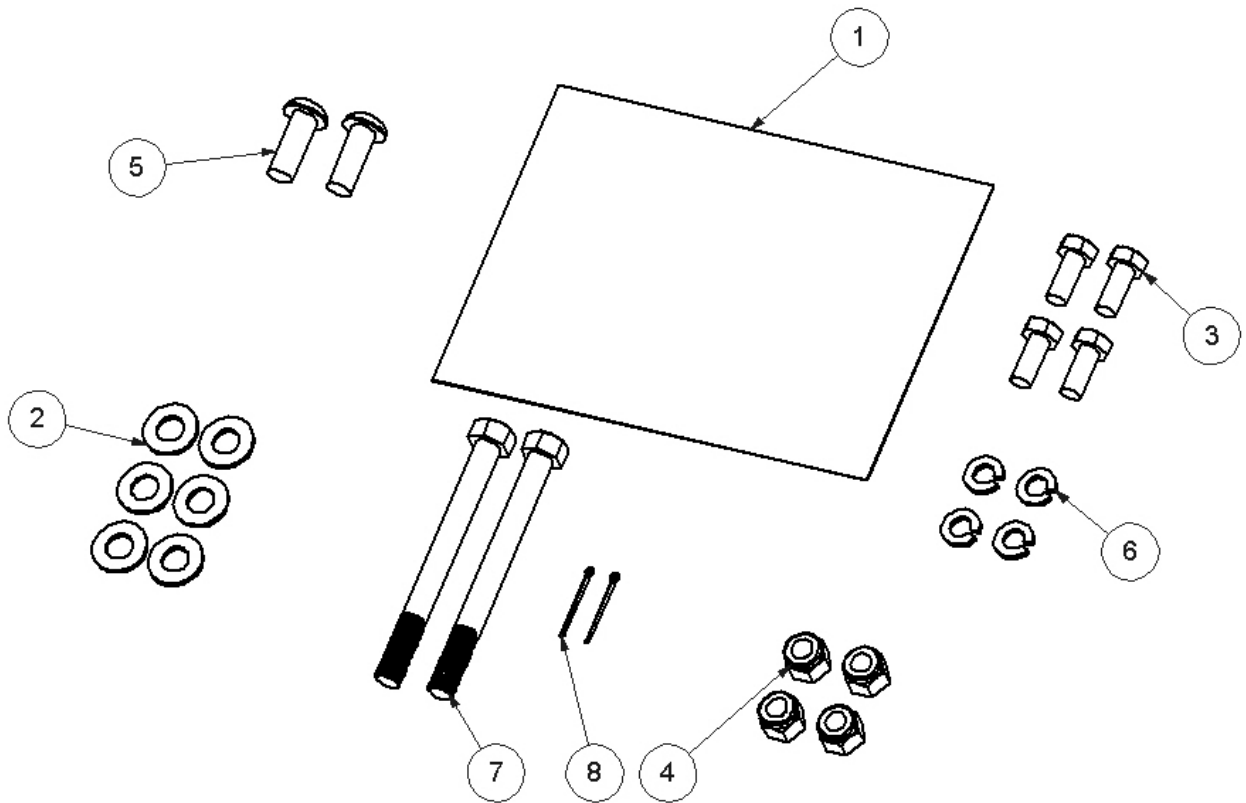


MEASURING TAPE

ADDITIONAL TOOLS MAY BE NEEDED FOR THIS INSTALLATION AND THEY WILL BE IDENTIFIED IN THE STEPS THAT FOLLOW.

**BAG51041—FINAL ASSEMBLY FASTENER BAG**

ITEM NO.	PART NUMBER	DESCRIPTION	QTY.
1	BAG0507-A	5" x 7" 3MIL AUTOBAG	1
2	FAS0246	Washer, Flat, 3/8, HRD, ZN	6
3	FAS0799	Screw, Hex Hd, 5/16-18x0.75 SS	4
4	FAS0110	Nut,Hex Nylk 3/8-16 SS W	4
5	FAS0572	Screw, Button Hd Hex Soc, 3/8-16x1.00 NI-ZN	2
6	FAS0588	Washer, Lock, Split, 5/16, SS	4
7	FAS0286	SCREW, HHCS, 3/8-16x4, SS	2
8	FAS0287	COTTER PIN, 1/16DIA X 1"LG, SS	2





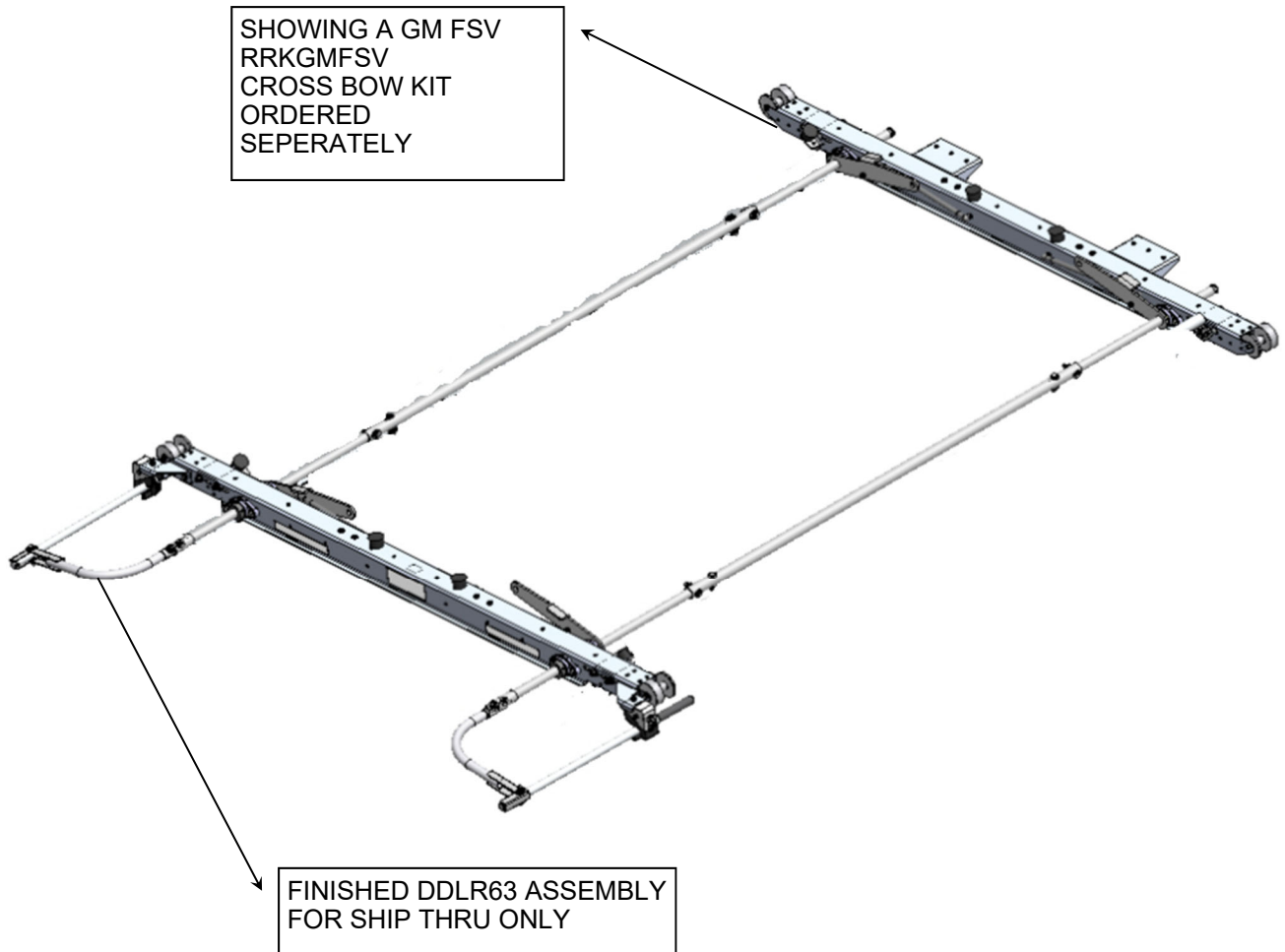
**STEP 1A : THIS IS THE SHIP THRU SINGLE DROP DOWN AS YOU WOULD RECEIVE FOR FINAL DEALER ASSEMBLY. SEE STEP 1B FOR DOUBLE DROP DOWN.**

SHOWING A GM FSV  
RRKGMFSV  
CROSS BOW KIT  
ORDERED  
SEPERATELY

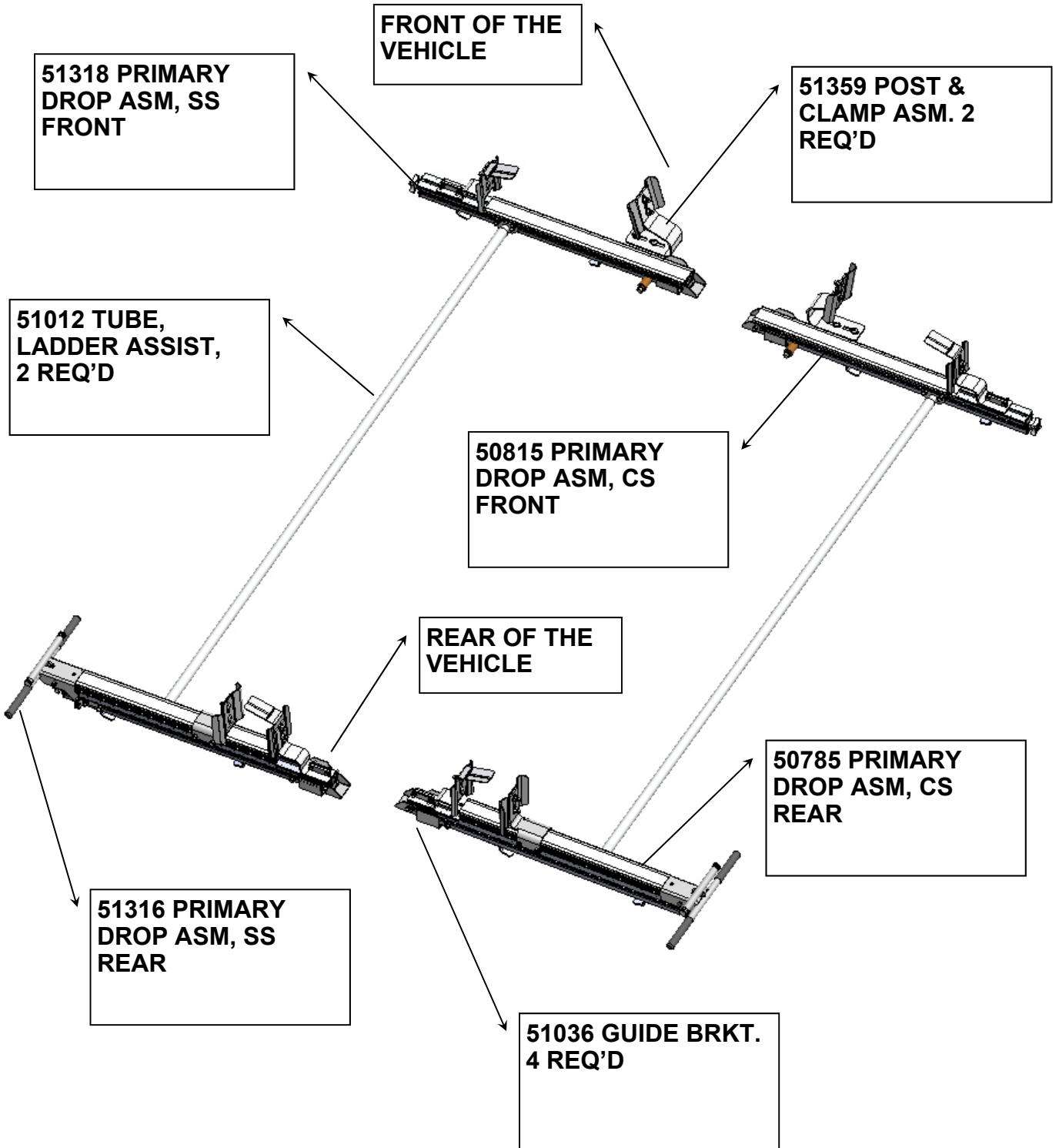




**STEP 1B : THIS IS THE SHIP THRU DOUBLE DROP DOWN AS YOU WOULD RECEIVE FOR FINAL DEALER ASSEMBLY**

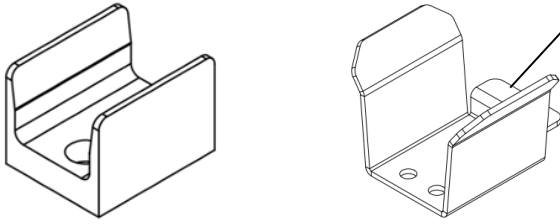


**STEP 2 - THIS IS THE FINAL ASSEMBLY, SHOWING THE CURB AND STREET SIDE DROP DOWN COMPONENTS**



**STEP 3 : ASSEMBLE BRACKETS TO THE FRONT CROSS BOW**

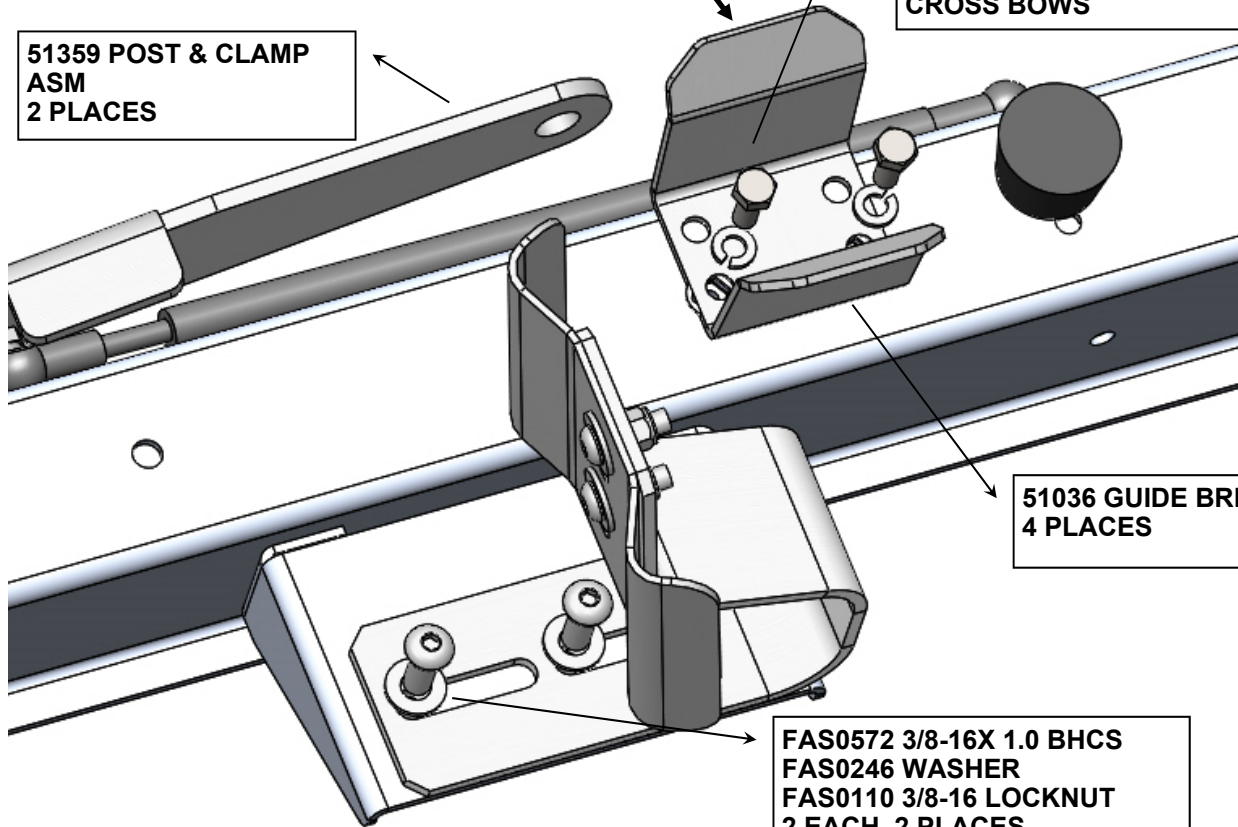
NOTE: ITEM 51036 WILL VARY APPEARANCE AS EITHER VIEW OF 54178 SHOWN BELOW.



IF USING THIS STYLE, ENSURE THE REST FLANGE IS MOUNTING FACING TO THE OUTSIDE OF THE LADDER RACK! THIS WILL GIVE CLEARANCE FOR A CONDUIT KIT TO BE MOUNTED IN THE CENTER.

FAS0799— 5/16 X .75 HHCS  
FAS0588— 5/16 LW  
(2) EACH, 4 PLACES  
THRU FRONT HOLES OF FRONT BRKTS AND REAR HOLES FOR REAR BRKTS INTO RIVNUTS IN CROSS BOWS

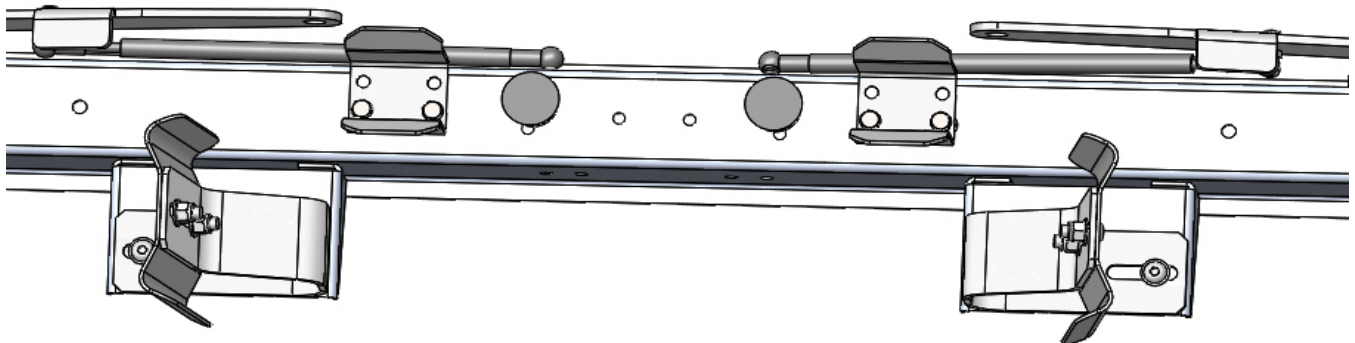
51359 POST & CLAMP ASM  
2 PLACES



51036 GUIDE BRKT  
4 PLACES

FAS0572 3/8-16X 1.0 BHCS  
FAS0246 WASHER  
FAS0110 3/8-16 LOCKNUT  
2 EACH, 2 PLACES

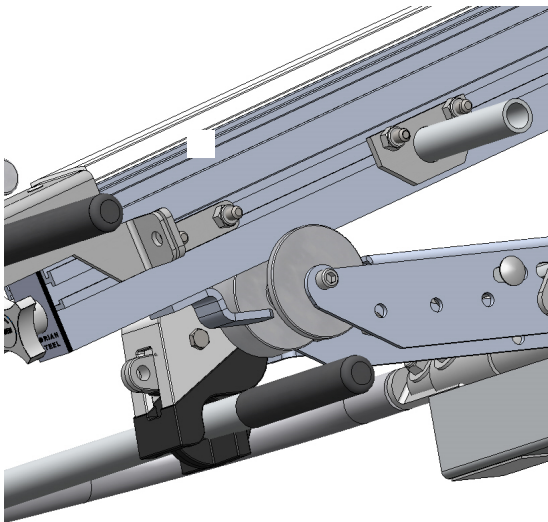
**COMPLETED VIEW OF THE FRONT CROSS BOW**





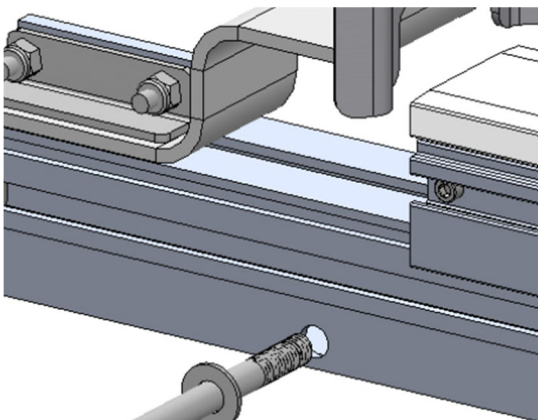
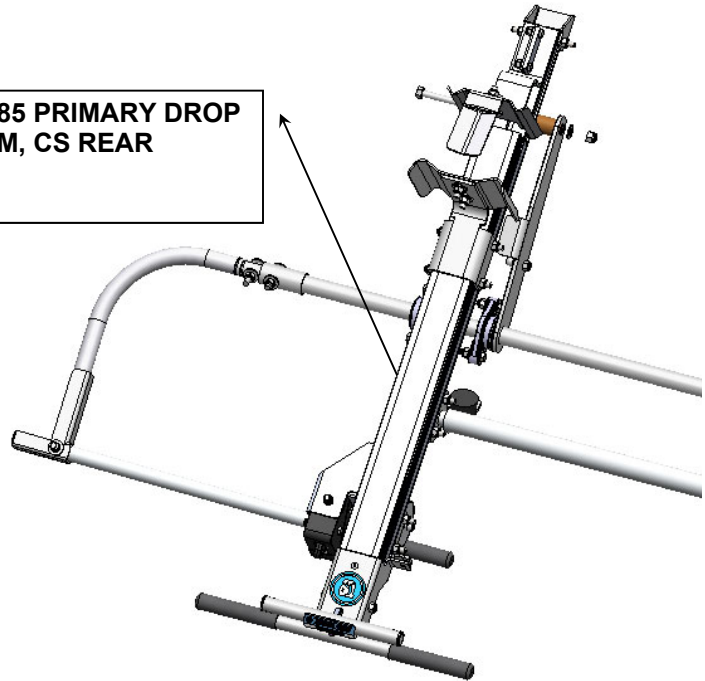
**STEP 4 : ASSEMBLE REAR CURB SIDE PRIMARY DROP TO RACK**

**SET 50785 PRIMARY DROP ASM, REAR CS IN PLACE ON REAR CROSS BOW.  
USE GUIDE ROLLER TO HELP LOAD INTO POSITION**

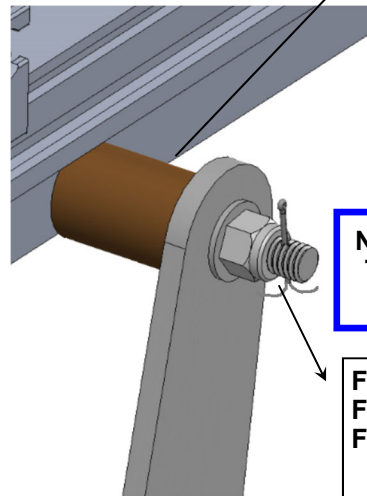


**50785 PRIMARY DROP  
ASM CS REAR**

**50785 PRIMARY DROP  
ASM, CS REAR**



**FAS02826 3/8-16 X 4" HHCS  
FAS0246 WASHER**



**51034 BRONZE  
BUSHING**

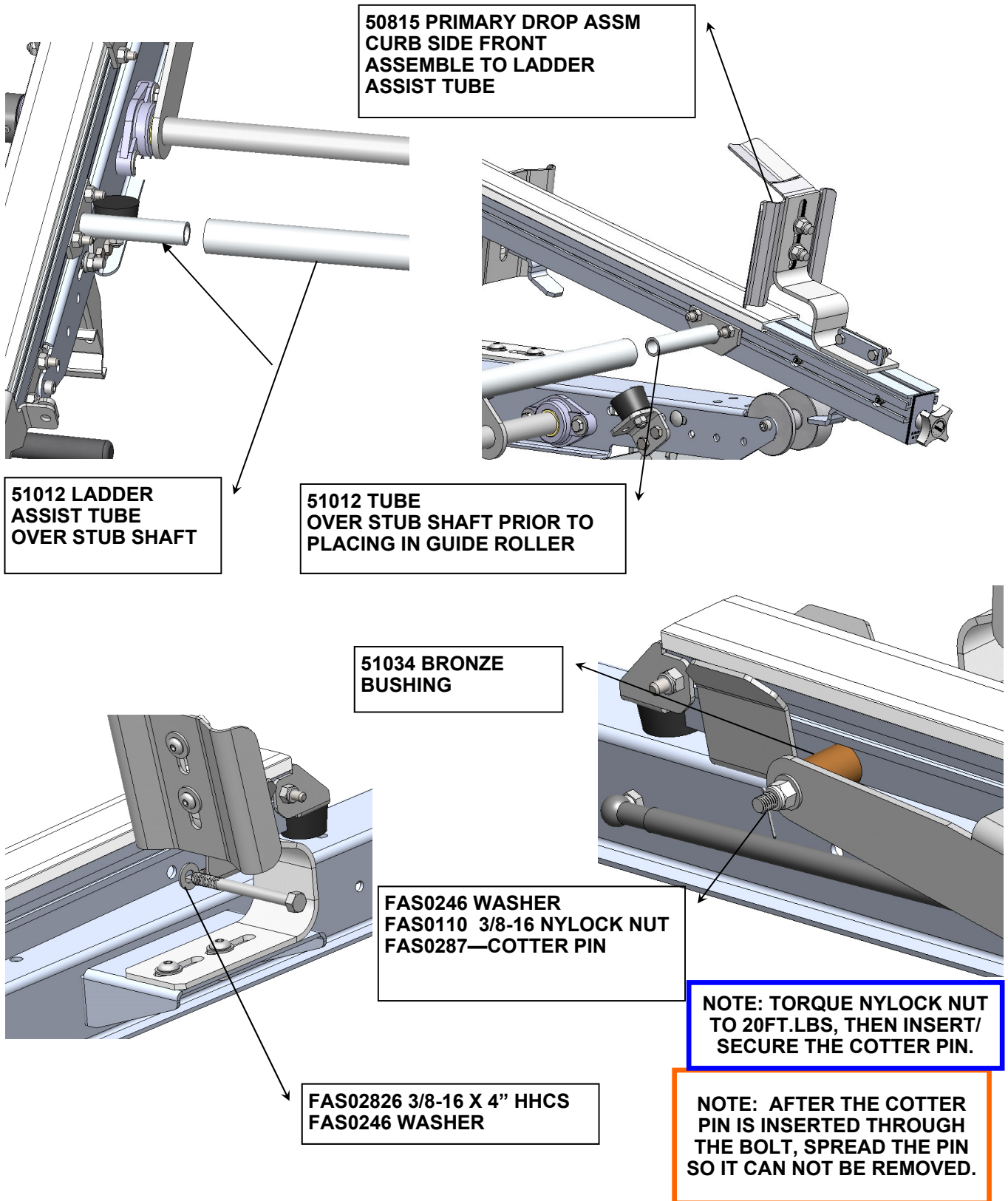
**NOTE: TORQUE NYLOCK NUT  
TO 20FT.LBS, THEN INSERT/  
SECURE THE COTTER PIN.**

**FAS0246 WASHER  
FAS0110 3/8-16 NYLOCK NUT  
FAS0287—COTTER PIN**

**NOTE: AFTER THE COTTER  
PIN IS INSERTED THROUGH  
THE BOLT, SPREAD THE PIN  
SO IT CAN NOT BE REMOVED.**

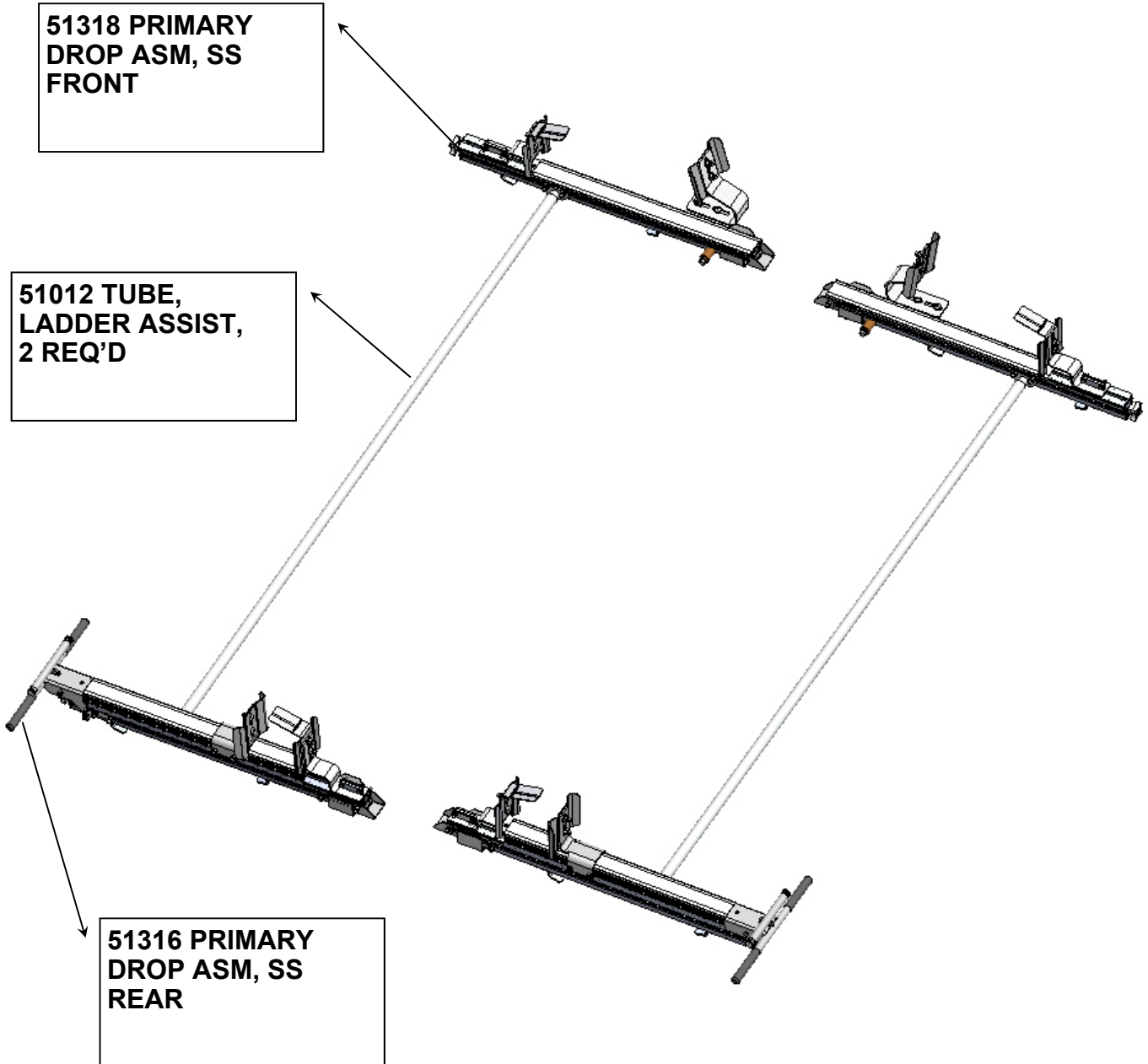
**STEP 5 : ASSEMBLE FRONT SIDE PRIMARY DROP TO RACK**

**SET 50815 PRIMARY DROP ASM, FRONT CS IN PLACE ON FRONT CROSS BOW.  
USE GUIDE ROLLER AFTER LADDER ASSIST TUBE IS ON BOTH STUB SHAFTS**





**STEP #6 : FOR A DOUBLE DROP DOWN, INSTALL STREET SIDE USING STEPS #4 & #5 AS YOUR GUIDE.**



**DOUBLE CHECK ALL FASTENERS LOCATIONS TO BE SURE THAT ALL FASTENERS ARE TIGHTENED TO SPECIFICATIONS.  
YOUR INSTALLATION IS NOW COMPLETE!  
STOW THIS COPY IN THE VEHICLE FOR FUTURE REFERENCES!**



**STEP #7 : YOUR DOUBLE DROP DOWN INSTALLATION IS NOW COMPLETE  
FOR A COMBO RACK, GO TO STEP 8**



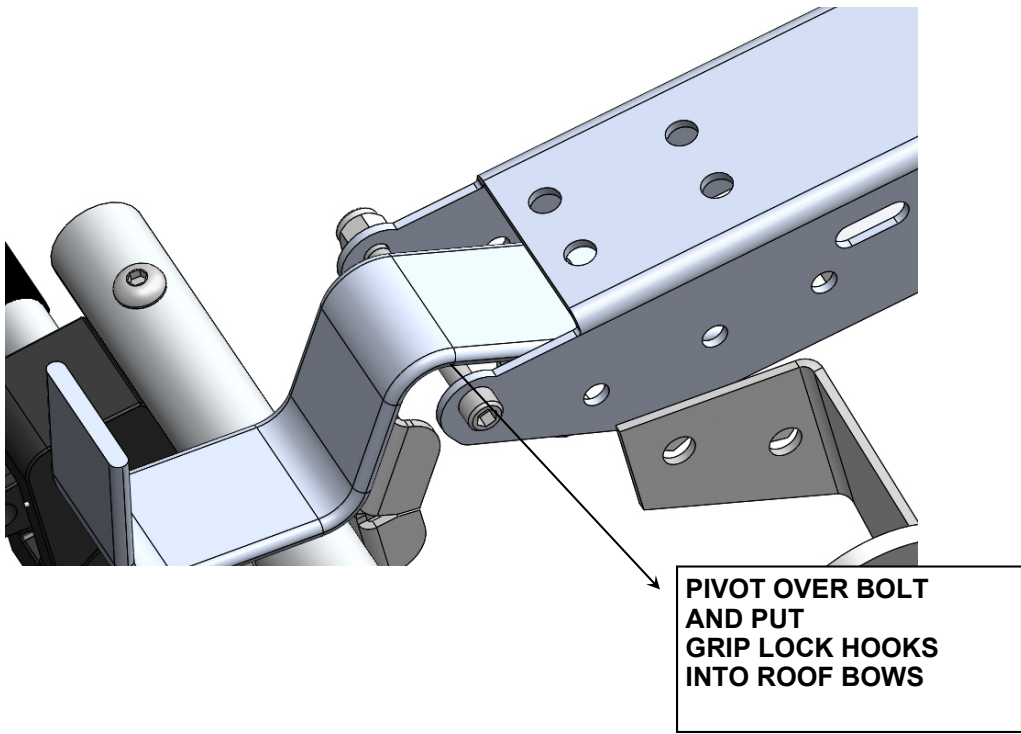
**DOUBLE CHECK ALL FASTENERS LOCATIONS TO BE SURE THAT ALL  
FASTENERS ARE TIGHTENED TO SPECIFICATIONS.  
YOUR INSTALLATION IS NOW COMPLETE!  
STOW THIS COPY IN THE VEHICLE FOR FUTURE REFERENCES!**



**STEP #08 : COMBO RACK, FINAL INSTALL- STREET SIDE GRIP LOCK**



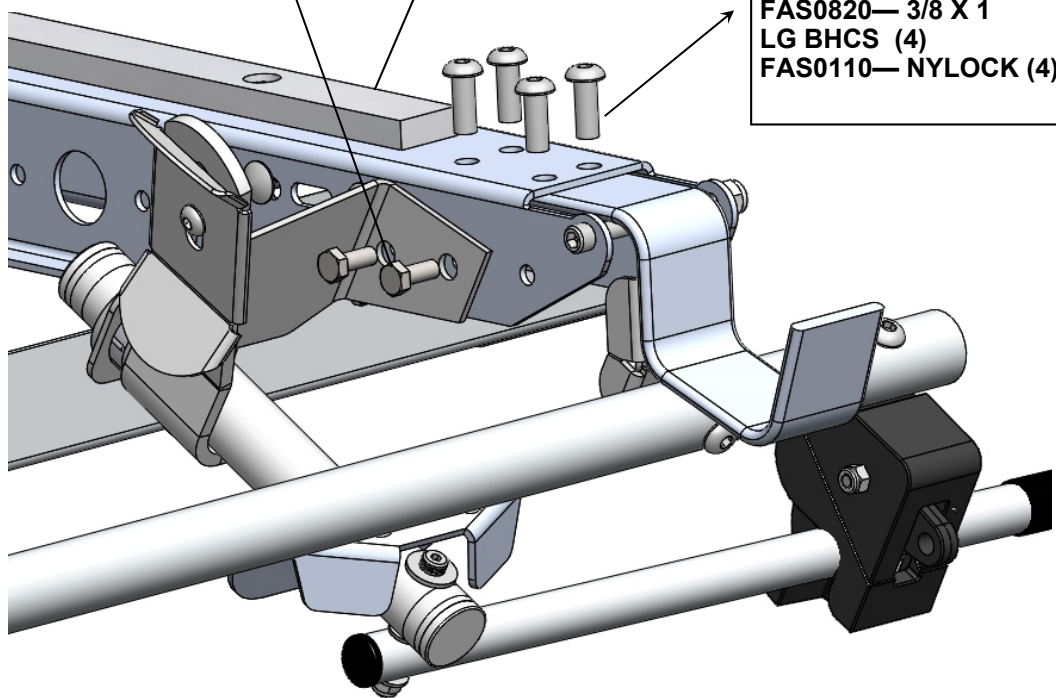
**STEP #9 : COMBO RACK, INSTALL STREET SIDE GRIP LOCK**



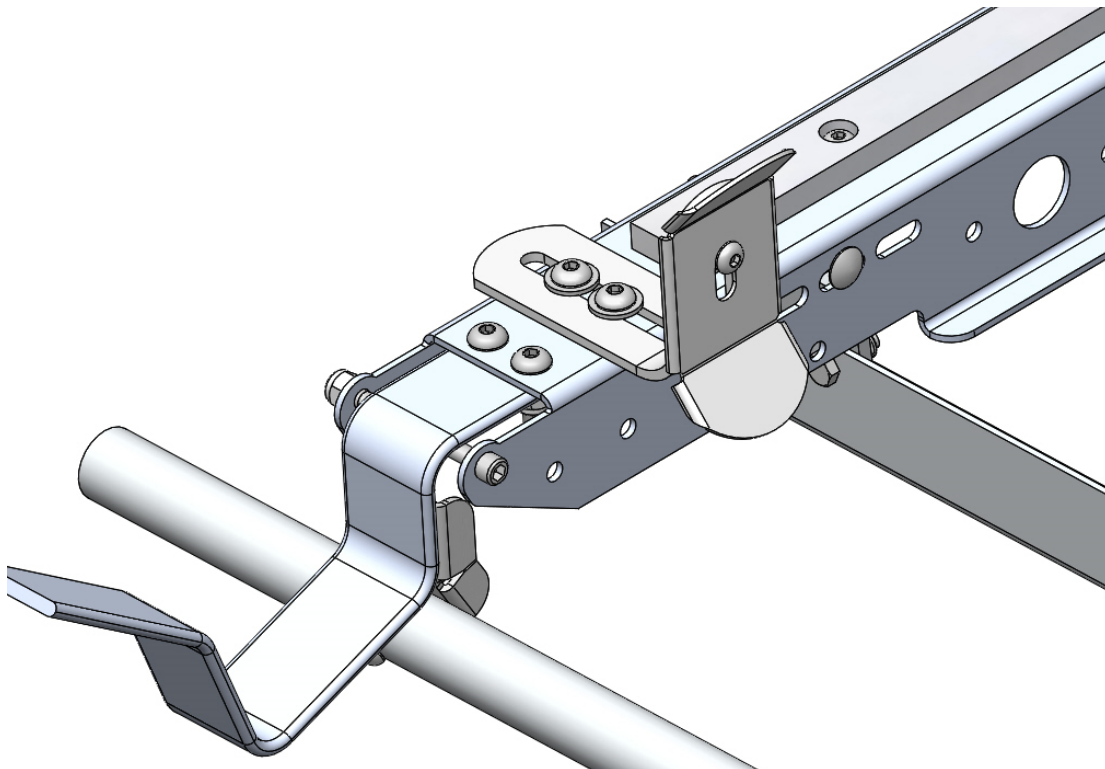
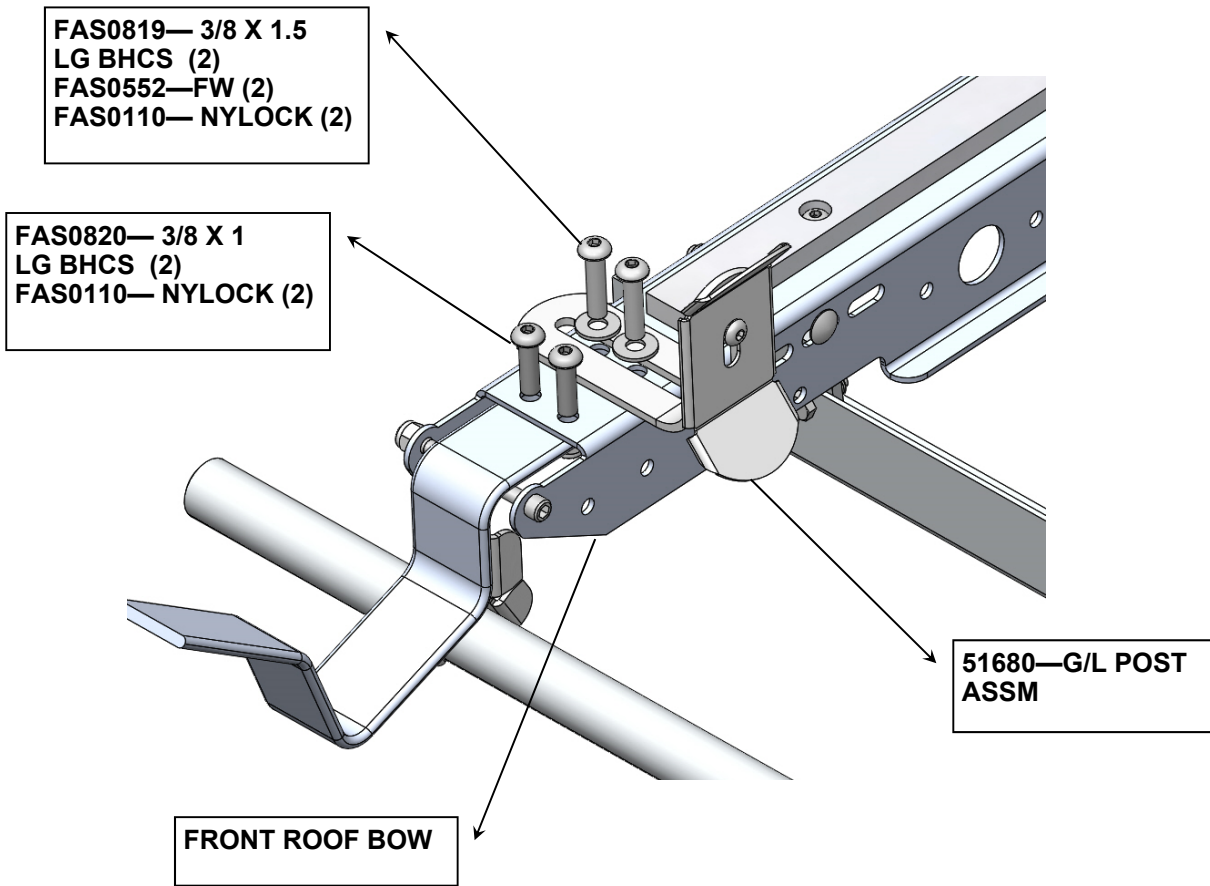
**SECOND AND THIRD HOLES !**  
FAS0799— 5/16 x 3/4 HHCS (2)  
FAS0248— NYLOCK (2)

REAR ROOF BOW

FAS0820— 3/8 X 1 LG BHCS (4)  
FAS0110— NYLOCK (4)



**STEP #10: FRONT ROOF BOW ASSEMBLY –STREET SIDE**



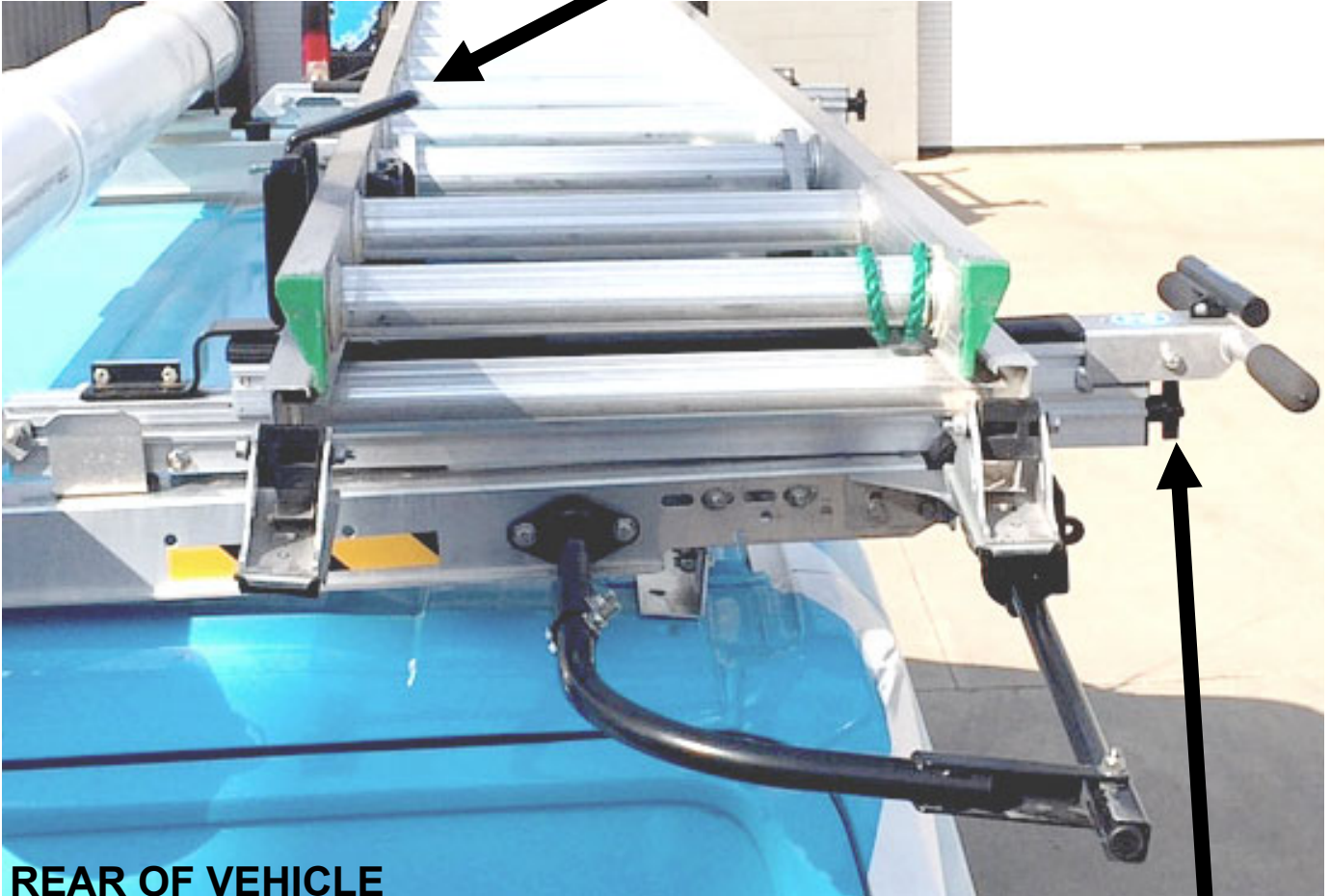
**STEP #23 : YOUR DROP DOWN COMBO INSTALLATION IS NOW COMPLETE**



**DOUBLE CHECK ALL FASTENERS LOCATIONS TO BE SURE THAT ALL  
FASTENERS ARE TIGHTENED TO SPECIFICATIONS.  
YOUR INSTALLATION IS NOW COMPLETE!  
STOW THIS COPY IN THE VEHICLE FOR FUTURE REFERENCES!**



**REAR CLAMP PAD MOVES TOWARDS CURB TO  
TIGHTEN LADDER TO RACK**



**REAR OF VEHICLE**



**TURN KNOB TO ADJUST TO  
YOUR LADDER.**

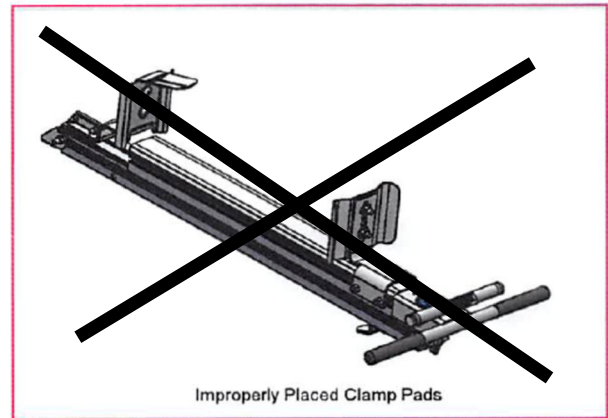
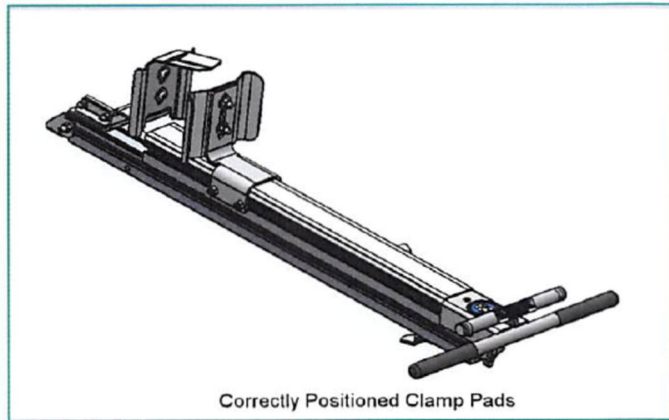
**DO NOT OVER TIGHTEN!  
CLAMP PAD SHOULD JUST  
TOUCH THE LADDER.**

**DDL61 Series Final Adjustment Instruction (GMFSV / Ford Transit)**

## Proper Clamp Pad Locations

**Below is the proper way to clamp the ladder to the vehicle (highlighted in green)**

How to inspect for this: Properly placed clamp pads should be in close proximity to each other to allow the clamp pads to securely retain the ladder from side to side motion and front to back motion.



**Above is the wrong way to clamp the ladder to the vehicle**

**FRONT CLAMP PAD MOVES TOWARDS STREET  
TO TIGHTEN LADDER TO RACK**



**TURN KNOB TO ADJUST TO  
YOUR LADDER.**

**DO NOT OVER TIGHTEN!  
CLAMP PAD SHOULD JUST  
TOUCH THE LADDER.**



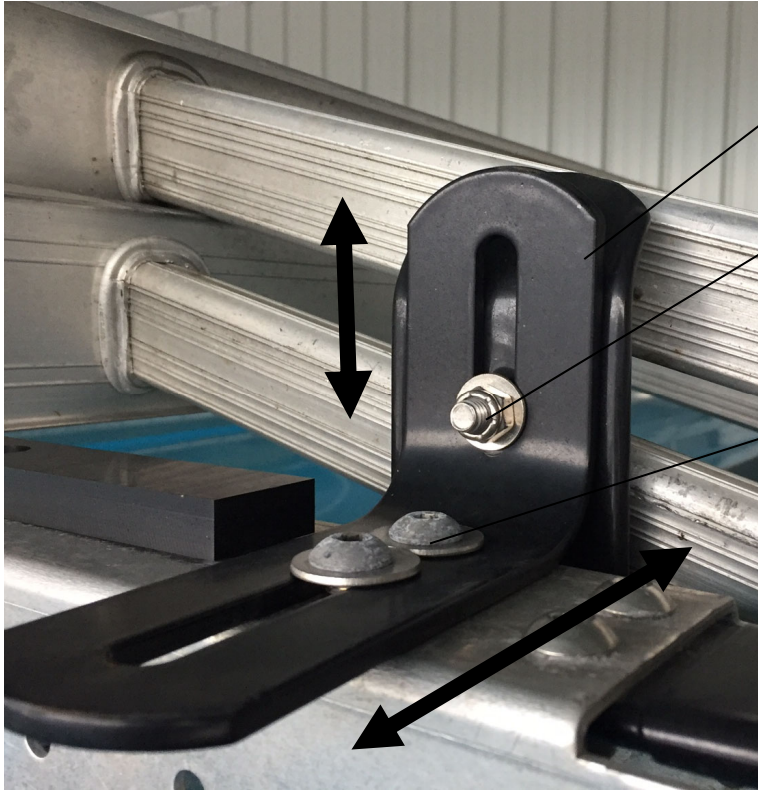
**DDL61 Series Final Adjustment Instruction (GMFSV / Ford Transit)**

**DOUBLE CHECK ALL FASTENERS LOCATIONS TO BE SURE THAT ALL FASTENERS ARE  
TIGHTENED TO SPECIFICATIONS.**

**YOUR INSTALLATION IS NOW COMPLETE!**

**STOW THIS COPY IN THE VEHICLE FOR FUTURE REFERENCES!**

**STEP #10A: HOW TO ADJUST THE CLAMP PADS**



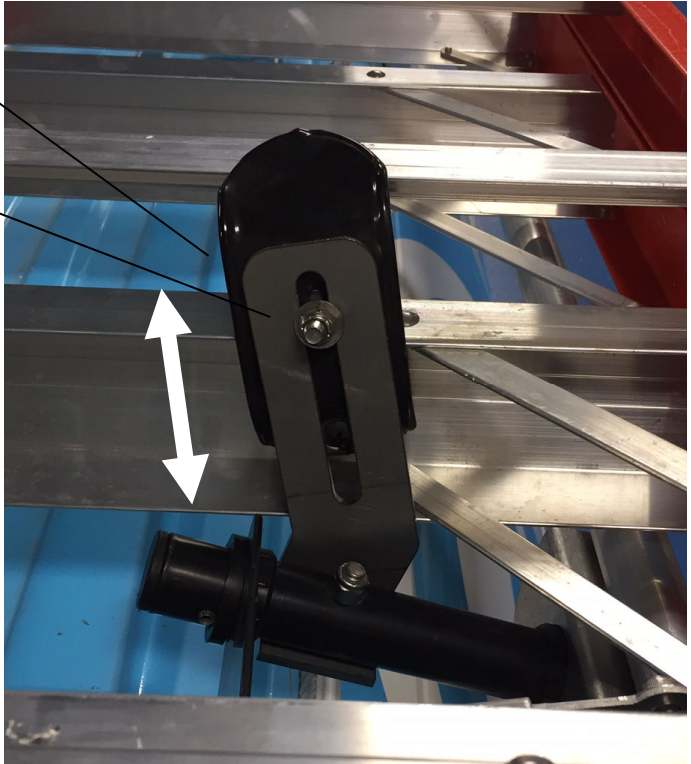
FRONT BRACKET

ADJUST VERTICALLY TO YOUR LADDER

ALL OF THE HORIZONTAL ADJUSTMENT IS IN THIS BRACKET.

REAR LOCKING PIVOT BRACKET

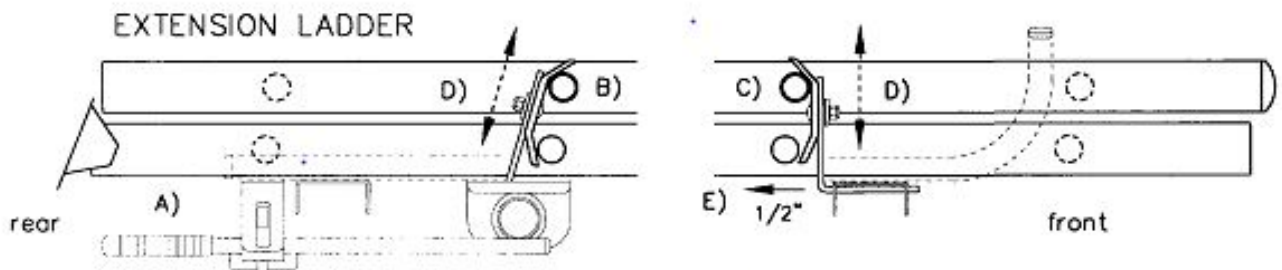
ADJUST VERTICALLY TO YOUR LADDER. SHOWING A STEP LADDER



**DOUBLE CHECK ALL FASTENERS LOCATIONS TO BE SURE THAT ALL FASTENERS ARE TIGHTENED TO SPECIFICATIONS.  
YOUR INSTALLATION IS NOW COMPLETE!  
STOW THIS COPY IN THE VEHICLE FOR FUTURE REFERENCES!**

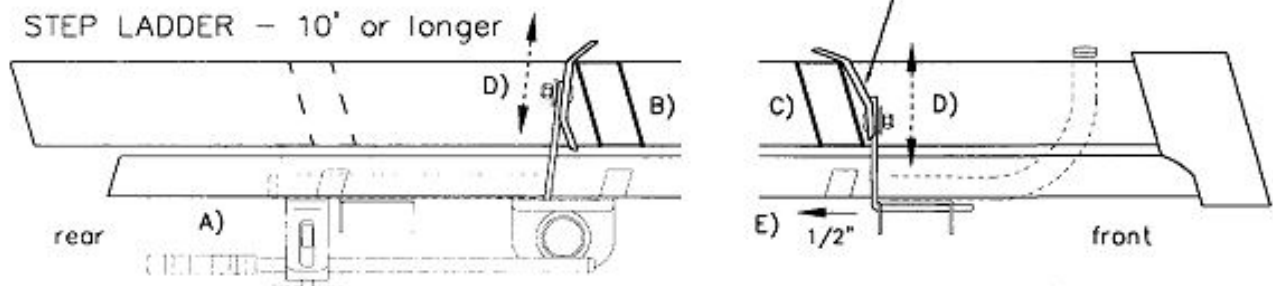
**STEP #10B : HOW TO ADJUST THE CLAMP PADS**

- A) Load your ladder onto the ladder rack (see page 14) and latch the HANDLE BAR into the HANDLE LATCH.
- B) Now slide the ladder back towards the rear of the vehicle and slide the rear CLAMP BRACKET to fit snug over and against the top ladder rung. \*\* See bottom illustration for STEP LADDERS ! \*\*  
SEE ILLUSTRATION BELOW.
- C) Next slide the FRONT STOP POST at the front of the ladder rack back towards the rear of the vehicle and fit the front CLAMP BRACKET to the top ladder rung the same as the rear.
- D) Firmly tighten both front and rear CLAMP BRACKETS to their posts and tighten snug the FRONT STOP POST to the front CROSS SUPPORT.
- E) Now unlatch the HANDLE BAR and unload your ladder. Next loosen the FRONT STOP POST and slide it out towards the rear of the vehicle 1/2" and FIRMLY RETIGHTEN !  
YOUR LADDER RACK SHOULD NOW BE ADJUSTED FOR YOUR LADDER.



**CAUTION:** Never clamp up the first step and the head of the STEP LADDER !

Front CLAMP BRACKET must be attached like this !



**DOUBLE CHECK ALL FASTENERS LOCATIONS TO BE SURE THAT ALL FASTENERS ARE TIGHTENED TO SPECIFICATIONS.  
YOUR INSTALLATION IS NOW COMPLETE!  
STOW THIS COPY IN THE VEHICLE FOR FUTURE REFERENCES!**

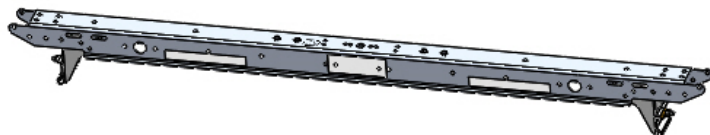
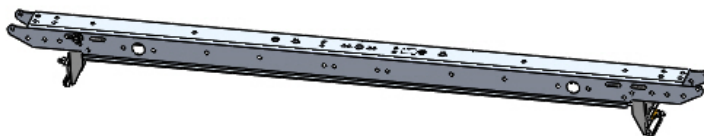
**Introduction / Comments:**

THIS ROOF RAIL AND CROSS BOW KIT IS DESIGNED FOR THE GM FSV, IT IS THE BASE UNIT FOR ALL OF THE LADDER RACK COMBINATIONS FOR THIS VEHICLE. INCLUDING THE SINGLE AND DOUBLE DROP DOWN LADDER RACK, THE SINGLE AND DOUBLE GRIP LOCK, AND THE COMBO GRIP LOCK DROP DOWN LADDER RACK.

**FOR A GM SIDE SLIDER DOOR, PLEASE ORDER A 55075 RISER KIT. THIS IS AVAILABLE UPON REQUEST. THESE FEET RAISE THE GRIP LOCK APPROX 2” AND CLEARS THE SIDE SLIDER DOOR. THIS ALSO COMES WITH A WIND DEFLECTOR AS RAISING THIS RACK CHANGED THE HARMONICS.**

**Note:**

It is advised that all fasteners used in this assembly and installation of this Rack should be checked for tightness at the following intervals: @ 2-weeks and again @ 6-weeks of operation. This preventive maintenance step must be completed to ensure your package gives you long service life.



TO VIEW INSTALL VIDEO



**RRKGMFSV  
ROOF RAIL AND CROSS BOW KIT  
GM FULL SIZE VAN**

## - PRECAUTIONS -





 **CAUTION**   
**THE USE OF AIR IMPACT TOOLS CAN  
OVER-TORQUE FASTENERS AND  
CAUSE FASTENER FAILURE!**



 **CAUTION**   
**ALL INSTALLATION HOLES SHOULD BE SEALED  
WITH SILICON OR BUTYL SEALANT TO PREVENT  
EXHAUST FUMES FROM ENTERING THE VEHICLE!**



 **DANGER**   
**INSPECT FOR FUEL TANK, FUEL LINES, BRAKE LINES, HIGH  
VOLTAGE BATTERIES AND ELECTRICAL LINES PRIOR TO  
DRILLING TO AVOID DAMAGING CRITICAL VEHICLE SYSTEMS  
OR INJURY TO INSTALLER DURING INSTALLATION PROCESS!**



 **CAUTION**   
**TO AVOID DAMAGING THE VEHICLE ALWAYS  
USE DRILL STOPS WHEN DRILLING ANY IN-  
STALLATION HOLES!**



## - IMPORTANT WARRANTY REQUIREMENTS -

1. SUBSTITUTING ADRIAN STEEL SPECIFIED FASTENERS FOR ASSEMBLY AND/OR INSTALLATION WILL VOID YOUR PRODUCT WARRANTY.
2. ALL HOLES DRILLED INTO VEHICLE SHOULD HAVE THE RAW METAL EDGES SEALED WITH A SELF-ETCHING PRIMER TO RESIST CORROSION AND POTENTIAL FASTENER POINT FAILURE.
3. ALL FASTENERS USED IN THE INSTALLATION OF THIS PRODUCT SHOULD BE TIGHTENED TO THE TORQUE(S) SPECIFIED IN THESE INSTRUCTIONS.
4. THESE INSTRUCTIONS SHOULD BE KEPT WITH THE VEHICLE.

### THE BASIC TOOLS NEEDED FOR MOST INSTALLATIONS



DRILL



DRILL BIT WITH  
STOP



RATCHET, SOCKETS  
AND/OR WRENCHES



SCREWDRIVERS

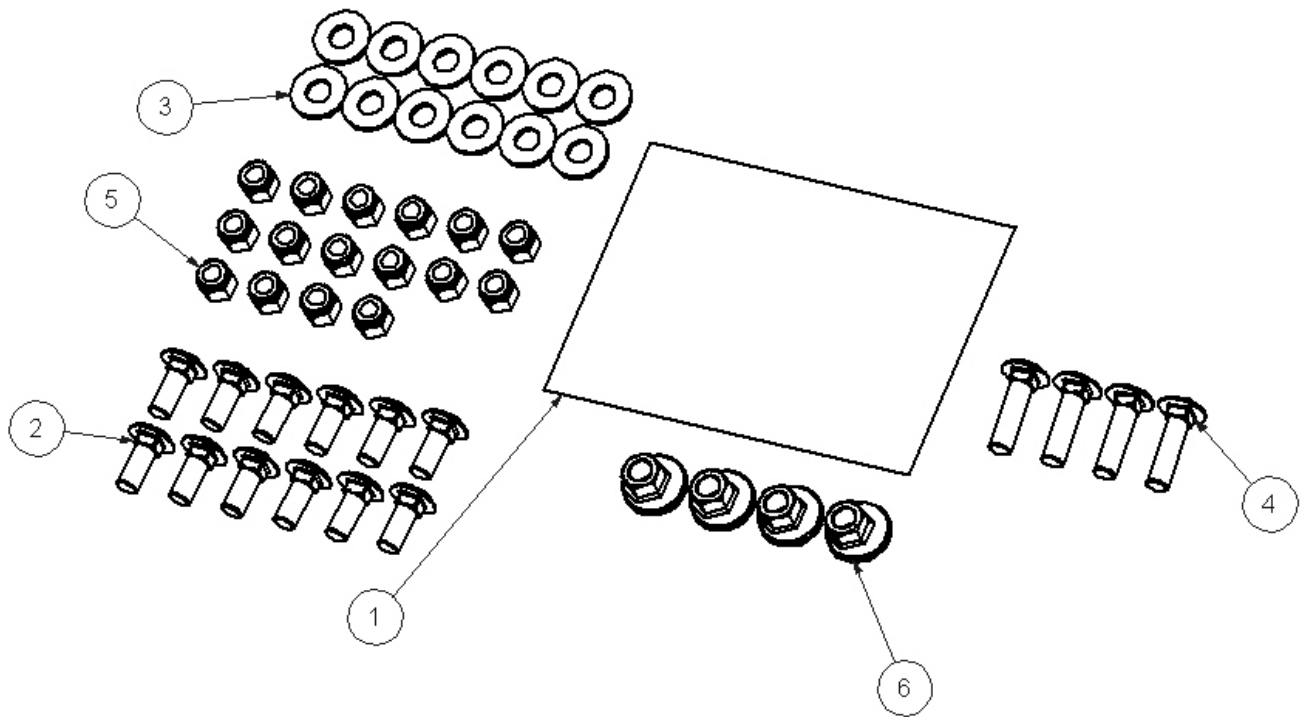


MEASURING TAPE

ADDITIONAL TOOLS MAY BE NEEDED FOR THIS INSTALLATION AND THEY WILL BE IDENTIFIED IN THE STEPS THAT FOLLOW.

BAG51368 - FASTENER BAG

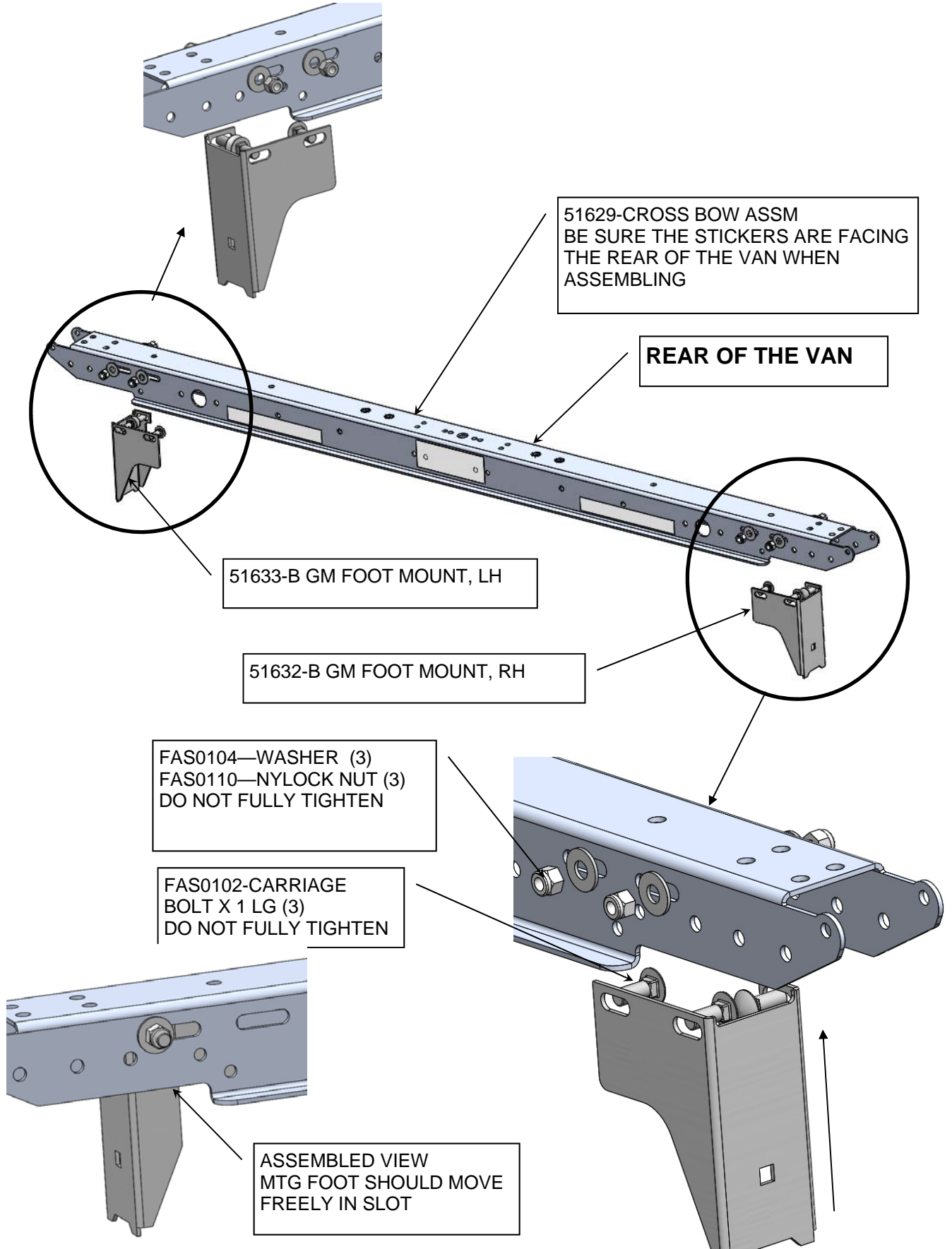
ITEM NO.	PART NUMBER	DESCRIPTION	QTY.
1	BAG0507-A	5" x 7" 3MIL AUTOBAG	1
2	FAS0102	Bolt, Carriage, 3/8-16x1, NZ G5	12
3	FAS0104	Washer, Flat, 3/8, NI ZN	12
4	FAS0117	Bolt, Carriage, 3/8-16x1.5, NZ, G5	4
5	FAS0110	Nut, Hex Nylok 3/8-16 SS W	16
6	07466-0	ADJUSTING CAM NUT	4





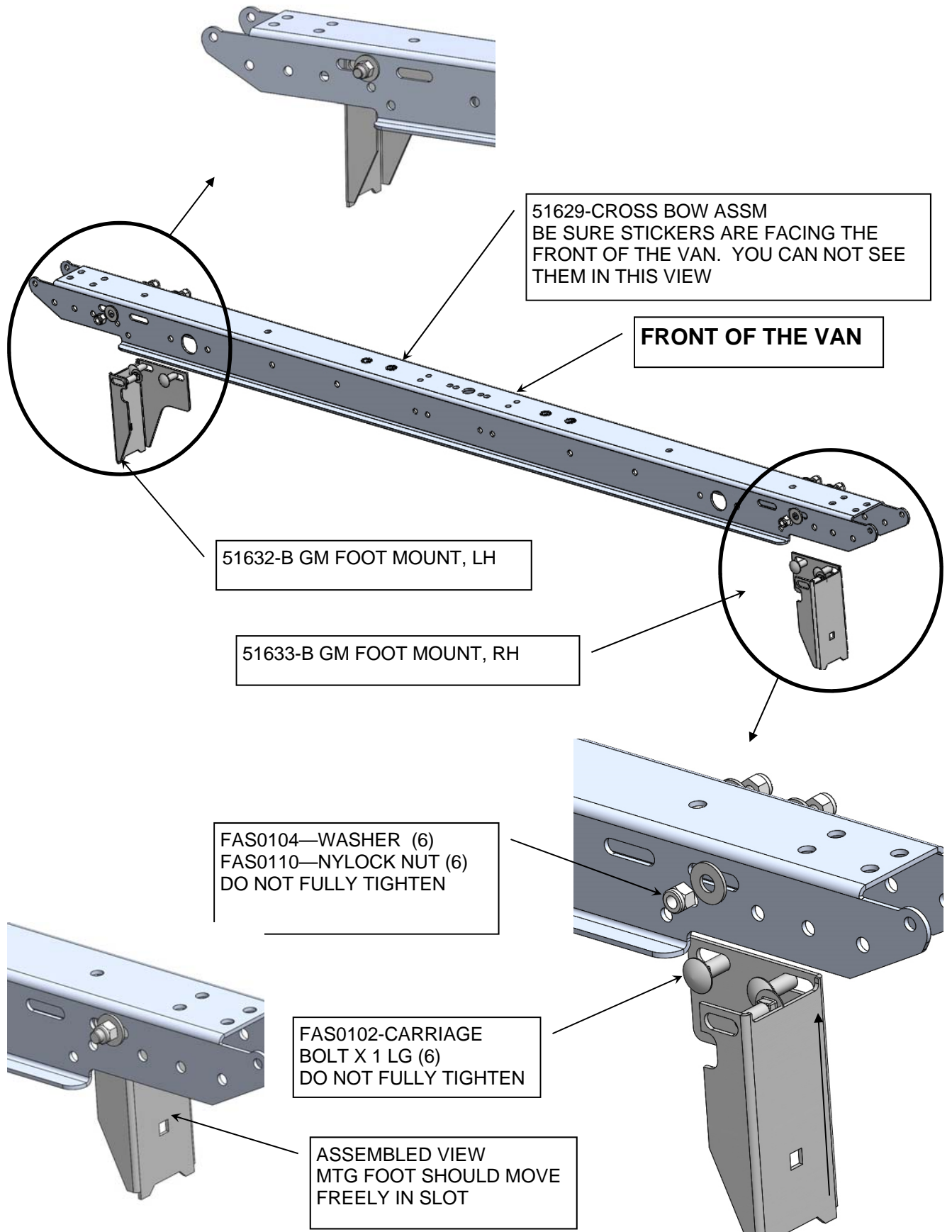


**STEP #1 : ASSEMBLE REAR CROSS BOW**



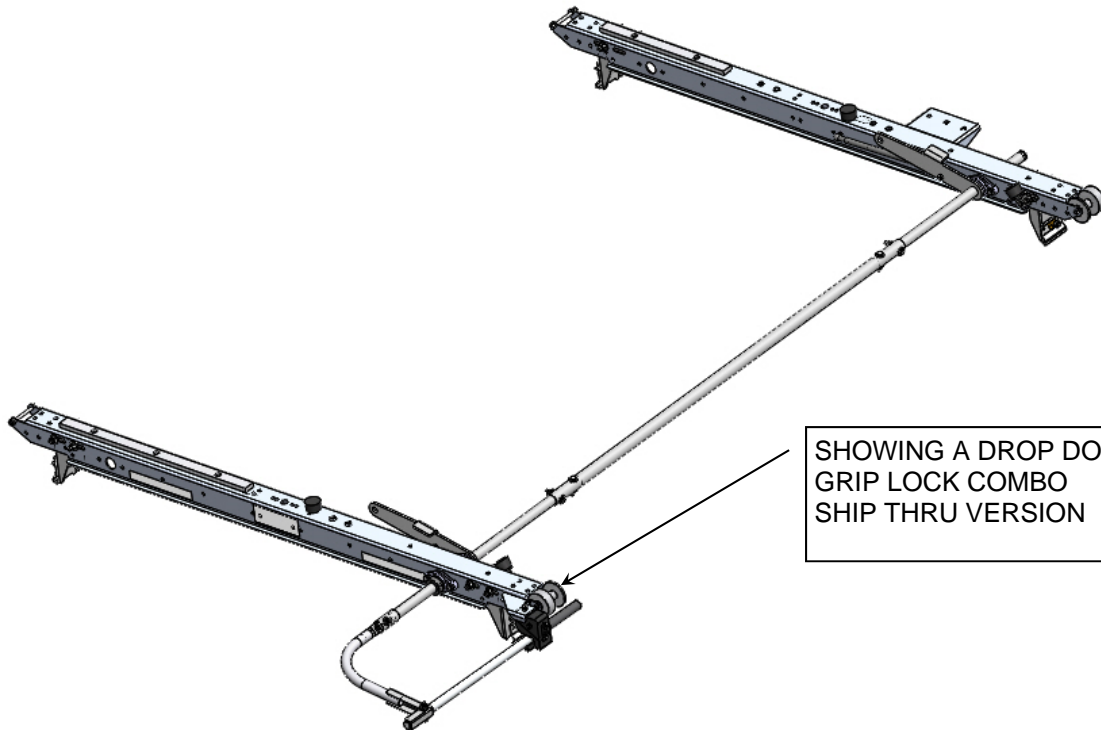


**STEP #2 : ASSEMBLE FRONT CROSS BOW**

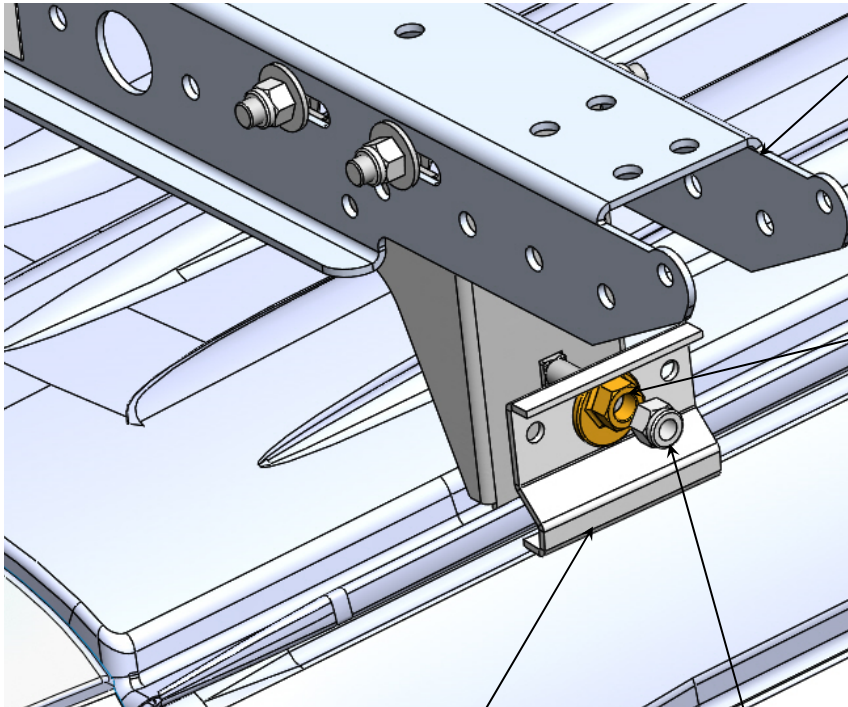




**STEP #3 : FOLLOWING THE DROP DOWN / GRIP LOCK INSTRUCTIONS,  
ASSEMBLE WHAT YOU CAN PRIOR TO INSTALLING ON THE VEHICLE.**



**STEP #4A : LOCATE AND ATTACH REAR CROSS BOW TO THE VEHICLE.**



51629-REAR CROSS BOW ASSM HAS ASCO CENTER STICKER AND TWO SAFETY STICKERS

ROTATE CAM NUT CLOCKWISE TO TIGHTEN THE FOOT CLAMP AGAINST THE DRIP RAIL. NOW FIRMLY TIGHTEN THE 3/8 NYLOCK NUT

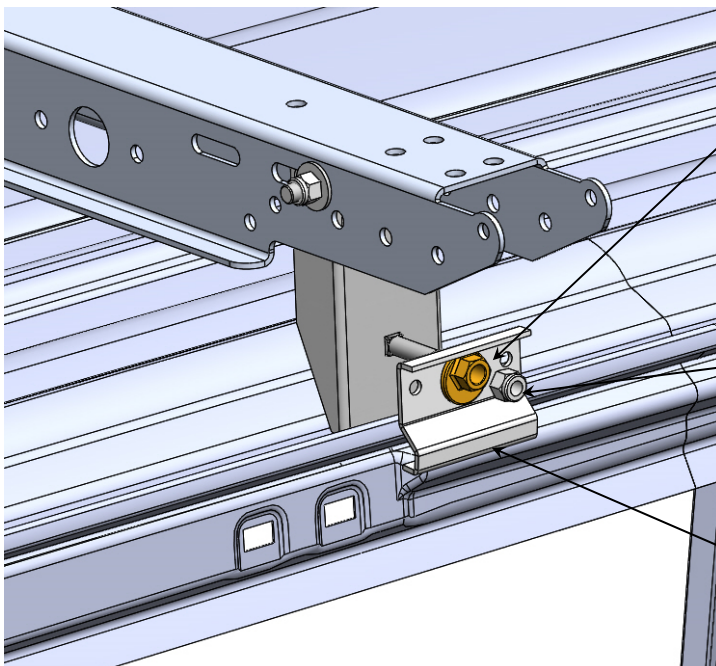
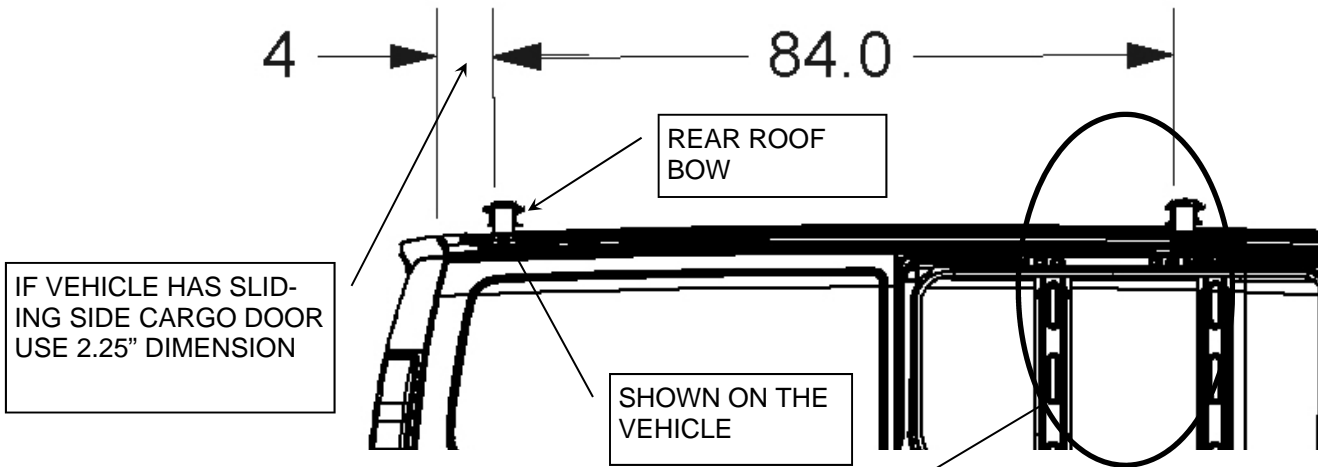
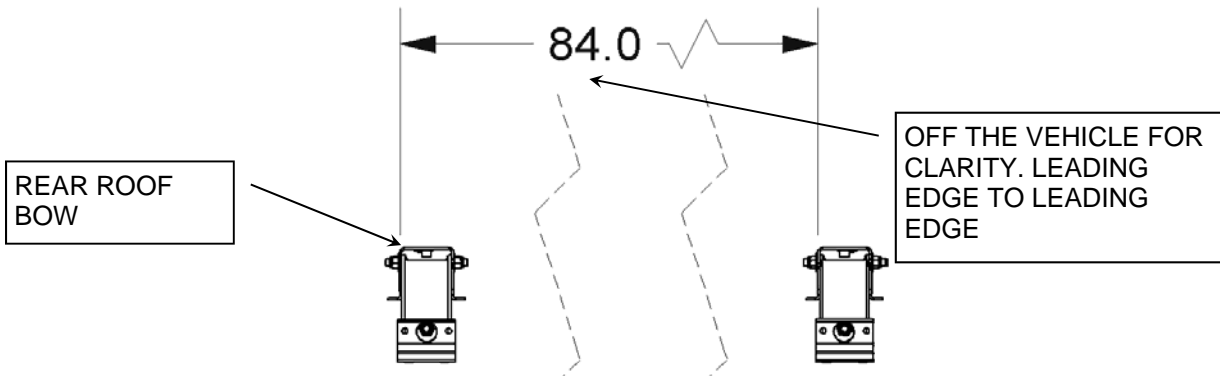
22856-B GM FOOT CLAMP

FAS0117—CARRIAGE BOLT (2)  
07466-0—ADJUSTING CAM (2)  
FAS0110—NYLOCK NUT (2)



REAR OF THE VAN

**STEP #5 : LOCATE AND ATTACH FRONT CROSS BOW TO THE VEHICLE.**



ROTATE CAM NUT  
CLOCKWISE TO TIGHTEN  
THE FOOT CLAMP  
AGAINST THE DRIP RAIL.  
NOW FIRMLY TIGHTEN  
THE 3/8 NYLOCK NUT

FAS0117—CARRIAGE BOLT(2)  
07466-0—ADJUSTING CAM (2)  
FAS0110—NYLOCK NUT (2)

22856-B GM FOOT CLAMP