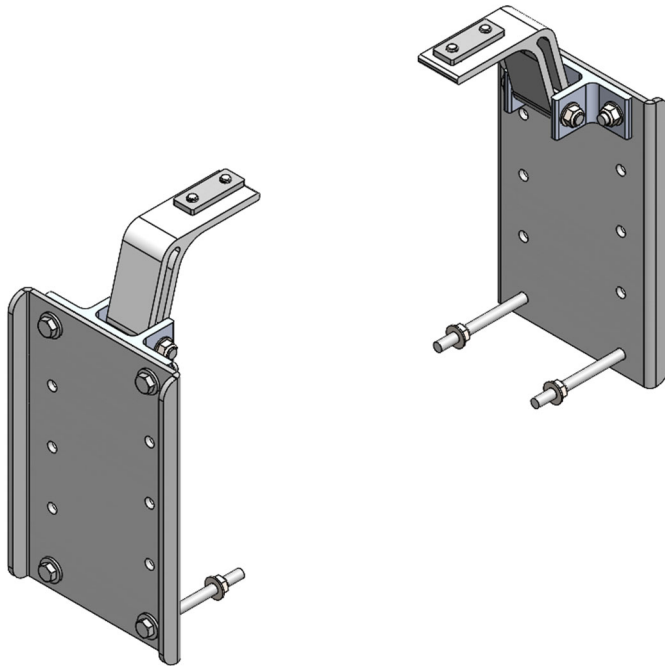




Mounting Bracket Kit, 2-Pack, White, Box Truck



PRODUCT WEIGHT
7.6 LBS

HEIGHT
6.8-12.8 in.

CAPACITY
**REFER TO OEM'S
RECOMMENDED LOAD
RATING**

COLOR

WHITE

CATALOG NUMBER

BOXMBK2W

PRODUCT FEATURES

Box truck and trailer steel mounting bracket kit for the PROFILE™ HD Utility Rack, Pro-Lift, or combo racks with 3+Bars. Mounting kit works for MOST box trucks, round top trailers, and box trailers. Can be mounted using any set of holes that best clears roof.

Utility racks are not recommended for high roof vehicles!

Crossbow length will be determined by width of trailer / box truck.

SEE PAGE 2 FOR APPLICATION NOTES AND ACCESSORIES, OTHER PRODUCTS THAT WORK WITH THIS UNIT.

PAGE 1 of 2

The information contained in this document is the sole property of ADRIAN STEEL COMPANY. ADRIAN STEEL COMPANY retains the right to modify and/or change the product of its design at any time without prior notification.



CATALOG NUMBER **BOXMBK2W**

PRODUCT APPLICATION

This product is designed to be installed on box trucks, rounded top trailers, and box trailers. HD Utility Racks are not recommended for high roof vehicles!

ACCESSORIES THAT WILL WORK WITH THIS PRODUCT

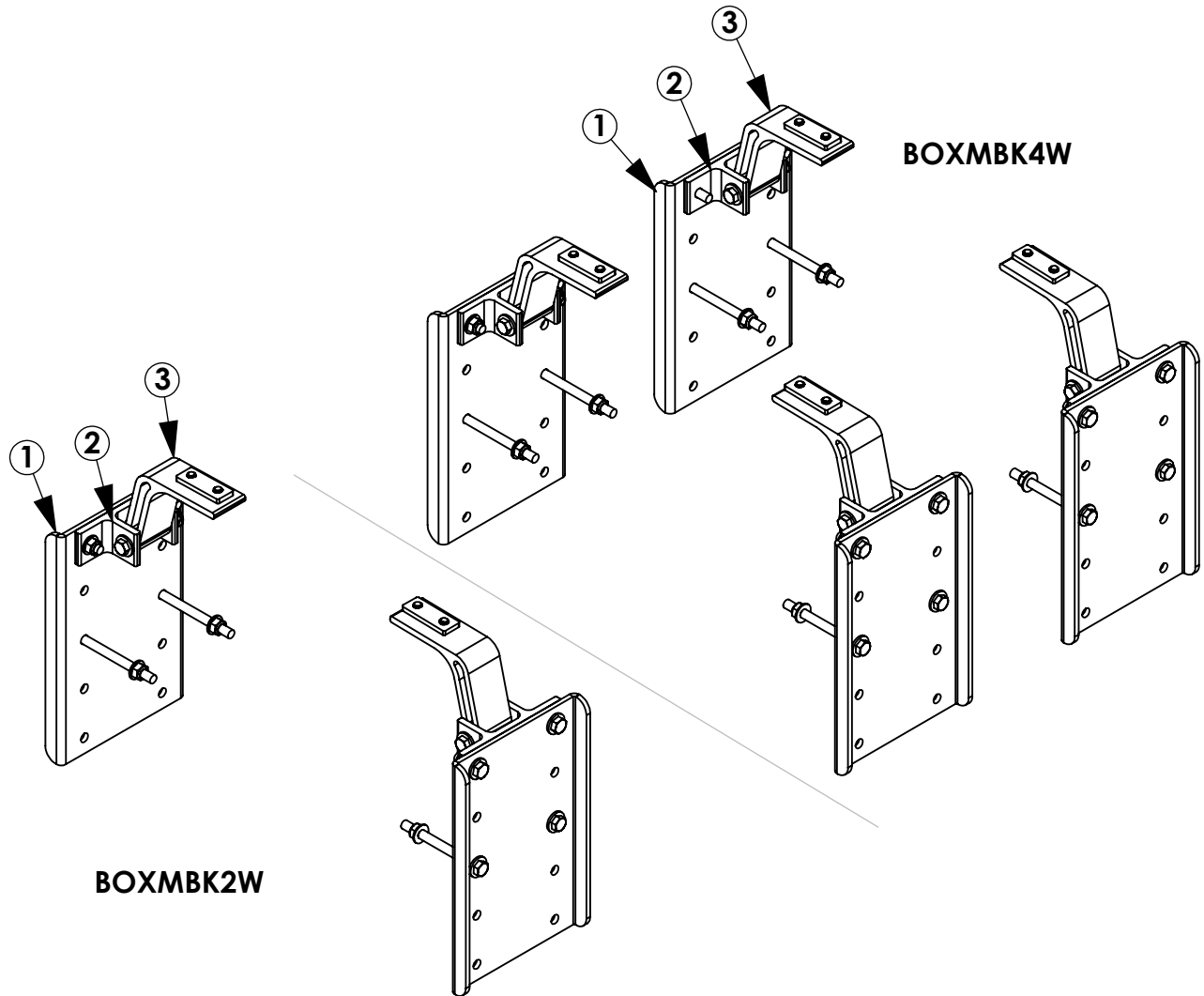
CATALOG NUMBER	DESCRIPTION	CATALOG NUMBER	DESCRIPTION
2BARBOXW	2-Crossbar Kit, 96", White, Box Truck	1BARBOXW	Single Crossbar Kit, 96", White, Box Truck
2BARTRW	2-Crossbar Kit, 84", White, Trailer	1BARTRW	Single Crossbar Kit, 84", White, Trailer
2BARW	2-Crossbar Kit, 68", White, Full Size Van	1BARW	Single Crossbar Kit, 68", White, Full Size Van
2BARCW	2-Crossbar Kit, 58", White, Minivan	1BARCW	Single Crossbar Kit, 58", White, Minivan
2BARTOPW	2-Crossbar Kit, 48", White, Multiple Pickups	1BARTOPW	Single Crossbar Kit, 48", White, Multiple Pickups
BOXMBK4W	Mounting Bracket Kit, 4-Pack, White, Box Truck		
4UPK4B	4" Upright Kit, 4-Pack, Black	4UPK2B	4" Upright Kit, 2-Pack, Black
6UPK4B	6" Upright Kit, 4-Pack, Black	6UPK2B	6" Upright Kit, 2-Pack, Black
9UPK4B	9" Upright Kit, 4-Pack, Black	9UPK2B	9" Upright Kit, 2-Pack, Black
RSK1B	Single Ratchet Upright Kit, 9"	ULSKB	Single Ladder Stop Kit
70-1NGLR	4" End Cap for PVC Conduit	70-2NGLR	6" End Cap for PVC Conduit
80-1NGLR	Conduit Kit, 10w x 6h x 126d, Multiple Vehicles	80-2NGLR	Conduit Kit, 10w x 6h x 150d, Multiple Vehicles

<i>INSTR. NUMBER</i> : 66461 <i>PART NUMBER</i> : BOXMBK <i>PART DESC.</i> : UTILITY,MNT BKT KT,BOX	<i>PG:</i> 1	<i>REV:</i> A	<i>ITEM NO.</i> 1	<i>PART NUMBER</i> 66452-W	UTILITY,BOX MOUNT BRKT,W	BOXMBK4W 4	BOXMBK2W 2
			2	63852-W	UTILITY, MOUNTING BRKT, W	4	2
			3	68202-W	PROFILE, MOUNTING ARM, W	4	2

NOTE: THIS INSTRUCTION IS VALID FOR THE FOLLOWING KITS:

**-PART NUMBERS WITH "-W" SUFFIX ARE PAINTED WHITE
 -FOR BLACK MOUNTING KITS, REPLACE "-W" PARTS WITH "-B" PARTS**

- BOXMBK4W**
- BOXMBK2W**
- BOXMBK4B**
- BOXMBK2B**



GET TO KNOW THE VEHICLE - AT THE BEGINNING OF ANY INSTALLATION, CHECK THE LOCATION OF THE FUEL TANK, FUEL LINES, BRAKE LINES, HIGH VOLTAGE BATTERIES AND WIRING HARNESSSES TO AVOID INJURY OR PROPERTY DAMAGE FROM TOOL CONTACT.

SEAL ALL EXTERIOR HOLES - ALL INSTALLATION HOLES SHOULD BE SEALED WITH BUTYL TAPE OR SILICON TO PREVENT WATER AND EXHAUST GASES FROM ENTERING THE VEHICLE.

CONTROL DRILL DEPTH - TO AVOID DAMAGE TO THE VEHICLE, USE A DRILL STOP OR CLEARED STEP BIT WHEN DRILLING INSTALLATION HOLES.

ALWAYS ADD PRIMER - WHEN ADDING INSTALLATION HOLES BE SURE TO USE A SELF-ETCHING PRIMER TO PREVENT CORROSION, FASTENER FAILURE AND INJURY.

MOUNTING POINTS MUST HAVE METAL-TO-METAL CONTACT - USE PROVIDED MOUNTING SPACERS TO ACCOMMODATE FOR VEHICLE FEATURES, CARPET OR SUBFLOORS.

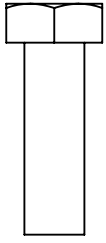
PROVIDE CLEARANCE FOR SPACERS - IF THE INSTALLATION VEHICLE CONTAINS A CARPET OR SUBFLOOR, USE A 1-3/16" DIAMETER CARPET CUTTER (P/N: 31183-0) AT ALL MOUNTING LOCATIONS TO OPEN UP ROOM FOR SPACERS.

CHECK SPACER ORIENTATION - BE SURE THAT THE INDENT IN THE SPACER COVERS THE PLUSNUT HEAD; THIS ENSURES THE MOST METAL-TO-METAL CONTACT AND REDUCES VIBRATION.

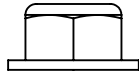
PLUSNUT INSTALLATION - A PLUSNUT GUN IS RECOMMENDED FOR PLUSNUT INSTALLATION FOR ITS PRODUCTION SPEED. HOWEVER, A PLUSNUT SETTING TOOL CAN ALSO BE USED (P/N: 22200-0).

THRU-BOLT CLEARANCE - WHEN USING A THRU-BOLT AT ANY MOUNTING LOCATION, BE SURE THAT YOUR HOLE HAS 1/16" CLEARANCE.

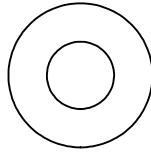
FASTENERS USED



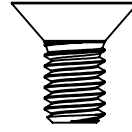
FAS0597
5/16-18X1.0 SS
HH SCREW
QTY: 8



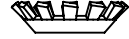
FAS0861
5/16-18 SS
HH FLG NUT
QTY: 20



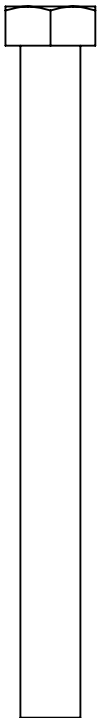
FAS0552
5/16 SS
FLAT WASHER
QTY: 20



FAS0858
5/16-18X.63
FHH SCREW
QTY: 8



FAS0857
5/16 SS
WASHER, LCK EXT CS
QTY: 8



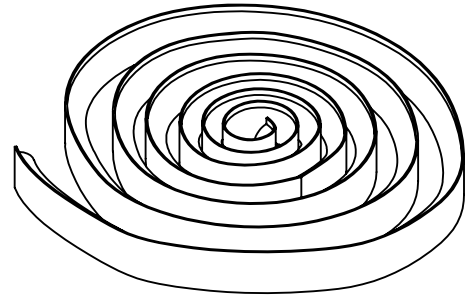
FAS0433
5/16-18X3.5 SS
HH SCREW
QTY: 8



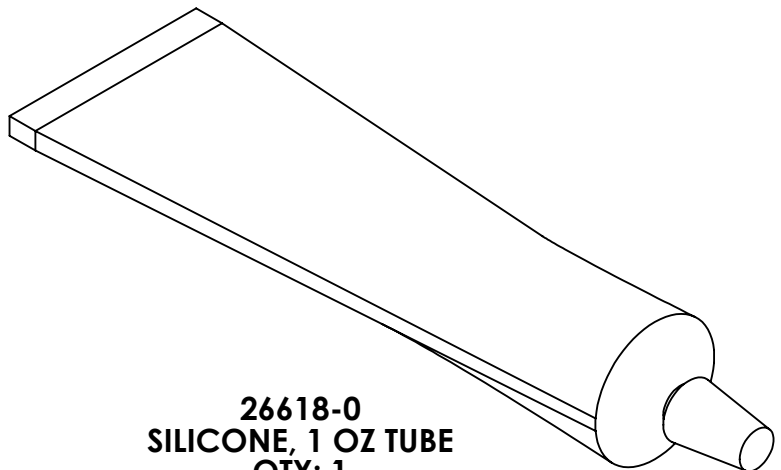
FAS0243
5/16-18X2.5 SS
HH SCREW
QTY: 4



68034
PROFILE FOOT
MOUNTING PLATE
QTY: 4

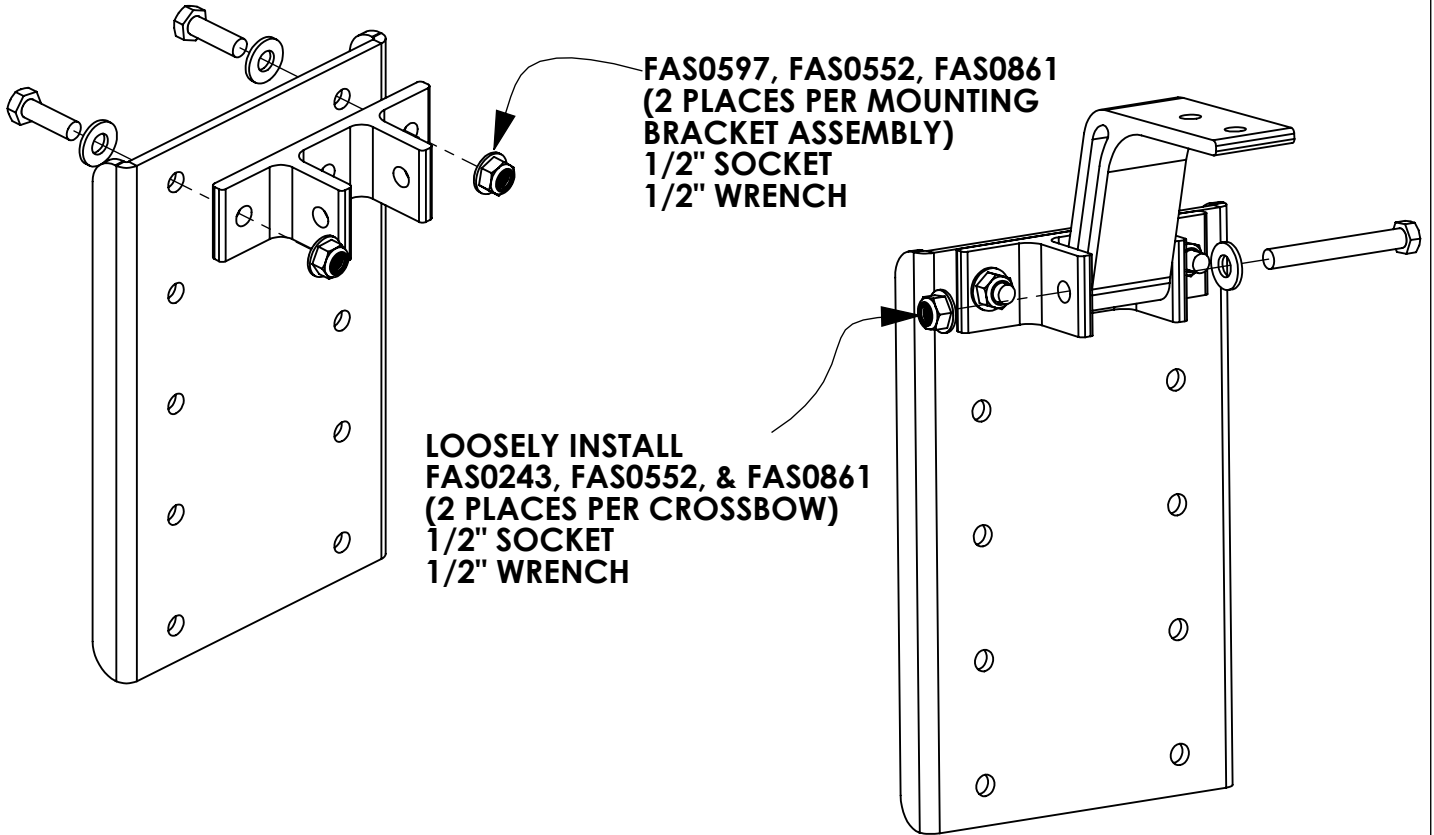


05586-0
BUTYL TAPE, T224
1FT ROLL
QTY: 4

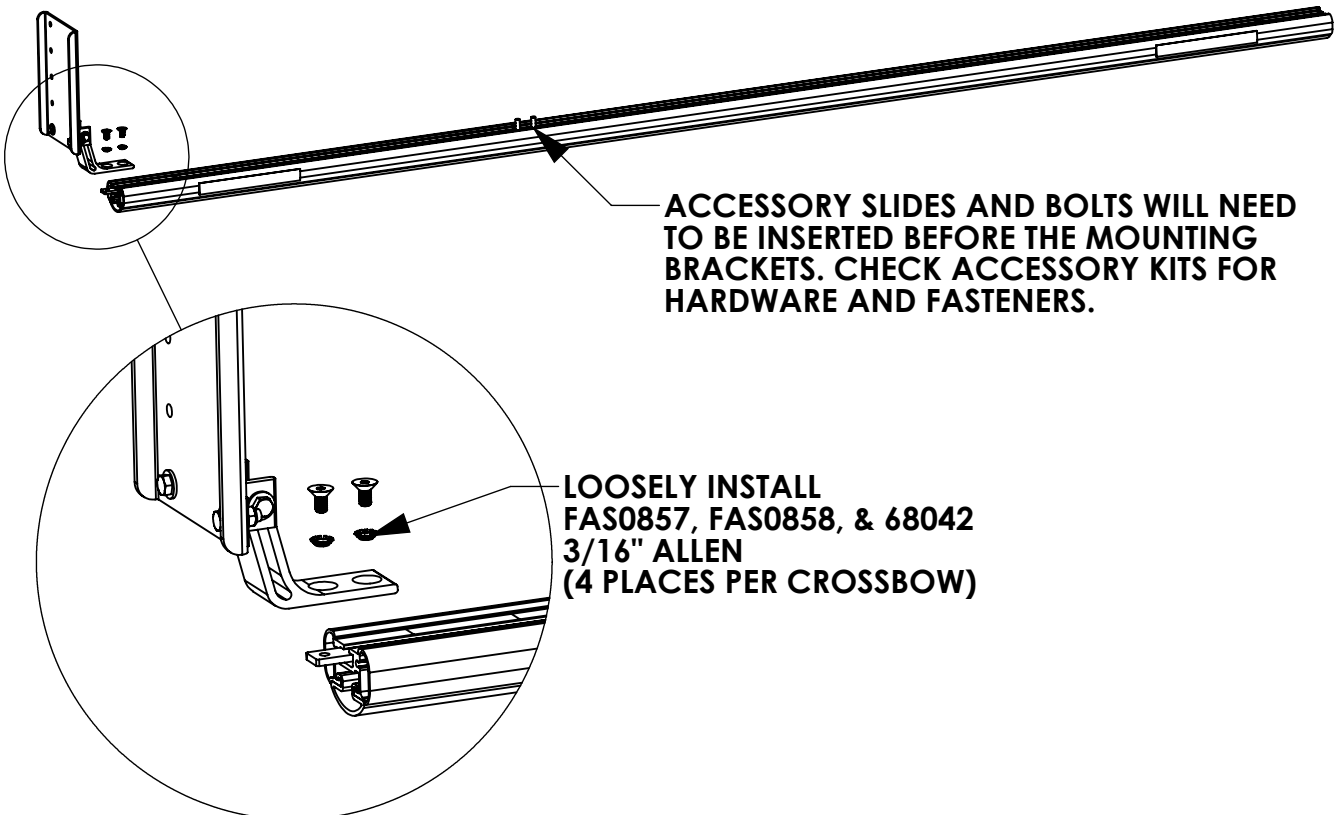


26618-0
SILICONE, 1 OZ TUBE
QTY: 1

STEP 1 - ASSEMBLE MOUNTING SUB-ASSEMBLY

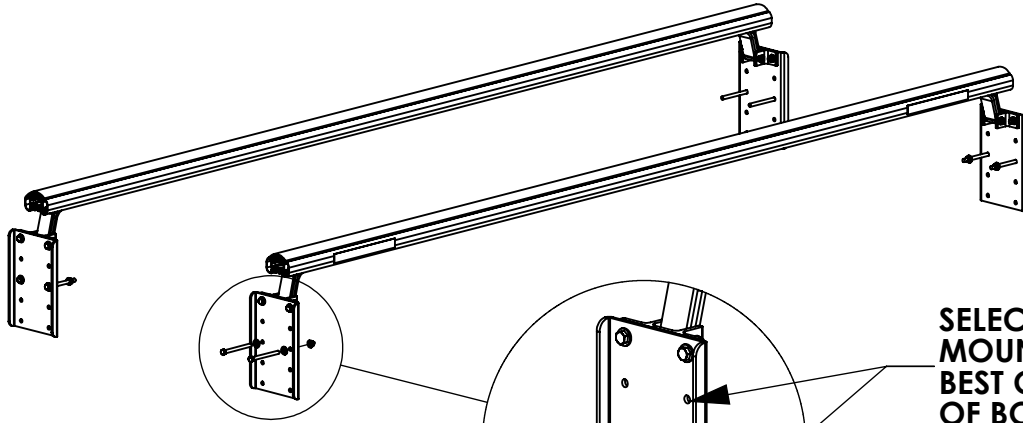


STEP 2 - ASSEMBLE MOUNTING SUB-ASSEMBLY TO CROSSBOW



STEP 6 - MOUNT CROSSBOW ASSEMBLY TO BOX TRUCK/TRAILER, SECURE CROSSBOWS

DRILL HOLE INTO BOX TRUCK / TRAILER BODY USING 1 1/32" DRILL BIT. ADD SILICONE AROUND DRILLED HOLES WHEN INSTALLING RACK!!



SELECT SET OF MOUNTING HOLES THAT BEST CLEARS THE ROOF OF BOX TRUCK/ TRAILER

**FAS0433, FAS0552, & FAS0861
(2 PLACES PER MOUNTING BRACKET ASSEMBLY)**

**1/2" SOCKET
1/2" WRENCH**

**WRAP BUTYL TAPE AROUND FASTENER HEAD AND SEAL HOLE WITH SILICONE BEFORE INSTALLING
(2 PLACES PER MOUNTING BRACKET ASSEMBLY)**

CROSSBOW POSITIONING NOTES:

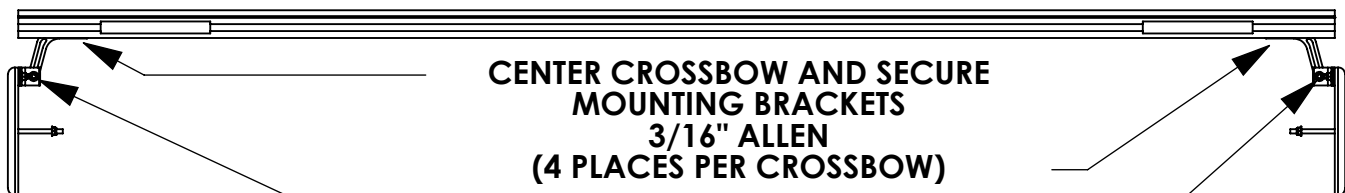
HD UTILITY RACK -

**REAR CROSSBOW - REARWARD AS POSSIBLE
FRONT CROSSBOW- POSITION TO BEST FIT END USER'S PRODUCT**

GRIP LOCK/PROLIFT LADDER RACKS -

REFER TO RESPECTIVE INSTRUCTION FOR CROSSBOW PLACEMENT.

STEP 4 - SECURE CROSSBOW



**CENTER CROSSBOW AND SECURE MOUNTING BRACKETS
3/16" ALLEN
(4 PLACES PER CROSSBOW)**

**1/2" SOCKET
1/2" WRENCH
(2 PLACES PER CROSSBOW)**

AFTER POSITIONING CROSSBOWS, FULLY TIGHTEN FASTENERS FROM STEP 3