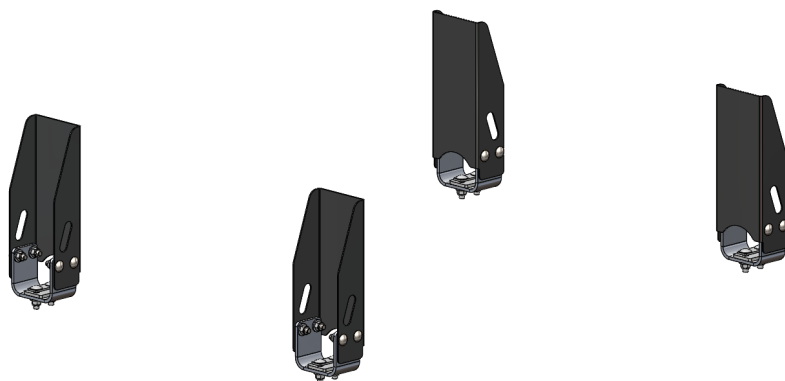


## 9" Upright Kit, 4-Pack, Black



PRODUCT WEIGHT  
**11.4 LBS**

WIDTH x DEPTH x HEIGHT  
**3.8" x 2.3" x 9"**

CAPACITY  
**N/A**

COLOR  
**BLACK**

CATALOG NUMBER  
**9UPK4B**

### PRODUCT FEATURES

Galvanized steel 9" uprights fully plastisol coated for PROFILE™ HD Utility and combo ladder racks. Works on all vehicle platforms. Works with all conduit kits and rear rollers.

Utility style ladder racks are not recommended for medium and high roof vehicles!

Please refer to OEM specific mounting kit and rail kit for additional information on compatible accessories.

**SEE PAGE 2 FOR APPLICATION NOTES AND ACCESSORIES, OTHER PRODUCTS THAT WORK WITH THIS UNIT.**



**CATALOG NUMBER 9UPK4B**

**PRODUCT APPLICATION**

**This product is for PROFILE™ HD Utility and combo ladder racks. Works on all vehicle platforms. Utility style ladder racks are not recommended for medium or high roof vehicles!**

**ACCESSORIES THAT WILL WORK WITH THIS PRODUCT**

<b>CATALOG NUMBER</b>	<b>DESCRIPTION</b>
<b>2BARW</b>	<b>2-Crossbar Kit, 68”, White, Full Size Van</b>
<b>2BARCW</b>	<b>2-Crossbar Kit, 58”, White, Minivan</b>
<b>1BARW</b>	<b>Single Crossbar Kit, 68”, White, Full Size Van</b>
<b>1BARCW</b>	<b>Single Crossbar Kit, 58”, White, Minivan</b>

INSTR. NUMBER : <b>65319</b>		PG: <b>1</b>	REV: <b>C</b>	ITEM NO.	PART NUMBER	DESCRIPTION	QTY.
PART NUMBER • <b>6UPK2B</b> PART NUMBER • <b>9UPK2B</b>				1	65120-W	UTILITY,UPR MOUNT BRKT,W	2
				2	63848-B	UTILITY, UPRIGHT, 6", B	2
PART • UTILITY,6" UPRIGHT KIT,2B DESC. • UTILITY,9" UPRIGHT KIT,2B				3*	65120-W	UTILITY,UPR MOUNT BRKT,W	2
				4*	64060-B	UTILITY, UPRIGHT, 9", B	2

**NOTE: THIS INSTRUCTION IS VALID FOR THE FOLLOWING UPRIGHT KITS:**

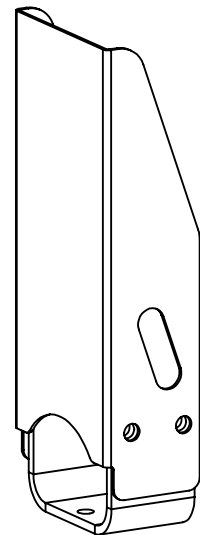
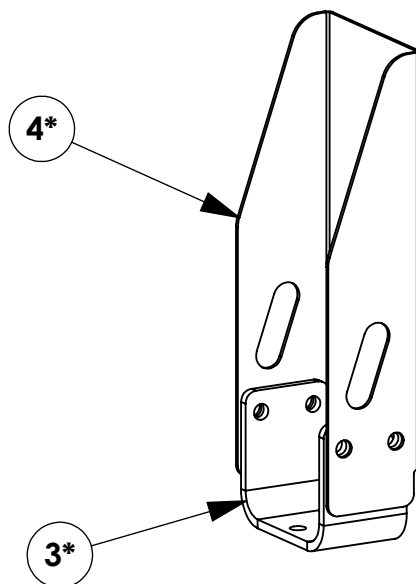
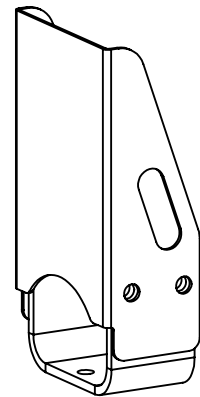
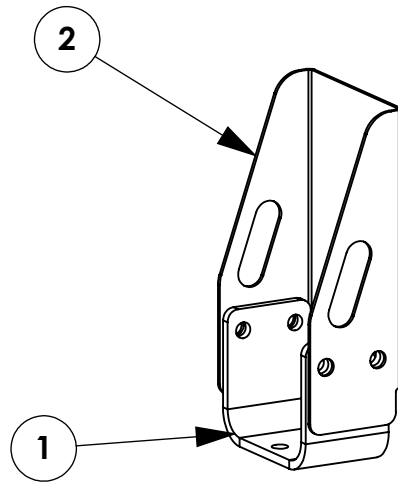
**6UPK2B (SHOWN)**

**6UPK4B**

**9UPK2B**

**9UPK4B**

**ITEMS NOTED (#\*) ARE PART OF 9UPK2B**



**GET TO KNOW THE VEHICLE** - AT THE BEGINNING OF ANY INSTALLATION, CHECK THE LOCATION OF THE FUEL TANK, FUEL LINES, BRAKE LINES, HIGH VOLTAGE BATTERIES AND WIRING HARNESSSES TO AVOID INJURY OR PROPERTY DAMAGE FROM TOOL CONTACT.

**SEAL ALL EXTERIOR HOLES** - ALL INSTALLATION HOLES SHOULD BE SEALED WITH BUTYL TAPE OR SILICON TO PREVENT WATER AND EXHAUST GASES FROM ENTERING THE VEHICLE.

**CONTROL DRILL DEPTH** - TO AVOID DAMAGE TO THE VEHICLE, USE A DRILL STOP OR CLEARED STEP BIT WHEN DRILLING INSTALLATION HOLES.

**ALWAYS ADD PRIMER** - WHEN ADDING INSTALLATION HOLES BE SURE TO USE A SELF-ETCHING PRIMER TO PREVENT CORROSION, FASTENER FAILURE AND INJURY.

**MOUNTING POINTS MUST HAVE METAL-TO-METAL CONTACT** - USE PROVIDED MOUNTING SPACERS TO ACCOMMODATE FOR VEHICLE FEATURES, CARPET OR SUBFLOORS.

**PROVIDE CLEARANCE FOR SPACERS** - IF THE INSTALLATION VEHICLE CONTAINS A CARPET OR SUBFLOOR, USE A 1-3/16" DIAMETER CARPET CUTTER (P/N: 31183-0) AT ALL MOUNTING LOCATIONS TO OPEN UP ROOM FOR SPACERS.

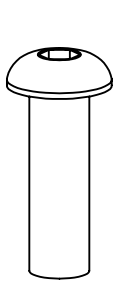
**CHECK SPACER ORIENTATION** - BE SURE THAT THE INDENT IN THE SPACER COVERS THE PLUSNUT HEAD; THIS ENSURES THE MOST METAL-TO-METAL CONTACT AND REDUCES VIBRATION.

**PLUSNUT INSTALLATION** - A PLUSNUT GUN IS RECOMMENDED FOR PLUSNUT INSTALLATION FOR ITS PRODUCTION SPEED. HOWEVER, A PLUSNUT SETTING TOOL CAN ALSO BE USED (P/N: 22200-0).

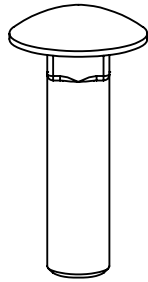
**THRU-BOLT CLEARANCE** - WHEN USING A THRU-BOLT AT ANY MOUNTING LOCATION, BE SURE THAT YOUR HOLE HAS 1/16" CLEARANCE.

**FASTENERS USED**

**QUANTITIES ARE LISTED FOR 6UPK2B / 9UPK2B.  
QUANTITIES WILL VARY BASED ON NUMBER OF UPRIGHTS**



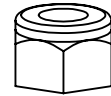
FAS0813  
5/16-18x1.0 SS  
BHCS SCREW  
QTY: 8



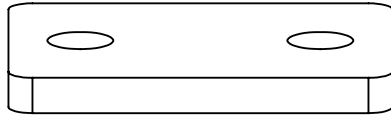
FAS0812  
5/16-18x1.25 SS  
CRG BOLT  
QTY: 4



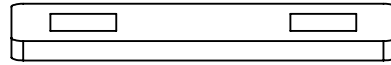
FAS0552  
5/16 SS  
FLAT WASHER  
QTY: 12



FAS0248  
5/16-18 SS  
NLK HEX NUT  
QTY: 12



63933  
UTILITY,  
SPACER  
QTY: 2

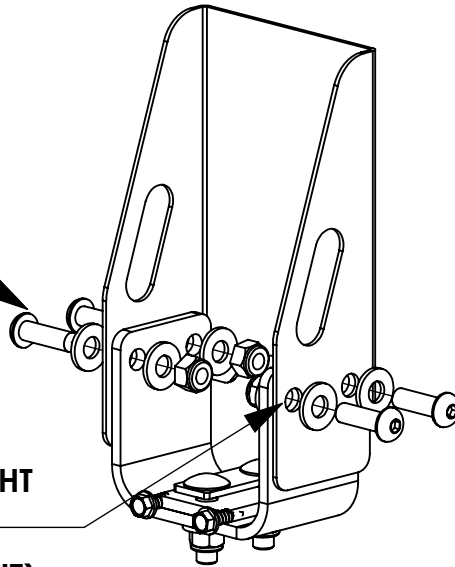


63934  
UTILITY,  
BOLT PLATE  
QTY: 2

**BEGIN ASSEMBLY**  
**STEP 1 - ASSEMBLE UPRIGHTS**

FAS0813, (2) FAS0552,  
AND FAS0248  
(4 PLACES PER UPRIGHT)  
3/16 HEX DRIVE  
1/2 SOCKET

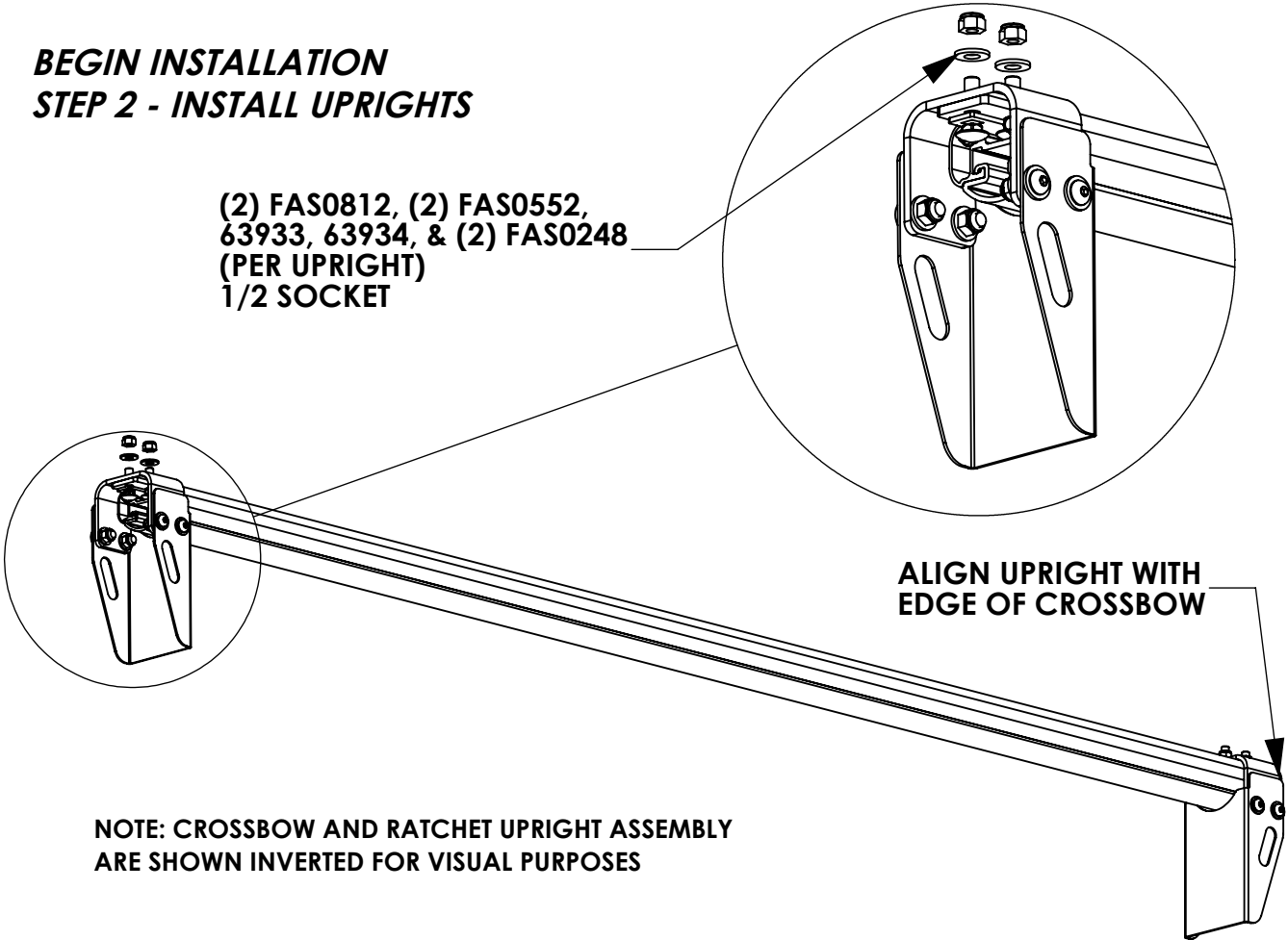
DRILL HOLES IN UPRIGHT  
WITH 11/32" DRILL BIT  
BEFORE ASSEMBLING!  
(4 PLACES PER UPRIGHT)



**BEGIN INSTALLATION**  
**STEP 2 - INSTALL UPRIGHTS**

(2) FAS0812, (2) FAS0552,  
63933, 63934, & (2) FAS0248  
(PER UPRIGHT)  
1/2 SOCKET

ALIGN UPRIGHT WITH  
EDGE OF CROSSBOW



NOTE: CROSSBOW AND RATCHET UPRIGHT ASSEMBLY  
ARE SHOWN INVERTED FOR VISUAL PURPOSES

CONTINUE WITH INSTALLATION WITH THE MOUNTING KIT INSTRUCTIONS