



ADRIAN STEEL CO.
906 JAMES STREET
ADRIAN, MI 49221
517/265-6194

76
OUTER RAIL COVER KIT
for FSV, MV, & CPU
LADDER RACKS

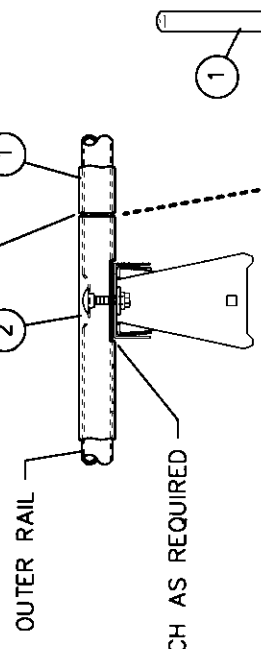
DWG BY: ECN# 6071 DATE: 8/29/02 CHK BY: S/L 76 PACKAGE# ISS: A
PACKAGE WEIGHT: 1.00 # REF: 21714 HCG= 00 VCG= 00
ITEM PART NO. DESCRIPTION QTY.

1	21715	PVC,COVER,HORN,OUTER RAIL,1.25x12.5	1
2	21716	PVC,COVER,FULL OUTER RAIL,1.25x8'	1

ITEM #1 HORN COVER MUST BE SLIPPED OVER HORN AND PUSHED DOWN AND AROUND THE CURVE. ** ITEM #1 WILL SLIP ON EASIER WITH A LITTLE SOAP & WATER. **

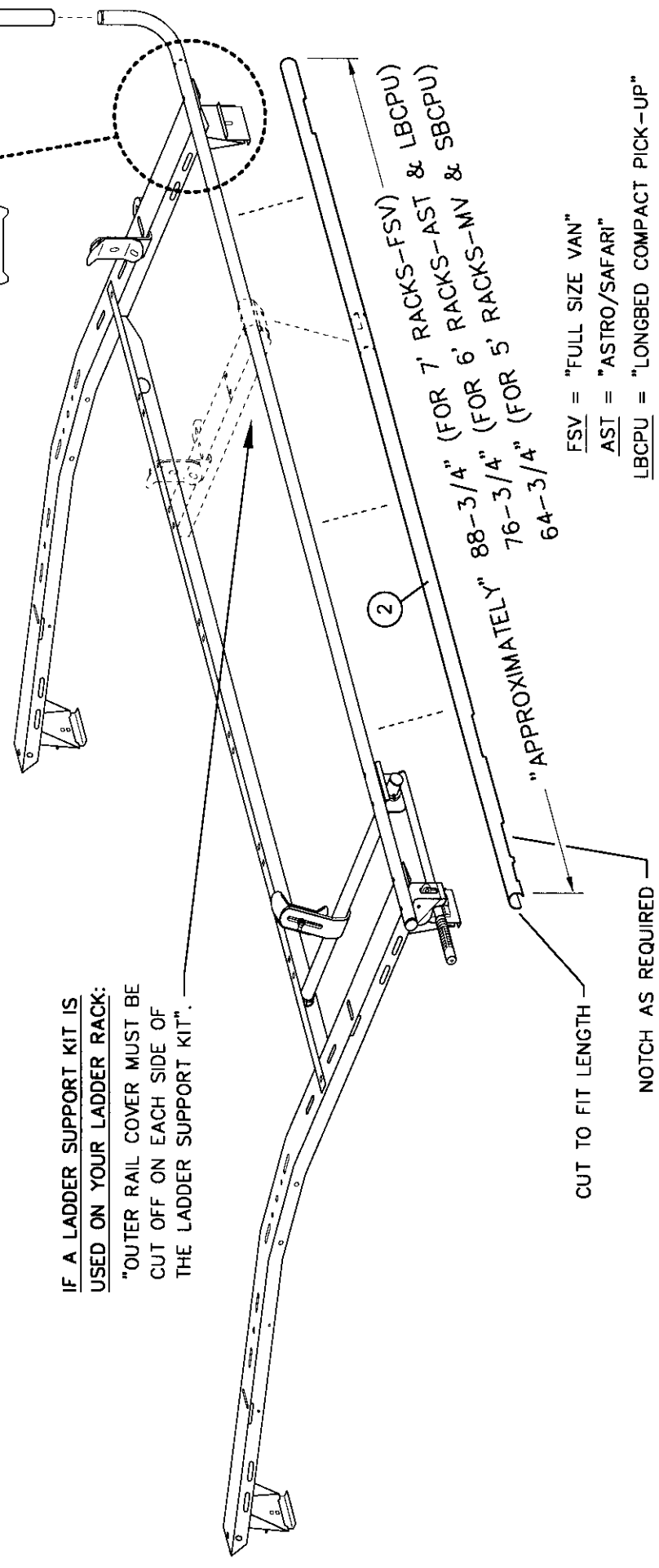
ITEM #2 IS APPLIED TO RAIL BY NOTCHING AROUND CROSS BOWS AND ANY OTHER OBSTRUCTIONS.

START ITEM #2 AT REAR OF ITEM #1



IF A LADDER SUPPORT KIT IS USED ON YOUR LADDER RACK:

"OUTER RAIL COVER MUST BE CUT OFF ON EACH SIDE OF THE LADDER SUPPORT KIT".



- FSV = "FULL SIZE VAN"
- AST = "ASTRO/SAFARI"
- LBCPU = "LONGBED COMPACT PICK-UP"
- MV = "MINI-VAN"
- SBCPU = "SHORTBED COMPACT PICK-UP"