

FASTENER GROUPS LISTED BELOW ARE USED FOR ASSEMBLY AND INSTALLATION. **SOME ASSEMBLY DRILLING IS REQUIRED.** FASTENERS SHOULD BE OF A GRADE 5 OR 8, AND SHOULD BE THE TYPE FOR OUTDOORS USE. STAINLESS STEEL FASTENERS WILL WORK THE BEST FOR THIS PRODUCT.

SYM.	FASTENERS	QTY
INSTALLATION FASTENERS		
	1/4-20 ELASTIC L'NUT S/S	(4)
	1/4 PLAIN FLAT WASHER S.S.	(2)
(R)	1/4-20 x 2x2-1/2 U-BOLT SS	(2)
(S)	1/4-20x2-1/8x2-1/2 U-BOLT	(2)

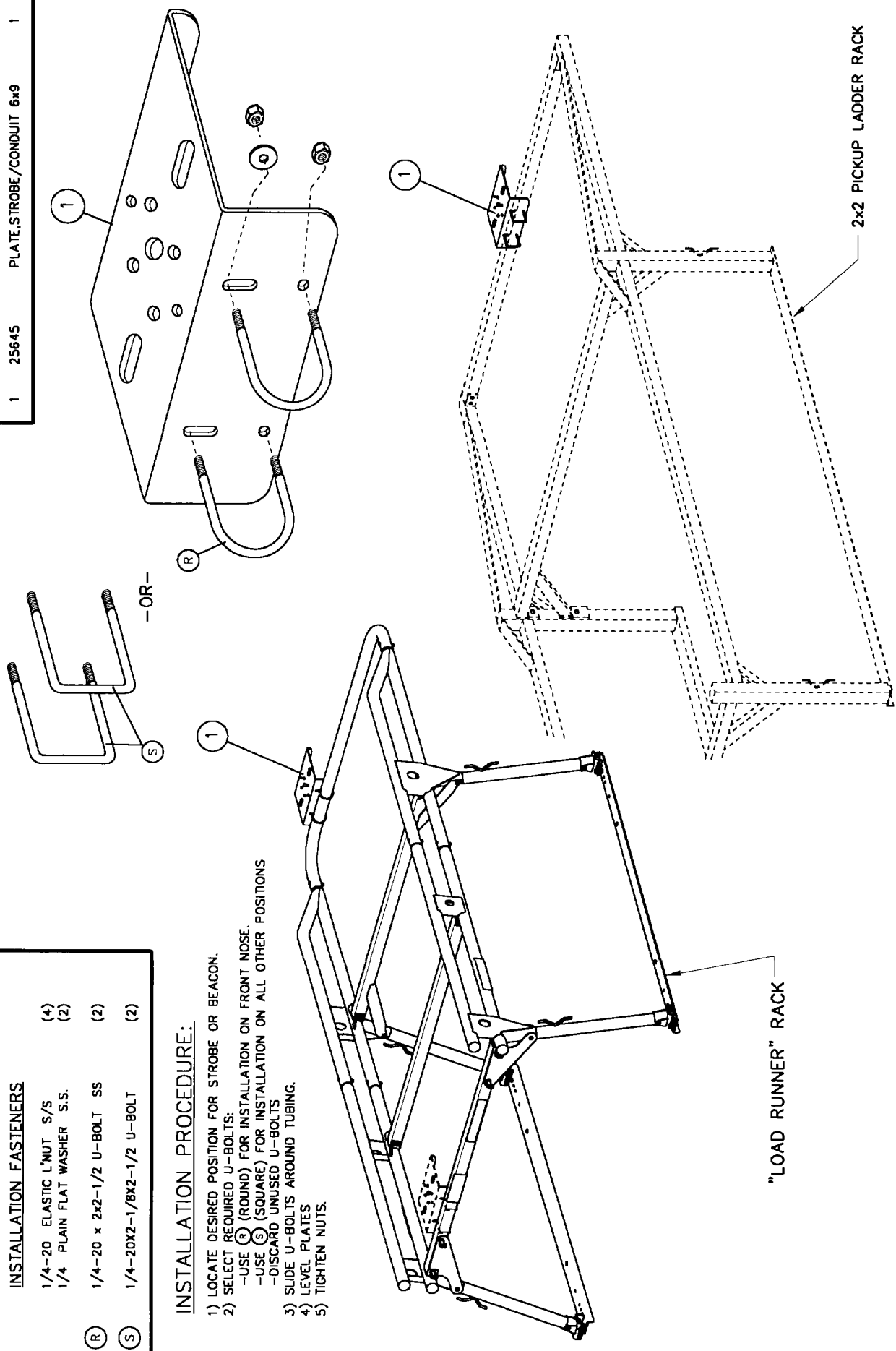
INSTALLATION PROCEDURE:

- 1) LOCATE DESIRED POSITION FOR STROBE OR BEACON.
- 2) SELECT REQUIRED U-BOLTS:
 - USE (R) (ROUND) FOR INSTALLATION ON FRONT NOSE.
 - USE (S) (SQUARE) FOR INSTALLATION ON ALL OTHER POSITIONS
 - DISCARD UNUSED U-BOLTS
- 3) SLIDE U-BOLTS AROUND TUBING.
- 4) LEVEL PLATES
- 5) TIGHTEN NUTS.

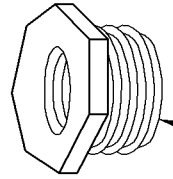
STROBE/BEACON MOUNT PLATE
LOAD RUNNER LADDER RACKS AND 2S LADDER RACKS

ADRIAN STEEL CO.
906 JAMES STREET
ADRIAN, MI 49821
517/265-6194

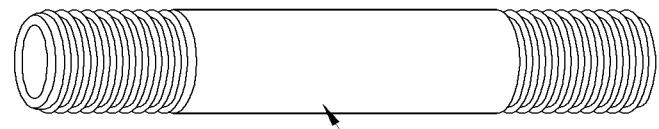
DWG BY	ECN#	DATE	CHK'D BY	PACKAGE#	ISS.
BDS	7740	11/23/04	RCS	S/L 852	A
PACKAGE WEIGHT		2.56 #	REF 25644		
ITEM	PART NO.	DESCRIPTION		QTY.	
1	25645	PLATE, STROBE/CONDUIT 6x9		1	



USE BUSHING FOR STROBES/BEACON WITH A 3/4" I.D. MOUNTING HOLE.



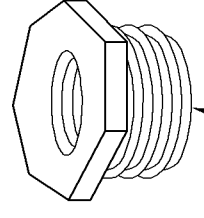
23201-0 BUSHING
3/4" O.D. x 1 1/2" I.D.



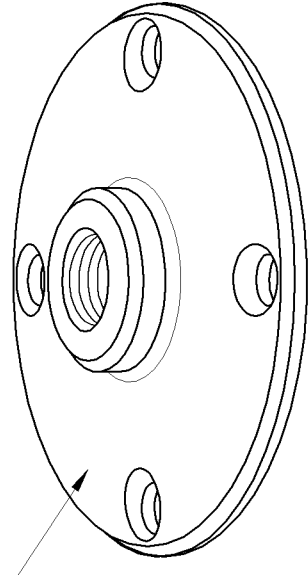
22805-0 PIPE
1/2" x 4 GALV

INSTALLATION FASTENERS
 FAS0125 NUT, NYLON LOCK 1/4-20 SS (4)
 FAS0234 WASHER, FLAT 1/4 SS (4)
 FAS0548 SCREW,HH 1/4-20X .75 SS (4)

USE BUSHING FOR STROBES/BEACON WITH A 1" I.D. MOUNTING HOLE.



26799-0 BUSHING
1" O.D. x 1 1/2" I.D.



22806-0 PIPE FLANGE
1/2" PIPE GALV

SOURCE: PEERLESS SUPPLY 263-2158

REMOVE FASTENERS ADD FASTENER BAG	EN-12402	8/31/09
RELEASED	EN-6071	8/29/02
PURCHASED ITEMS		

BY BDS	DATE 8/29/02	CK.	SCALE FULL	REFERENCE: REF 22804	NAME LIGHT STAND, 1 1/2" PIPE	ISSUE B
-----------	-----------------	-----	---------------	-------------------------	----------------------------------	------------