

## 6" End Cap for PVC Conduit

**PRODUCT WEIGHT**  
**7.1 LBS**

**DIAMETER**  
**6"**

**CAPACITY**  
**N/A**

**COLOR**

**WHITE**

**CATALOG NUMBER**

**70-2NGLR**



### **PRODUCT FEATURES**

End caps and mounting straps for 6" diameter PVC conduit kit for PROFILE™ HD Utility, grip lock, drop down, and combo ladder racks. Works on all vehicle platforms. **DOES NOT** work with the Dual-Sided ProLift ladder rack on high roof vehicles (ex. PLM63 \_\_\_\_). Works with all uprights and rear rollers. **PVC NOT INCLUDED!**

**Utility and grip lock style ladder racks are not recommended for medium and high roof vehicles!**

**Please refer to OEM specific mounting kit and rail kit for additional information on compatible accessories.**

**SEE PAGE 2 FOR APPLICATION NOTES AND ACCESSORIES, OTHER PRODUCTS THAT WORK WITH THIS UNIT.**



**CATALOG NUMBER 70-2NGLR**

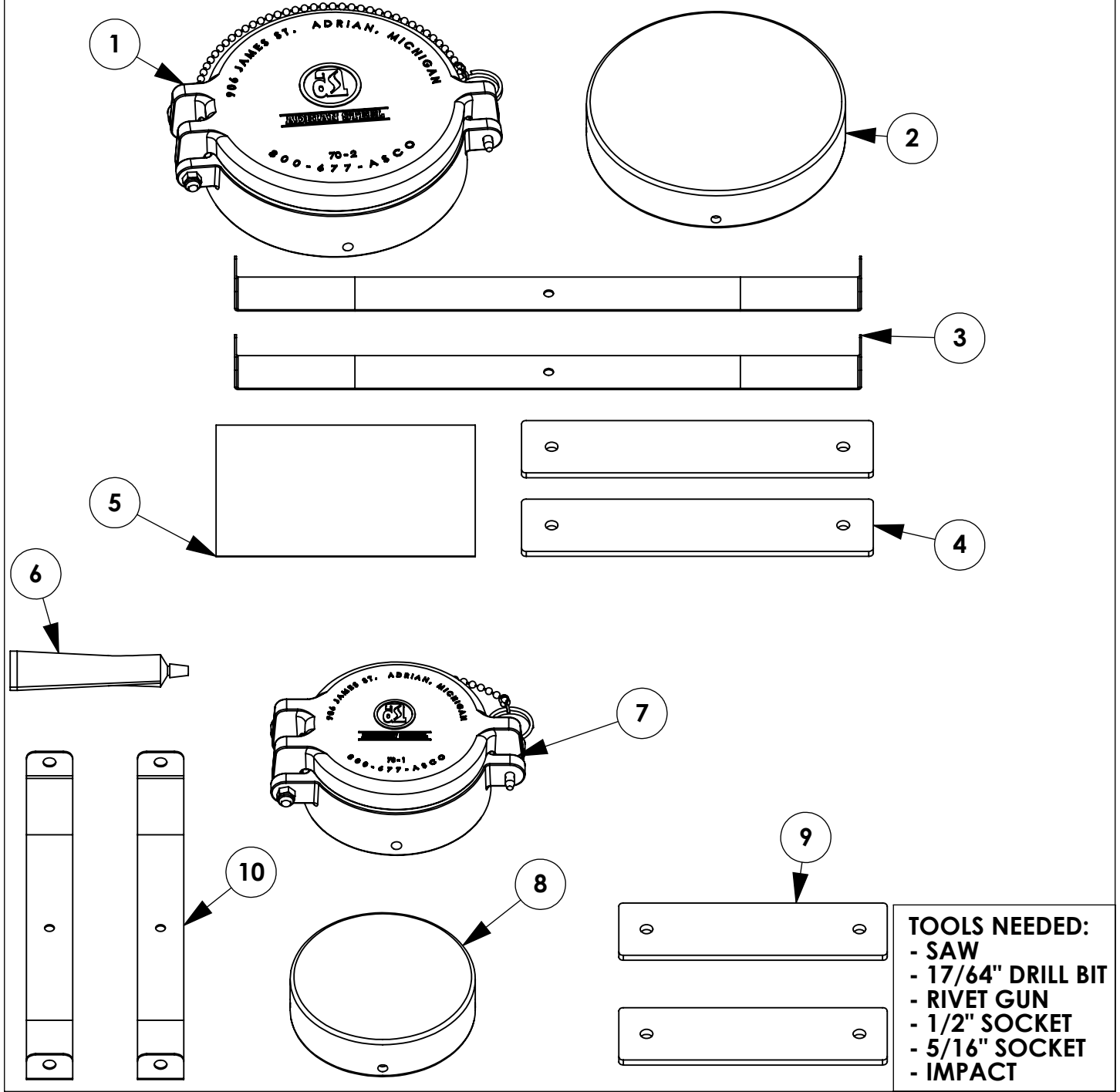
**PRODUCT APPLICATION**

**This product is for PROFILE™ HD Utility, grip lock, drop down, and combo ladder racks. Works on all vehicle platforms. DOES NOT work with the Dual-Sided ProLift Ladder rack on high roof vehicles (ex. PLM63\_\_\_). Utility and grip lock style ladder racks are not recommend-**

**ACCESSORIES THAT WILL WORK WITH THIS PRODUCT**

<b>CATALOG NUMBER</b>	<b>DESCRIPTION</b>
<b>2BARW</b>	<b>2-Crossbar Kit, 68”, White, Full Size Van</b>
<b>2BARCW</b>	<b>2-Crossbar Kit, 58”, White, Minivan</b>
<b>1BARW</b>	<b>Single Crossbar Kit, 68”, White, Full Size Van</b>
<b>1BARCW</b>	<b>Single Crossbar Kit, 58”, White, Minivan</b>

INSTR. NUMBER : 64437	PG: 1	REV: B	ITEM NO.	PART NUMBER	DESCRIPTION	70-2NGLR	70-1NGLR
PART NUMBER • 70-2NGLR PART NUMBER • 70-1NGLR			1	12849-0	Canister Lid 6in. Assembly	1	-
			2	12846-0	Canister Back Cap 6"	1	-
PART • CONDUIT KIT, 6" PVC, NGLR DESC. • CONDUIT KIT, 4" PVC, NGLR			3	63745-W	CONDUIT STRAP, 6", WHITE	2	-
			4	63947-W	CONDUIT SPACER, 6", WHITE	2	-
			5	BAG64176	BAG FOR CONDUIT KIT,4"&6"	1	1
			6	11033-0	Silicone Sealant, 2.8oz tube	1	1
			7	12834-0	CANISTER LID 4in. ASM	-	1
			8	12831-0	END CAP 4"	-	1
			9	63948-W	CONDUIT SPACER, 4", WHITE	-	2
			10	63748-W	CONDUIT STRAP, 4", WHITE	-	2



- TOOLS NEEDED:**
- SAW
  - 17/64" DRILL BIT
  - RIVET GUN
  - 1/2" SOCKET
  - 5/16" SOCKET
  - IMPACT

**GET TO KNOW THE VEHICLE** - AT THE BEGINNING OF ANY INSTALLATION, CHECK THE LOCATION OF THE FUEL TANK, FUEL LINES, BRAKE LINES, HIGH VOLTAGE BATTERIES AND WIRING HARNESES TO AVOID INJURY OR PROPERTY DAMAGE FROM TOOL CONTACT.

**SEAL ALL EXTERIOR HOLES** - ALL INSTALLATION HOLES SHOULD BE SEALED WITH BUTYL TAPE OR SILICON TO PREVENT WATER AND EXHAUST GASES FROM ENTERING THE VEHICLE.

**CONTROL DRILL DEPTH** - TO AVOID DAMAGE TO THE VEHICLE, USE A DRILL STOP OR CLEARED STEP BIT WHEN DRILLING INSTALLATION HOLES.

**ALWAYS ADD PRIMER** - WHEN ADDING INSTALLATION HOLES BE SURE TO USE A SELF-ETCHING PRIMER TO PREVENT CORROSION, FASTENER FAILURE AND INJURY.

**MOUNTING POINTS MUST HAVE METAL-TO-METAL CONTACT** - USE PROVIDED MOUNTING SPACERS TO ACCOMMODATE FOR VEHICLE FEATURES, CARPET OR SUBFLOORS.

**PROVIDE CLEARANCE FOR SPACERS** - IF THE INSTALLATION VEHICLE CONTAINS A CARPET OR SUBFLOOR, USE A 1-3/16" DIAMETER CARPET CUTTER (P/N: 31183-0) AT ALL MOUNTING LOCATIONS TO OPEN UP ROOM FOR SPACERS.

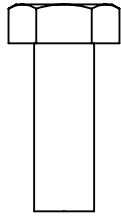
**CHECK SPACER ORIENTATION** - BE SURE THAT THE INDENT IN THE SPACER COVERS THE PLUSNUT HEAD; THIS ENSURES THE MOST METAL-TO-METAL CONTACT AND REDUCES VIBRATION.

**PLUSNUT INSTALLATION** - A PLUSNUT GUN IS RECOMMENDED FOR PLUSNUT INSTALLATION FOR ITS PRODUCTION SPEED. HOWEVER, A PLUSNUT SETTING TOOL CAN ALSO BE USED (P/N: 22200-0).

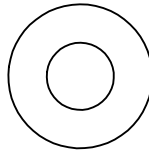
**THRU-BOLT CLEARANCE** - WHEN USING A THRU-BOLT AT ANY MOUNTING LOCATION, BE SURE THAT YOUR HOLE HAS 1/16" CLEARANCE.

***FASTENERS AND HARDWARE USED***

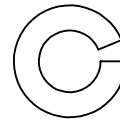
***BAG REFERENCE: BAG64176***



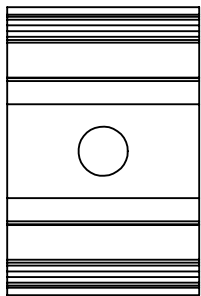
**FAS0283  
5/16-18X0.875 SS  
HH SCREW  
QTY: 4**



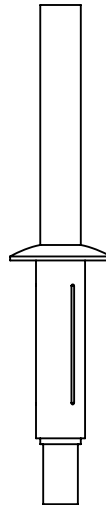
**FAS0552  
5/16 SS  
FLAT WASHER  
QTY: 4**



**FAS0588  
5/16 SS  
LOCK WASHER  
QTY: 4**



**63490  
RAIL SLIDE, 1"  
QTY: 4**



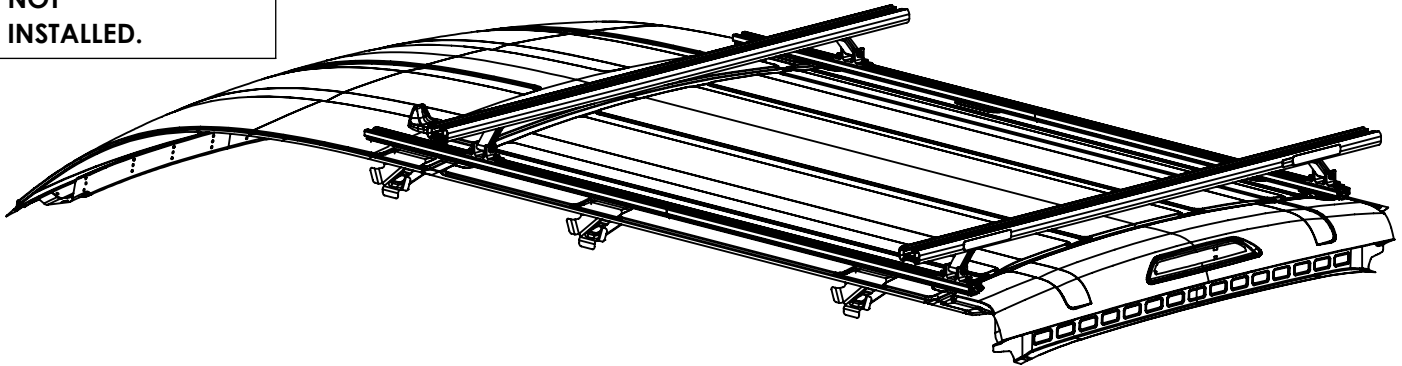
**FAS0652  
.25X.62 AL  
BLND RIVET  
QTY: 10**

***FASTENERS USED***

**INTENTIONALLY LEFT BLANK**

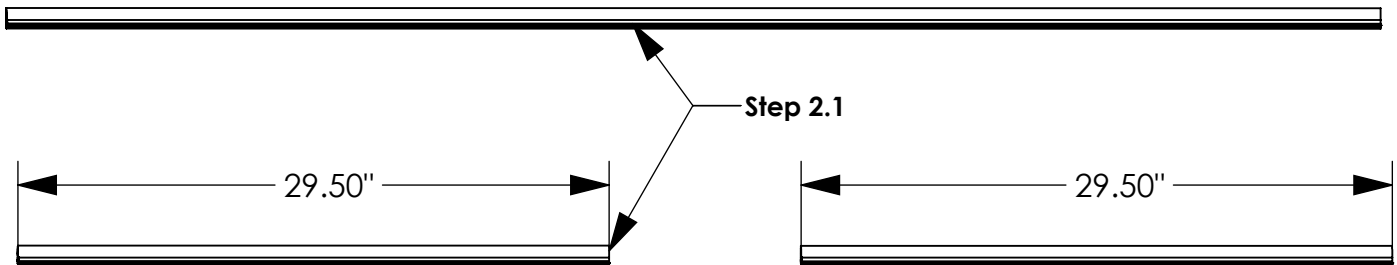
**STEP 1 - CHECK RACK PROGRESS**

**Step 1.1**  
CONDUIT KIT IS MOST EASILY INSTALLED WHEN RACK IS ON THE ROOF. BE SURE THAT THE WEAR STRIP AND DRIVER'S SIDE END CAPS ARE NOT INSTALLED.



**STEP 2 - CUT WEAR STRIP**

**Step 2.1**  
CUT WEAR STRIP  
DOWN  
SAW



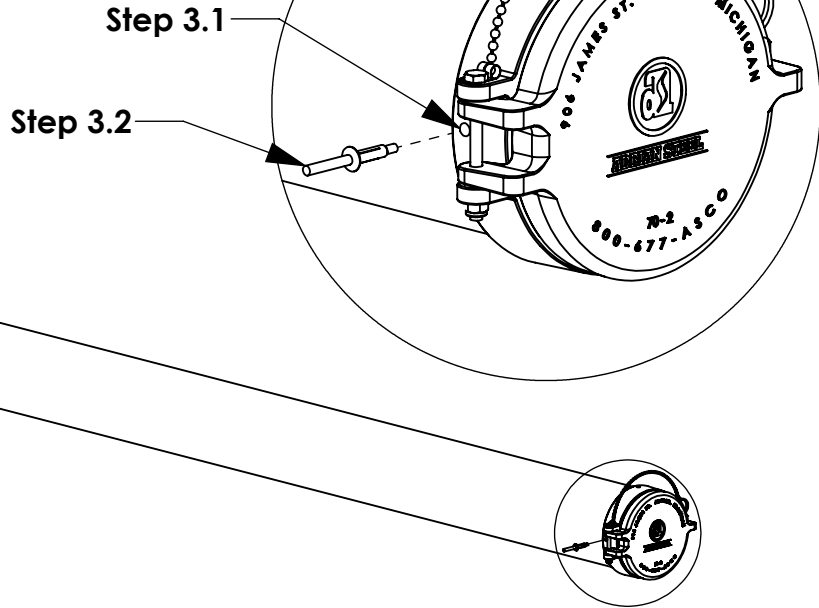
**ADD ONE OF THE CUT WEAR STRIPS TO EACH OF THE CROSSBOWS.**

**FOR 70-1NGLR, CUT WEAR STRIPS TO LENGTH OF 30.625"**

**STEP 3 - ASSEMBLE END CAPS TO PVC PIPE**

**Step 3.1**  
**MARK AND DRILL**  
**OUT**  
**END CAP HOLES.**  
**17/64 DRILL BIT**

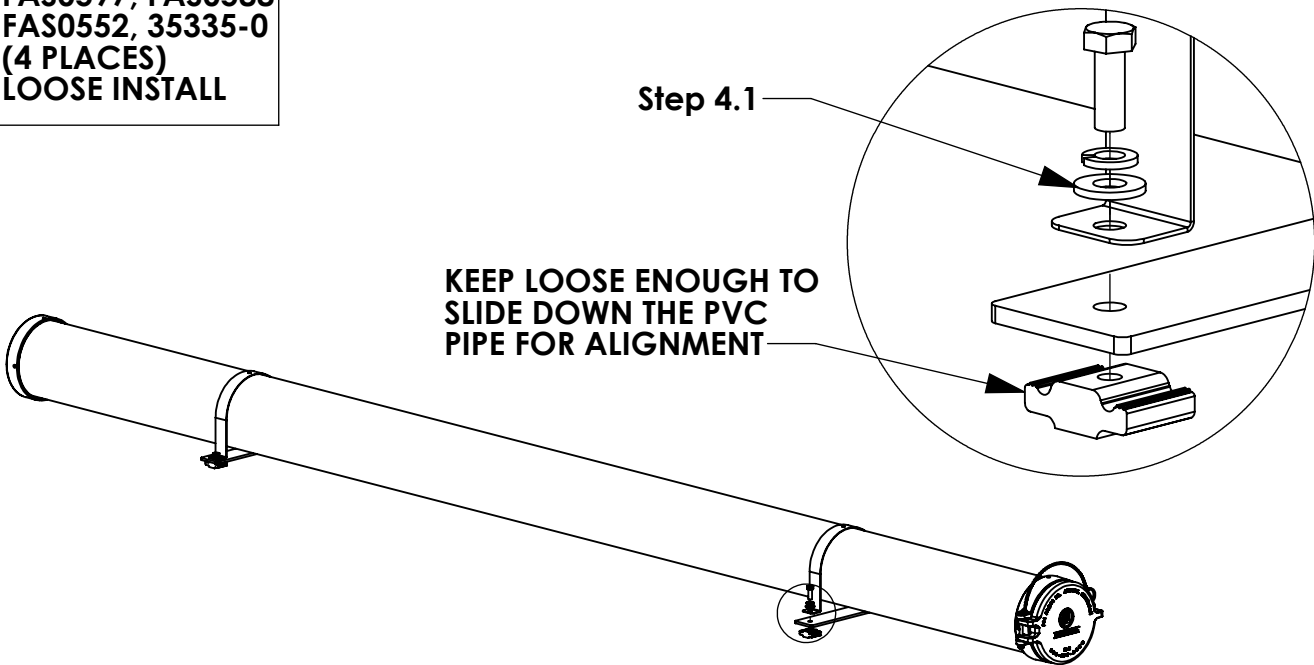
**Step 3.2**  
**FAS0652**  
**(4 PLACES PER**  
**END CAP)**  
**RIVET GUN**



**STEP 4 - ASSEMBLE CONDUIT KIT BRACKETS**

**Step 4.1**  
**FAS0597, FAS0588**  
**FAS0552, 35335-0**  
**(4 PLACES)**  
**LOOSE INSTALL**

**KEEP LOOSE ENOUGH TO**  
**SLIDE DOWN THE PVC**  
**PIPE FOR ALIGNMENT**

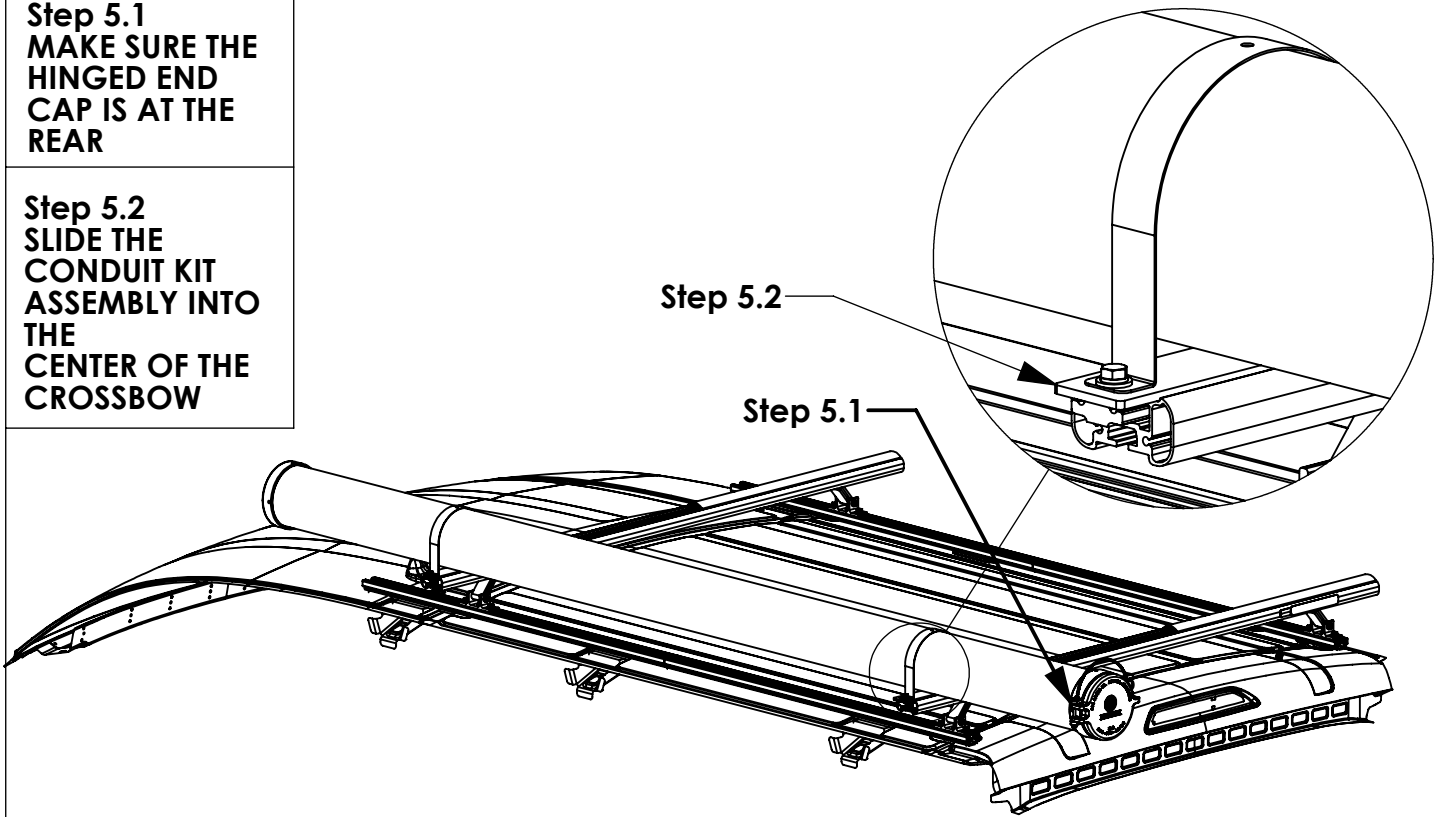




**STEP 5 - INSTALL CONDUIT KIT ONTO RACK**

**Step 5.1  
MAKE SURE THE  
HINGED END  
CAP IS AT THE  
REAR**

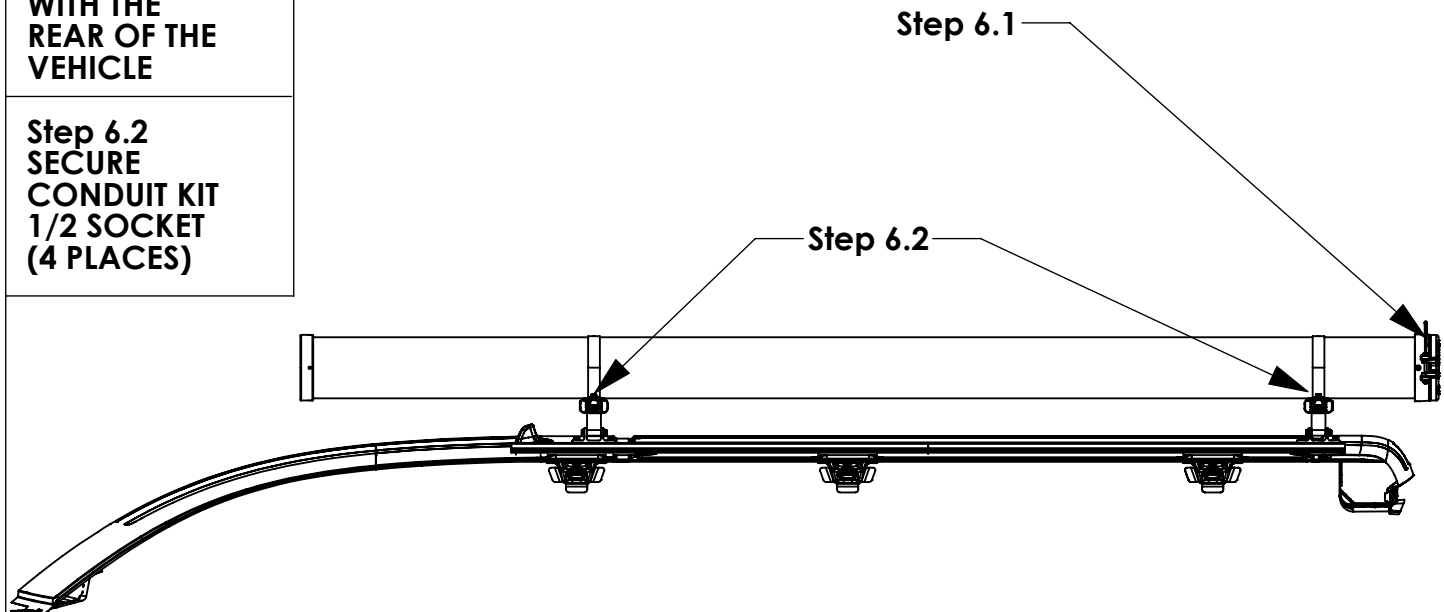
**Step 5.2  
SLIDE THE  
CONDUIT KIT  
ASSEMBLY INTO  
THE  
CENTER OF THE  
CROSSBOW**



**STEP 6 - SECURE CONDUIT KIT**

**Step 6.1  
ALIGN THE END  
OF THE  
CONDUIT KIT  
WITH THE  
REAR OF THE  
VEHICLE**

**Step 6.2  
SECURE  
CONDUIT KIT  
1/2 SOCKET  
(4 PLACES)**



**STEP 7 - SECURE CONDUIT KIT**

**Step 7.1  
ADD THE  
SECOND,  
CUT WEAR STRIP  
TO EACH  
CROSSBOW.**

**Step 7.2  
FAS0473  
(2 PLACES PER  
CROSSBOW)  
5/16 SOCKET**

