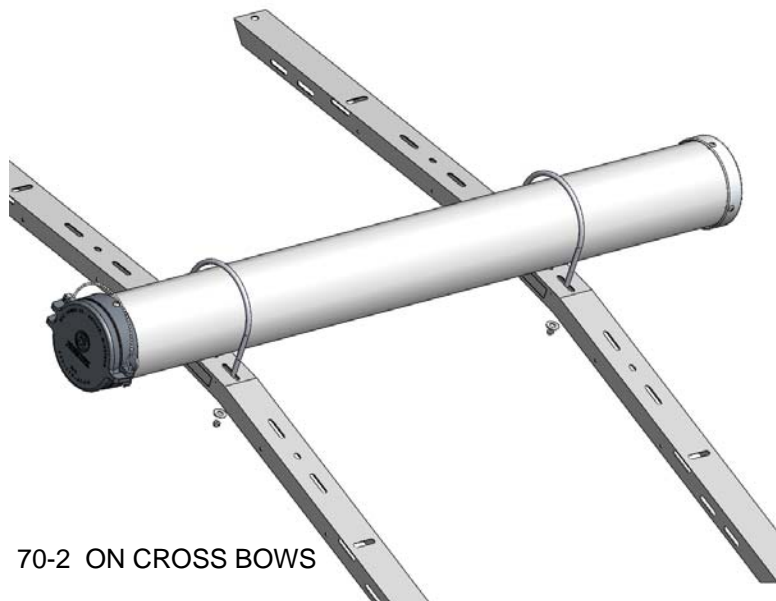


Introduction / Comments:

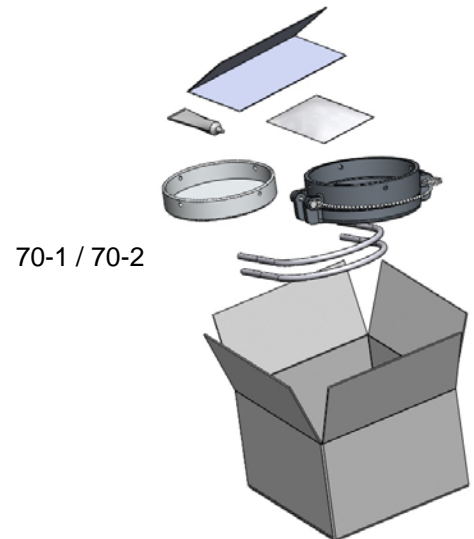
THESE KITS, WHEN COMBINED WITH YOUR PVC PIPE, AND INSTALLED ON THE UTILITY OR LADDER RACK PROVIDE STORAGE FOR CONDUIT AND SIMILAR ITEMS ON THE ROOF OF YOUR VAN.

Note:

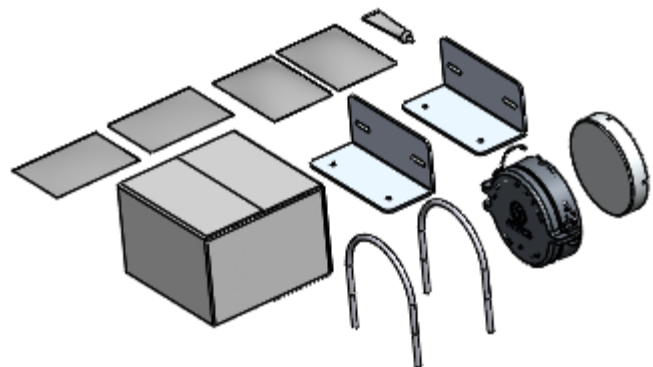
It is advised that all fasteners used in this assembly and installation of this Rack should be checked for tightness at the following intervals: @ 2-weeks and again @ 6-weeks of operation. This preventive maintenance step must be completed to ensure your package gives you long service life.



70-2 ON CROSS BOWS



70-1 / 70-2



70-1LR / 70-2LR

NOTE:

RECOMMENDED USE OF A 6.4mm SETTING CAPACITY GUN FOR INSTALLATION. FOR INSTALLATION WE RECOMMEND THE USE OF THE FOLLOWING RIVET GUN MODELS (BOTH ARE POP® BRAND RIVET GUNS).

DESCRIPTION:

ProSet® 3400

ProSet® 3400MCS

ARTICLE NUMBER:

63407

63408

70-1 / 70-1LR (4") & 70-2 / 70-2LR (6") CONDUIT CARRIER KITS

- PRECAUTIONS -



CAUTION

THE USE OF AIR IMPACT TOOLS CAN OVER-TORQUE FASTENERS AND CAUSE FASTENER FAILURE!



CAUTION

ALL INSTALLATION HOLES SHOULD BE SEALED WITH SILICON OR BUTYL SEALANT TO PREVENT EXHAUST FUMES FROM ENTERING THE VEHICLE!



DANGER

INSPECT FOR FUEL TANK, FUEL LINES, BRAKE LINES, HIGH VOLTAGE BATTERIES AND ELECTRICAL LINES PRIOR TO DRILLING TO AVOID DAMAGING CRITICAL VEHICLE SYSTEMS OR INJURY TO INSTALLER DURING INSTALLATION PROCESS!



CAUTION

TO AVOID DAMAGING THE VEHICLE ALWAYS USE DRILL STOPS WHEN DRILLING ANY INSTALLATION HOLES!



- IMPORTANT WARRANTY REQUIREMENTS -

1. SUBSTITUTING ADRIAN STEEL SPECIFIED FASTENERS FOR ASSEMBLY AND/OR INSTALLATION WILL VOID YOUR PRODUCT WARRANTY.
2. ALL HOLES DRILLED INTO VEHICLE SHOULD HAVE THE RAW METAL EDGES SEALED WITH A SELF-ETCHING PRIMER TO RESIST CORROSION AND POTENTIAL FASTENER POINT FAILURE.
3. ALL FASTENERS USED IN THE INSTALLATION OF THIS PRODUCT SHOULD BE TIGHTENED TO THE TORQUE(S) SPECIFIED IN THESE INSTRUCTIONS.
4. THESE INSTRUCTIONS SHOULD BE KEPT WITH THE VEHICLE.

THE BASIC TOOLS NEEDED FOR MOST INSTALLATIONS



DRILL



DRILL BIT WITH STOP



RATCHET, SOCKETS AND/OR WRENCHES



SCREWDRIVERS

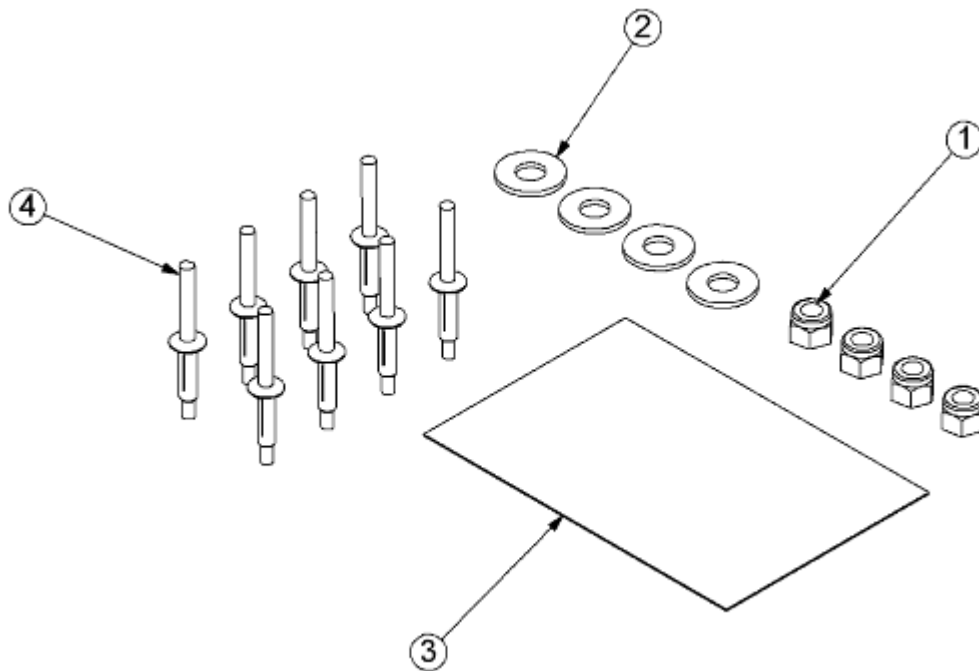


MEASURING TAPE

ADDITIONAL TOOLS MAY BE NEEDED FOR THIS INSTALLATION AND THEY WILL BE IDENTIFIED IN THE STEPS THAT FOLLOW.

BAG70-1 FASTENER BAG

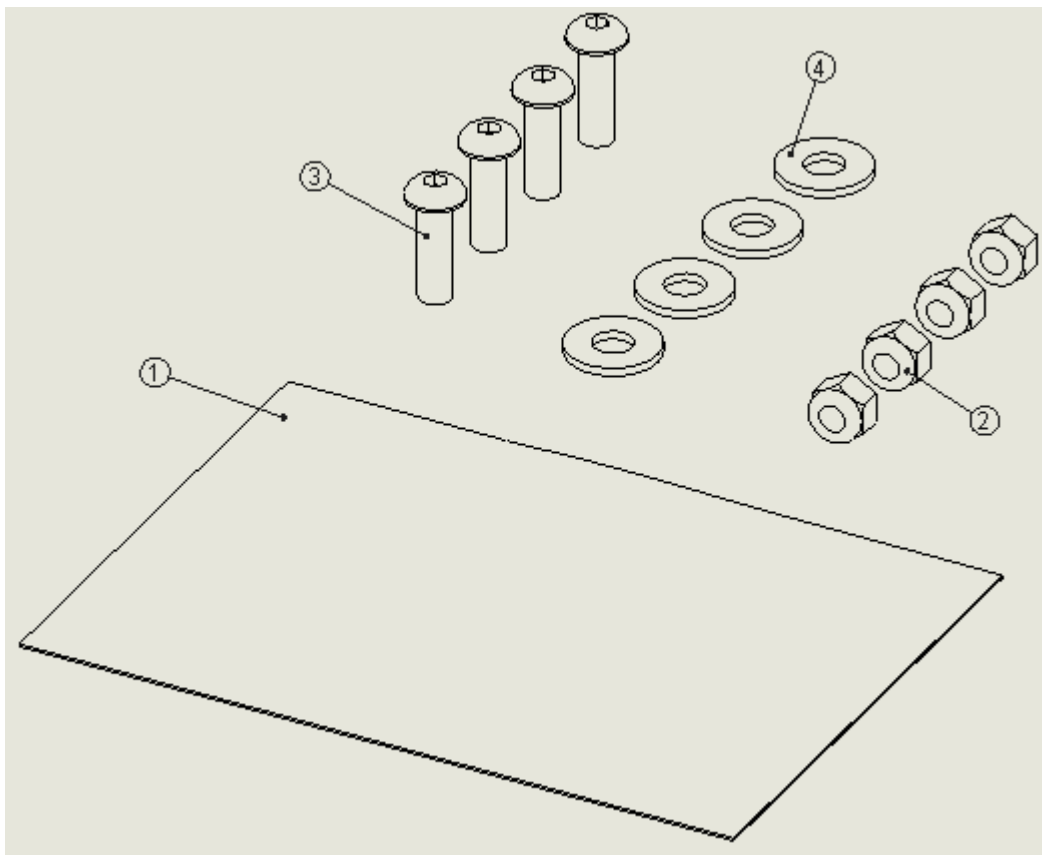
ITEM NO.	PART NUMBER	DESCRIPTION	QTY.
1	FAS0110	Nut, Hex Nylk 3/8-16 SS W	4
2	FAS0104	Washer, Flat, 3/8, NI ZN	4
3	BAG0406-A	4" x 6" 3MIL AUTOBAG	1
4	FAS 0652 uncrimped	Rivet, Blind, Splitting, Buttonhead, 1/4x.25 Grip	8



BAG51693 FASTENER BAG

(FOR 70-1LR AND 70-2LR)

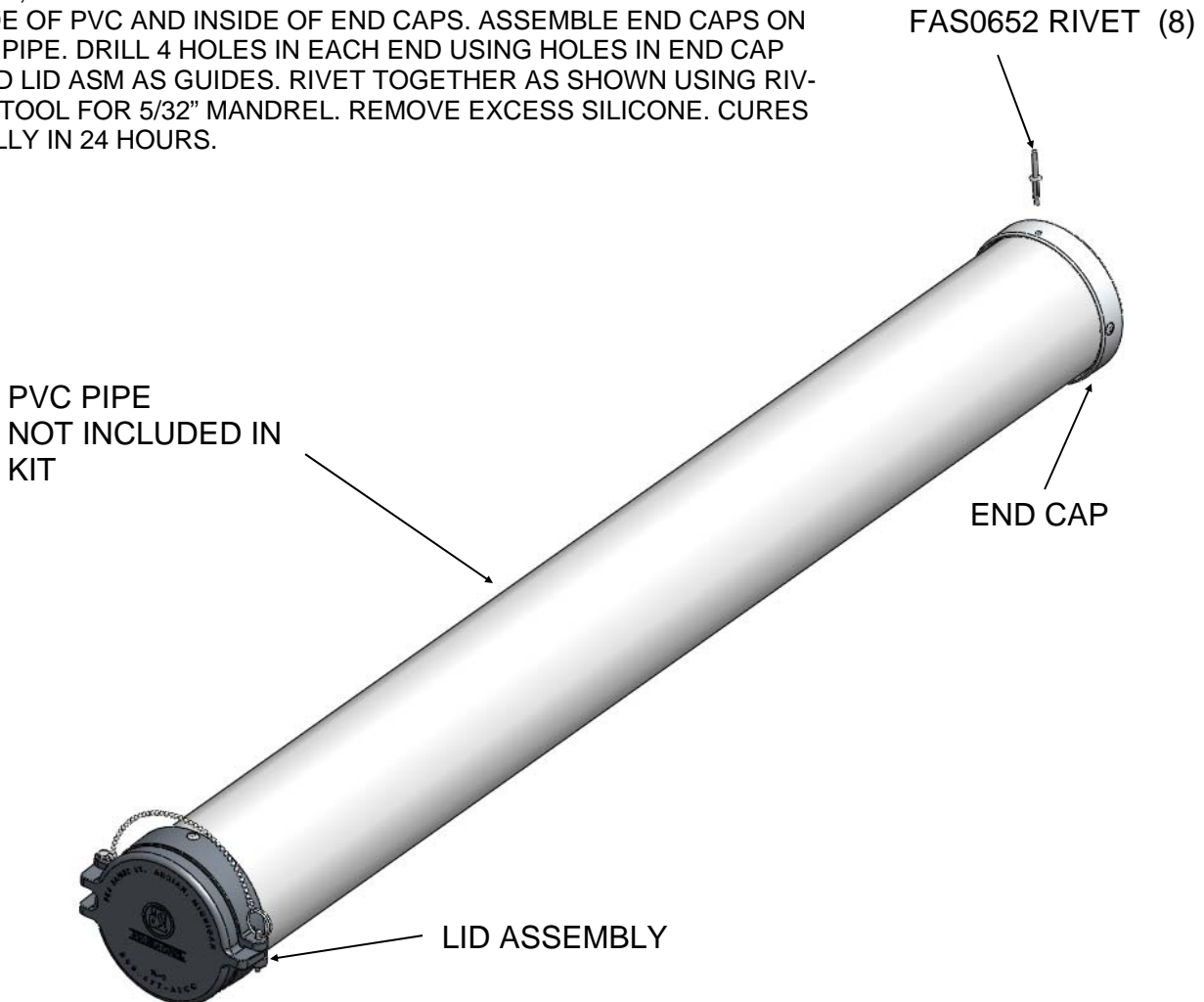
ITEM NO.	PART NUMBER	DESCRIPTION	QTY.
1	BAG51693	BAG, FAS, ASM, 51693	1
2	FAS0248	Nut, Nylon Insert Lock, 5/16-18 SST	4
3	FAS0813	Screw, BHCS, 5/16-18X1.00, SS	4
4	FAS0552	Washer, Flat, 5/16, SST	4




STEP #1 : ASSEMBLE CONDUIT CARRIER

CUT PVC PIPE TO LENGTH. ENDS MUST BE SQUARE WITHIN +/- 1/16". CUT APPROX 6" LONGER THAN WHAT YOU WILL BE CARRYING. NOTE: ON FULL SIZE VANS, CROSS BOWS ARE TYPICALLY SPACED 7' ON CENTER. CONDUIT CARRIER NEEDS TO BE LONG ENOUGH TO REACH BEYOND BOWS AND EXTEND TO NEAR THE REAR END OF VAN FOR ACCESS.

CLEAN PVC ENDS AND INSIDE END CAPS. MUST BE FREE OF OIL, DIRT, AND BURRS. APPLY SILICONE ADHESIVE TO BOTH THE OUTSIDE OF PVC AND INSIDE OF END CAPS. ASSEMBLE END CAPS ON TO PIPE. DRILL 4 HOLES IN EACH END USING HOLES IN END CAP AND LID ASM AS GUIDES. RIVET TOGETHER AS SHOWN USING RIVET TOOL FOR 5/32" MANDREL. REMOVE EXCESS SILICONE. CURES FULLY IN 24 HOURS.



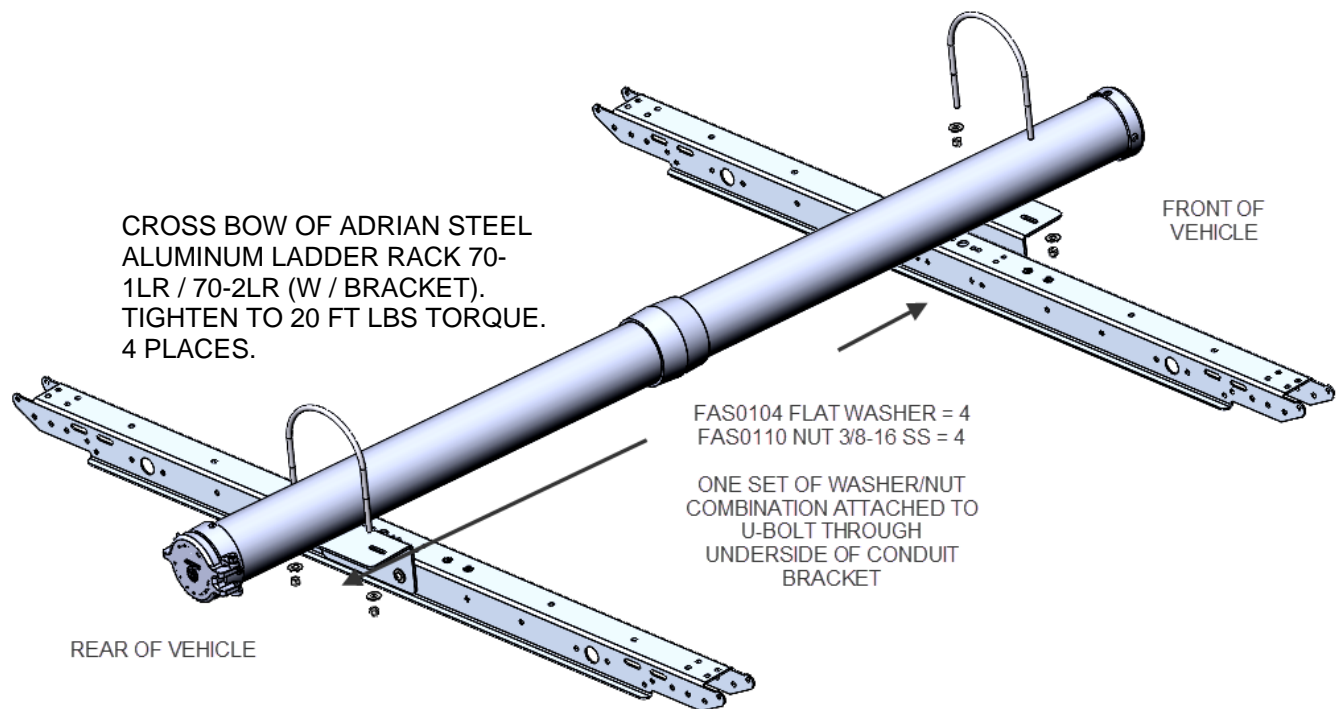


CROSS BOW OF ADRIAN STEEL
LADDER RACK 70-1 / 70-2

CONDUIT CARRIER KIT

U-BOLT (2)

FAS0104 WASHER AND
FAS0110 LOCKNUT
TIGHTEN TO 20 FT LBS TORQUE.
4 PLACES.



CROSS BOW OF ADRIAN STEEL
ALUMINUM LADDER RACK 70-
1LR / 70-2LR (W / BRACKET).
TIGHTEN TO 20 FT LBS TORQUE.
4 PLACES.

FRONT OF
VEHICLE

FAS0104 FLAT WASHER = 4
FAS0110 NUT 3/8-16 SS = 4

ONE SET OF WASHER/NUT
COMBINATION ATTACHED TO
U-BOLT THROUGH
UNDERSIDE OF CONDUIT
BRACKET

REAR OF VEHICLE

TYPICAL INSTALLATION ON ADRIAN STEEL LADDER RACKS.



**DOUBLE-CHECK ALL FASTENER LOCATIONS TO
BE SURE THAT ALL FASTENERS ARE TIGHTENED
TO SPECIFICATIONS!**

