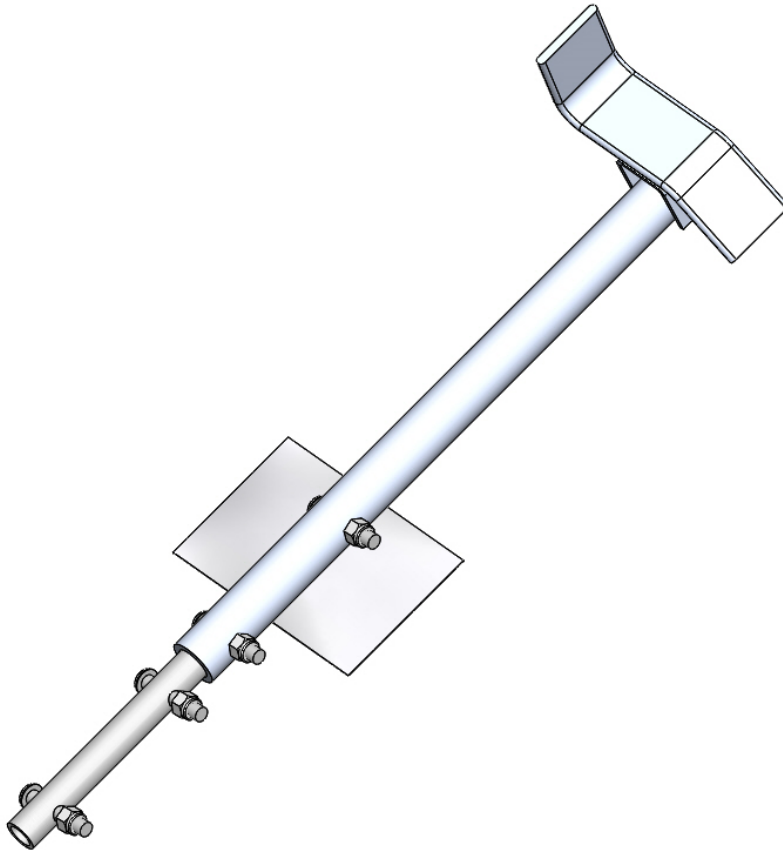


## G/L LADDER RACK EXTENSION



**PRODUCT WEIGHT**  
3 LBS

**WIDTH x DEPTH x HEIGHT**  
6" x 4" x 18"

**CAPACITY**  
32' EXT LADDER

**COLOR**  
ALUM & BLACK

**CATALOG NUMBER**  
69-GL

### **PRODUCT FEATURES**

**EXTENSION ASSEMBLY FOR ADRIAN STEEL GRIP-LOCK LADDER RACKS. ALLOWS USER TO CARRY 32' EXTENSION LADDERS. WILL FIT BOTH CURB AND STREET SIDE. STREET SIDE ORIENTATION SHOWN ABOVE.**

**SEE PAGE 2 FOR APPLICATION NOTES AND ACCESSORIES, OTHER PRODUCTS THAT WORK WITH THIS UNIT.**



**CATALOG NUMBER**      69-GL

***PRODUCT APPLICATION***

This product is designed for use on Adrian Steel Grip-Lock Ladder Racks.

***ACCESSORIES THAT WILL WORK WITH THIS PRODUCT***

<b>CATALOG NUMBER</b>	<b>DESCRIPTION</b>
-----------------------	--------------------

N/A	
-----	--

***SPECIAL APPLICATION NOTES***