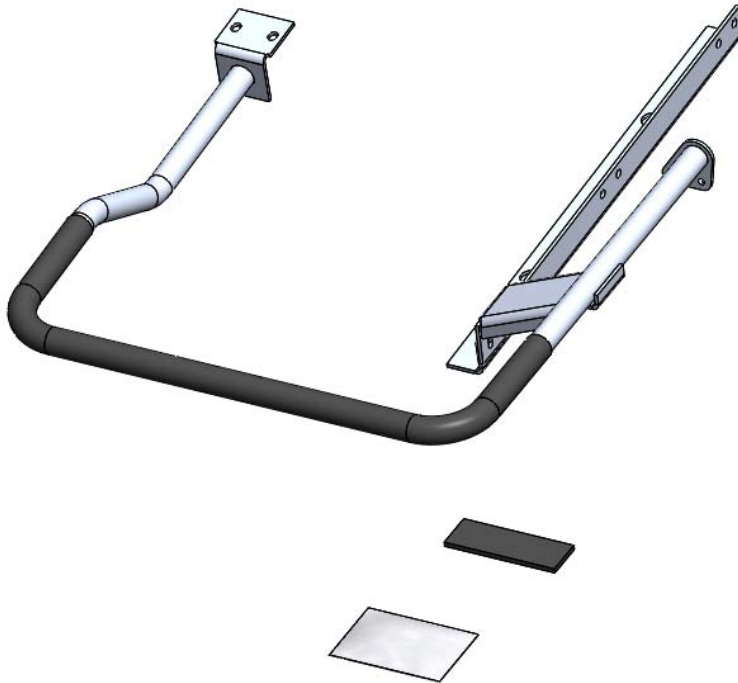


DD LADDER RACK EXTENSION



PRODUCT WEIGHT
6.8 LBS

WIDTH x DEPTH x HEIGHT
27" x 27.6" x 4"

CAPACITY
32' EXT LADDER

COLOR
ALUM & BLACK

CATALOG NUMBER
69-DDCSFTL

PRODUCT FEATURES

EXTENSION ASSEMBLY FOR ADRIAN STEEL DROP-DOWN LADDER RACKS. ALLOWS USER TO CARRY 32' EXTENSION LADDERS. THIS ITEM FITS THE FORD TRANSIT LOW ROOF VAN CURB SIDE ONLY!

SEE PAGE 2 FOR APPLICATION NOTES AND ACCESSORIES, OTHER PRODUCTS THAT WORK WITH THIS UNIT.



CATALOG NUMBER 69-DDCSFTL

PRODUCT APPLICATION

This product is designed for use on Adrian Steel Drop-Down Ladder Racks.

ACCESSORIES THAT WILL WORK WITH THIS PRODUCT

CATALOG NUMBER	DESCRIPTION
-----------------------	--------------------

N/A	
-----	--

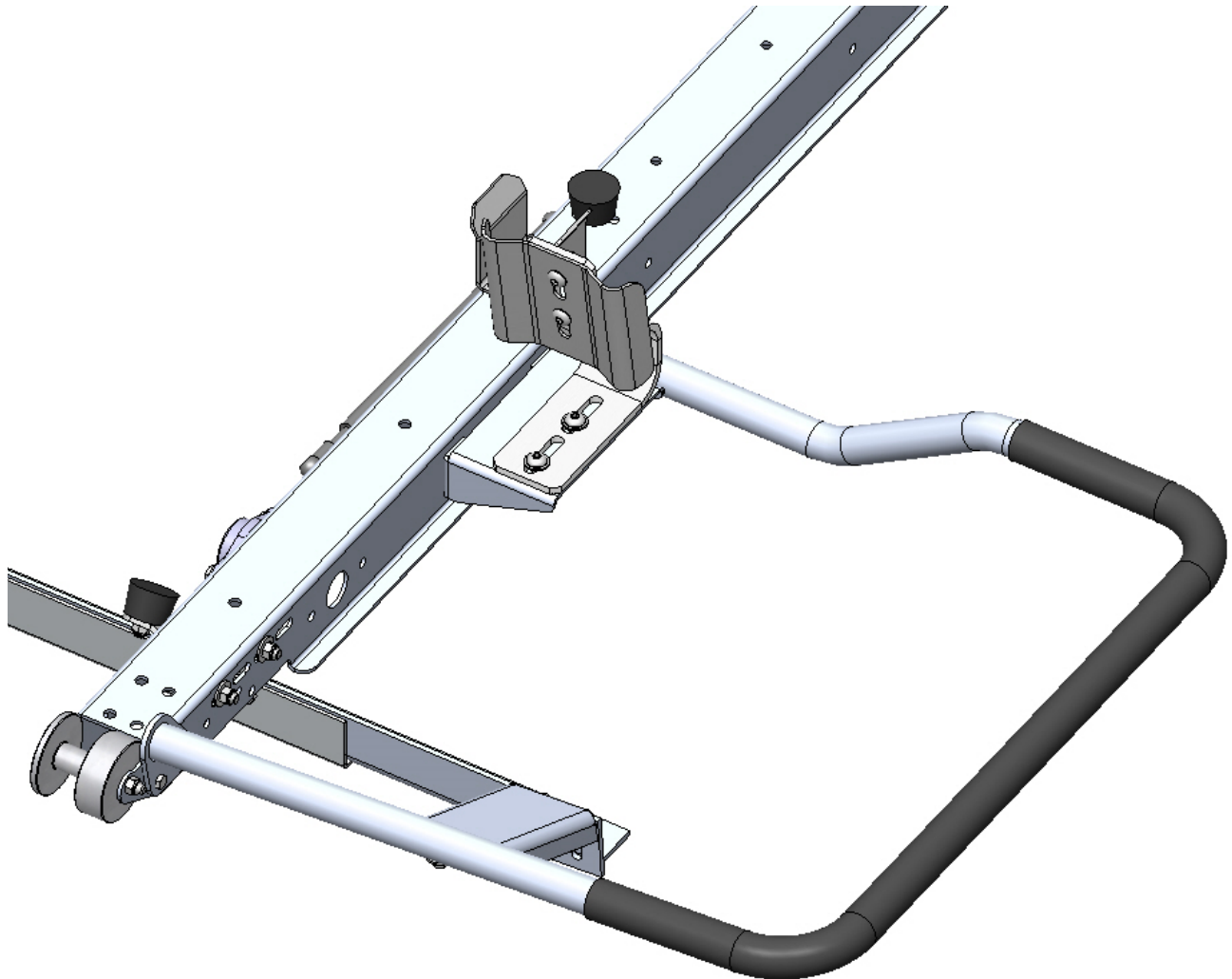
SPECIAL APPLICATION NOTES

Introduction / Comments:

THIS EXTENSION IS FOR THE ADRIAN STEEL DROP-DOWN LADDER RACK. USE OF THIS EXTENSION WILL ALLOW USER TO CARRY 32' EXTENSION LADDERS. THERE ARE CURB SIDE AND STREET SIDE VERSIONS AS WELL AS VERSIONS FOR SPECIFIC VEHICLE APPLICATIONS. SEE LIST IN THESE INSTRUCTIONS.

Note:

It is advised that all fasteners used in this assembly and installation of this item should be checked for tightness at the following intervals: @ 2-weeks and again @ 6-weeks of operation. This preventive maintenance step must be completed to ensure your package gives you long service life.



69-DDCS LADDER RACK EXTENSION SHOWN

- PRECAUTIONS -



CAUTION



THE USE OF AIR IMPACT TOOLS CAN OVER-TORQUE FASTENERS AND CAUSE FASTENER FAILURE!



CAUTION



ALL INSTALLATION HOLES SHOULD BE SEALED WITH SILICON OR BUTYL SEALANT TO PREVENT EXHAUST FUMES FROM ENTERING THE VEHICLE!



DANGER



INSPECT FOR FUEL TANK, FUEL LINES, BRAKE LINES, HIGH VOLTAGE BATTERIES AND ELECTRICAL LINES PRIOR TO DRILLING TO AVOID DAMAGING CRITICAL VEHICLE SYSTEMS OR INJURY TO INSTALLER DURING INSTALLATION PROCESS!



CAUTION



TO AVOID DAMAGING THE VEHICLE ALWAYS USE DRILL STOPS WHEN DRILLING ANY INSTALLATION HOLES!



- IMPORTANT WARRANTY REQUIREMENTS -

1. SUBSTITUTING ADRIAN STEEL SPECIFIED FASTENERS FOR ASSEMBLY AND/OR INSTALLATION WILL VOID YOUR PRODUCT WARRANTY.
2. ALL HOLES DRILLED INTO VEHICLE SHOULD HAVE THE RAW METAL EDGES SEALED WITH A SELF-ETCHING PRIMER TO RESIST CORROSION AND POTENTIAL FASTENER POINT FAILURE.
3. ALL FASTENERS USED IN THE INSTALLATION OF THIS PRODUCT SHOULD BE TIGHTENED TO THE TORQUE(S) SPECIFIED IN THESE INSTRUCTIONS.
4. THESE INSTRUCTIONS SHOULD BE KEPT WITH THE VEHICLE.

THE BASIC TOOLS NEEDED FOR MOST INSTALLATIONS



DRILL



DRILL BIT WITH STOP



RATCHET, SOCKETS AND/OR WRENCHES



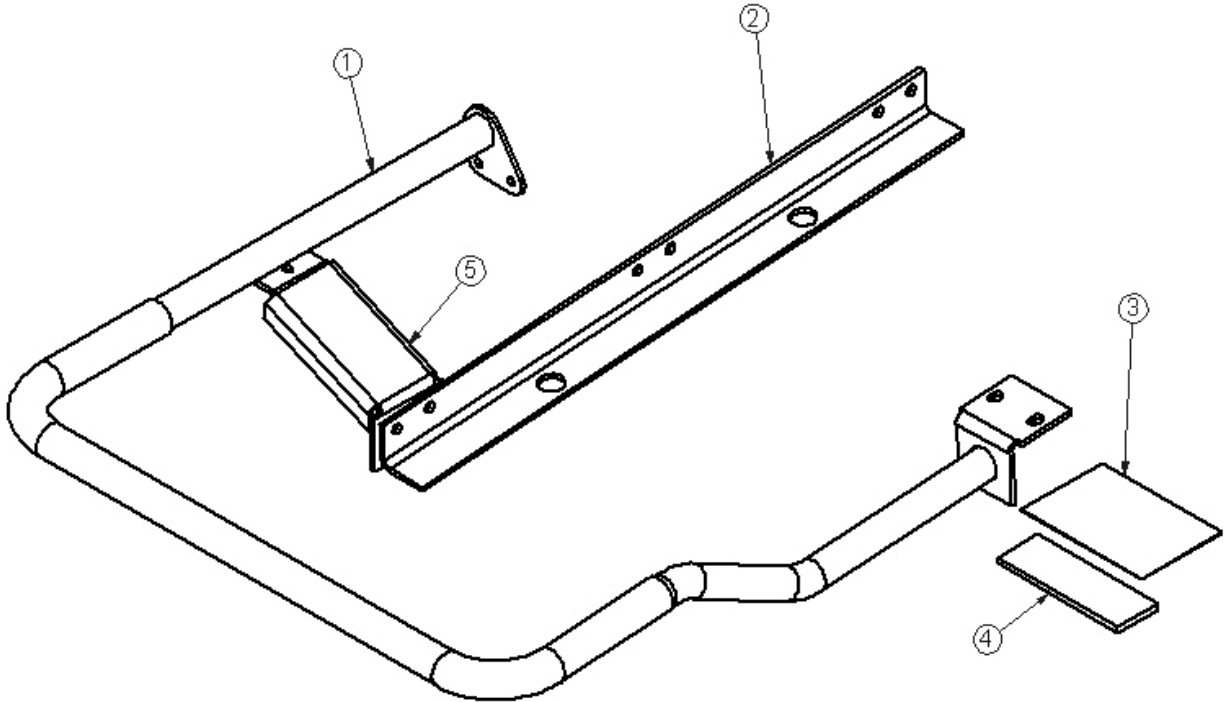
SCREWDRIVERS



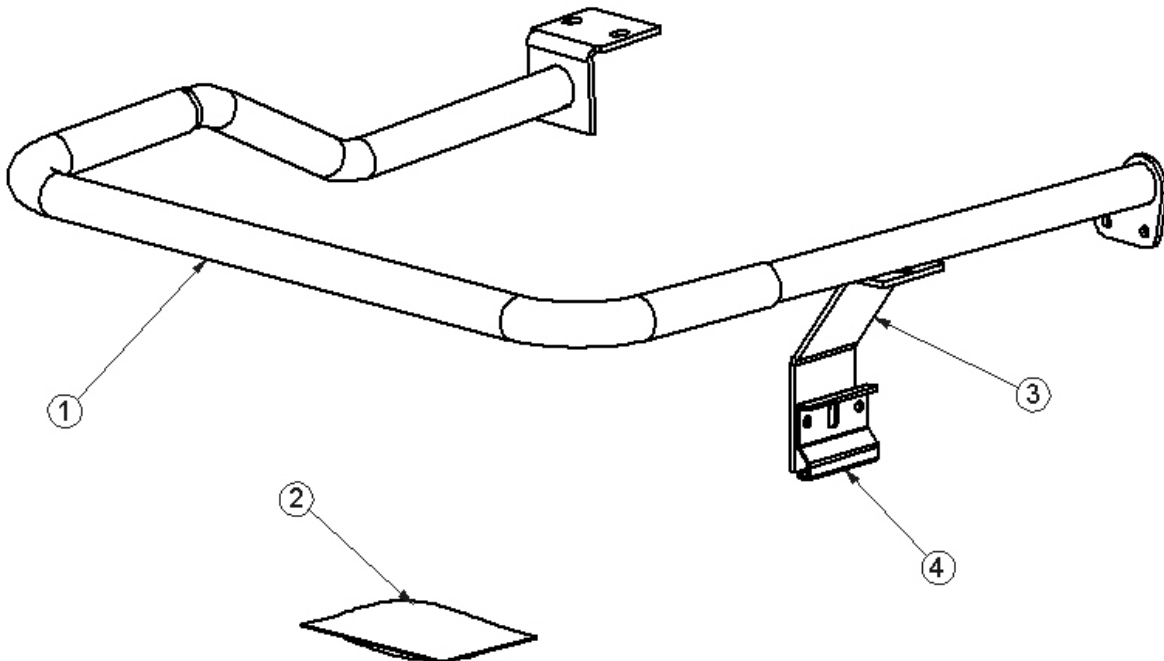
MEASURING TAPE

ADDITIONAL TOOLS MAY BE NEEDED FOR THIS INSTALLATION AND THEY WILL BE IDENTIFIED IN THE STEPS THAT FOLLOW.

DROP-DOWN LADDER RACK EXTENSION KITS



THIS IS TYPICAL OF THE TRANSIT VAN EXTENSIONS AND INCLUDES A ROOF RAIL EXTENSION (ITEM #2) FOR THE SUPPORT BRACKET. CURB SIDE SHOWN.



THIS IS TYPICAL OF THE GM VAN EXTENSIONS AND INCLUDES A SUPPORT BRACKET THAT CLAMPS ONTO THE VAN'S DRIP RAIL (ITEMS #3 & 4). STREET SIDE SHOWN.

PARTS LISTS FOR TRANSIT AND GM VERSIONS, CURB AND STREET SIDES

CATALOG No.

69-DDCS
 LOW ROOF,
 CURB SIDE
 EXTENSION KIT.

ITEM NO.	PART NUMBER	DESCRIPTION	69-DDCSFTL/QTY.
1	52366	Ext Tube Asm, CS FT Plastisol	1
2	52375	Rail Extension, FT LR	1
3	BAG69DDLRL	Fas Bag, DDLR Extension	1
4	52376	Foam Strip, 1/4X2X6	1
5	52374	Ext Supt Brkt, Transit	1

69-DDSS
 LOW ROOF,
 STREET SIDE
 EXTENSION KIT.

ITEM NO.	PART NUMBER	DESCRIPTION	69-DDSSFTL/QTY.
1	52367	Ext Asm, SS, DDLR, Plastisol	1
2	52374	Ext Supt Brkt, Transit	1
3	52375	Rail Extension, FT LR	1
4	52376	Foam Strip, 1/4X2X6	1
5	BAG69DDLRL	Fas Bag, DDLR Extension	1

69-DDCSFTM
 TRANSIT MID
 ROOF, CURB SIDE
 EXTENSION KIT.

ITEM NO.	PART NUMBER	DESCRIPTION	69-DDCSFTM/QTY.
1	52366	Ext Tube Asm, CS FT Plastisol	1
2	52377	Rail Extension, DDLR FT MR	1
3	BAG69DDLRL	Fas Bag, DDLR Extension	1
4	52374	Ext Supt Brkt, Transit	1
5	52376	Foam Strip, 1/4X2X6	1

69-DDSSFTM
 TRANSIT MID
 ROOF, STREET
 SIDE EXTENSION
 KIT.

ITEM NO.	PART NUMBER	DESCRIPTION	69-DDSSFTM/QTY.
1	52367	Ext Asm, SS, DDLR, Plastisol	1
2	52374	Ext Supt Brkt, Transit	1
3	52377	Rail Extension, DDLR FT MR	1
4	52376	Foam Strip, 1/4X2X6	1
5	BAG69DDLRL	Fas Bag, DDLR Extension	1

69-DDCSGM
 GM CURB SIDE
 EXTENSION KIT.

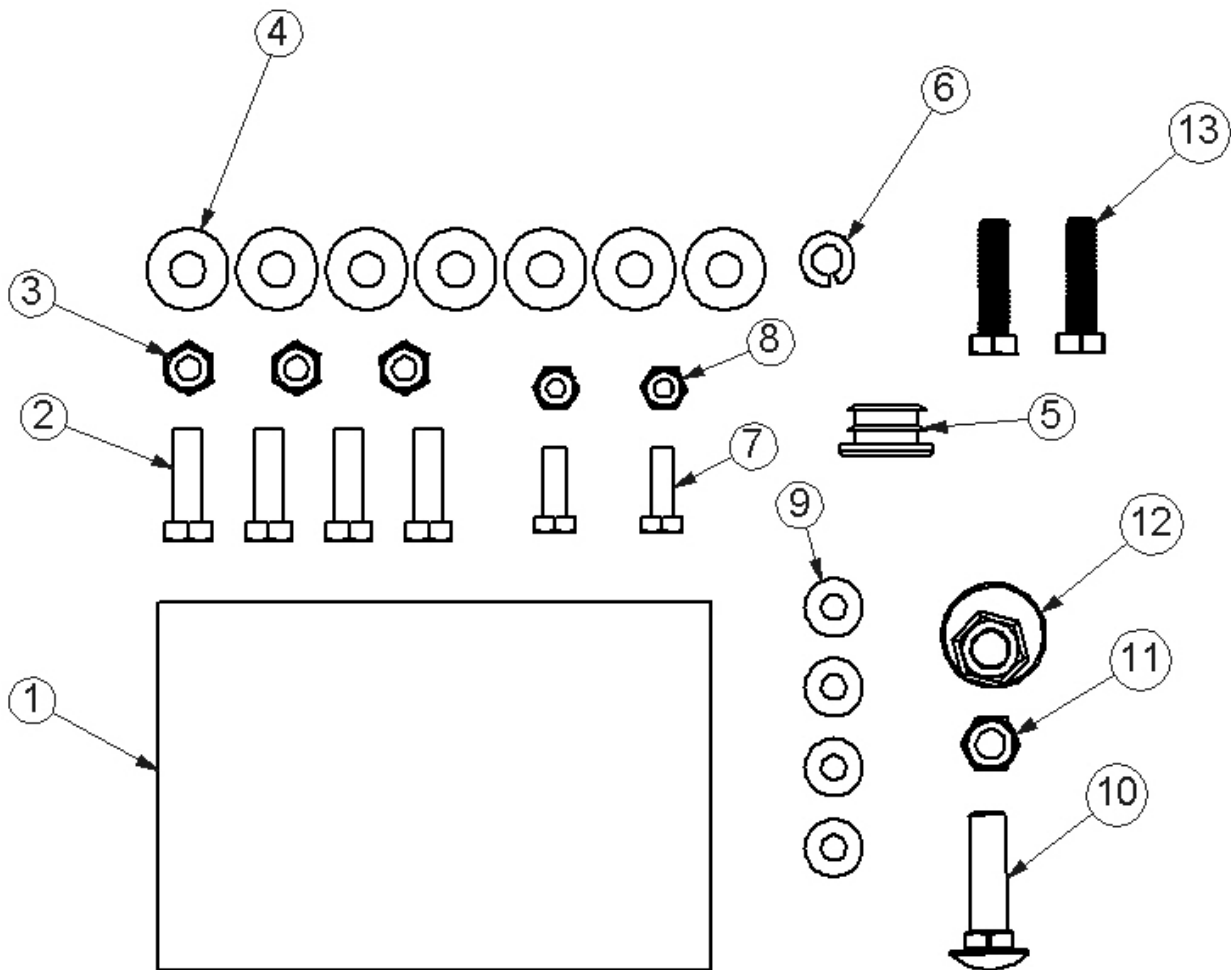
ITEM NO.	PART NUMBER	DESCRIPTION	69-DDCSGM/QTY.
1	52366	Ext Tube Asm, CS FT Plastisol	1
2	BAG69DDLRL	Fas Bag, DDLR Extension	1
3	52378	Ext Supt Brkt, GM	1
4	22856-B	FOOT CLAMP, BLACK, GMT600	1

69-DDSSGM
 GM STREET SIDE
 EXTENSION KIT.

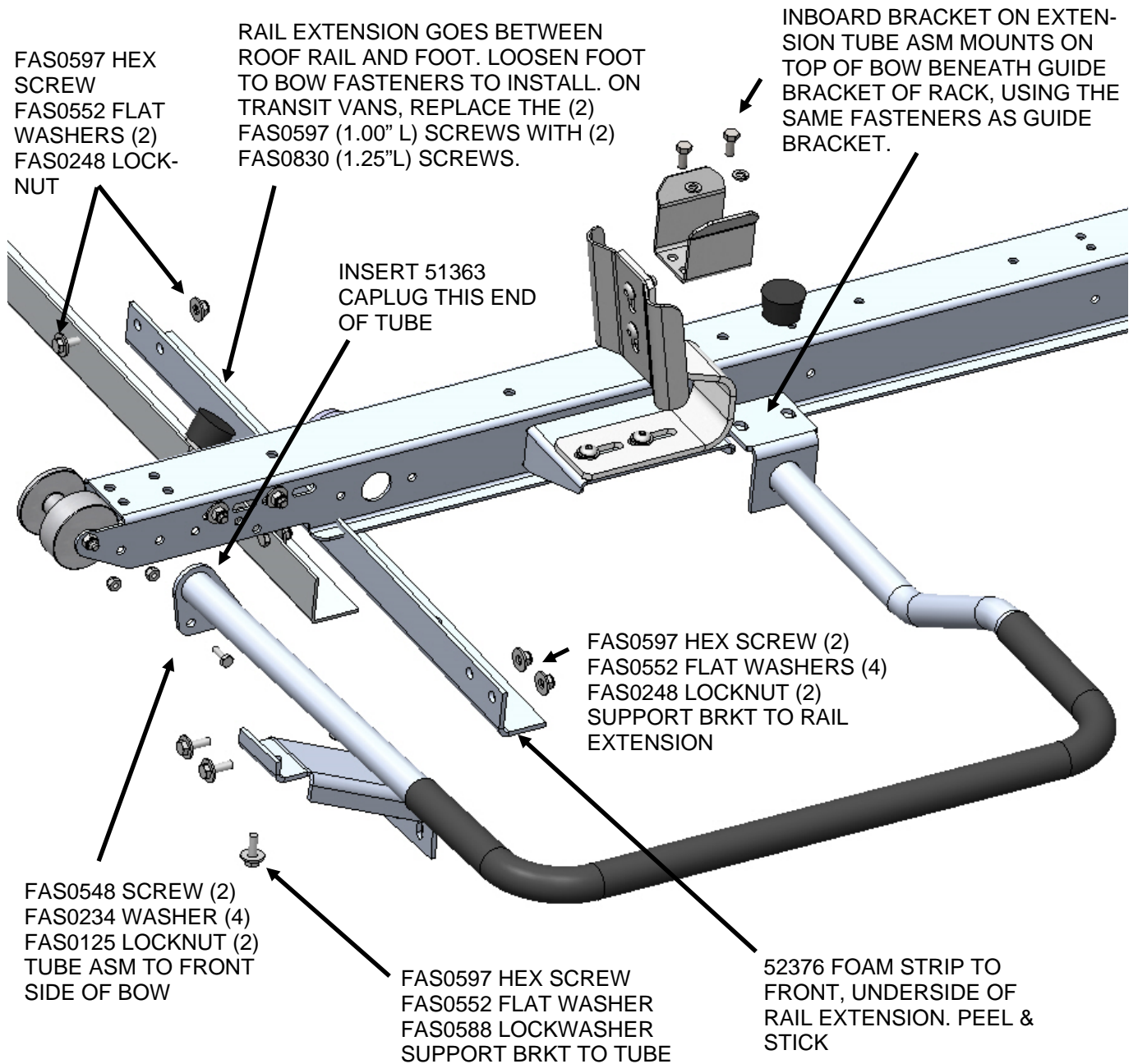
ITEM NO.	PART NUMBER	DESCRIPTION	69-DDSSGM/QTY.
1	52367	Ext Asm, SS, DDLR, Plastisol	1
2	BAG69DDLRL	Fas Bag, DDLR Extension	1
3	52378	Ext Supt Brkt, GM	1
4	22856-B	FOOT CLAMP, BLACK, GMT600	1

FASTENER BAG COMMON IN ALL EXTENSION KITS. CONTAINS FASTENERS FOR ALL APPLICATIONS AND INSTALLER WILL HAVE EXTRA FASTENERS!

ITEM NO.	PART NUMBER	DESCRIPTION	BAG69DDLRLR/QTY.
1	BAG0406-A	4" x 6" 3MIL AUTOBAG	1
2	FAS0597	Screw, Hex Hd, 5/16-18x 1.00 SST	4
3	FAS0248	Nut, Nylon Insert Lock, 5/16-18 SST	3
4	FAS0552	Washer, Flat, 5/16, SST	7
5	51363	CAP PLUG, RND, BLK, 1 DIA	1
6	FAS0588	Washer, Lock, Split, 5/16, SS	1
7	FAS0548	Screw, Hex Hd, 1/4-20x.75, Stainless Steel	2
8	FAS0125	Nut, Nylon Insert Lock, 1/4-20 SST	2
9	FAS0234	Washer, Flat, 1/4, SST	4
10	FAS0117	Bolt, Carriage, 3/8-16x1.5, NZ, G5	1
11	FAS0110	Nut, Hex Nylk 3/8-16 SS W	1
12	07466-0	ADJUSTING CAM NUT	1
13	FAS0830	Screw, Hex Hd, 5/16-18 X 1.25 SS	2

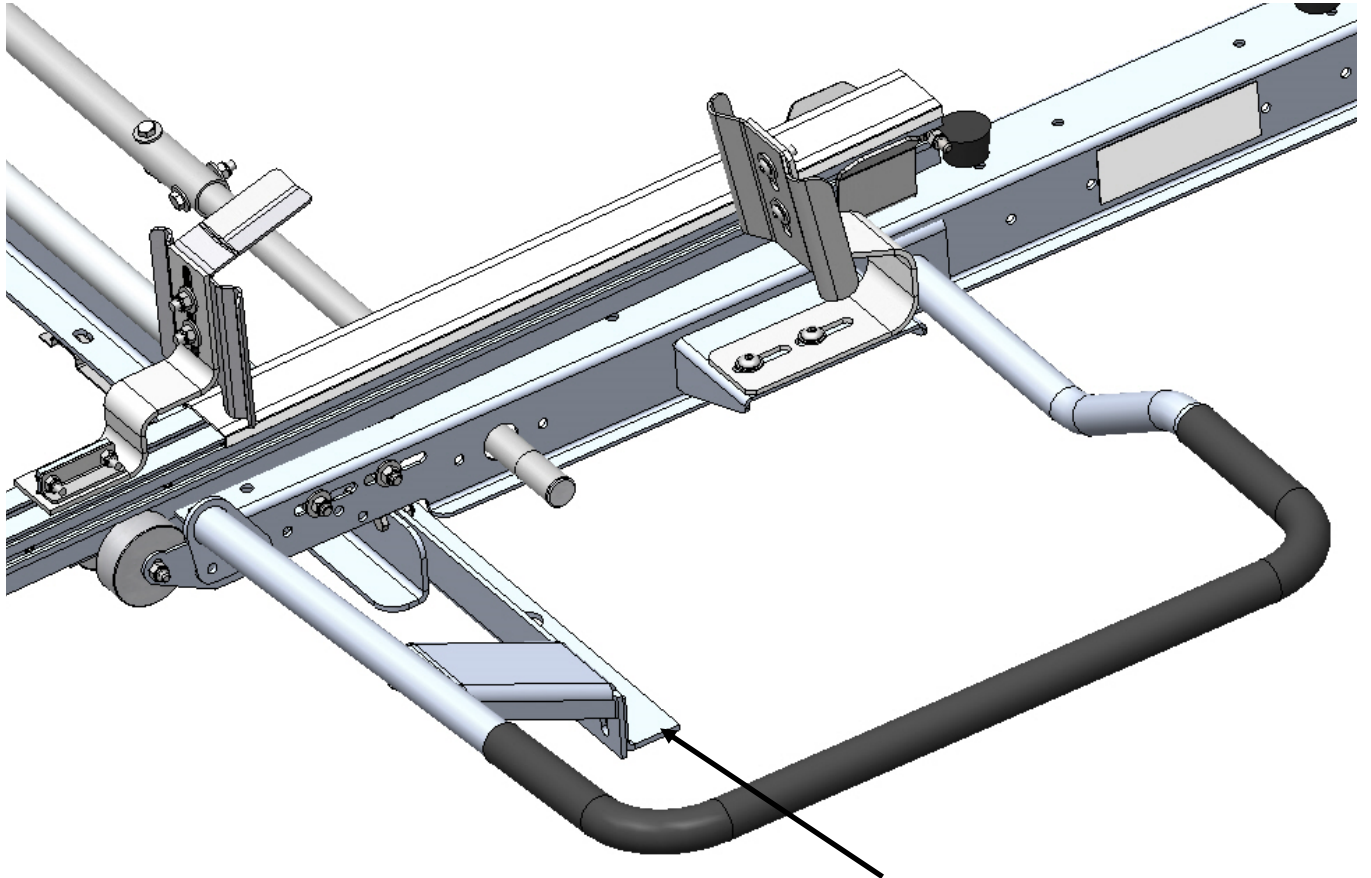


ASSEMBLE EXTENSION ON RACK—SEE NEXT FEW PAGES FOR IMAGES OF COMPLETED INSTALLATIONS



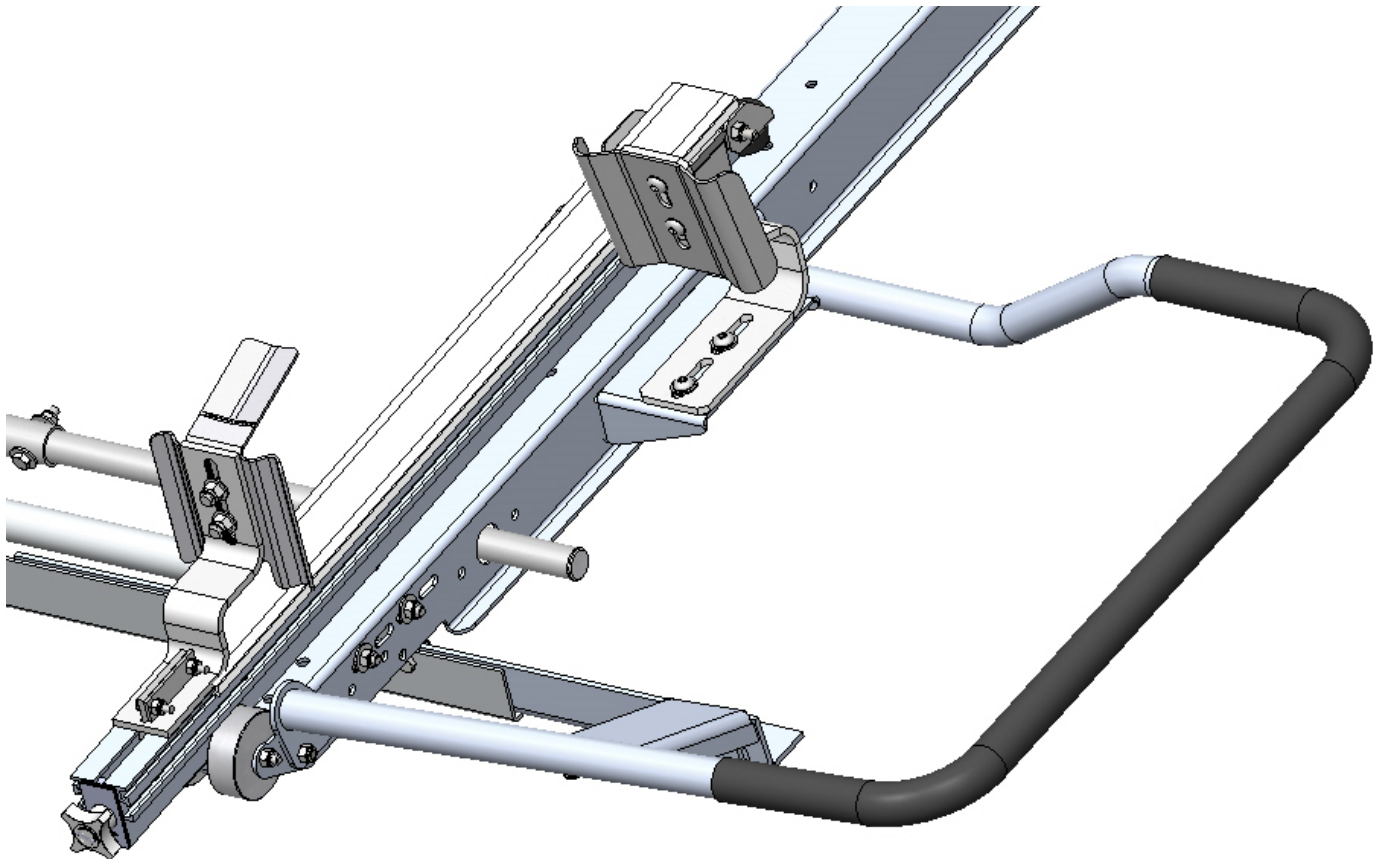
FORD TRANSIT LOW ROOF CURB SIDE SHOWN. STREET SIDE USES A SYMMETRICALLY OPPOSITE TUBE ASM. GM APPLICATIONS UTILIZE A SUPPORT BRACKET AND CLAMP TO ATTACH TO THE VAN'S DRIP RAIL.

COMPLETED INSTALL LOW ROOF NISSAN, CURB SIDE SHOWN



YOU WILL NOTICE THE MOUNTING TO THE NISSAN RAIL IS DIFFERENT THAN THE TRANSIT

COMPLETED INSTALL LOW ROOF TRANSIT CURB SIDE SHOWN



***DOUBLE-CHECK ALL FASTENER LOCATIONS TO
BE SURE THAT ALL FASTENERS ARE TIGHTENED
TO SPECIFICATIONS!***



**YOUR INSTALLATION IS NOW COMPLETE! STOW THIS COPY IN THE
VEHICLE FOR FUTURE REFERENCE.**