



PRODUCT WEIGHT
66 lbs

WIDTH x DEPTH x HEIGHT

CAPACITY
28 FOOT EXT

COLOR
Aluminum / Black

CATALOG NUMBER
64-GLFTL2

PRODUCT FEATURES

This Grip Lock and Roof Cross-bow Kit is designed to fit the Ford Transit, 130 and 148 wheel base, low roof vehicle. The grip lock will carry 16 to 28 foot extension ladders, and 8 to 12 foot step ladders. For shorter ladders, you will need the grip lock step ladder kit, GLSLKFSV. Use 69-GL for a 32 foot extension ladder.

The cross-bow kit is secured to the Ford Transit by OEM sup-

SEE PAGE 2 FOR APPLICATION NOTES AND ACCESSORIES, OTHER PRODUCTS THAT WORK WITH THIS UNIT.



GRIP LOCK GEN 2, DOUBLE W/ STEP LADDER KIT, LOW ROOF TRANSIT

CATALOG NUMBER 64-GLFTL2

PRODUCT APPLICATION

This Double grip lock with step ladder kit is designed to fit the 2016 and newer Ford Transit, low roof vehicles.

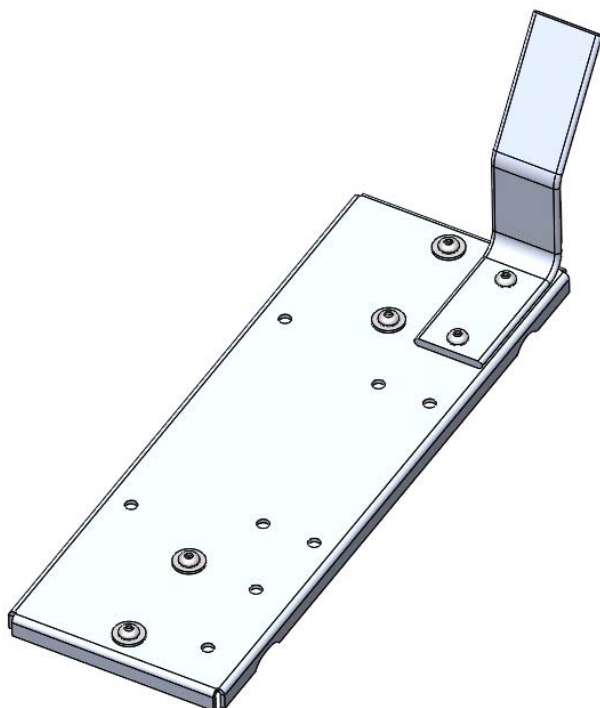
ACCESSORIES THAT WILL WORK WITH THIS PRODUCT

CATALOG NUMBER

DESCRIPTION

GLSLKFSV	STEP LADDER KIT , GRIP LOCK
69-GL	EXTENSION, GRIP LOCK LADDER RACK—FOR 32 FOOT LADDER
80-1LR 80-2LR	CONDUIT KITS, ALUMINUM
70-1LR 70-2LR	CONDUIT KITS, PVC

SPECIAL APPLICATION NOTES



PRODUCT WEIGHT

4.25 lbs

WIDTH x DEPTH x HEIGHT

8" x 20" x 7"

CAPACITY

6, 7 & 8 FT STEP

COLOR

Aluminum / Black

CATALOG NUMBER

GLSLKFSV

PRODUCT FEATURES

This Grip lock step ladder kit is designed to adapt to the 61-GL2 SERIES and 63-GL2 SERIES grip lock ladder racks.

This step ladder kit will get you move to any location along the new grip lock rack. This will allow you to carry shorter ladders on your vehicle.

This step ladder kit will accommodate a 6, 7 and 8 foot step ladder and on the extension ladders, a 12, 14 and 16 foot standard.

SEE PAGE 2 FOR APPLICATION NOTES AND ACCESSORIES, OTHER PRODUCTS THAT WORK WITH THIS UNIT.

CATALOG NUMBER GLSLKFSV

PRODUCT APPLICATION

This Grip lock step ladder kit is designed to adapt to the 61-GL2 SERIES and 63-GL2 SERIES grip lock ladder racks.

ACCESSORIES THAT WILL WORK WITH THIS PRODUCT

CATALOG NUMBER **DESCRIPTION**

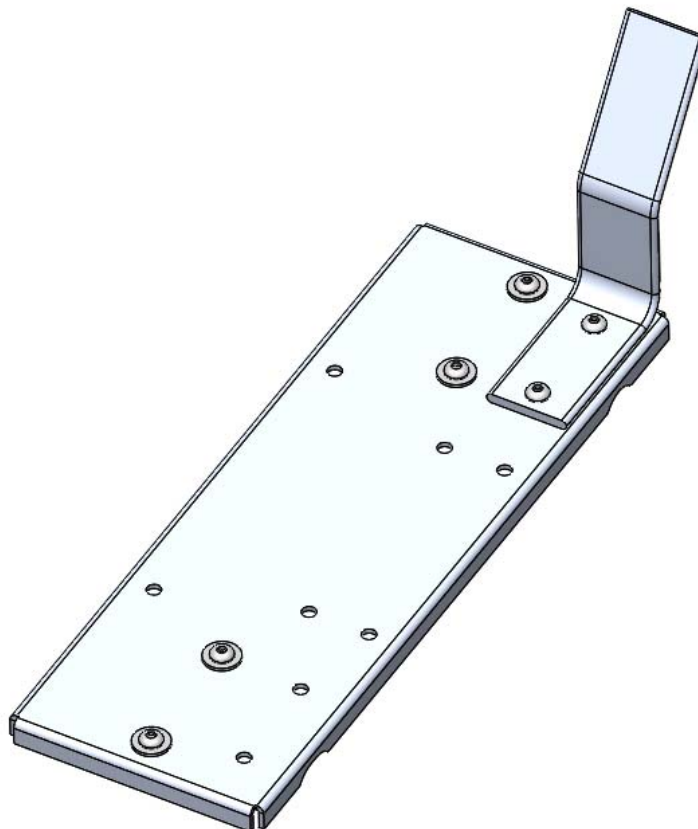
SPECIAL APPLICATION NOTES

Introduction / Comments:

THIS GRIP LOCK STEP LADDER KIT IS DESIGNED TO ADAPT TO YOUR GM GRIP LOCK AND CROSS BOW KIT.

Note:

It is advised that all fasteners used in this assembly and installation of this Rack should be checked for tightness at the following intervals: @ 2-weeks and again @ 6-weeks of operation. This preventive maintenance step must be completed to ensure your package gives you long service life.



**GLSLKFSV
GRIP LOCK STEP LADDER KIT
VARIOUS LOW ROOF VEHICLES**

- PRECAUTIONS -



CAUTION
THE USE OF AIR IMPACT TOOLS CAN
OVER-TORQUE FASTENERS AND
CAUSE FASTENER FAILURE!



CAUTION
ALL INSTALLATION HOLES SHOULD BE SEALED
WITH SILICON OR BUTYL SEALANT TO PREVENT
EXHAUST FUMES FROM ENTERING THE VEHICLE!



DANGER
INSPECT FOR FUEL TANK, FUEL LINES, BRAKE LINES, HIGH
VOLTAGE BATTERIES AND ELECTRICAL LINES PRIOR TO
DRILLING TO AVOID DAMAGING CRITICAL VEHICLE SYSTEMS
OR INJURY TO INSTALLER DURING INSTALLATION PROCESS!



CAUTION
TO AVOID DAMAGING THE VEHICLE ALWAYS USE DRILL
STOPS WHEN DRILLING ANY INSTALLATION HOLES!
ADRIAN AVAILABLE PART #'S 31119-0 (3/8" X 1/2"
DEEP), 31121-0 (1/2" x 1/2" DEEP)



- IMPORTANT WARRANTY REQUIREMENTS -

1. SUBSTITUTING ADRIAN STEEL SPECIFIED FASTENERS FOR ASSEMBLY AND/OR INSTALLATION WILL VOID YOUR PRODUCT WARRANTY.
2. ALL HOLES DRILLED INTO VEHICLE SHOULD HAVE THE RAW METAL EDGES SEALED WITH A SELF-ETCHING PRIMER TO RESIST CORROSION AND POTENTIAL FASTENER POINT FAILURE.
3. ALL FASTENERS USED IN THE INSTALLATION OF THIS PRODUCT SHOULD BE TIGHTENED TO THE TORQUE(S) SPECIFIED IN THESE INSTRUCTIONS.
4. THESE INSTRUCTIONS SHOULD BE KEPT WITH THE VEHICLE.

THE BASIC TOOLS NEEDED FOR MOST INSTALLATIONS



DRILL



DRILL BIT WITH
STOP



RATCHET, SOCKETS
AND/OR WRENCHES



SCREWDRIVERS

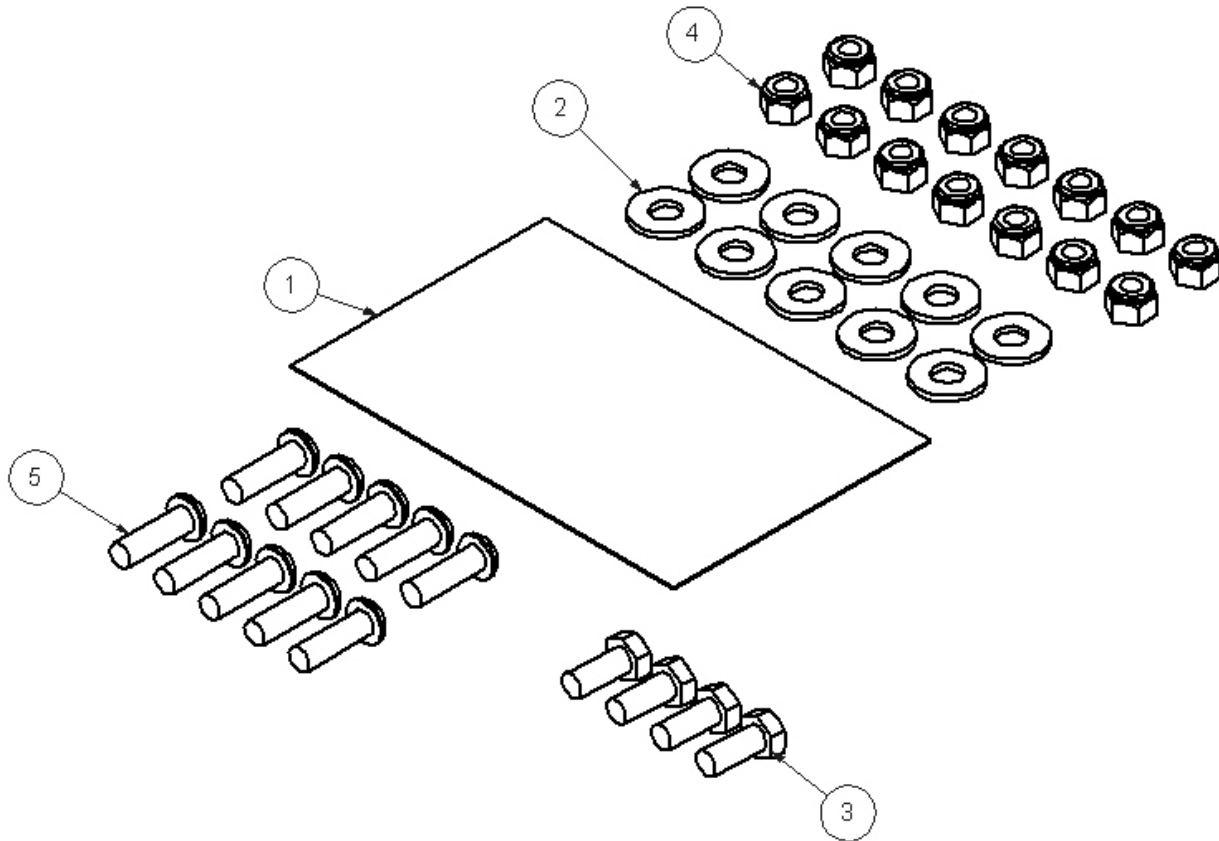


MEASURING TAPE

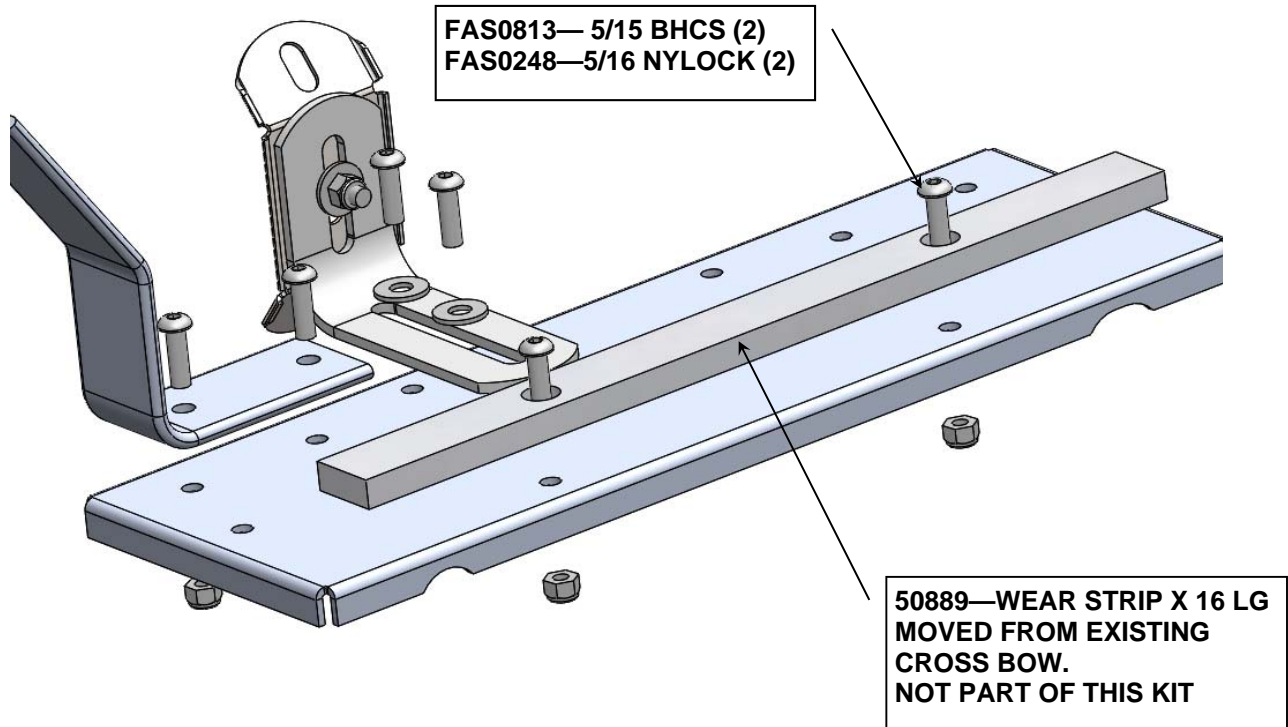
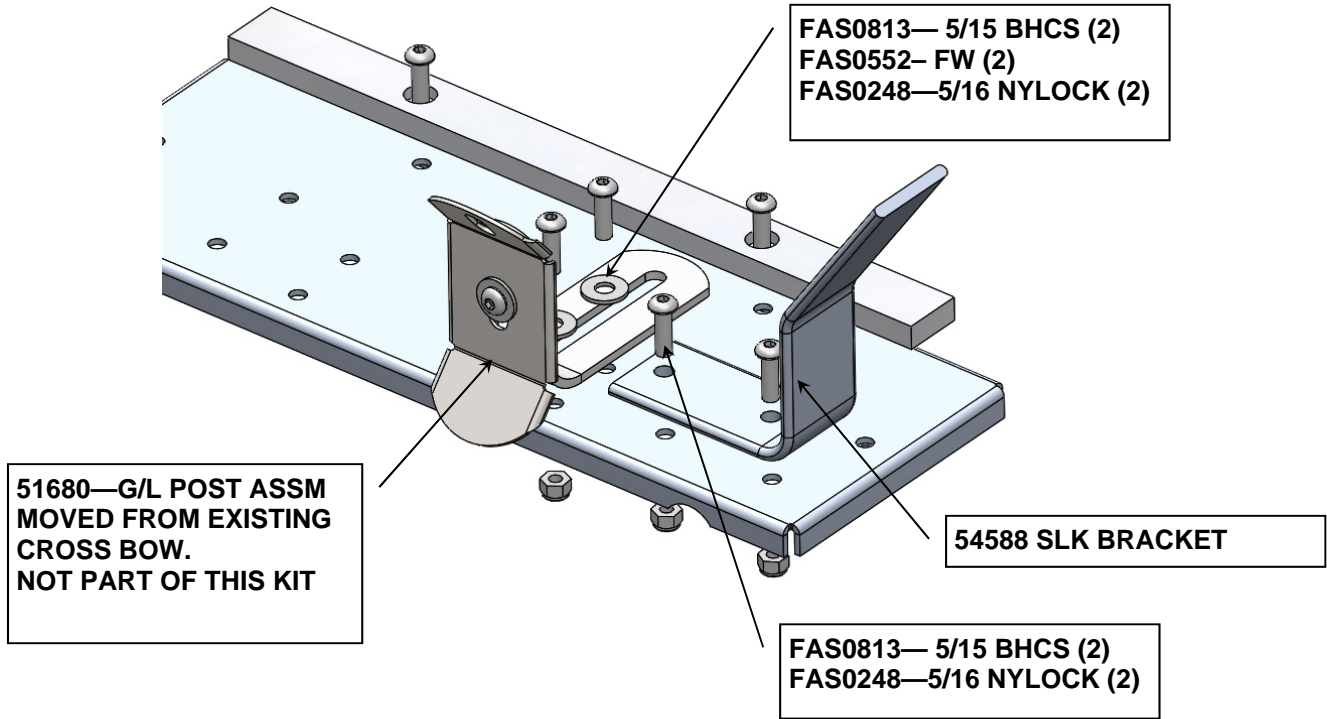
ADDITIONAL TOOLS MAY BE NEEDED FOR THIS INSTALLATION AND THEY WILL BE IDENTIFIED IN THE STEPS THAT FOLLOW.

BAGGLSLK - FASTENER BAG

ITEM NO.	PART NUMBER	DESCRIPTION	QTY.
1	BAG0406-A	4" x 6" 3MIL AUTOBAG	1
2	FAS0552	Washer, Flat, 5/16, SST	10
3	FAS0799	Screw, Hex Hd, 5/16-18x0.75 SS	4
4	FAS0248	Nut, Nylon Insert Lock, 5/16-18 SST	14
5	FAS0813	Screw, BHCS, 5/16-18X1.00, SS	10

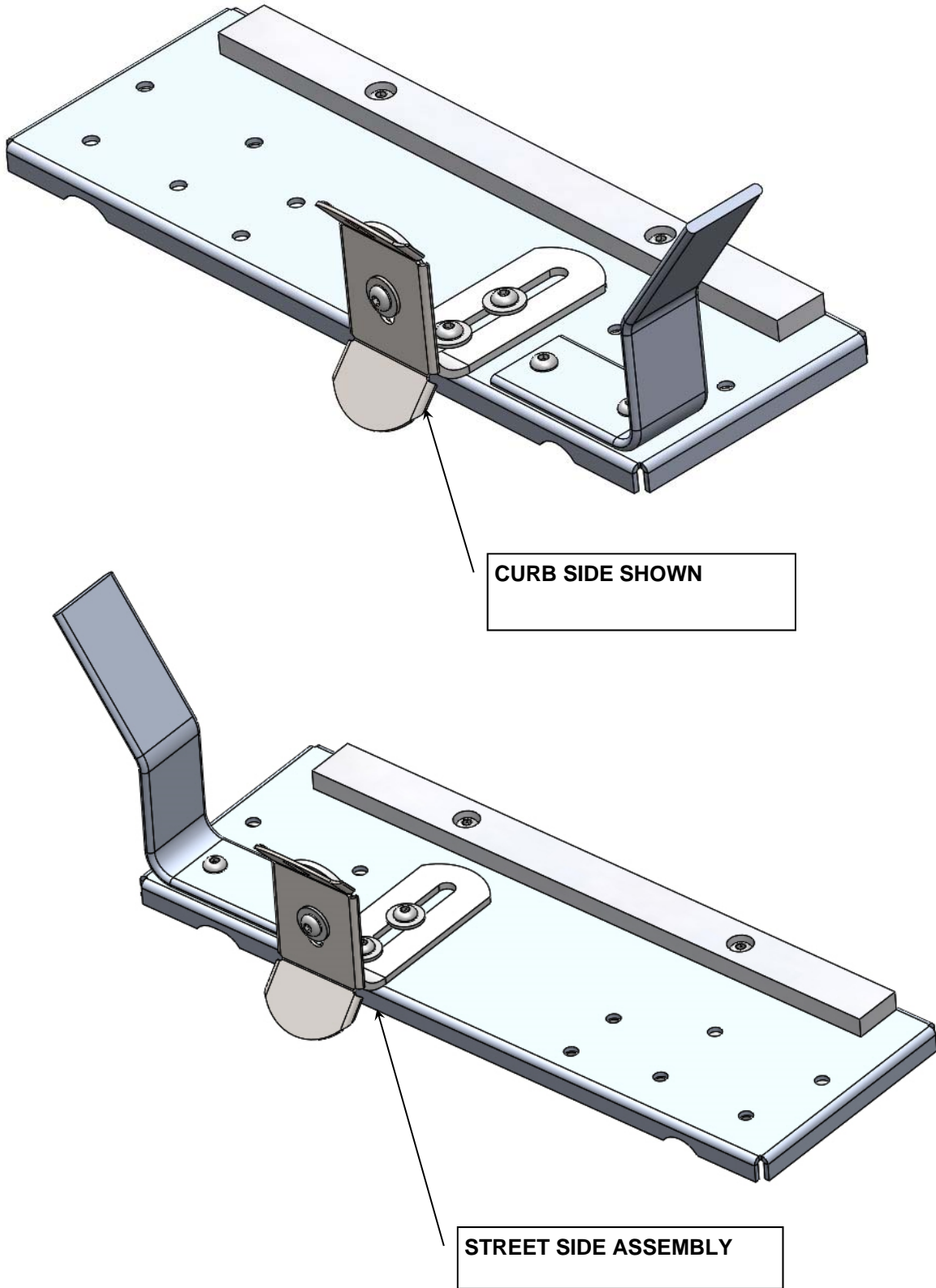


STEP #1A : SUB ASSEMBLE STEP LADDER KIT—CURB SIDE SHOWN



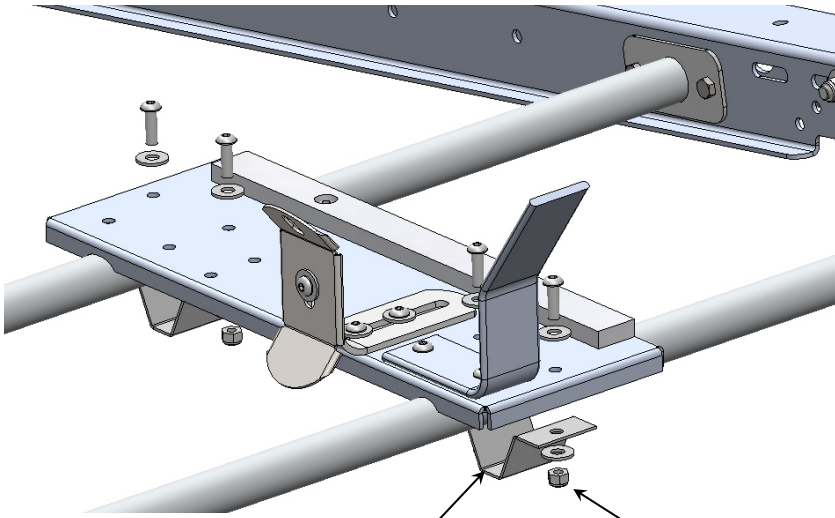


STEP #1B : SUB ASSEMBLE STEP LADDER KIT



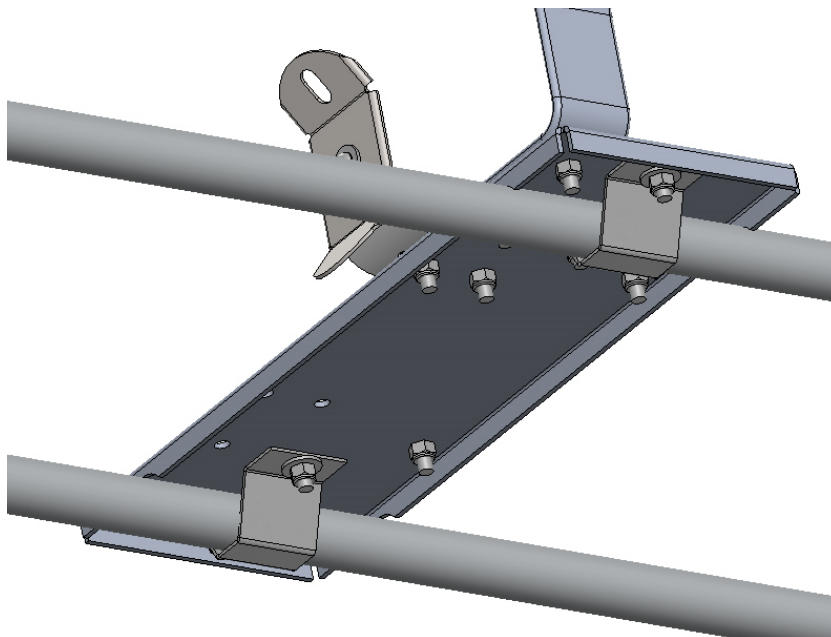
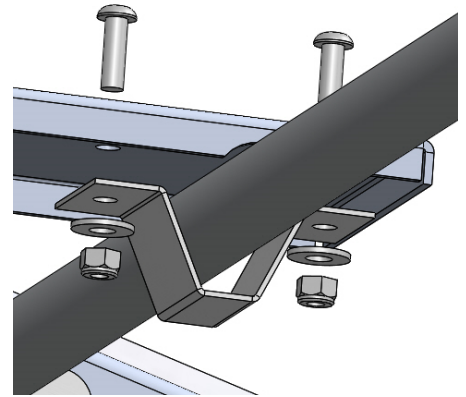


**STEP #2: PLACE G/L STEP LADDER KIT ON THE INSTALLED GRIP LOCK.
MOVE TO DESIRED LOCATION DEPENDING ON YOUR LADDER**

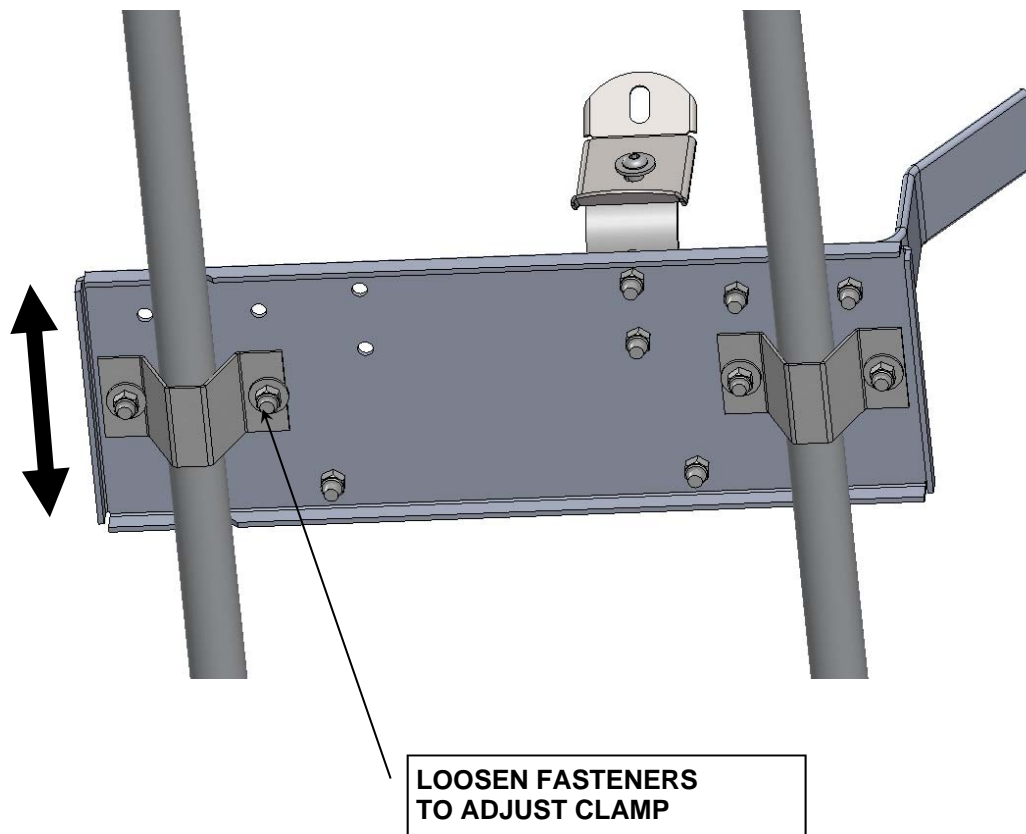
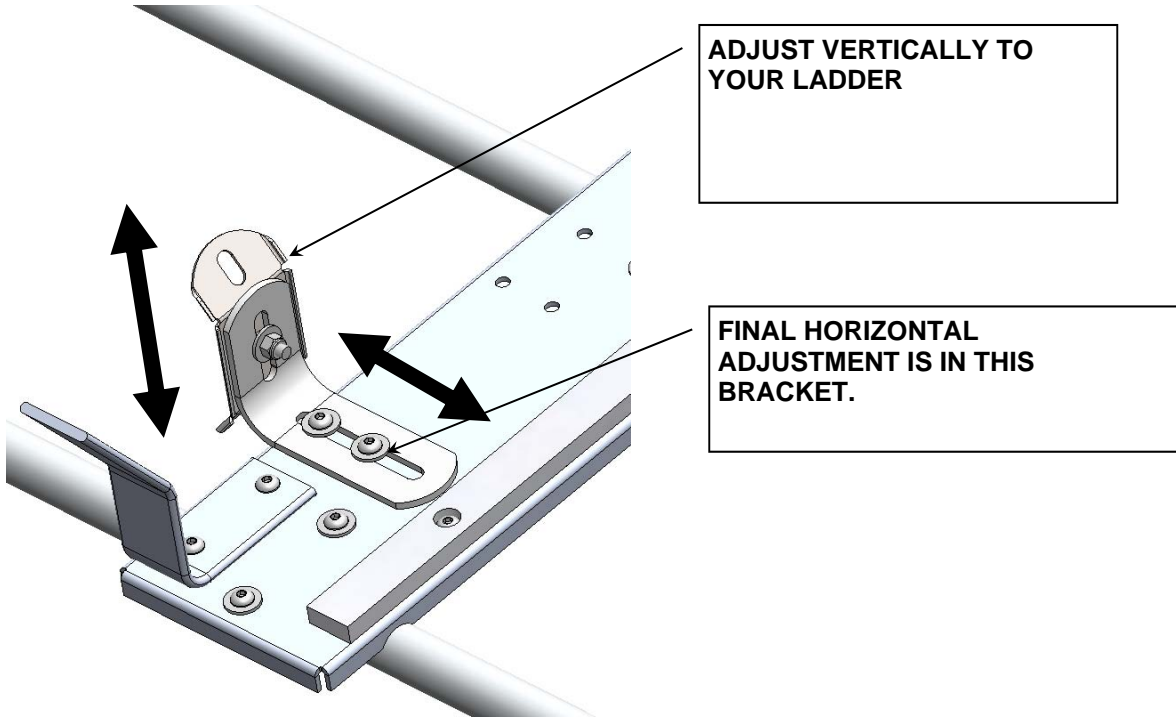


54587—CAPTURE
BRACKET (2)

FAS0813— 5/16 X1 LG BHCS (4)
FAS0552— FW (8)
FAS0248-NYLOCK (4)



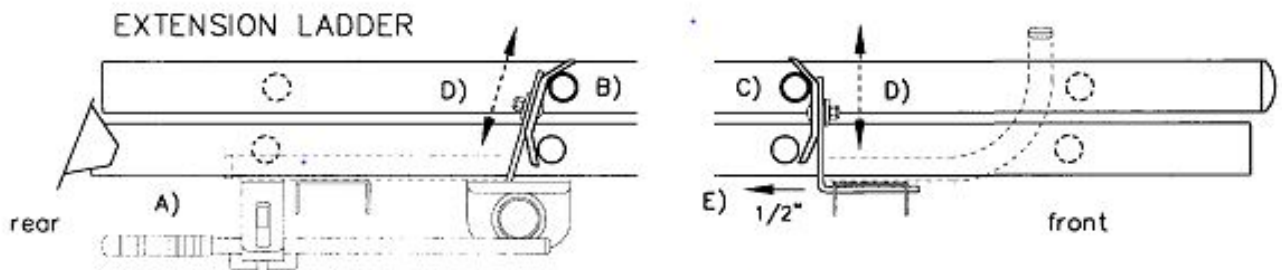
STEP #10A: HOW TO ADJUST THE CLAMP PADS





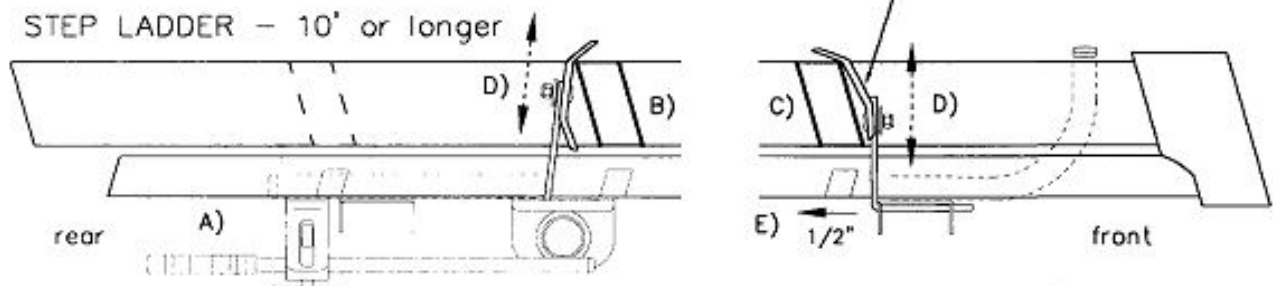
STEP #10B : HOW TO ADJUST THE CLAMP PADS

- A) Load your ladder onto the ladder rack (see page 14) and latch the HANDLE BAR into the HANDLE LATCH.
- B) Now slide the ladder back towards the rear of the vehicle and slide the rear CLAMP BRACKET to fit snug over and against the top ladder rung. ** See bottom illustration for STEP LADDERS ! **
SEE ILLUSTRATION BELOW.
- C) Next slide the FRONT STOP POST at the front of the ladder rack back towards the rear of the vehicle and fit the front CLAMP BRACKET to the top ladder rung the same as the rear.
- D) Firmly tighten both front and rear CLAMP BRACKETS to their posts and tighten snug the FRONT STOP POST to the front CROSS SUPPORT.
- E) Now unlatch the HANDLE BAR and unload your ladder. Next loosen the FRONT STOP POST and slide it out towards the rear of the vehicle 1/2" and FIRMLY RETIGHTEN !
YOUR LADDER RACK SHOULD NOW BE ADJUSTED FOR YOUR LADDER.



CAUTION: Never clamp up the first step and the head of the STEP LADDER !

Front CLAMP BRACKET must be attached like this !



**DOUBLE CHECK ALL FASTENERS LOCATIONS TO BE SURE THAT ALL FASTENERS ARE TIGHTENED TO SPECIFICATIONS.
YOUR INSTALLATION IS NOW COMPLETE!
STOW THIS COPY IN THE VEHICLE FOR FUTURE REFERENCES!**

Note: As per the image below, the curbside of the vehicle should be the default location for the step ladder kit.





PRODUCT WEIGHT
31 lbs

WIDTH x DEPTH x HEIGHT

CAPACITY
190

COLOR
Aluminum

CATALOG NUMBER
RRKFT130

PRODUCT FEATURES

This Roof Cross-bow Kit is designed to fit the Ford Transit, 130 and 148 wheel base. This base kit allows mounting of the new re-designed drop down and grip-lock ladder rack series.

Cross-bow kits is secured to the Ford Transit by OEM supplied fastening points.

SEE PAGE 2 FOR APPLICATION NOTES AND ACCESSORIES, OTHER PRODUCTS THAT WORK WITH THIS UNIT.

CATALOG NUMBER RRKFT130

PRODUCT APPLICATION

This Roof Cross-bow Kit is designed to fit the Low roof transit, 130 and 148 wheel base. This will allow mounting of the new re-designed drop down and grip-lock ladder rack series.

ACCESSORIES THAT WILL WORK WITH THIS PRODUCT

<i>CATALOG NUMBER</i>	<i>DESCRIPTION</i>
DDL61FTL	DROP DOWN LADDER RACK, CURB SIDE
DDL63FTL	DROP DOWN LADDER RACK, DOUBLE
61-GLFTL	GRIP LOCK, SINGLE, CURB SIDE
63-GLFTL	GRIP LOCK, DOUBLE

SPECIAL APPLICATION NOTES

Introduction / Comments:

THIS ROOF RAIL AND CROSS BOW KIT IS DESIGNED FOR THE FORD TRANSIT LOW ROOF VANS, BOTH 130" AND 148" WHEEL BASE. IT IS THE BASE UNIT FOR ALL OF THE LADDER RACK COMBINATIONS FOR THIS VEHICLE. INCLUDING THE SINGLE AND DOUBLE DROP DOWN LADDER RACK, THE SINGLE AND DOUBLE GRIP LOCK, AND THE COMBO GRIP LOCK DROP DOWN LADDER RACK.

Note:

It is advised that all fasteners used in this assembly and installation of this Rack should be checked for tightness at the following intervals: @ 2-weeks and again @ 6-weeks of operation. This preventive maintenance step must be completed to ensure your package gives you long service life.



TO VIEW INSTALL VIDEO

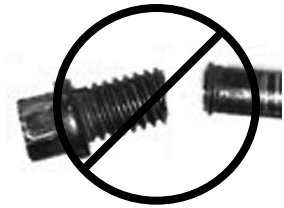


**RRKFT130
ROOF RAIL AND CROSS BOW KIT
FORD TRANSIT LOW ROOF VANS**

- PRECAUTIONS -





 **CAUTION** 
**THE USE OF AIR IMPACT TOOLS CAN
OVER-TORQUE FASTENERS AND
CAUSE FASTENER FAILURE!**



 **CAUTION** 
**ALL INSTALLATION HOLES SHOULD BE SEALED
WITH SILICON OR BUTYL SEALANT TO PREVENT
EXHAUST FUMES FROM ENTERING THE VEHICLE!**



 **DANGER** 
**INSPECT FOR FUEL TANK, FUEL LINES, BRAKE LINES, HIGH
VOLTAGE BATTERIES AND ELECTRICAL LINES PRIOR TO
DRILLING TO AVOID DAMAGING CRITICAL VEHICLE SYSTEMS
OR INJURY TO INSTALLER DURING INSTALLATION PROCESS!**



 **CAUTION** 
**TO AVOID DAMAGING THE VEHICLE ALWAYS
USE DRILL STOPS WHEN DRILLING ANY IN-
STALLATION HOLES!**



- IMPORTANT WARRANTY REQUIREMENTS -

1. SUBSTITUTING ADRIAN STEEL SPECIFIED FASTENERS FOR ASSEMBLY AND/OR INSTALLATION WILL VOID YOUR PRODUCT WARRANTY.
2. ALL HOLES DRILLED INTO VEHICLE SHOULD HAVE THE RAW METAL EDGES SEALED WITH A SELF-ETCHING PRIMER TO RESIST CORROSION AND POTENTIAL FASTENER POINT FAILURE.
3. ALL FASTENERS USED IN THE INSTALLATION OF THIS PRODUCT SHOULD BE TIGHTENED TO THE TORQUE(S) SPECIFIED IN THESE INSTRUCTIONS.
4. THESE INSTRUCTIONS SHOULD BE KEPT WITH THE VEHICLE.

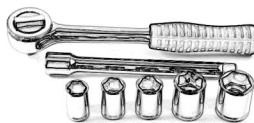
THE BASIC TOOLS NEEDED FOR MOST INSTALLATIONS



DRILL



DRILL BIT WITH
STOP



RATCHET, SOCKETS
AND/OR WRENCHES



SCREWDRIVERS

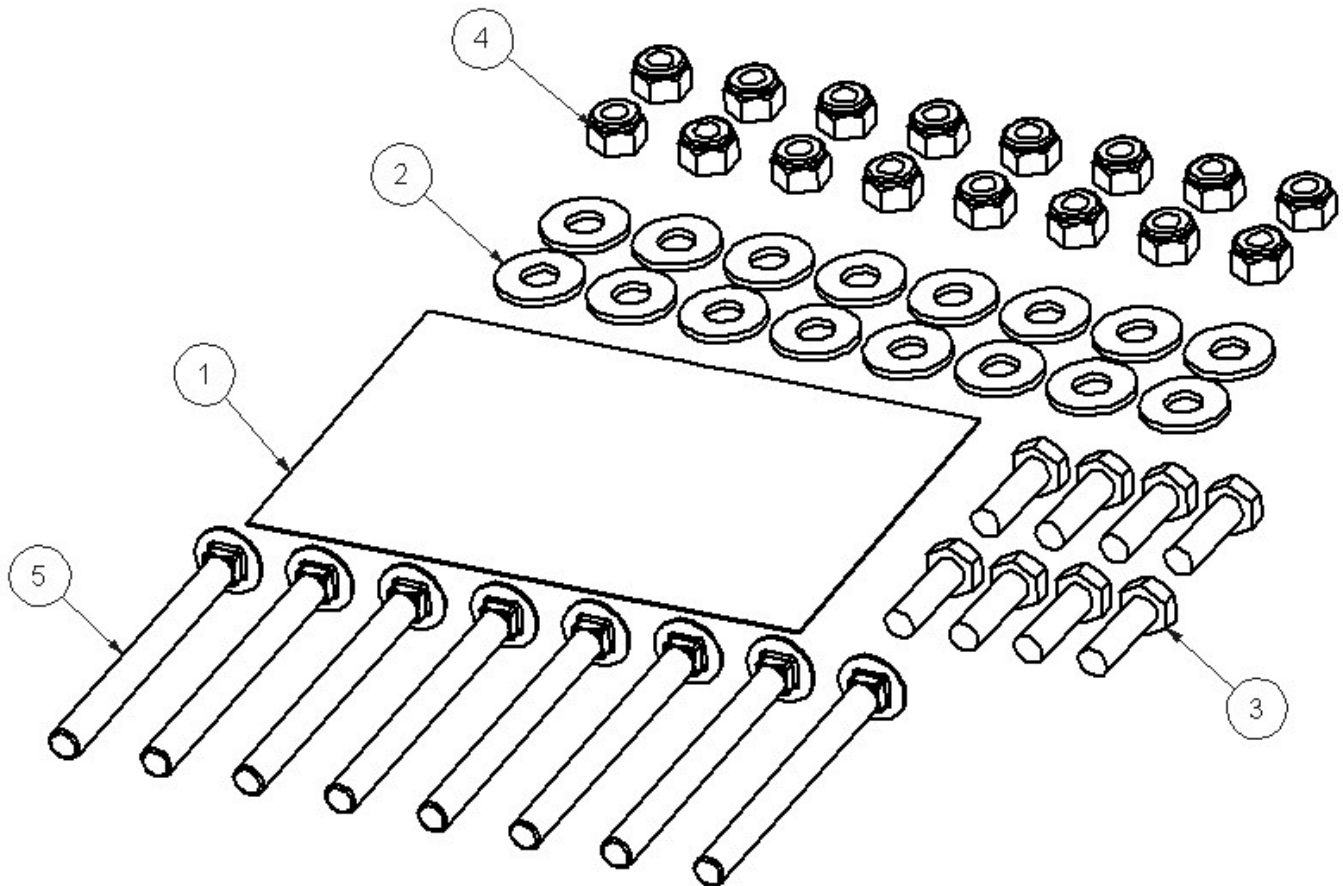


MEASURING TAPE

ADDITIONAL TOOLS MAY BE NEEDED FOR THIS INSTALLATION AND THEY WILL BE IDENTIFIED IN THE STEPS THAT FOLLOW.

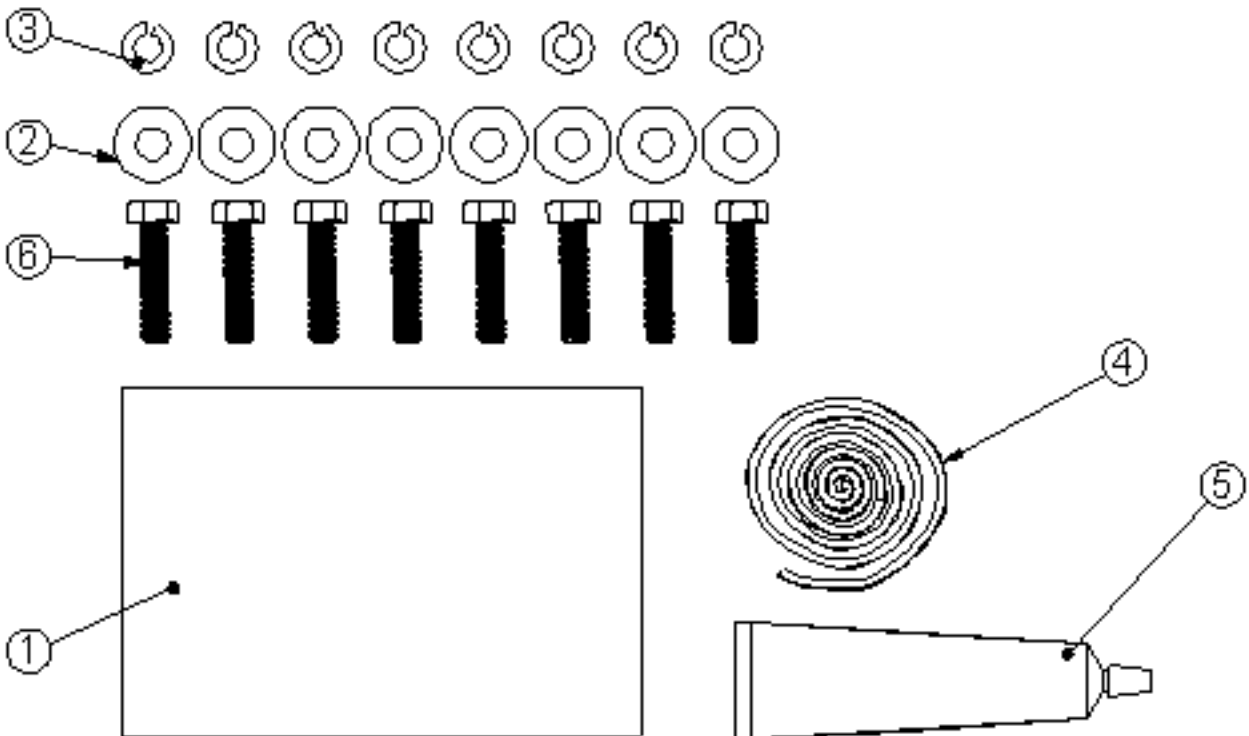
BAG50896 - FASTENER BAG

ITEM NO.	PART NUMBER	DESCRIPTION	BAG50896/QTY.
1	BAG0406-A	4" x 6" 3MIL AUTOBAG	1
2	FAS0552	Washer, Flat, 5/16, SST	16
3	FAS0597	Screw, Hex Hd, 5/16-18x 1.00 SST	8
4	FAS0248	Nut, Nylon Insert Lock, 5/16-18 SST	16
5	FAS0808	Bolt, Carriage, 5/16-18x3 1/2	8



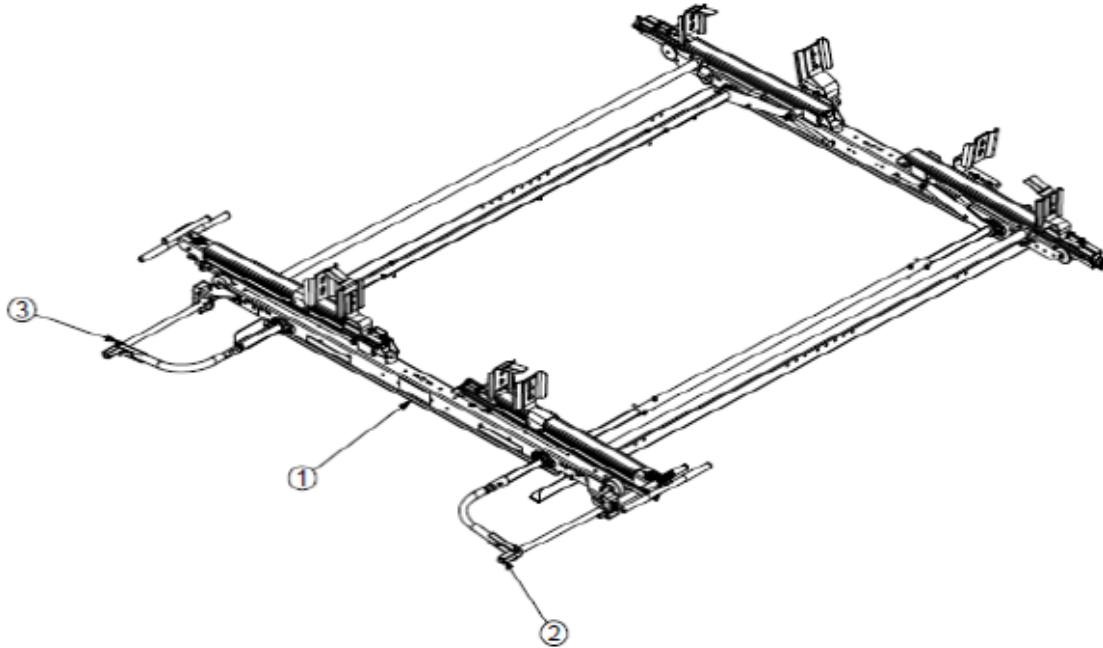
BAGRRKFTL—FASTENER BAG, TRANSIT ROOF RAILS

ITEM NO.	PART NUMBER	DESCRIPTION	BAGFTLRRK/QTY.
1	BAG0406-A	4" x 6" 3MIL AUTOBAG	1
2	FAS0552	Washer, Flat, 5/16, SST	8
3	FAS0588	Washer, Lock, Split, 5/16, SS	8
4	05586-0	Butyl Tape, T224 -1/2"X 1' Roll	1
5	26618-0	Silicone Sealant	1
6	FAS0173	SCREW, HH, M8-1.25X35 SS	8



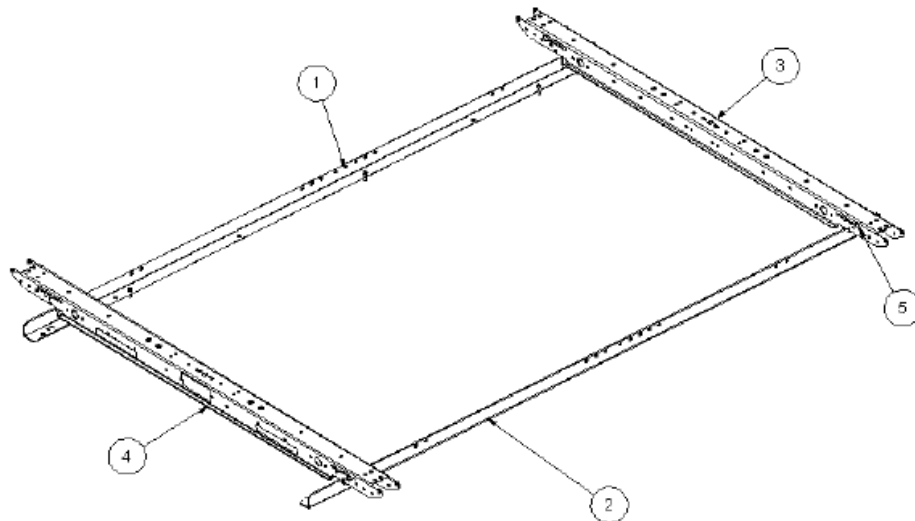
LADDER RACK ASSEMBLY—DDL63FTL

ITEM NO.	PART NUMBER	DESCRIPTION	DDL63FTL QTY.
1	RRKFT130	ROOF RAIL KIT, TRANSIT, LR	1
2	DDL61LCS	DDL61, CURB SIDE, LOW ROOF	1
3	DDL61LSS	DDL61, STREET SIDE, LOW ROOF	1



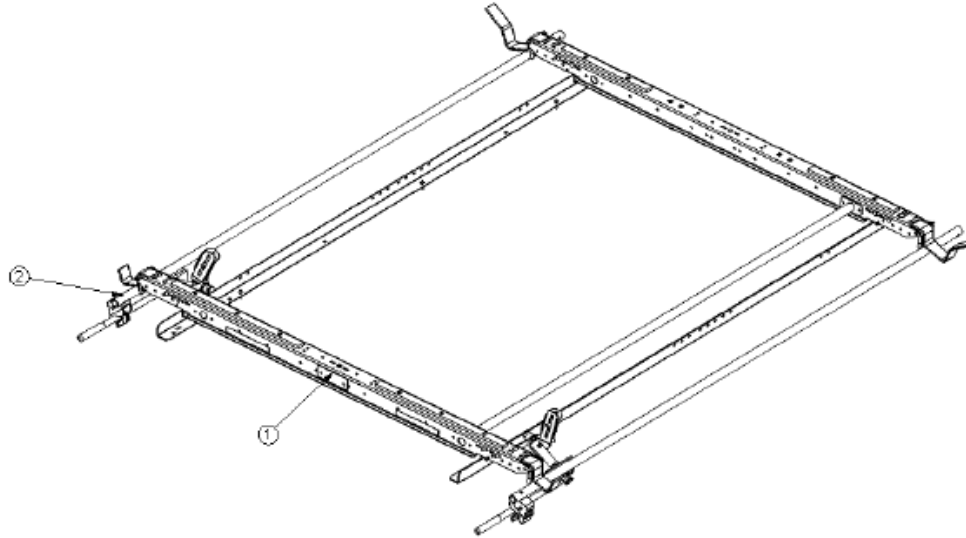
RRKFT130 - ROOF RAIL KIT, TRANSIT, LR

ITEM NO.	PART NUMBER	DESCRIPTION	RRKFT130 QTY.
1	50893	ROOF RAIL, SS FTL	1
2	50894	Roof Rail, CS, FTL	1
3	51398	FRONT CROSS BOW ASSM, TRANSIT STD	1
4	51399	REAR CROSS BOW ASSM, TRANSIT STD	1
5	40323	FOOT, NISSAN	4



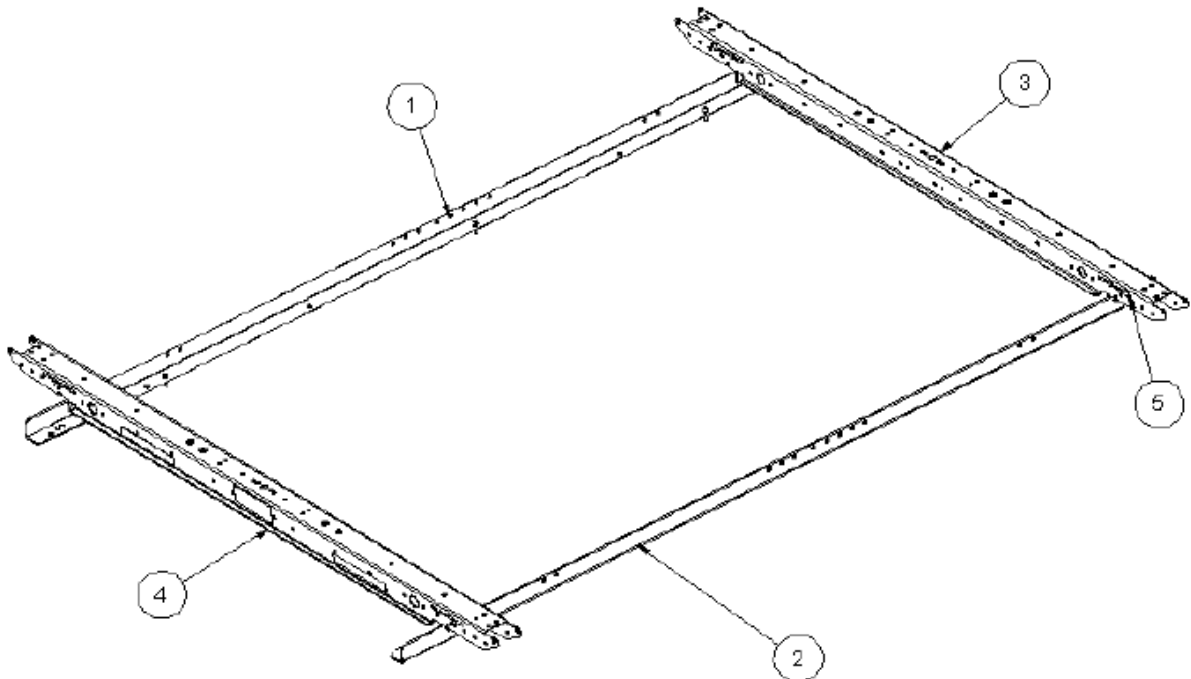
LADDER RACK ASSEMBLY — 63 - GLFTL

ITEM NO.	PART NUMBER	DESCRIPTION	63-GLFTL/QTY.
1	RRKFT130	ROOF RAIL KIT, TRANSIT, LR	1
2	51686	GRIP LOCK LADDER RACK, DBL, LR	1



RRKFT130 — ROOF RAIL KIT, TRANSIT, LR

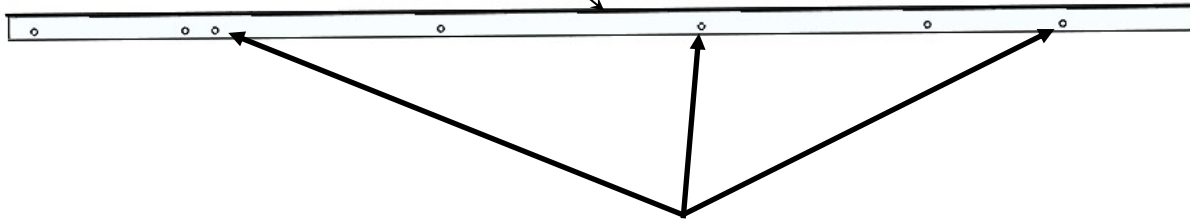
ITEM NO.	PART NUMBER	DESCRIPTION	RRKFT130/QTY.
1	50893	ROOF RAIL, SS FTL	1
2	50894	Roof Rail, CS, FTL	1
3	51398	FRONT CROSS BOW ASSM, TRANSIT STD	1
4	51399	REAR CROSS BOW ASSM, TRANSIT STD	1
5	40323	FOOT,NISSAN	4





STEP #1 : PREP ROOF RAILS—NOTE THE HOLE PATTERNS

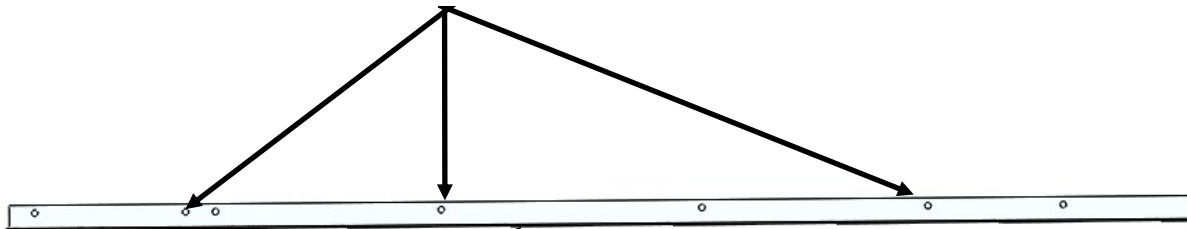
50893 STREET SIDE ROOF RAIL
TOE UP TO THE OUTSIDE



130" WB MOUNTING
LOCATIONS BOTH SIDES
3rd, 5th and 7th HOLE

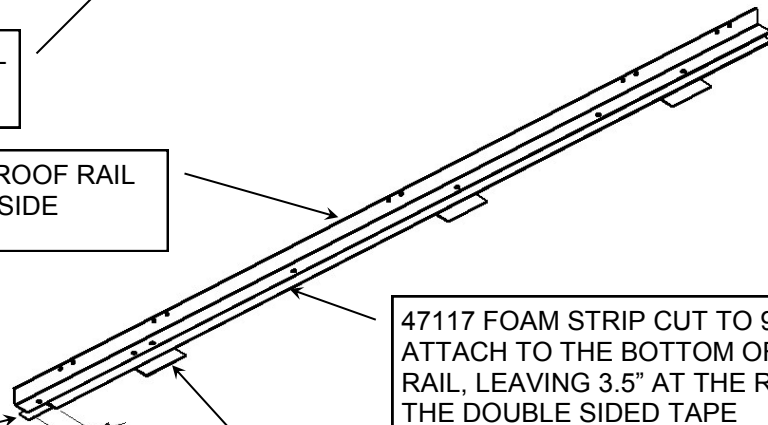
REAR OF THE VAN

148" WB MOUNTING
LOCATIONS BOTH SIDES
2nd, 4th and 6th HOLE



50894 CURB SIDE ROOF RAIL
TOE UP TO THE OUTSIDE

50893 STREET SIDE ROOF RAIL
TOE UP TO THE OUTSIDE



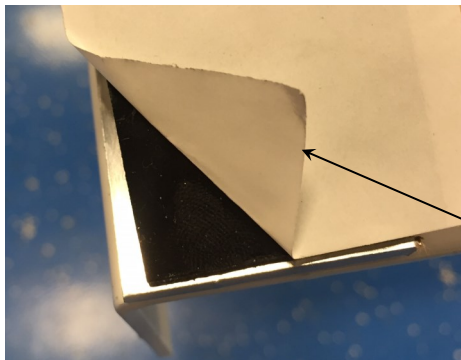
47117 FOAM STRIP CUT TO 91.5" AND
ATTACH TO THE BOTTOM OF THE
RAIL, LEAVING 3.5" AT THE REAR FOR
THE DOUBLE SIDED TAPE

REAR OF VAN

43417 DOUBLE
SIDED TAPE

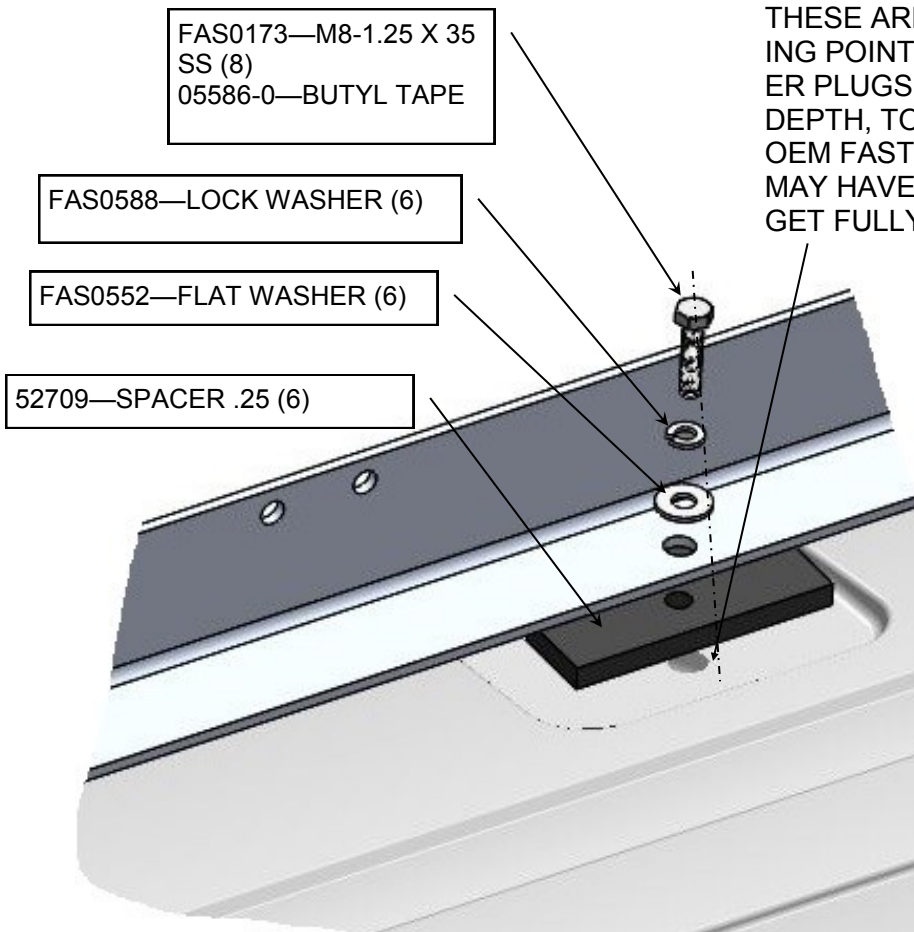
3.5

52709, PLACE THE 1/4 THICK RUBBER
SPACER UNDER EACH HOLE TO BE
USED AS SHOWN.



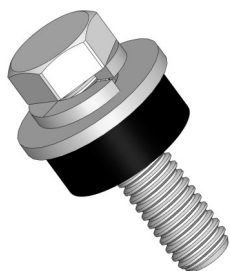
43417 DOUBLE SIDED TAPE
PEAL EDGE OVER TO ASSIST
WHEN INSTALLING

**SHIP THRU ONLY—STEP #2A INSTALL
RAILS ON VEHICLE**



REMOVE PLASTIC PLUGS FROM SQUARE DEPRESSIONS ONLY. THESE ARE THE FACTORY MOUNTING POINTS. DO **NOT** REMOVE OTHER PLUGS!! RUN M8-1.25 TAP, FULL DEPTH, TO CLEAN OUT THREADS IN OEM FASTENER IF NECESSARY. MAY HAVE TO REPEAT PROCESS TO GET FULLY CLEAN.

CAREFULLY REMOVE PLASTIC PLUGS FROM FACTORY ATTACHMENT POINTS. NOTE, THEY ARE INSTALLED PRIOR TO VEHICAL BEING PAINTED. IF ROOF CLEARANCE HOLES AND OEM FASTENER ARE MISALIGNED TOO FAR, HOLE IN ROOF SKIN MAY NEED TO BE ENLARGED (AND PRIMERED), AS WELL AS CORRESPONDING HOLE IN ROOF RAIL OF RACK. WRAP SCREWS WITH BUTYL TAPE BENEATH WASHERS, ENOUGH TO FILL HOLE IN RAIL. PUSH SREWS THRU FOAM, AND RUBBER PAD, ADD ENOUGH SILICONE TO FILL EACH CAVITY. INSTALL SCREWS AND WASHERS AS SHOWN. TORQUE TO 10 TO 12 FT LBS. TORQUE ALL FASTENERS ON RACK ITSELF TO 10-12 FT LBS. DO NOT OVER-TORQUE AS THESE ARE STAINLESS STEEL FASTENERS!

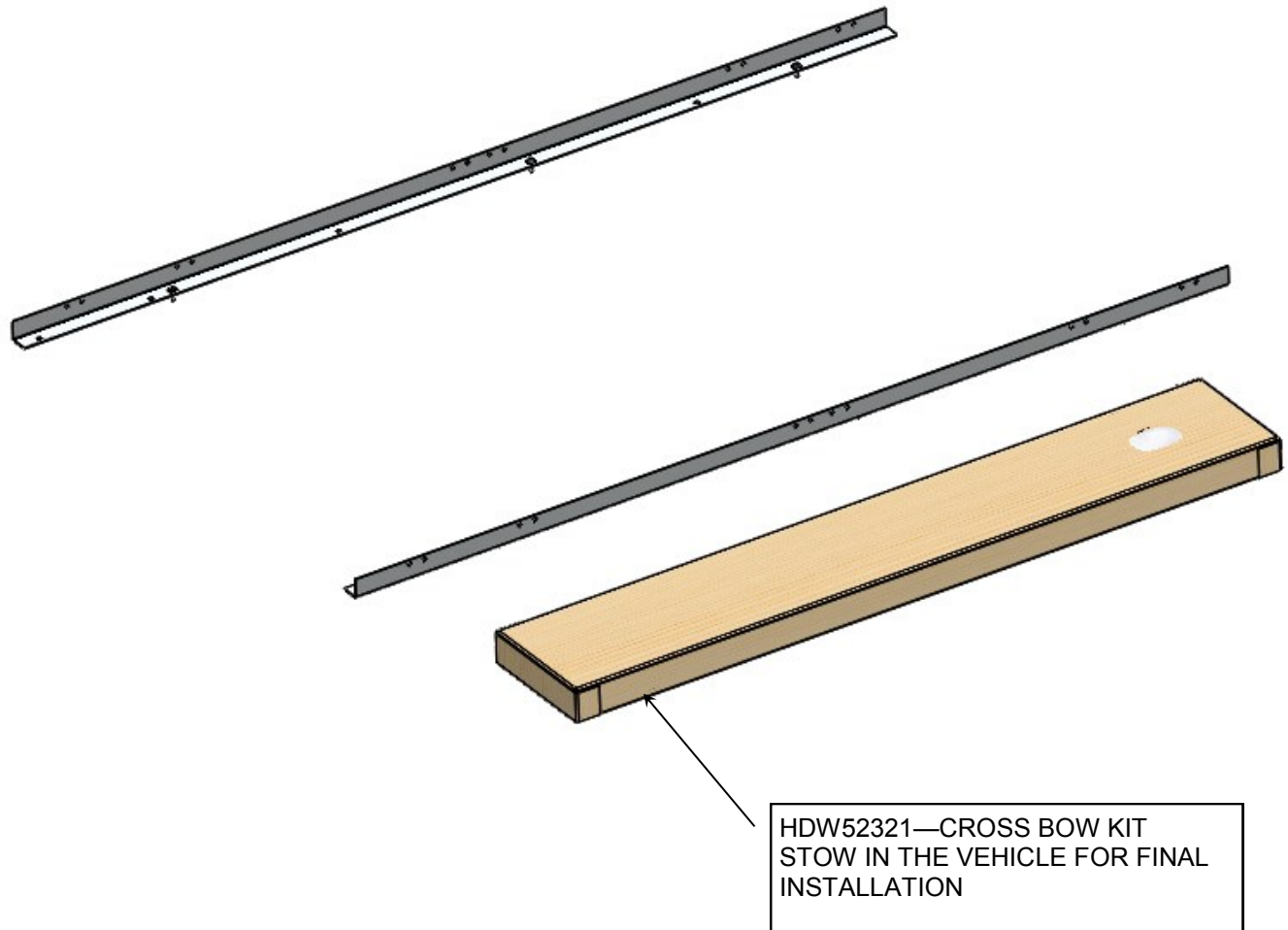


GENERIC PICTURE—MAY NOT LOOK LIKE YOUR FASTENER. MOUNTING SCREW WITH WASHERS AND BUTYL TAPE BEFORE INSTALLATION (LEFT) AND WHAT IT SHOULD LOOK LIKE AFTER INSTALLATION (RIGHT).



SHIP THRU ONLY—STEP #2B THIS IS WHAT YOUR SHIP THRU FINAL INSTALLATION WILL LOOKS LIKE.

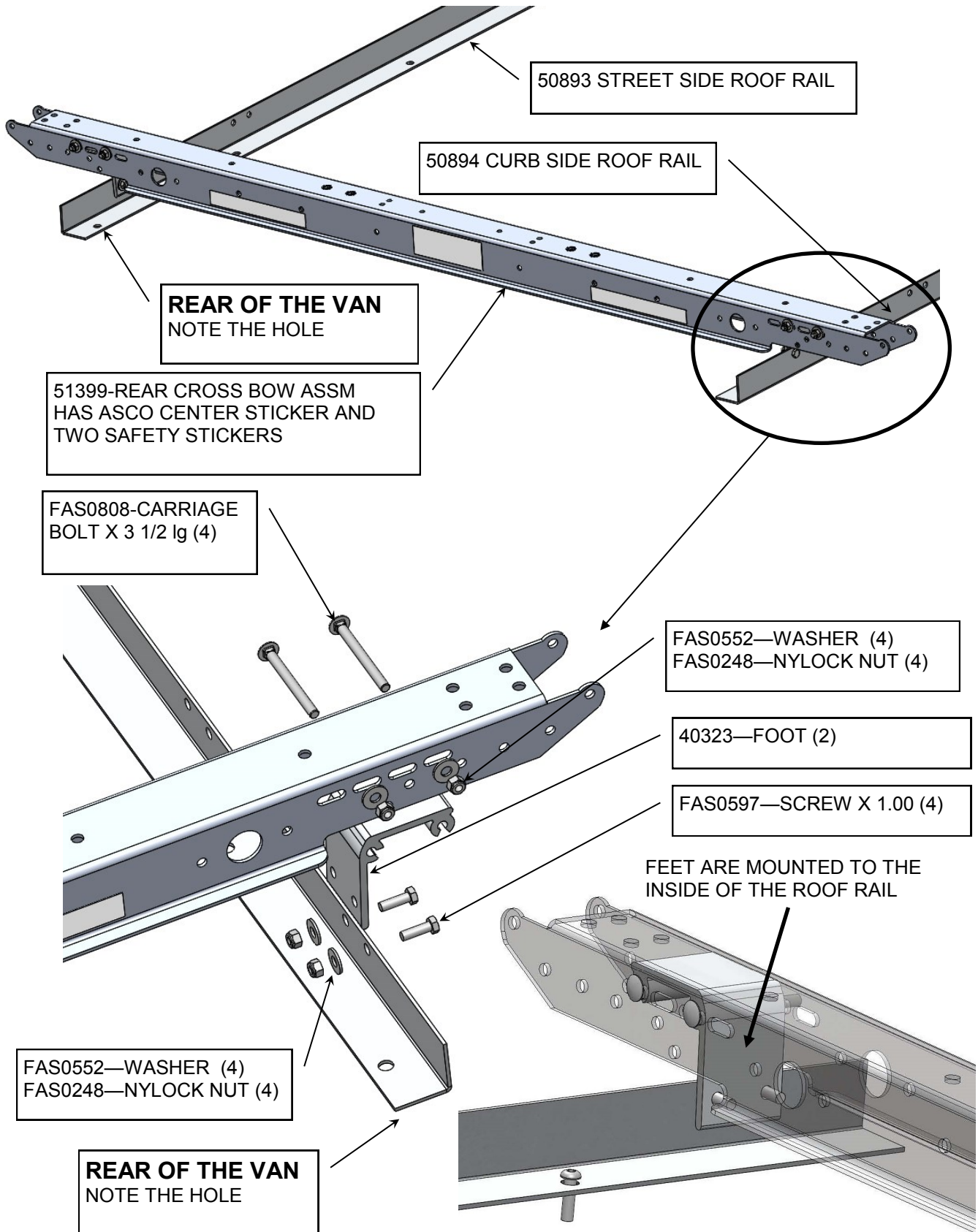
CONTINUE TO STEP #3 FOR A COMPLETE ASSEMBLY / INSTALL



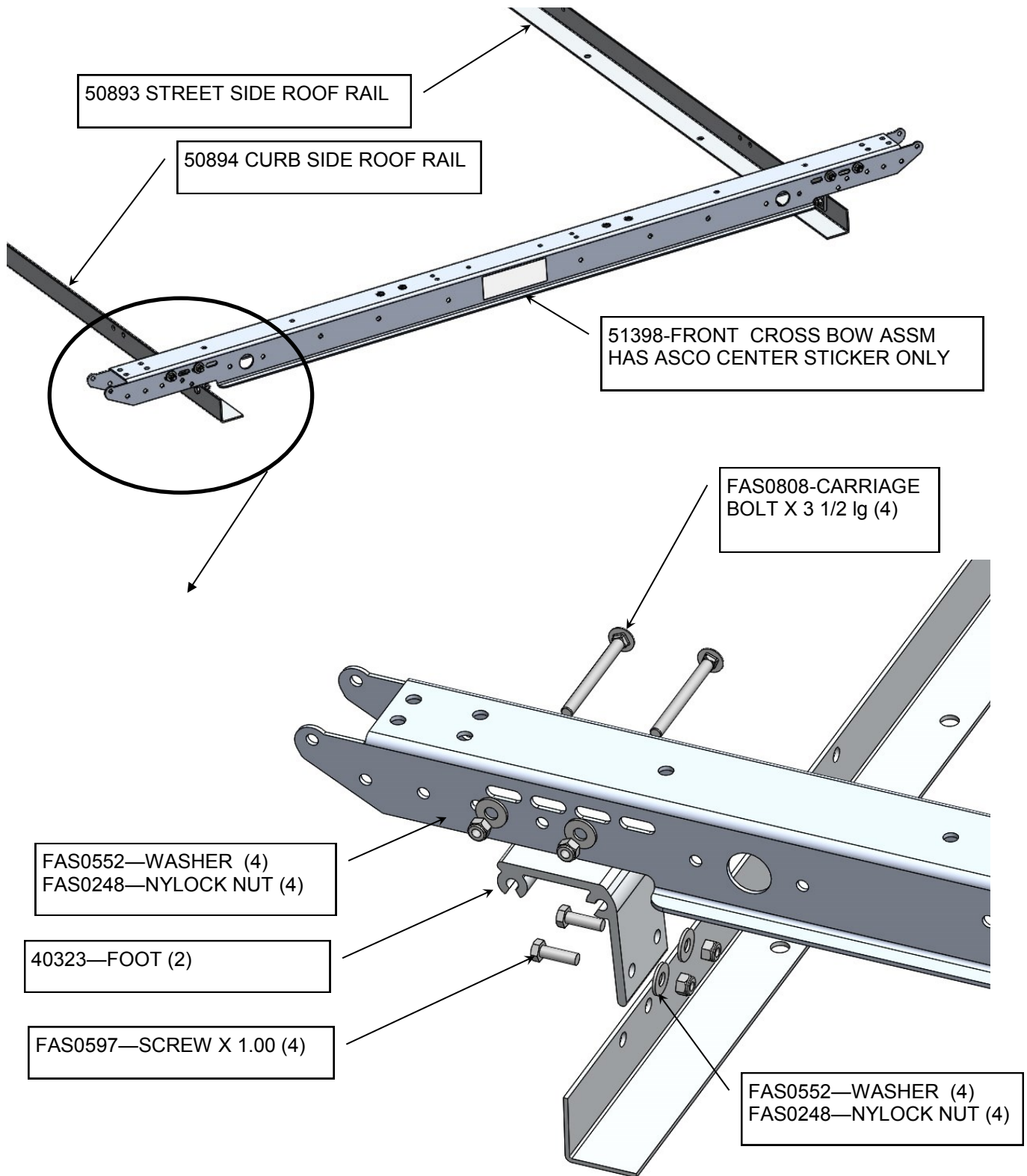
STEP #2B : THIS IS THE FINISHED ROOF RAIL KIT FOR SHIP THRU

-CONTINUE TO STEP #3 FOR A COMPLETE ASSEMBLY / INSTALL

STEP #3 : ASSEMBLE REAR CROSS BOW TO THE ROOF RAILS

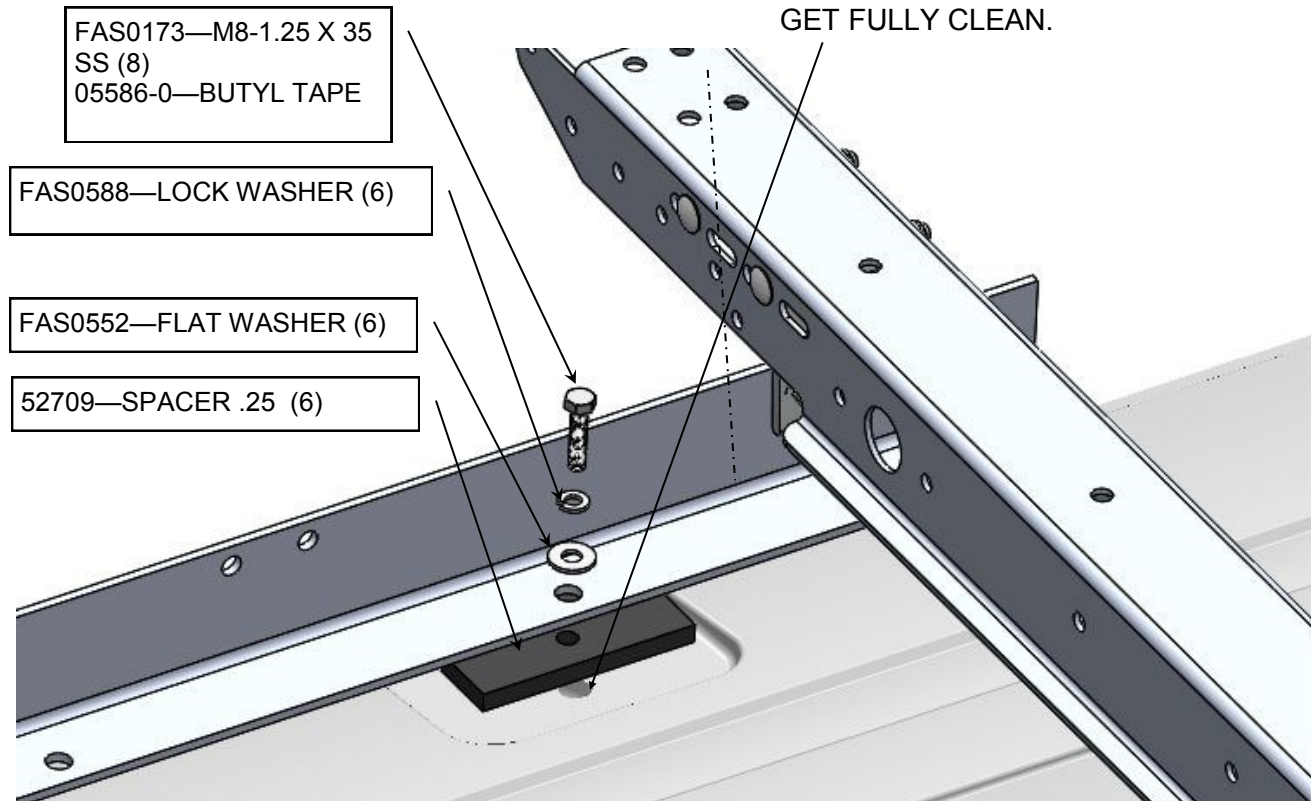


STEP #3 : ASSEMBLE FRONT CROSS BOW TO THE ROOF RAILS

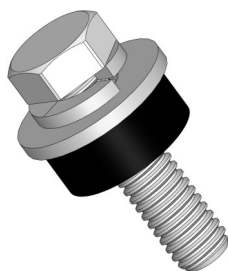


STEP #5 INSTALL RACK ON VEHICLE

REMOVE PLASTIC PLUGS FROM SQUARE DEPRESSIONS ONLY. THESE ARE THE FACTORY MOUNTING POINTS. DO **NOT** REMOVE OTHER PLUGS!! RUN M8-1.25 TAP, FULL DEPTH, TO CLEAN OUT THREADS IN OEM FASTENER IF NECESSARY. MAY HAVE TO REPEAT PROCESS TO GET FULLY CLEAN.



CAREFULLY REMOVE PLASTIC PLUGS FROM FACTORY ATTACHMENT POINTS. NOTE, THEY ARE INSTALLED PRIOR TO VEHICAL BEING PAINTED. IF ROOF CLEARANCE HOLES AND OEM FASTENER ARE MISALIGNED TOO FAR, HOLE IN ROOF SKIN MAY NEED TO BE ENLARGED (AND PRIMERED), AS WELL AS CORRESPONDING HOLE IN ROOF RAIL OF RACK. WRAP SCREWS WITH BUTYL TAPE BENEATH WASHERS, ENOUGH TO FILL HOLE IN RAIL. PUSH SCREWS THRU FOAM, AND RUBBER PAD, ADD ENOUGH SILICONE TO FILL EACH CAVITY. INSTALL SCREWS AND WASHERS AS SHOWN. TORQUE TO 10 TO 12 FT LBS. TORQUE ALL FASTENERS ON RACK ITSELF TO 10-12 FT LBS. DO NOT OVER-TORQUE AS THESE ARE STAINLESS STEEL FASTENERS!



GENERIC PICTURE—MAY NOT LOOK LIKE YOUR FASTENER. MOUNTING SCREW WITH WASHERS AND BUTYL TAPE BEFORE INSTALLATION (LEFT) AND WHAT IT SHOULD LOOK LIKE AFTER INSTALLATION (RIGHT).



COMPLETE DROP DOWN COMBO LADDER RACK



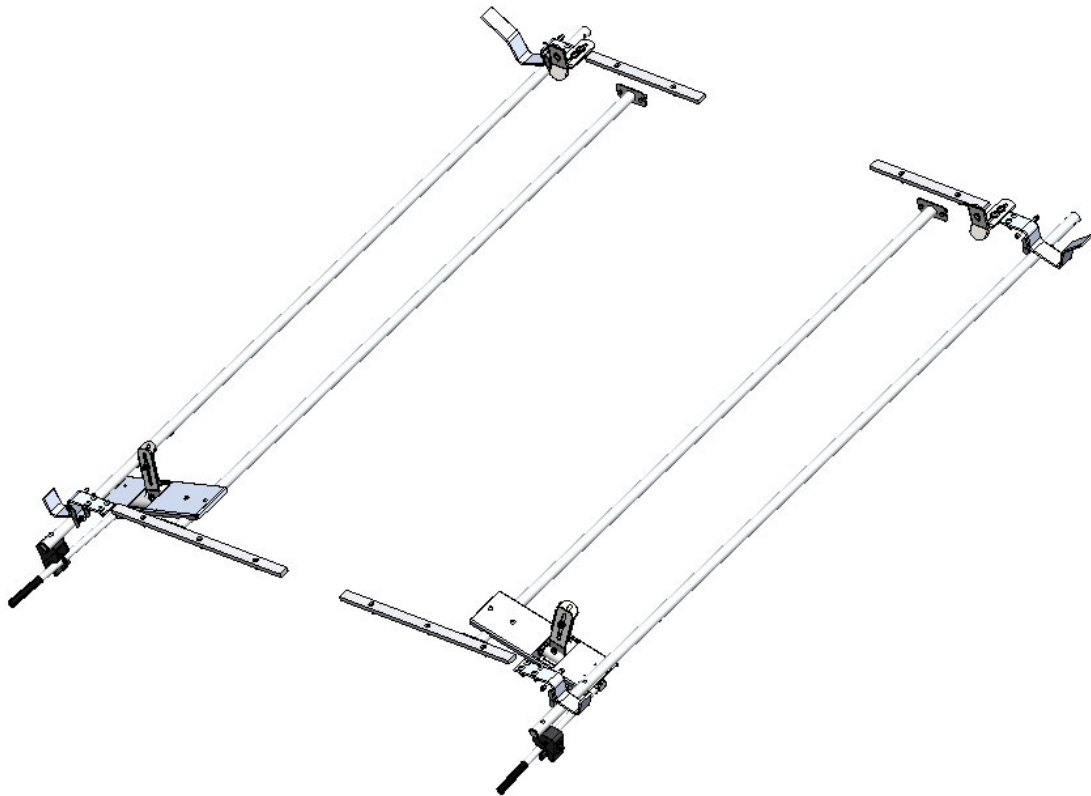
Introduction / Comments:

THIS GRIP LOCK IS DESIGNED TO ADAPT TO YOUR ROOF RAIL AND CROSS BOW KIT. SPECIFICALLY DESIGNED FOR THE LOW ROOF VEHICLES.

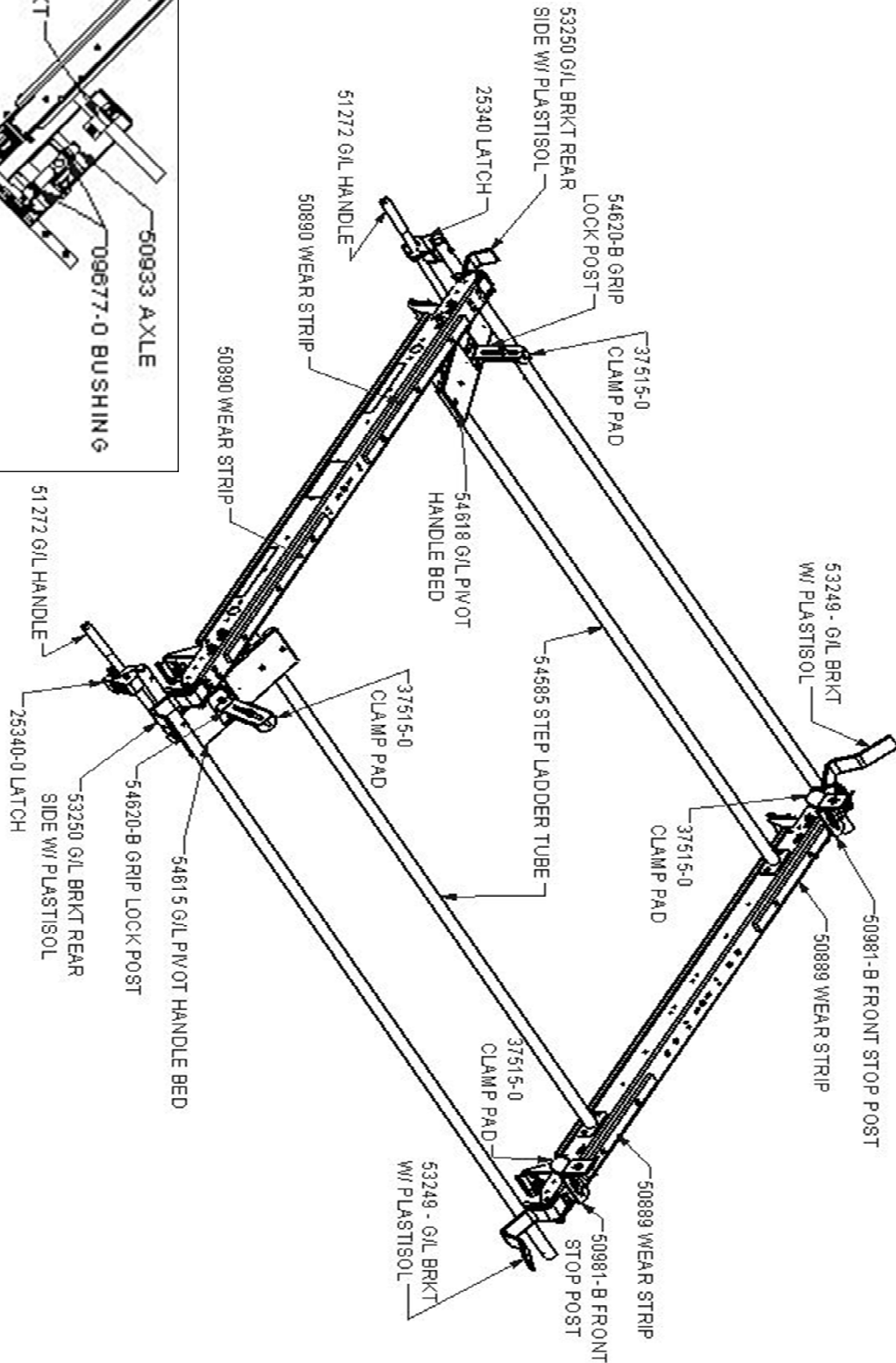
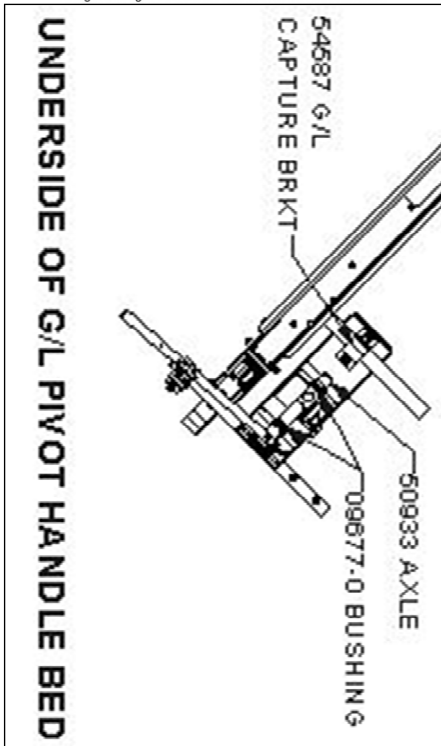
FOR A GM SIDE SLIDER DOOR, PLEASE ORDER A 55075 RISER KIT. THIS IS AVAILABLE UPON REQUEST. THESE FEET RAISE THE GRIP LOCK APPROX 2" AND CLEARS THE SIDE SLIDER DOOR. THIS ALSO COMES WITH A WIND DEFLECTOR AS RAISING THIS RACK CHANGED THE HARMONICS.

Note:

It is advised that all fasteners used in this assembly and installation of this Rack should be checked for tightness at the following intervals: @ 2-weeks and again @ 6-weeks of operation. This preventive maintenance step must be completed to ensure your package gives you long service life.



**61-GL2 SERIES / 63-GL2 SERIES
GRIP LOCK, SINGLE & DOUBLE
VARIOUS LOW ROOF VEHICLES**



- PRECAUTIONS -



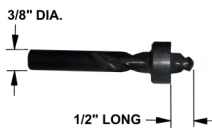
CAUTION
THE USE OF AIR IMPACT TOOLS CAN
OVER-TORQUE FASTENERS AND
CAUSE FASTENER FAILURE!



CAUTION
ALL INSTALLATION HOLES SHOULD BE SEALED
WITH SILICON OR BUTYL SEALANT TO PREVENT
EXHAUST FUMES FROM ENTERING THE VEHICLE!



DANGER
INSPECT FOR FUEL TANK, FUEL LINES, BRAKE LINES, HIGH
VOLTAGE BATTERIES AND ELECTRICAL LINES PRIOR TO
DRILLING TO AVOID DAMAGING CRITICAL VEHICLE SYSTEMS
OR INJURY TO INSTALLER DURING INSTALLATION PROCESS!



CAUTION
TO AVOID DAMAGING THE VEHICLE ALWAYS USE DRILL
STOPS WHEN DRILLING ANY INSTALLATION HOLES!
ADRIAN AVAILABLE PART #'S 31119-0 (3/8" X 1/2"
DEEP), 31121-0 (1/2" x 1/2" DEEP)



- IMPORTANT WARRANTY REQUIREMENTS -

1. SUBSTITUTING ADRIAN STEEL SPECIFIED FASTENERS FOR ASSEMBLY AND/OR INSTALLATION WILL VOID YOUR PRODUCT WARRANTY.
2. ALL HOLES DRILLED INTO VEHICLE SHOULD HAVE THE RAW METAL EDGES SEALED WITH A SELF-ETCHING PRIMER TO RESIST CORROSION AND POTENTIAL FASTENER POINT FAILURE.
3. ALL FASTENERS USED IN THE INSTALLATION OF THIS PRODUCT SHOULD BE TIGHTENED TO THE TORQUE(S) SPECIFIED IN THESE INSTRUCTIONS.
4. THESE INSTRUCTIONS SHOULD BE KEPT WITH THE VEHICLE.

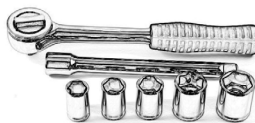
THE BASIC TOOLS NEEDED FOR MOST INSTALLATIONS



DRILL



DRILL BIT WITH
STOP



RATCHET, SOCKETS
AND/OR WRENCHES



SCREWDRIVERS

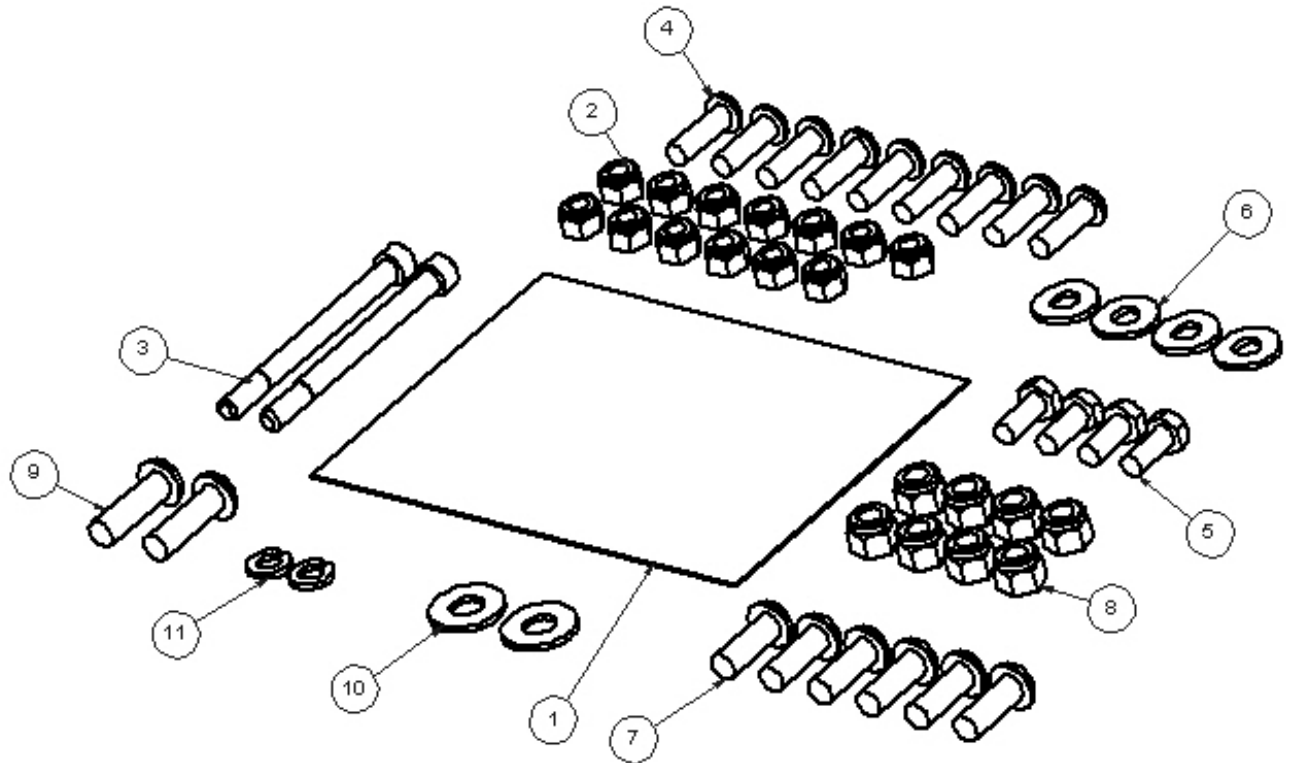


MEASURING TAPE

ADDITIONAL TOOLS MAY BE NEEDED FOR THIS INSTALLATION AND THEY WILL BE IDENTIFIED IN THE STEPS THAT FOLLOW.

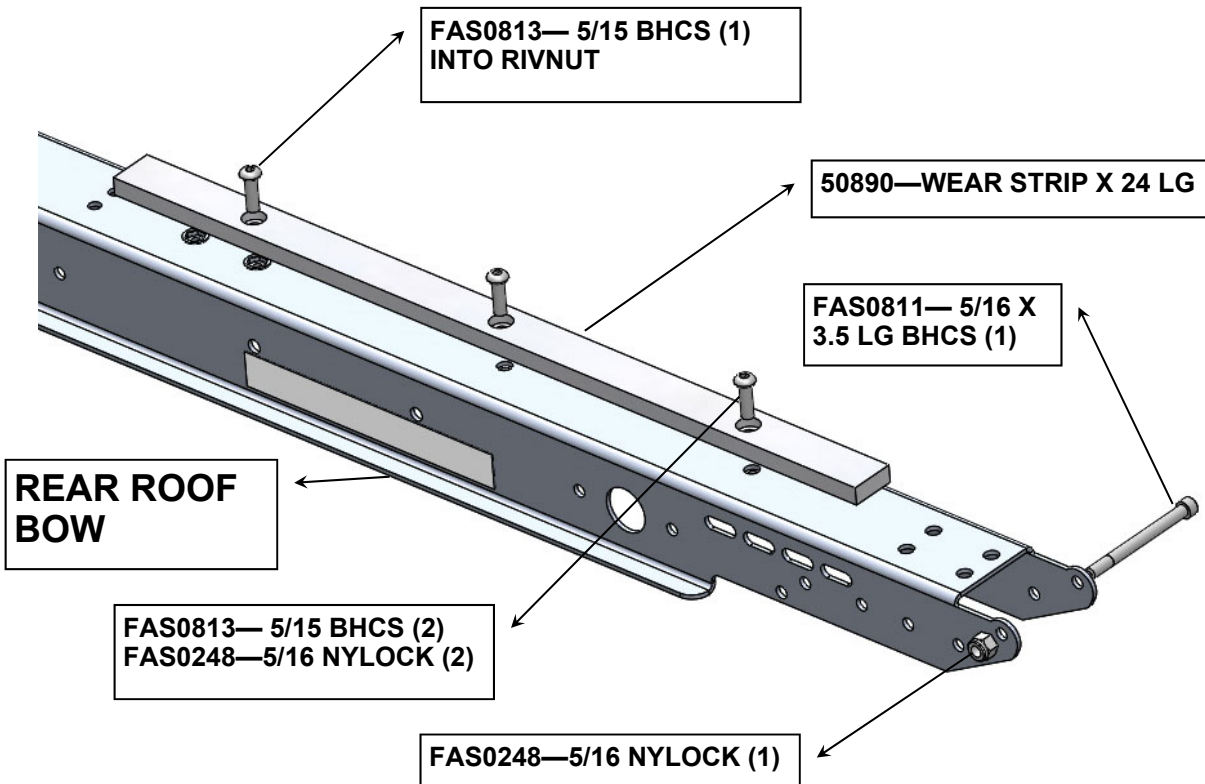
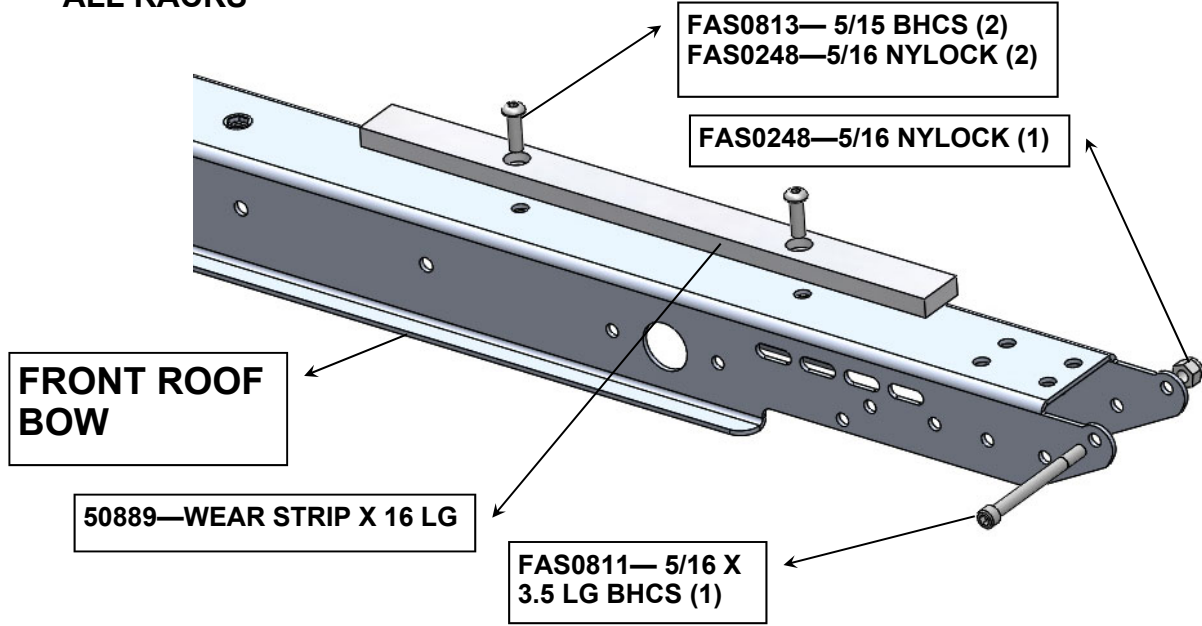
BAG54629 - FASTENER BAG

ITEM NO.	PART NUMBER	DESCRIPTION	QTY.
1	BAG0507-A	5" x 7" 3MIL AUTOBAG	1
2	FAS0248	Nut, Nylon Insert Lock, 5/16-18 SST	13
3	FAS0811	SCREW,CAP, 5/16-18X3.50 SS	2
4	FAS0813	Screw, BHCS, 5/16-18X1.00, SS	9
5	FAS0799	Screw, Hex Hd, 5/16-18x0.75 SS	4
6	FAS0552	Washer, Flat, 5/16, SST	4
7	FAS0820	SCREW,BHCS 3/8-16X1.0 SS	6
8	FAS0110	Nut,Hex Nylk 3/8-16 SS W	8
9	FAS0701	Screw,BHCS 3/8-16x1.25 SS	2
10	FAS 0720	Washer,Flat 3/8 SS	2
11	FAS0588	Washer, Lock, Split, 5/16, SS	2



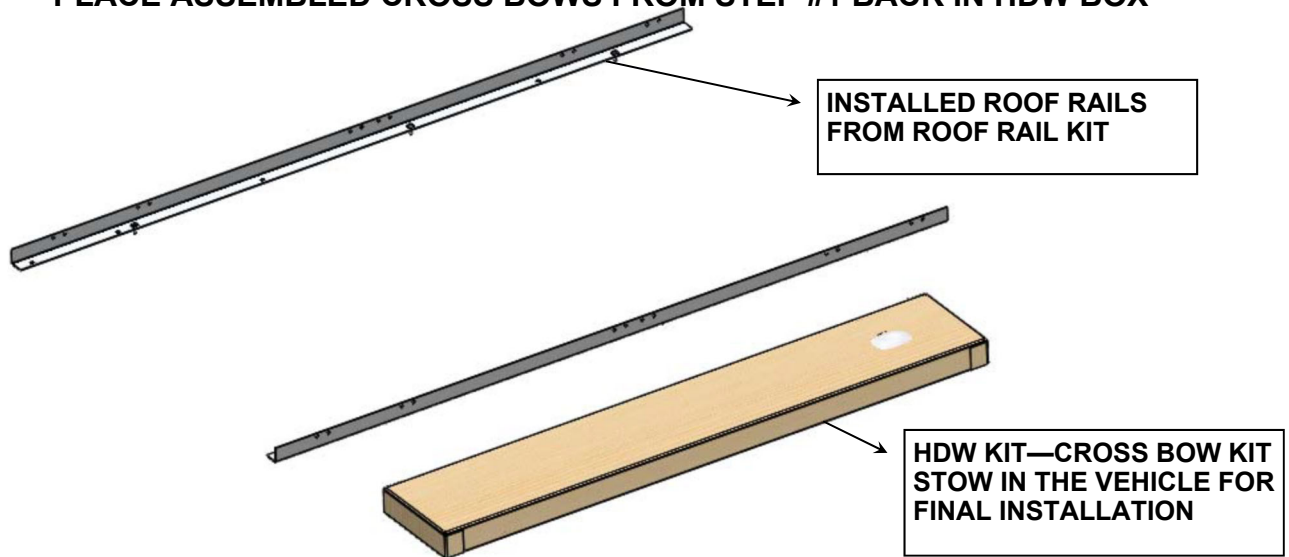


**STEP #1A : ASSEMBLE CURB SIDE WEAR STRIPS TO THE ROOF BOWS
ALL RACKS**

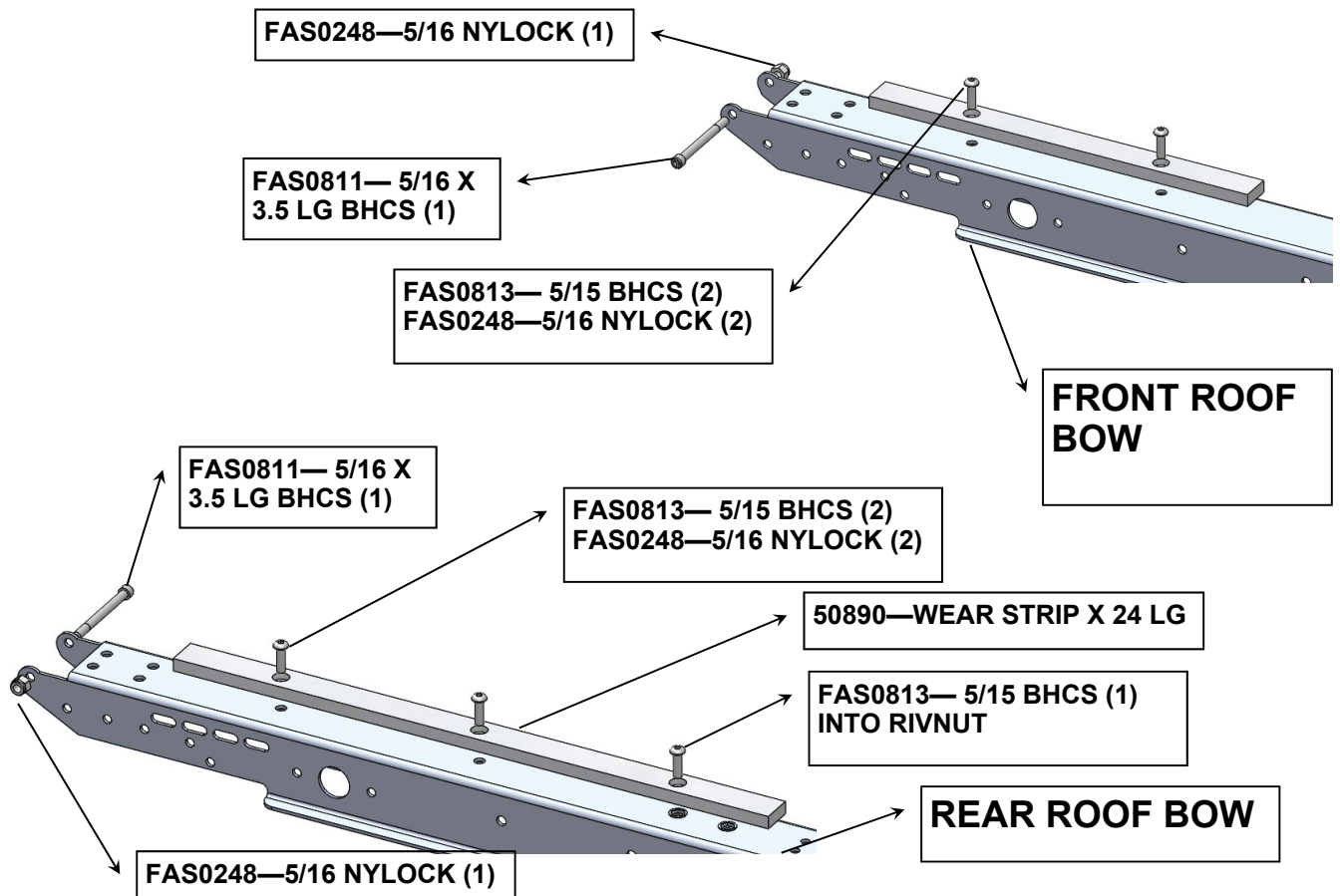




**STEP #1B : THIS IS THE FINISHED CURB SIDE ASSEMBLY FOR A FORD TRANSIT SHIP THRU RACK.
CONTINUE TO STEP #3 FOR A DOUBLE GRIP LOCK (ANOTHER KIT)
PLACE ASSEMBLED CROSS BOWS FROM STEP #1 BACK IN HDW BOX**

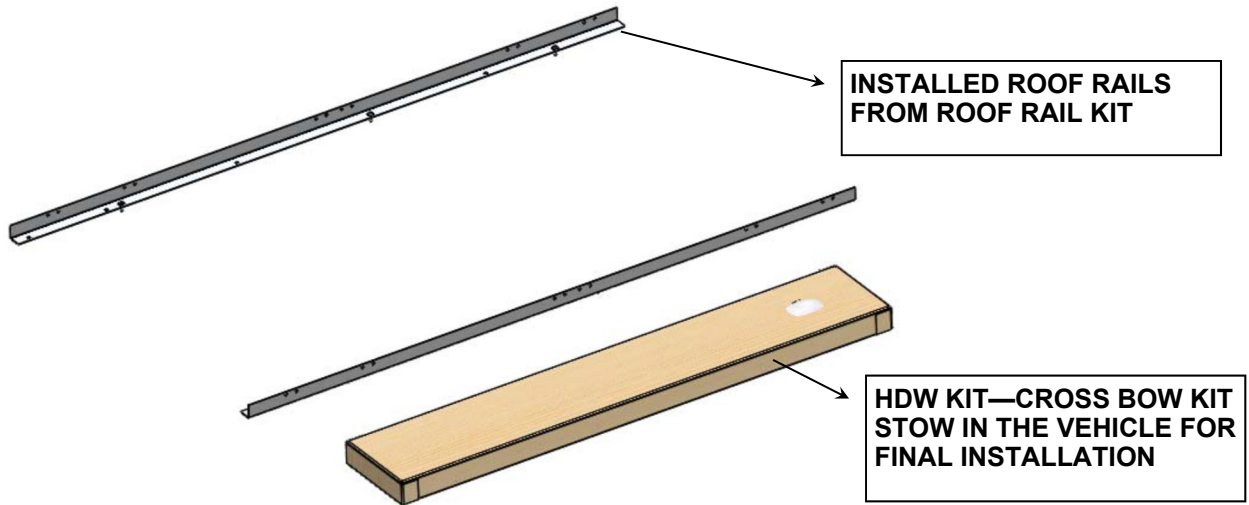


**STEP #2A : ALL RACKS, ASSEMBLE STREET SIDE WEAR STRIPS TO THE ROOF BOWS.
THIS IS ALL THAT CAN BE INSTALLED FOR THE TRANSIT SHIP THRU—
STOW THE REMAINDER OF THE PARTS FOR FINAL INSTALL.**

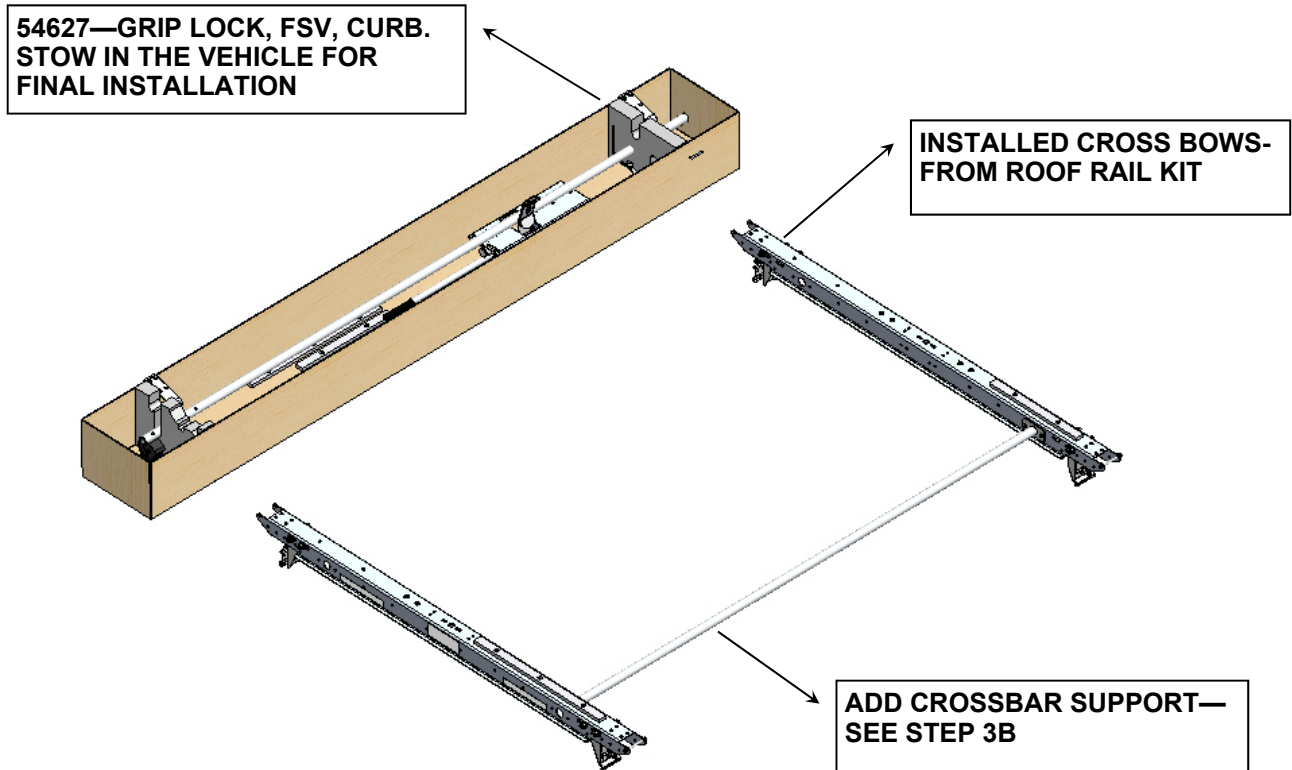




**STEP #2B : FOR A FORD TRANSIT SHIP THRU ONLY—THIS IS THE COMPLETED ASSEMBLY OF A DOUBLE GRIP LOCK.
PLACE ASSEMBLED CROSS BOWS FROM STEP #1 & 3 BACK IN HDW BOX
CONTINUE TO STEP 5 FOR A COMPLETE ASSEMBLY / INSTALL**

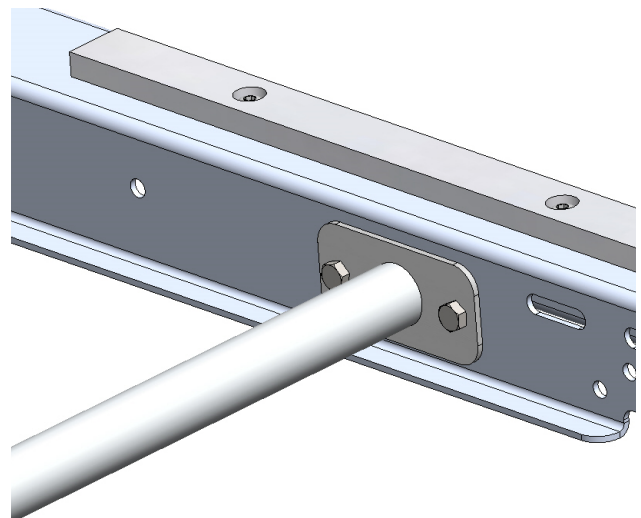
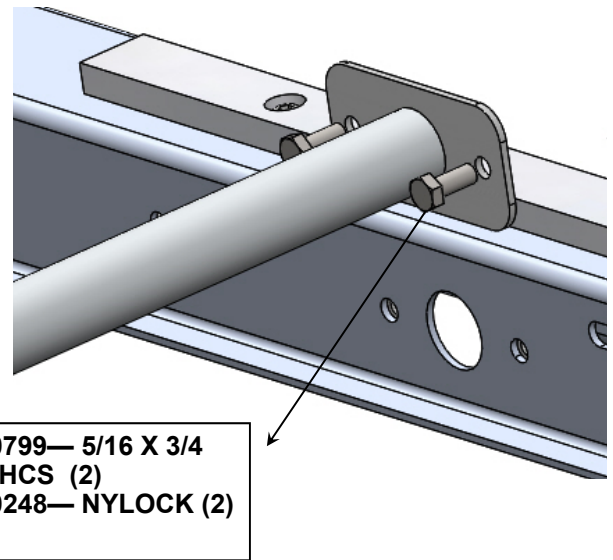
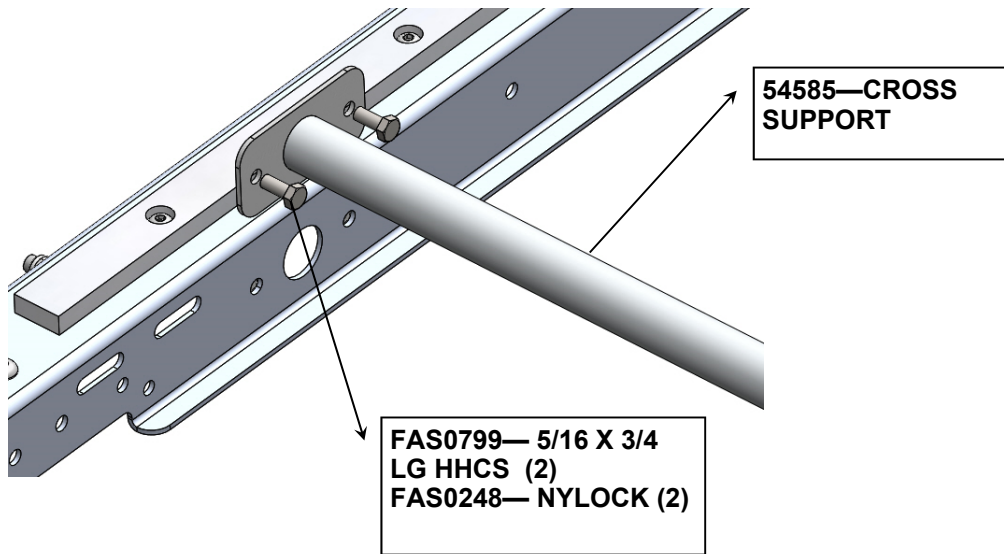


**STEP #3A : GM SHIP THRU ONLY—SINGLE GRIP LOCK
THIS IS THE COMPLETED ASSEMBLY**



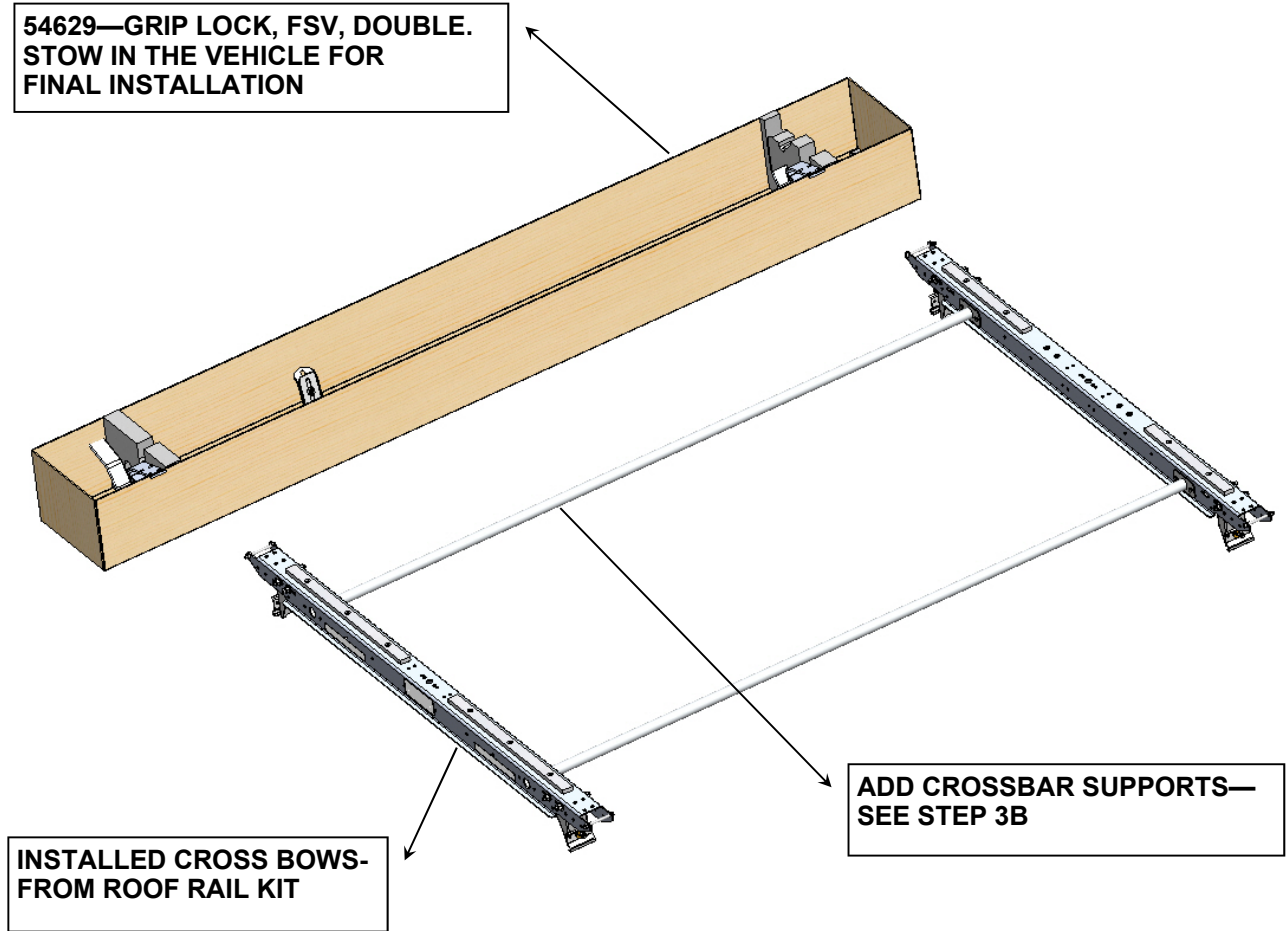


STEP #3B: ADD CROSS SUPPORT FOR SLIDE BED

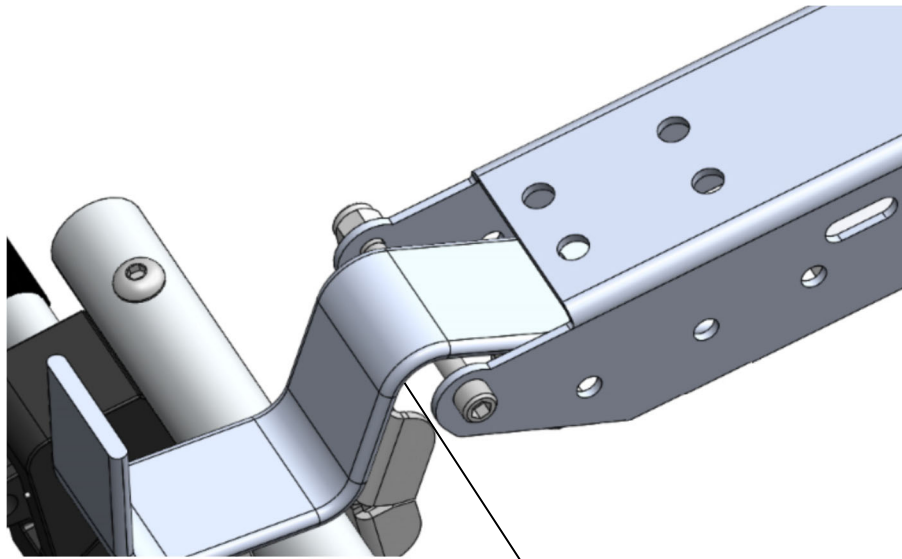




**STEP #4A : GM SHIP THRU ONLY—DOUBLE GRIP LOCK
THIS IS THE COMPLETED ASSEMBLY**



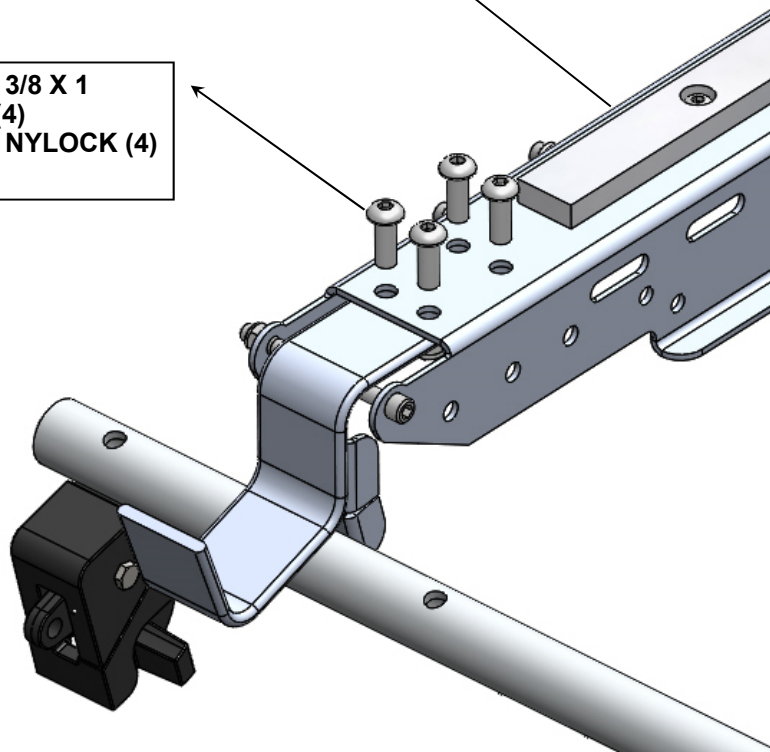
STEP #5 : INSTALL CURB SIDE SUB ASSEMBLY ON THE ROOF BOWS



**PIVOT AND PUT
GRIP LOCK HOOKS
INTO ROOF BOWS**

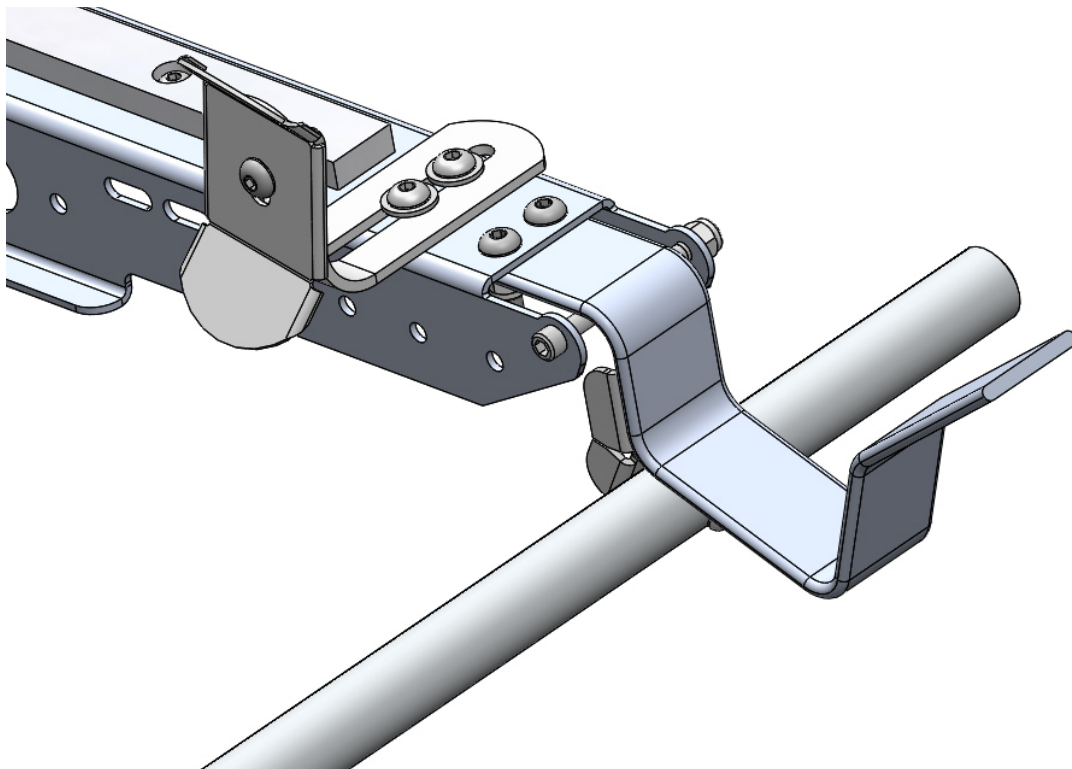
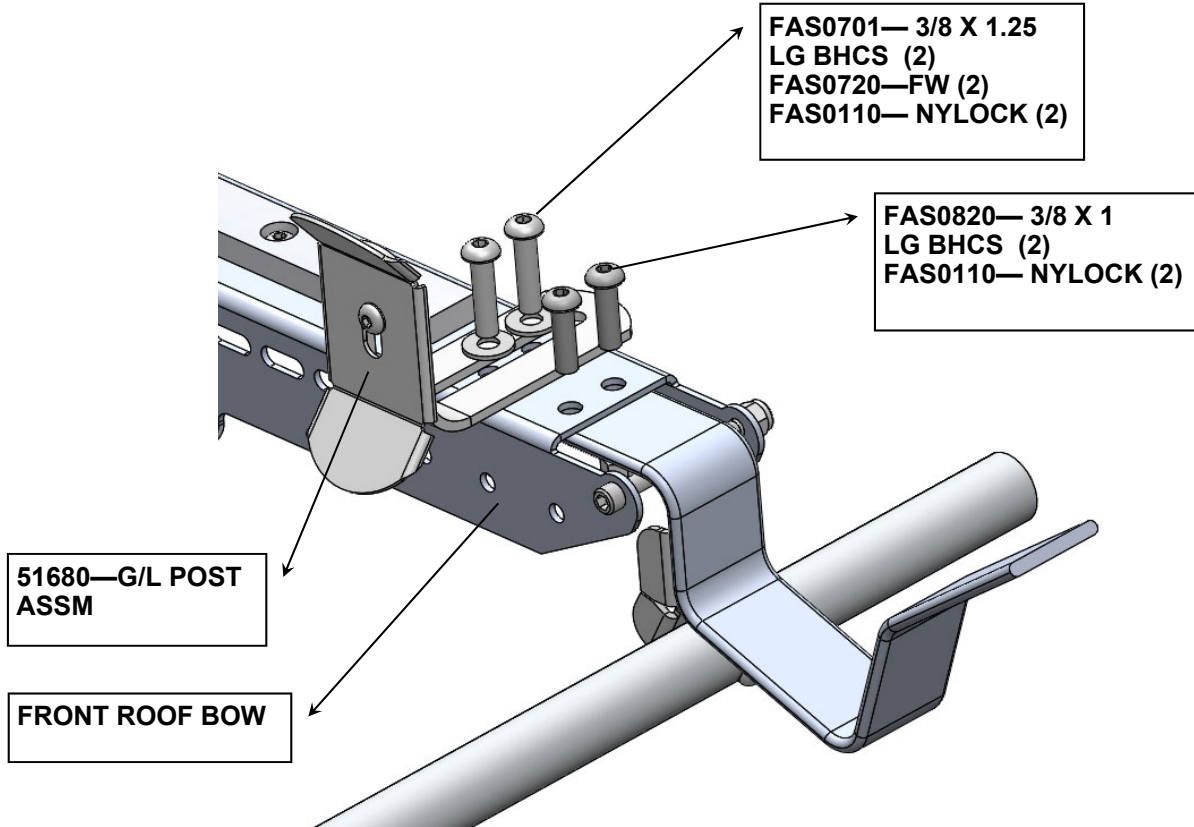
REAR ROOF BOW

**FAS0820— 3/8 X 1
LG BHCS (4)
FAS0110— NYLOCK (4)**



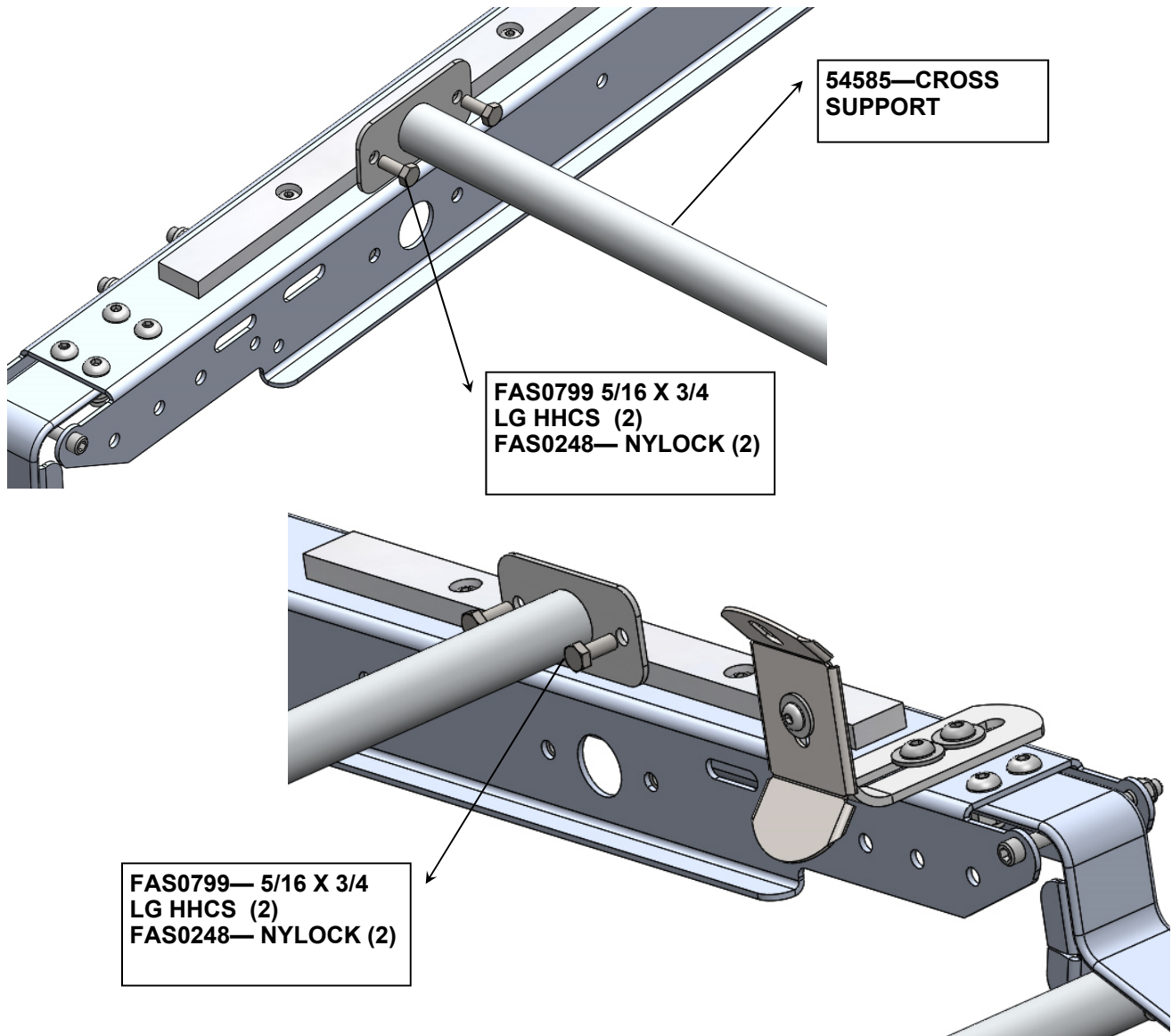


STEP #6: FRONT ROOF BOW ASSEMBLY –CURB SIDE

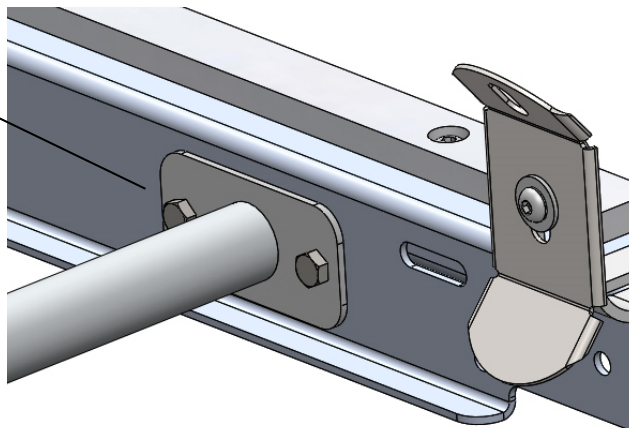




STEP #6: ADD CROSS SUPPORT FOR SLIDE BED –CURB SIDE

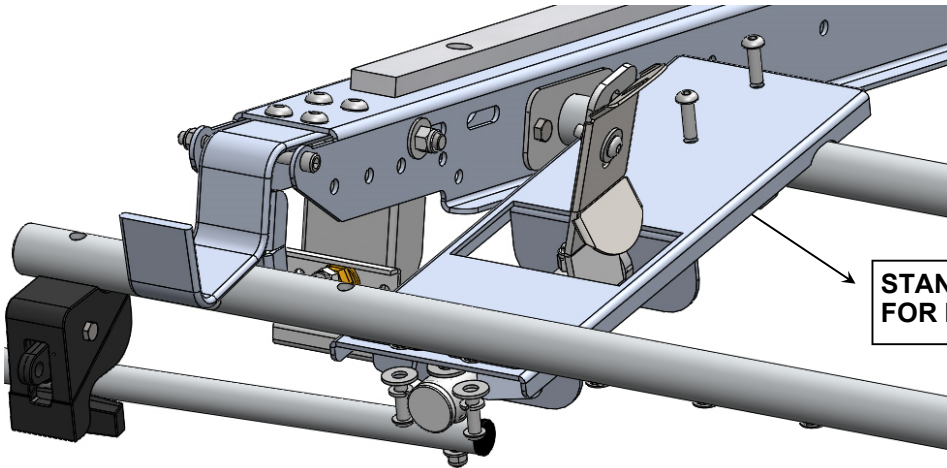


INSTALLED VIEW

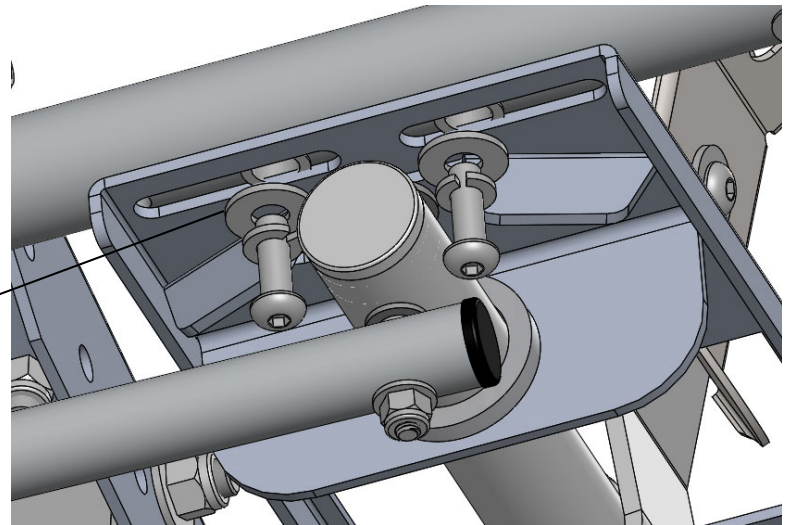




STEP #7A: EXTENSION LADDER—ADD BED SLIDE TO THE CROSS SUPPORT – CURB SIDE.

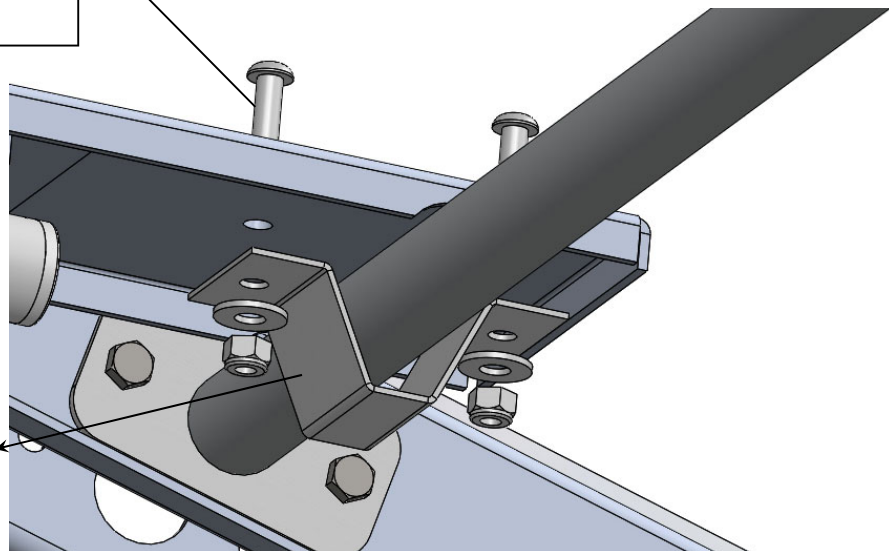


STANDARD LOCATION FOR EXTENSION LADDERS



**FAS0813— 5/16 X1 LG BHCS (2)
FAS0588-LW (2)
FAS0552— FW (2)**

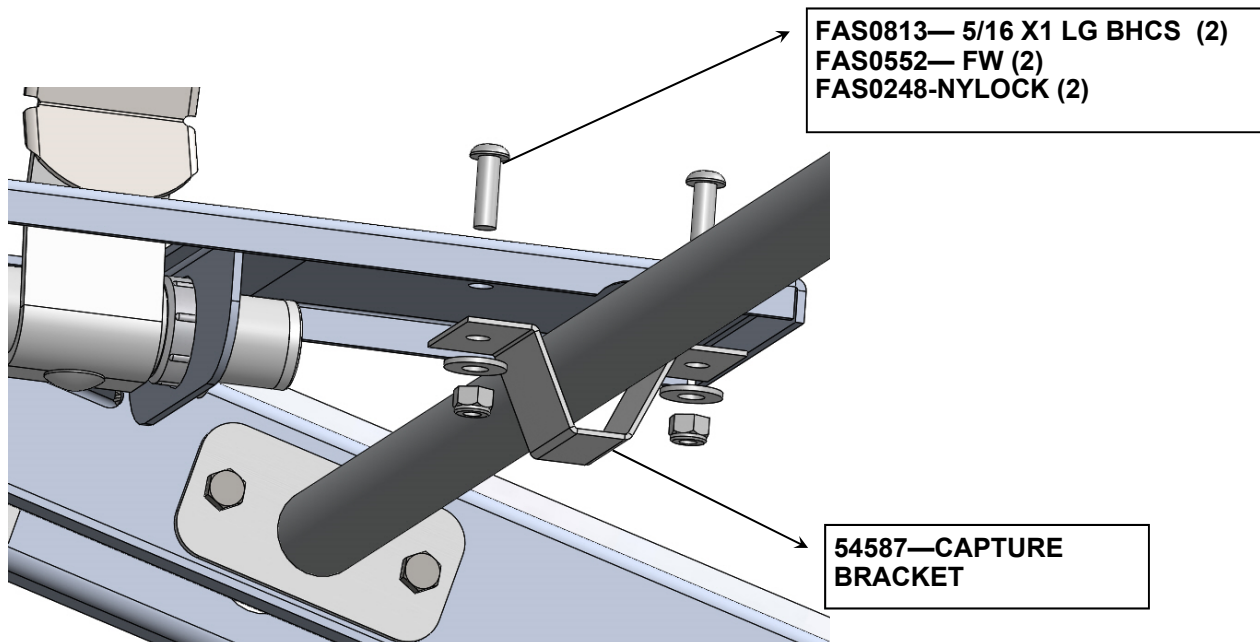
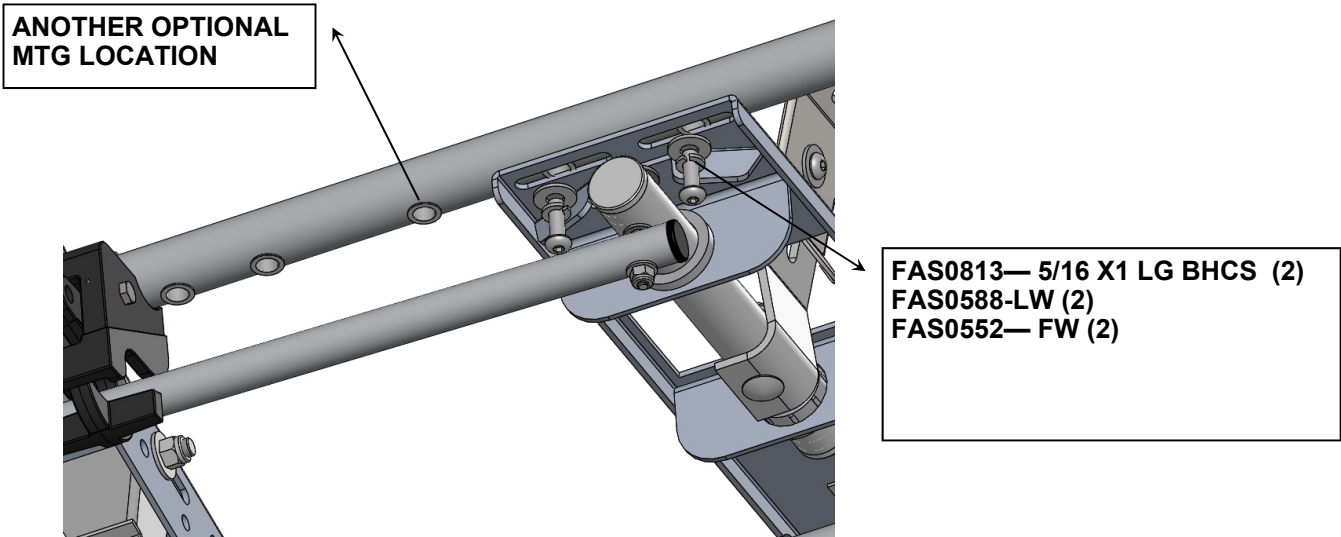
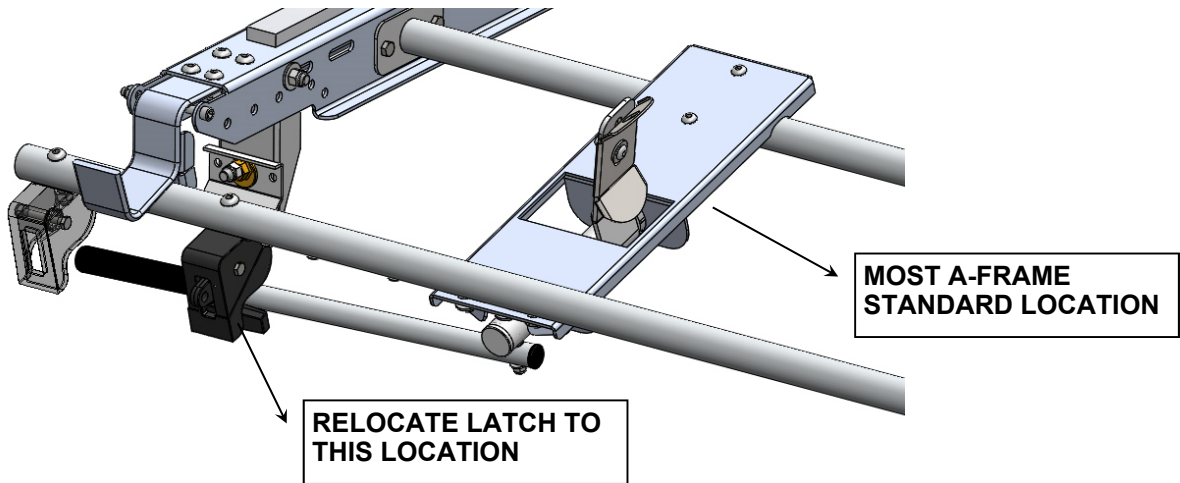
**FAS0813— 5/16 X1 LG BHCS (2)
FAS0552— FW (2)
FAS0248-NYLOCK (2)**



54587—CAPTURE BRACKET

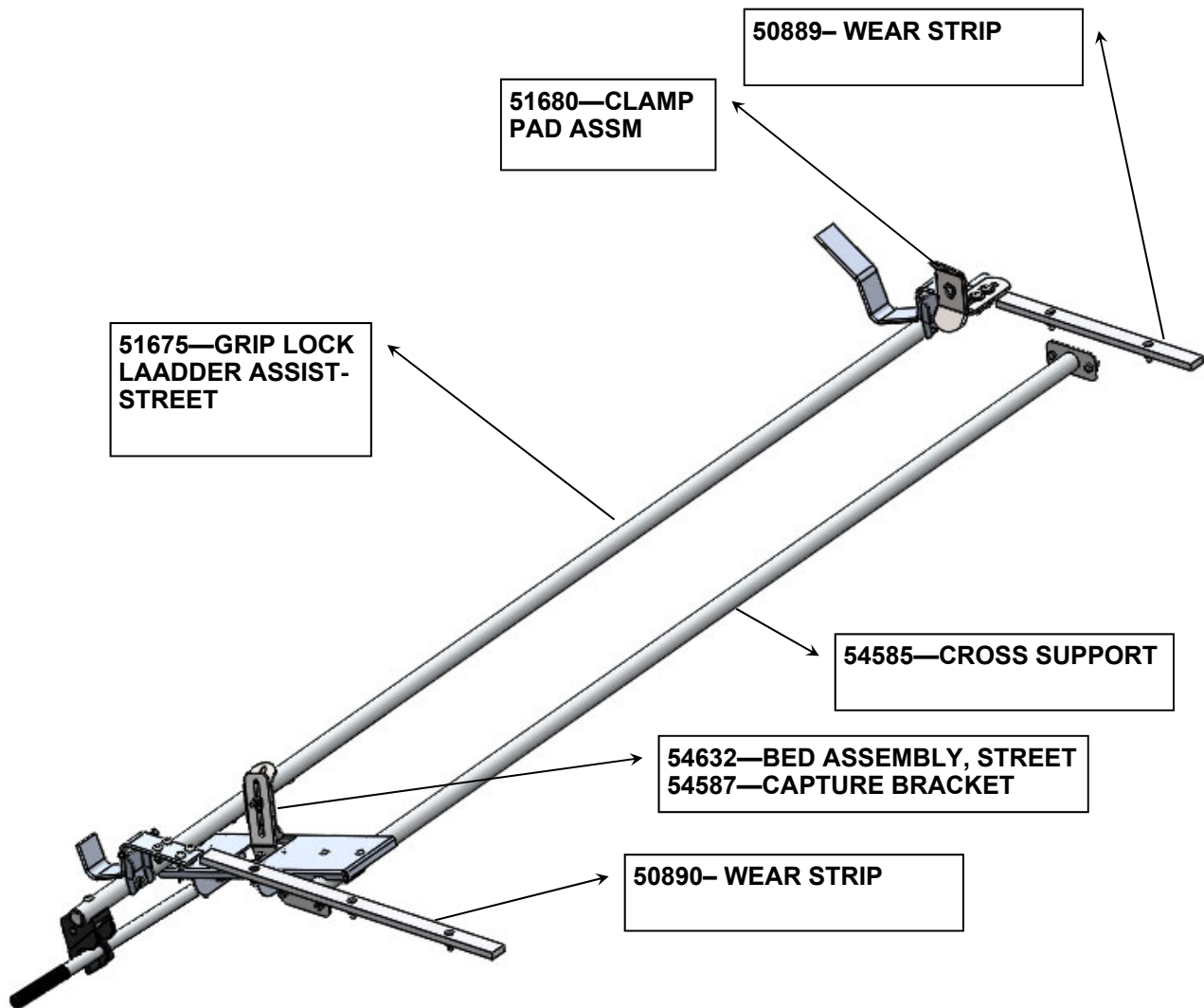


**STEP #7B: A-FRAME LADDER— ADD BED SLIDE TO THE CROSS SUPPORT
—CURB SIDE.**





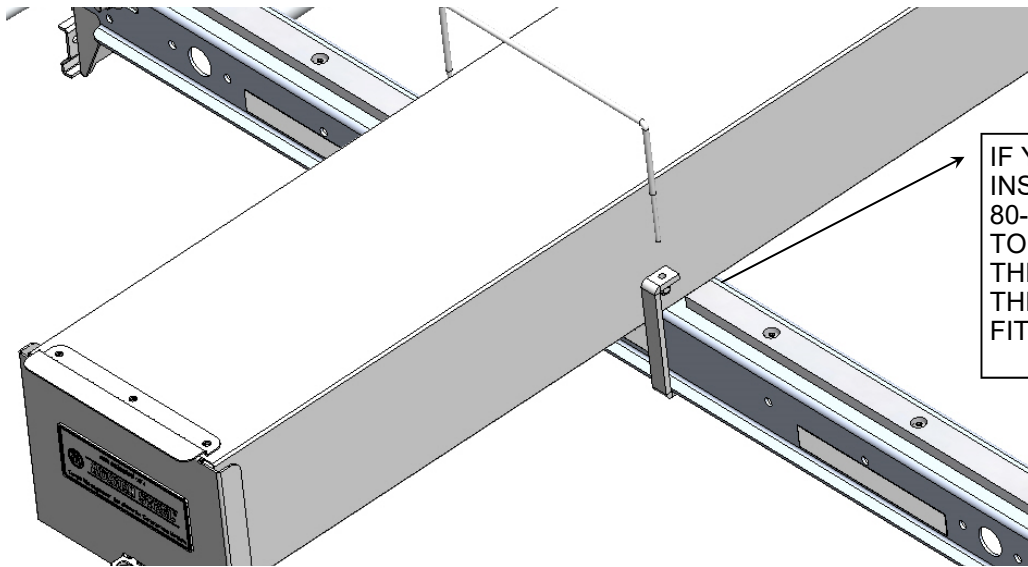
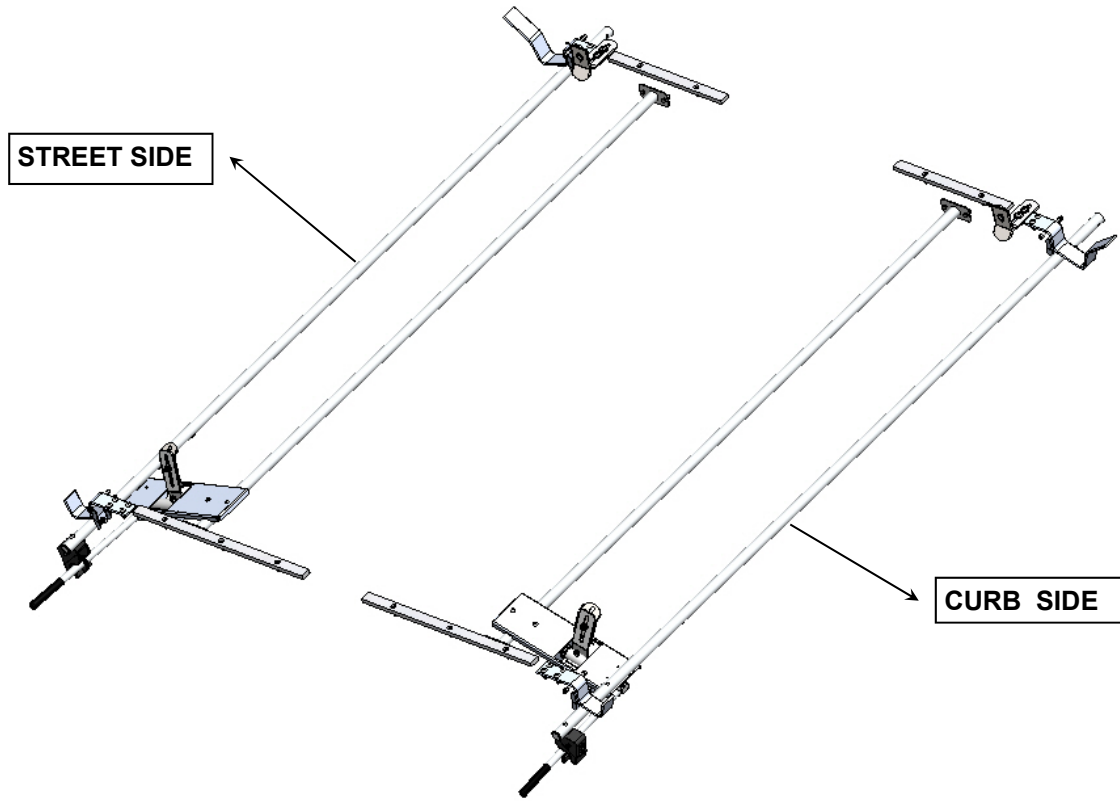
STEP #8: FOLLOW STEPS 1 THRU 7 FOR YOU STREET SIDE ASSEMBLY



**DOUBLE CHECK ALL FASTENERS LOCATIONS TO BE SURE THAT ALL FASTENERS ARE TIGHTENED TO SPECIFICATIONS.
YOUR INSTALLATION IS NOW COMPLETE!
STOW THIS COPY IN THE VEHICLE FOR FUTURE REFERENCES!**



STEP #9: YOUR ASSEMBLY IS NOW COMPLETE



**DOUBLE CHECK ALL FASTENERS LOCATIONS TO BE SURE THAT ALL FASTENERS ARE TIGHTENED TO SPECIFICATIONS.
YOUR INSTALLATION IS NOW COMPLETE!
STOW THIS COPY IN THE VEHICLE FOR FUTURE REFERENCES!**



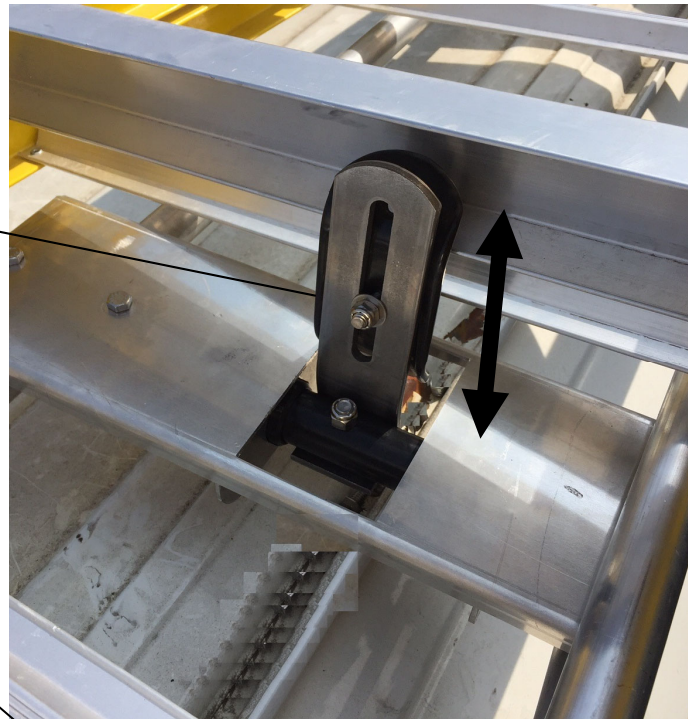
STEP #10A: HOW TO ADJUST THE CLAMP PADS



FRONT BRACKET

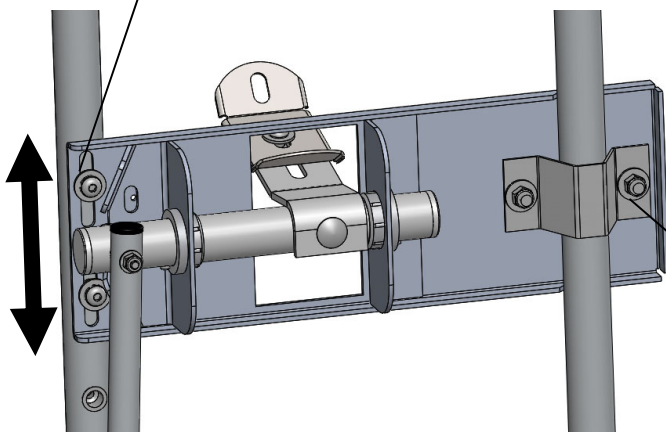
ADJUST VERTICALLY TO YOUR LADDER

ALL OF THE HORIZONTAL ADJUSTMENT IS IN THIS BRACKET.



ADJUST VERTICALLY TO YOUR LADDER. SHOWING A STEP LADDER

SLOTS FOR ADJUSTMENT



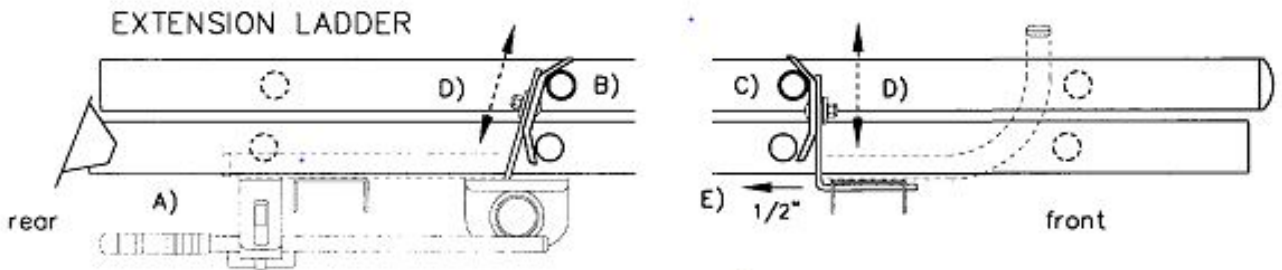
LOOSEN FASTENERS TO ADJUST CLAMP

**DOUBLE CHECK ALL FASTENERS LOCATIONS TO BE SURE THAT ALL FASTENERS ARE TIGHTENED TO SPECIFICATIONS.
YOUR INSTALLATION IS NOW COMPLETE!
STOW THIS COPY IN THE VEHICLE FOR FUTURE REFERENCES!**



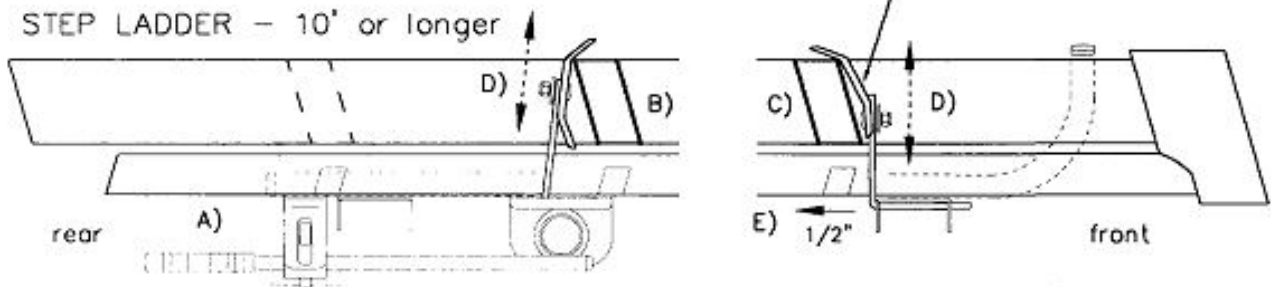
STEP #10B : HOW TO ADJUST THE CLAMP PADS

- A) Load your ladder onto the ladder rack (see page 14) and latch the HANDLE BAR into the HANDLE LATCH.
- B) Now slide the ladder back towards the rear of the vehicle and slide the rear CLAMP BRACKET to fit snug over and against the top ladder rung. ** See bottom illustration for STEP LADDERS ! **
SEE ILLUSTRATION BELOW.
- C) Next slide the FRONT STOP POST at the front of the ladder rack back towards the rear of the vehicle and fit the front CLAMP BRACKET to the top ladder rung the same as the rear.
- D) Firmly tighten both front and rear CLAMP BRACKETS to their posts and tighten snug the FRONT STOP POST to the front CROSS SUPPORT.
- E) Now unlatch the HANDLE BAR and unload your ladder. Next loosen the FRONT STOP POST and slide it out towards the rear of the vehicle 1/2" and FIRMLY RETIGHTEN !
YOUR LADDER RACK SHOULD NOW BE ADJUSTED FOR YOUR LADDER.



CAUTION: Never clamp up the first step and the head of the STEP LADDER !

Front CLAMP BRACKET must be attached like this !



**DOUBLE CHECK ALL FASTENERS LOCATIONS TO BE SURE THAT ALL FASTENERS ARE TIGHTENED TO SPECIFICATIONS.
YOUR INSTALLATION IS NOW COMPLETE!
STOW THIS COPY IN THE VEHICLE FOR FUTURE REFERENCES!**