



PRODUCT WEIGHT

**40 LBS.**

WIDTH x DEPTH x HEIGHT

**59" x 76.5" x 10"**

CAPACITY

**24' EXTENSION  
LADDERS OR 175 LBS  
ON CARGO VAN, 120  
LBS ON PASS VAN.**

COLOR

**ALUMINUM & BLACK**

CATALOG NUMBER

**63-TCS19**

**PRODUCT FEATURES**

**DOUBLE GRIP-LOCK LADDER RACK FOR THE 2014 AND NEWER SHORT WHEELBASE FORD TRANSIT CONNECT. WORKS WITH THE 2019 TC SHARK FIN. LIGHTWEIGHT, ALUMINUM CONSTRUCTION, STAINLESS STEEL FASTENERS, SOFT COMPOSITE SURFACES TO PROTECT LADDERS FROM ABRASION. NOT RECOMMENDED TO CARRY LONG LADDERS ON REAR HATCH VERSION AS HATCH WILL HIT LADDER WHEN OPENED. BIAS LADDER FORWARD TO CLEAR HATCH. DUAL REAR CARGO DOORS ARE BEST FOR CARRYING LONG LADDERS. NOT FOR USE ON PANORAMIC ROOF.**

**SEE PAGE 2 FOR APPLICATION NOTES AND ACCESSORIES, OTHER PRODUCTS THAT WORK WITH THIS UNIT.**

**PAGE 1 of 2**

The information contained in this document is the sole property of ADRIAN STEEL COMPANY. ADRIAN STEEL COMPANY retains the right to modify and/or change the product of its design at any time without prior notification.



**CATALOG NUMBER 63-TCS19**

***PRODUCT APPLICATION***

**THIS PRODUCT IS DESIGNED FOR THE 2014 AND NEWER SHORT WHEELBASE FORD TRANSIT CONNECT.**

***ACCESSORIES THAT WILL WORK WITH THIS PRODUCT***

<b><i>CATALOG NUMBER</i></b>	<b><i>DESCRIPTION</i></b>
<b>1BTCGL14</b>	<b>ONE BAR ADD-ON KIT FOR CARRYING SHORT STEP LADDERS</b>

***SPECIAL APPLICATION NOTES***

**Additional accessories may be compatible with this product. Please consult with ADRIAN STEEL ENGINEERING to review specific applications not listed here.**



### Introduction / Comments:

THIS LADDER RACK IS DESIGNED TO MOUNT TO THE FACTORY ATTACHMENT POINTS. REMOVE PLASTIC PLUGS TO INSTALL NEW RACK.

THIS RACK IS DESIGNED FOR AND RATED TO CARRY UP TO 24' EXTENSION LADDERS OR 175 LBS FOR CARGO VAN, 120 LBS FOR PASS VAN, EVENLY DISTRIBUTED ON THE RACK. BE SURE ANY LOAD OR LADDER IS PROPERLY SECURED TO THE RACK PRIOR TO MOVING VEHICLE. **IT IS NOT RECCOMMENDED TO CARRY LONG LADDERS ON THE REAR HATCH VERSION AS THE HATCH WILL HIT THE LADDER WHEN OPENED. DUAL REAR CARGO DOORS ARE BEST IF CARRYING LONG LADDERS. BIAS LADDER FORWARD TO CLEAR HATCH.**

NOT FOR USE ON PANORAMIC ROOF OR WITH SUNROOFS.

**NOTE : THIS RACK UTILIZES SPECIFIC STREET AND CURB SIDE ROOF RAIL ASSEMBLIES!!!**

**Note:**

It is advised that all fasteners used in this assembly and installation of this Rack should be checked for tightness at the following intervals: @ 2-weeks and again @ 6-weeks of operation. This preventive maintenance step must be completed to ensure your package gives you long service life.



## **63-TCL19 & 63-TCS19 DOUBLE GRIP-LOCK LADDER RACKS FOR 2014 AND NEWER FORD TRANSIT CONNECT VANS**



## - PRECAUTIONS -



**CAUTION**  
THE USE OF AIR IMPACT TOOLS CAN  
OVER-TORQUE FASTENERS AND  
CAUSE FASTENER FAILURE!



**CAUTION**  
ALL INSTALLATION HOLES SHOULD BE SEALED  
WITH SILICON OR BUTYL SEALANT TO PREVENT  
EXHAUST FUMES FROM ENTERING THE VEHICLE!



**DANGER**  
INSPECT FOR FUEL TANK, FUEL LINES, BRAKE LINES, HIGH  
VOLTAGE BATTERIES AND ELECTRICAL LINES PRIOR TO  
DRILLING TO AVOID DAMAGING CRITICAL VEHICLE SYSTEMS  
OR INJURY TO INSTALLER DURING INSTALLATION PROCESS!



**CAUTION**  
TO AVOID DAMAGING THE VEHICLE ALWAYS  
USE DRILL STOPS WHEN DRILLING ANY IN-  
STALLATION HOLES!



## - IMPORTANT WARRANTY REQUIREMENTS -

1. SUBSTITUTING ADRIAN STEEL SPECIFIED FASTENERS FOR ASSEMBLY AND/OR INSTALLATION WILL VOID YOUR PRODUCT WARRANTY.
2. ALL HOLES DRILLED INTO VEHICLE SHOULD HAVE THE RAW METAL EDGES SEALED WITH A SELF-ETCHING PRIMER TO RESIST CORROSION AND POTENTIAL FASTENER POINT FAILURE.
3. ALL FASTENERS USED IN THE INSTALLATION OF THIS PRODUCT SHOULD BE TIGHTENED TO THE TORQUE(S) SPECIFIED IN THESE INSTRUCTIONS.
4. THESE INSTRUCTIONS SHOULD BE KEPT WITH THE VEHICLE.

### THE BASIC TOOLS NEEDED FOR MOST INSTALLATIONS



DRILL



DRILL BIT WITH  
STOP



RATCHET, SOCKETS  
AND/OR WRENCHES



SCREWDRIVERS



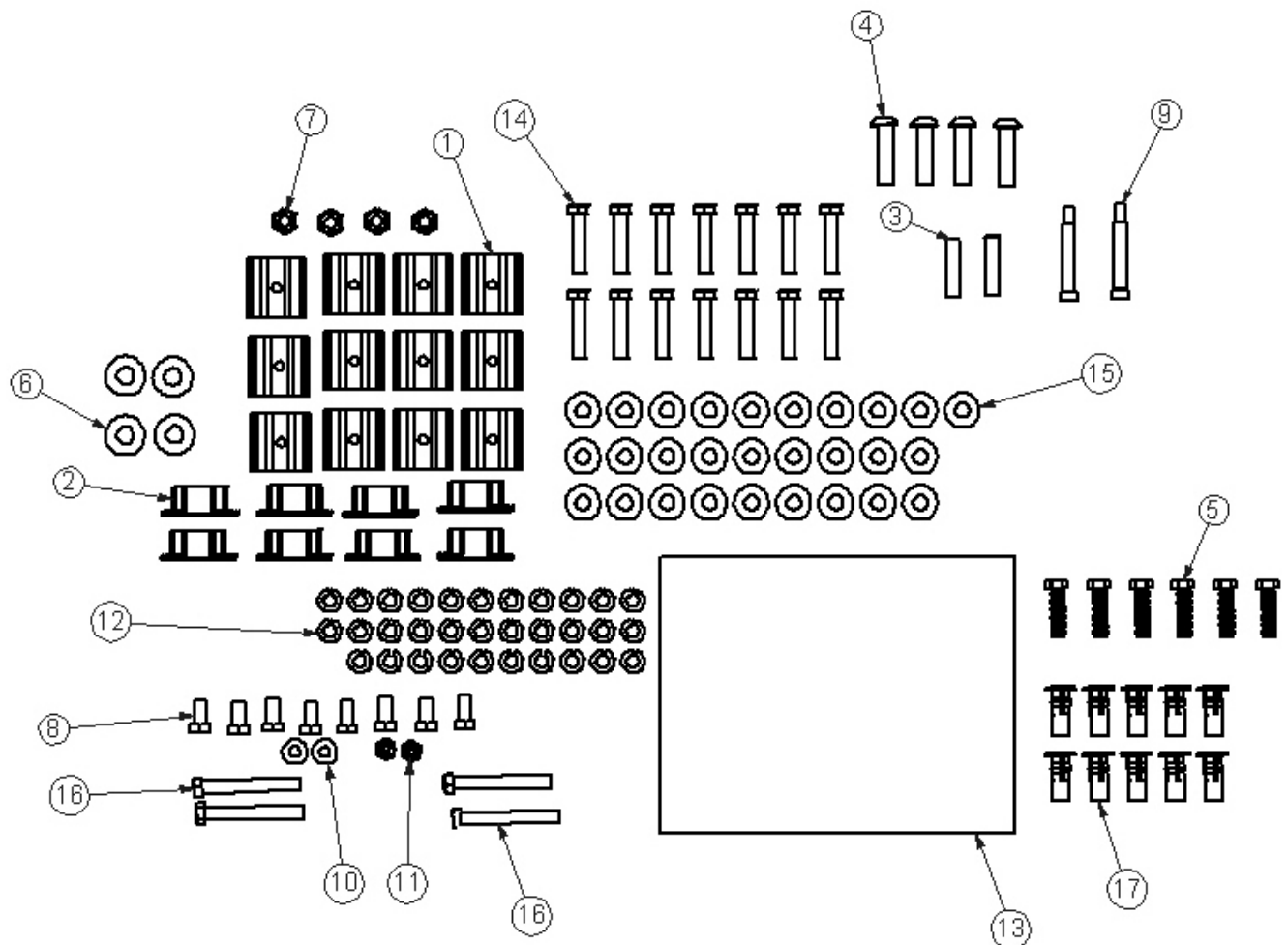
MEASURING TAPE

ADDITIONAL TOOLS MAY BE NEEDED FOR THIS INSTALLATION AND THEY WILL BE IDENTIFIED IN THE STEPS THAT FOLLOW.



**BAG63TC14**  
**FASTENER BAG FOR 63-TCL14 & 63-TCS14 LADDER RACKS**

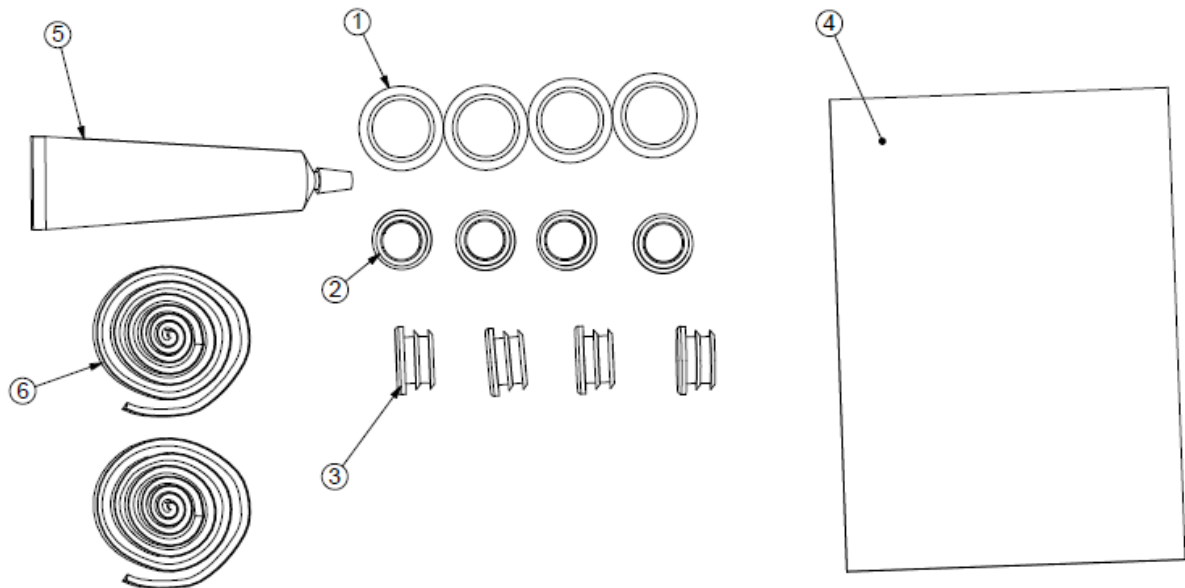
ITEM NO.	PART NUMBER	DESCRIPTION	BAG63TC14/QTY.
1	35335-0	SLIDE	12
2	36496-0	END CAP	8
3	FAS0698	PIN, SPRING .312X1.50 SS	2
4	FAS0577	Screw, Button Hd Hex Soc, 3/8-16x1.50 NI-ZN	4
5	FAS0830	Screw, Hex Hd, 5/16-18 X 1.25 SS	6
6	FAS 0720	Washer, Flat 3/8 SS	4
7	FAS0110	Nut, Hex Nylk 3/8-16 SS W	4
8	FAS0717	Screw, Hex Hd, 5/16-18x.625 SST	8
9	FAS0740	Shoulder Bolt,	2
10	FAS0234	Washer, Flat, 1/4, SST	2
11	FAS0125	Nut, Nylon Insert Lock, 1/4-20 SST	2
12	FAS0588	Washer, Lock, Split, 5/16, SS	32
13	BAG0709-A	7" x 9" 3MIL AUTOBAG	1
14	FAS0242	Screw, Hex Hd, 5/16-18x1.50 Stainless Steel	14
15	FAS0552	Washer, Flat, 5/16, SST	28
16	FAS0243	Screw, Hex Hd, 5/16-18x2.50 Stainless Steel	4
17	FAS0091	Plusnut, 5/16	10





BAG45260 ACCESSORY BAG FOR 63-TCL14 & 63-TCS14

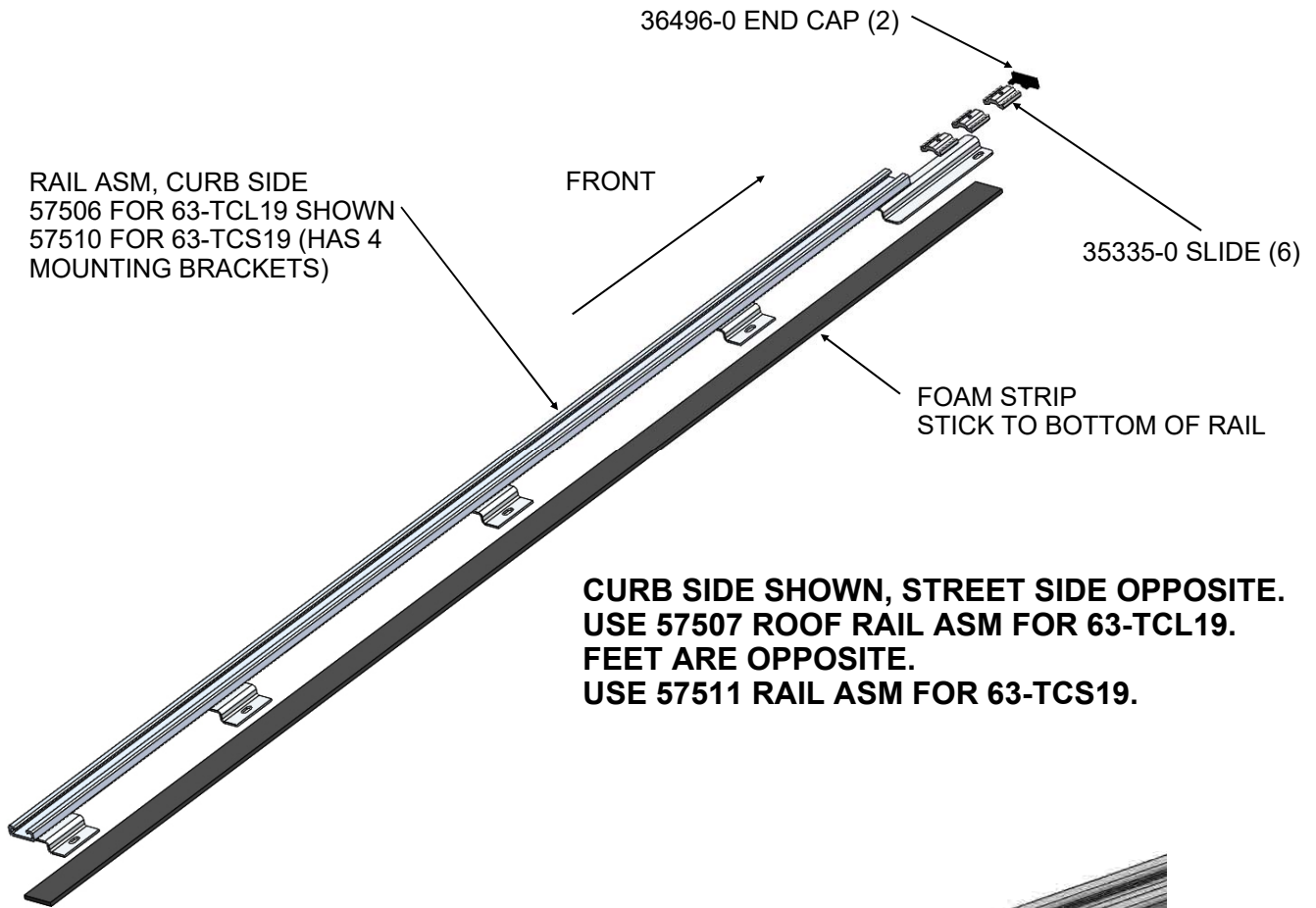
ITEM NO.	PART NUMBER	DESCRIPTION	BAG45260/QTY.
1	38846-B	BUSHING, G/L, TC	4
2	37517-0	End Cap, Black	4
3	51363	CAP PLUG, RND, BLK, 1 DIA	4
4	BAG0507-A	5" x 7" 3MIL AUTOBAG	1
5	26618-0	Silicone Sealant	1
6	05586-0	Butyl Tape, T224 -1/2"X 1' Roll	2



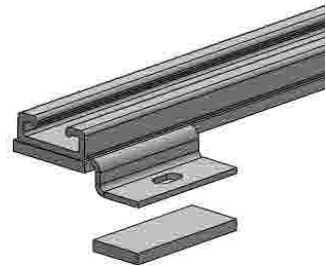


**STEP #01: ASSEMBLE ROOF RAILS. NOTE DIFFERENCES BETWEEN STREET AND CURB SIDE ROOF RAILS!!**

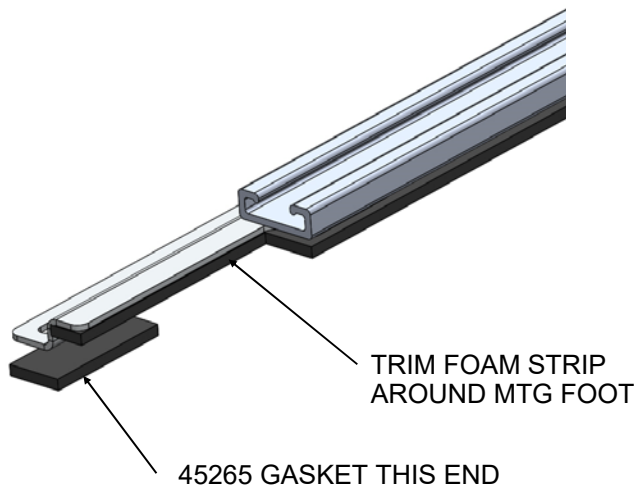
**INSERT (6) 35335-0 SLIDES INTO EACH ROOF RAIL AND (1) 36496-0 END CAP INTO EACH END (4 TOTAL). PEEL AND STICK FOAM STRIP TO BOTTOM OF EACH RAIL.**



**CURB SIDE SHOWN, STREET SIDE OPPOSITE.  
USE 57507 ROOF RAIL ASM FOR 63-TCL19.  
FEET ARE OPPOSITE.  
USE 57511 RAIL ASM FOR 63-TCS19.**



45265 FOOT GASKET  
TYPICAL AT EACH  
MOUNTING FOOT EXCEPT  
THE END GUSSET



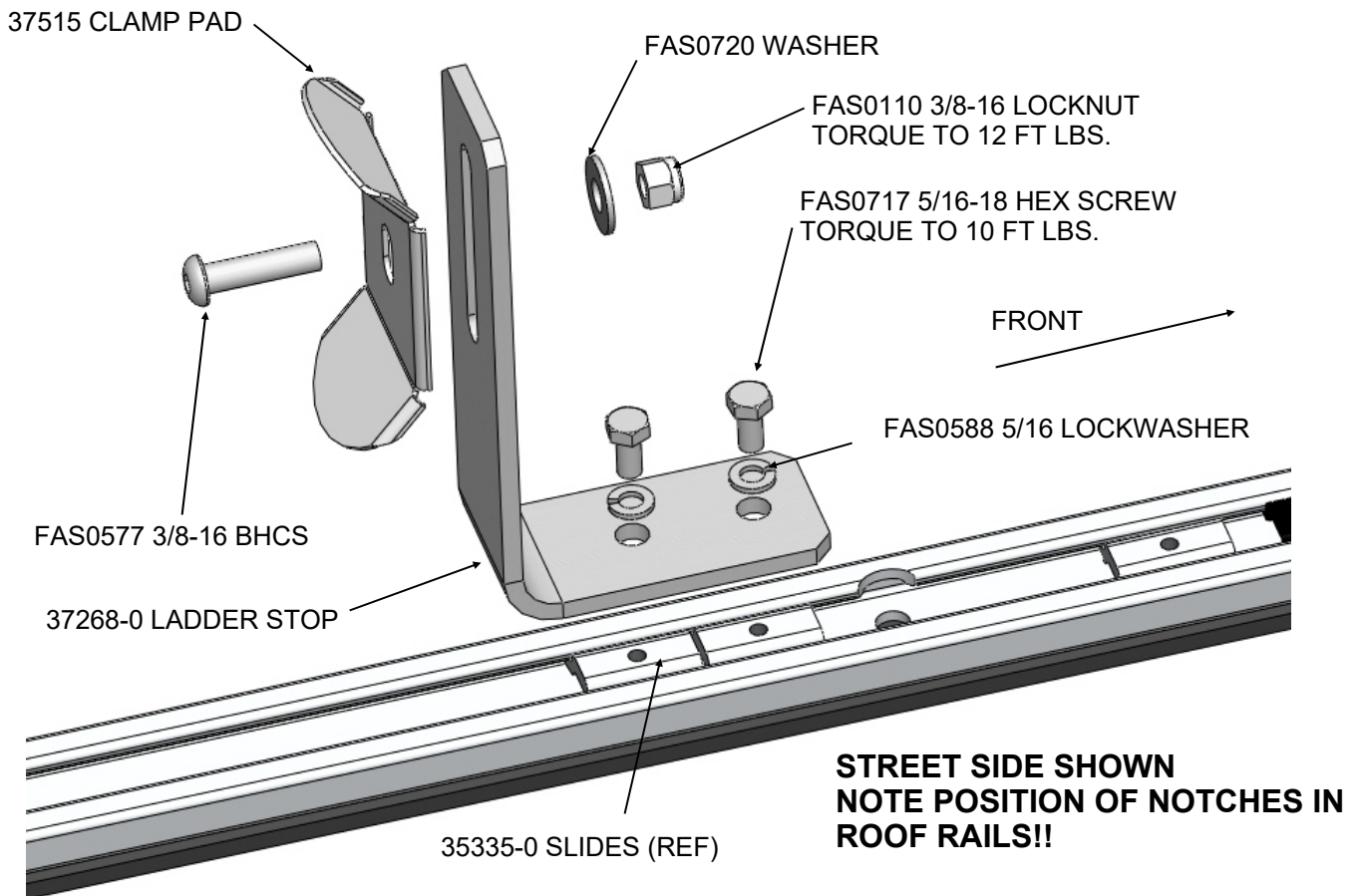


**STEP #02 : ASSEMBLE 2 CROSS BOW ASMs.**

SLIDE WEAR INSERT INTO CROSS BOW UNTIL INNER HOLES LINE UP ON EACH END. FOR EASE OF ASSEMBLY, BEND WEAR INSERT TO APPROXIMATE CURVATURE OF BOW WHILE INSERTING. NOTE : SOME OF THE PLASTIC WILL SHAVE OFF AS THIS IS AN INTERFERENCE FIT. AFTER INSERTING AS FAR AS YOU CAN BY HAND, OCCASIONALLY THE CAREFUL USE OF A BLOCK OF WOOD AND A HAMMER OR Mallet TO REACH FINISHED POSITION MAY BE NECESSARY. INSERT (1) 36496-0 END CAP INTO EACH END OF EACH BOW ASM.



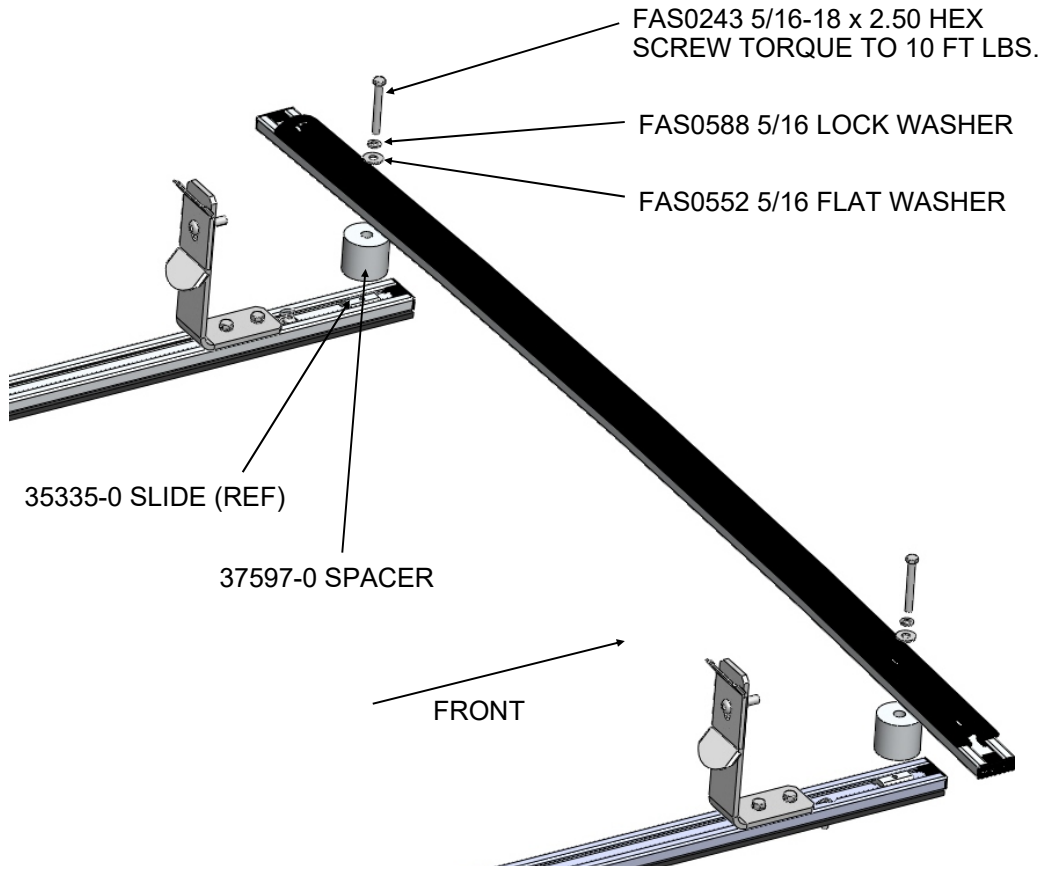
**STEP #03 : ASSEMBLE LADDER STOPS TO ROOF RAILS, 1 EACH RAIL**







**STEP #04 : ASSEMBLE BOW ASMS TO ROOF RAILS**



**FRONT SHOWN.**

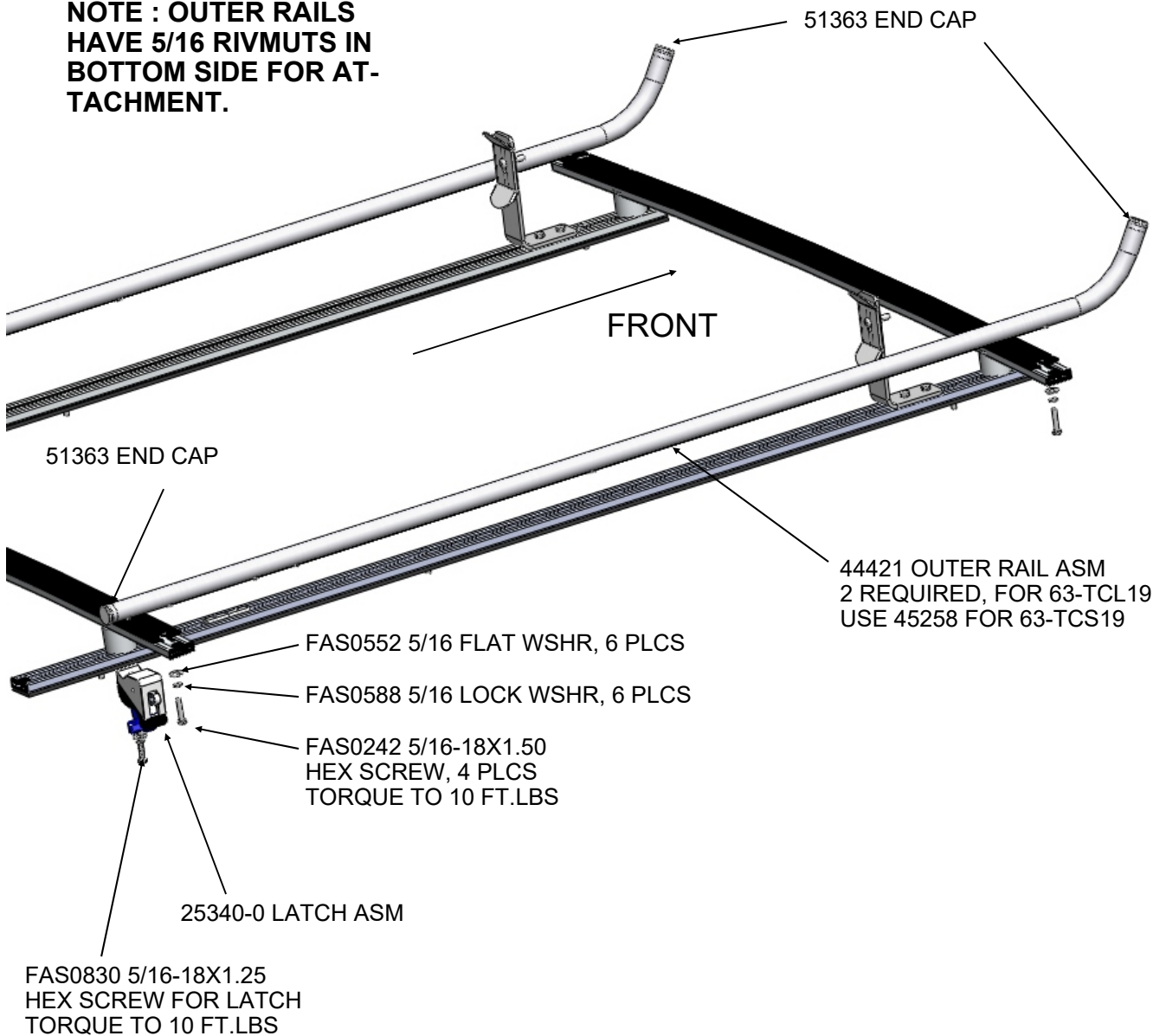
**REAR ASSEMBLY SAME AS FRONT. POSITION FRONT BOW AS SHOWN. REAR BOW POSITION WILL BE DETERMINED BY THE OUTER RAIL. SEE NEXT STEP.**



**STEP #05 ASSEMBLE OUTER RAILS TO RACK**

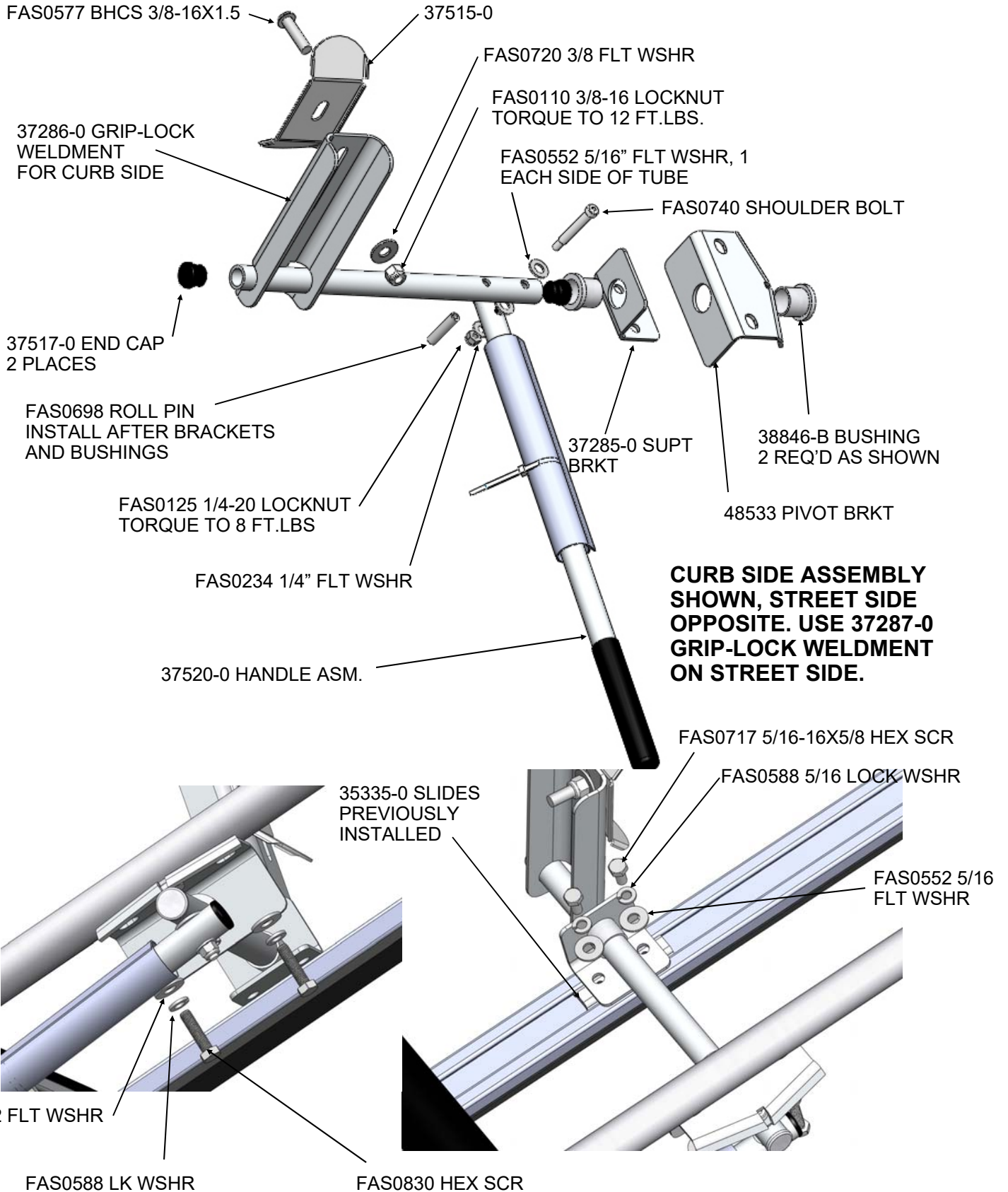
INSTALL (2) 51363 END CAPS INTO TUBE ENDS, INSTALL LATCH ASM AS SHOWN AND INSTALL ASM ON RACK.

**NOTE : OUTER RAILS HAVE 5/16 RIVMUTS IN BOTTOM SIDE FOR ATTACHMENT.**





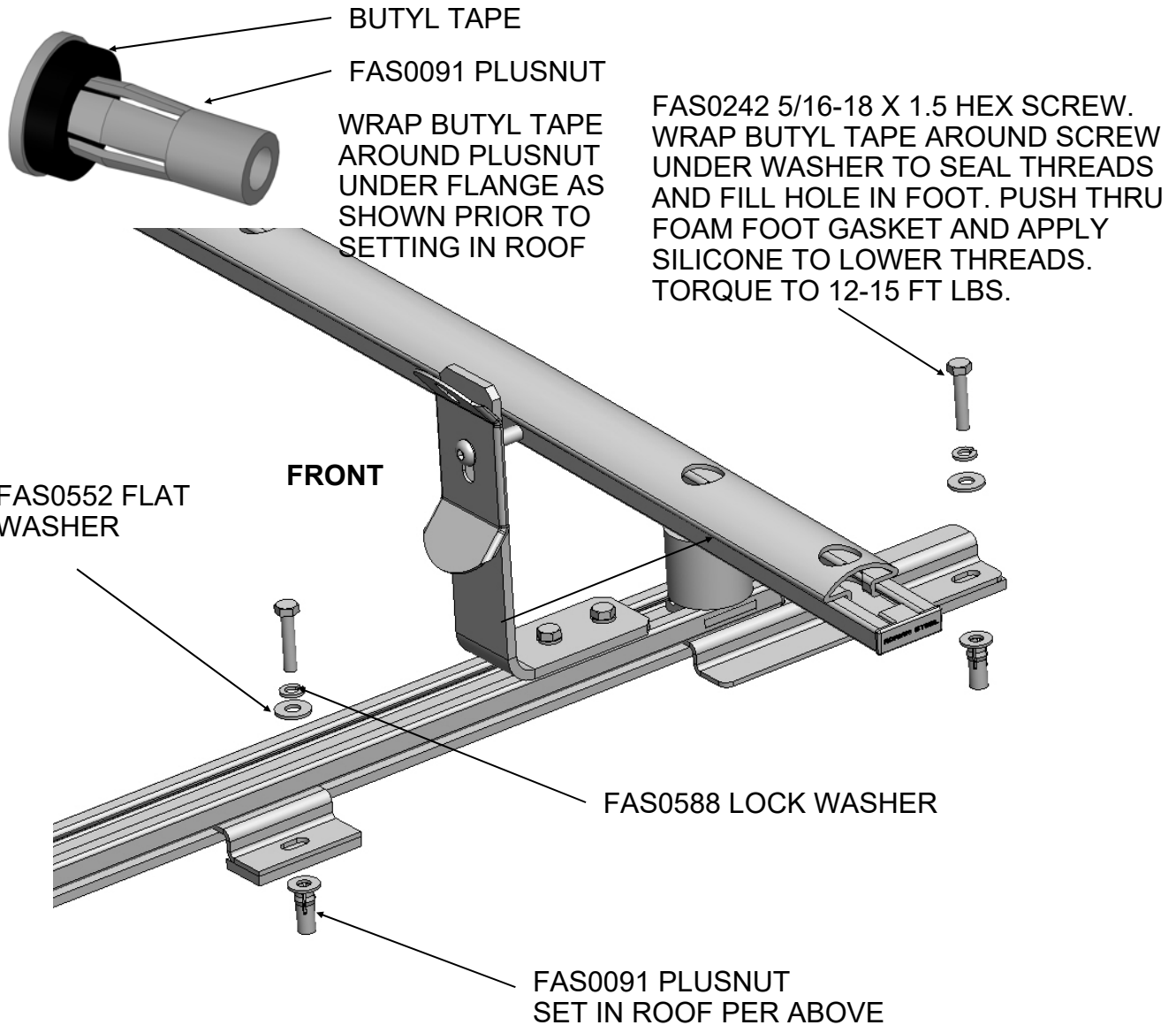
**STEP #06 ASSEMBLE GRIP-LOCK MECHANISM AND INSTALL ON RACK**





**STEP #07 ASSEMBLE GRIP-LOCK RACK TO VEHICLE**

REMOVE OEM PLASTIC PLUGS FROM ROOF. THESE ARE THE ATTACHMENT POINTS FOR THE RACK. THERE ARE 5 PER SIDE ON THE LONG WHEELBASE AND 4 PER SIDE ON THE SHORT WHEELBASE. CHECK TO MAKE SURE NOTHING IS BELOW THE HOLES (ie WIRING, AIRBAGS, ETC.) DRILL THE HOLES OUT TO 0.500" **USING BITS WITH DRILL STOPS! ALSO USE CLOTHS TO PREVENT HOT SHAVINGS FROM EMBEDDING IN PAINT!! CLEAN OFF SHAVINGS IMMEDIATELY.** SET AN FAS0091 PLUSNUT IN EACH HOLE, PREPARED AS SHOWN BELOW. POSITION THE RACK ON ROOF AND FASTEN AS SHOWN BELOW, RAIL ASSEMBLIES WILL HAVE TO BE FASTENED FROM ONE END TO THE OTHER AND PUSHED DOWN TO CONFORM TO THE CURVATURE OF THE ROOF.



**DOUBLE-CHECK ALL FASTENER LOCATIONS TO BE SURE THAT ALL FASTENERS ARE TIGHTENED TO SPECIFICATIONS!**

