

## Metris Dbl G/L Ldr Rack

**PRODUCT WEIGHT**

48 LBS

**WIDTH x DEPTH x HEIGHT**

65" x 85" x 9"

**CAPACITY**

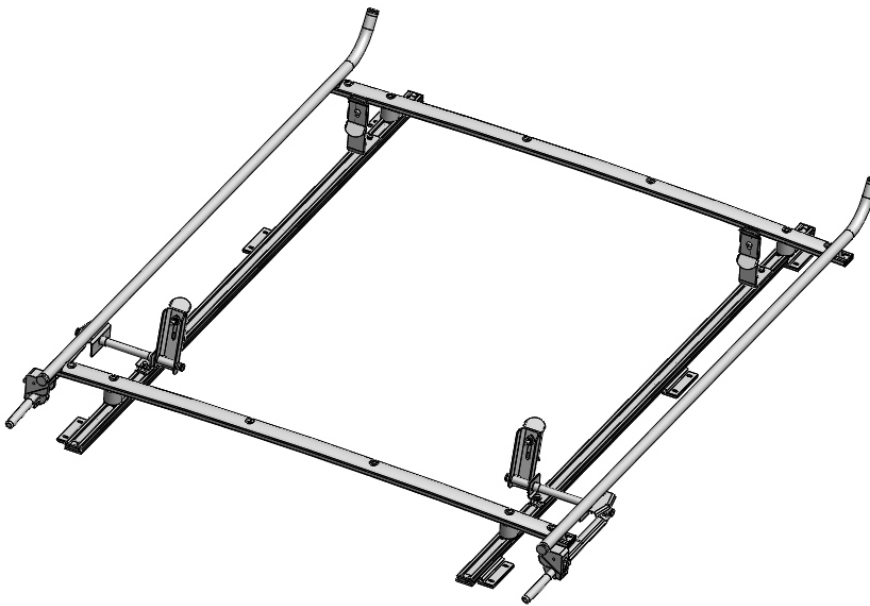
24' Ext Ladders

**COLOR**

Alum & Black

**CATALOG NUMBER**

63-MM



### **PRODUCT FEATURES**

**Double Grip-Lock Ladder Rack for Mercedes Metris Vans.**

For 135 WB Metris the (59038) Adaptor Kit is required.

**Aluminum construction with plastic and plastisol ladder contact surfaces to protect fiberglass ladders.**

**This Rack can carry 28' Extension Ladders : check your local regulations regarding rear overhanging loads.**

**NOTE : Vehicle Roof Load Rating is 330 Lbs. Max.**

**SEE PAGE 2 FOR APPLICATION NOTES AND ACCESSORIES, OTHER PRODUCTS THAT WORK WITH THIS UNIT.**



**CATALOG NUMBER**      63-MM

**PRODUCT APPLICATION**

This product is designed to fit the Mercedes Metris Van.

**ACCESSORIES THAT WILL WORK WITH THIS PRODUCT**

<b>CATALOG NUMBER</b>	<b>DESCRIPTION</b>
<b>1BMMGL</b>	<b>Center Bow Add-On Kit for Step Ladders, etc.</b>
<b>69-TCL14</b>	<b>Extension for carrying up to 28' Ldrs (Requires 1BMMGL)</b>
<b>59038</b>	<b>For 135 WB Metris the (59038) Adaptor Kit is required.</b>

**SPECIAL APPLICATION NOTES**



### Introduction / Comments:

THIS LADDER RACK IS DESIGNED TO MOUNT TO THE FACTORY ATTACHMENT POINTS. REMOVE PLASTIC PLUGS TO INSTALL NEW RACK (SEE STEP #06).

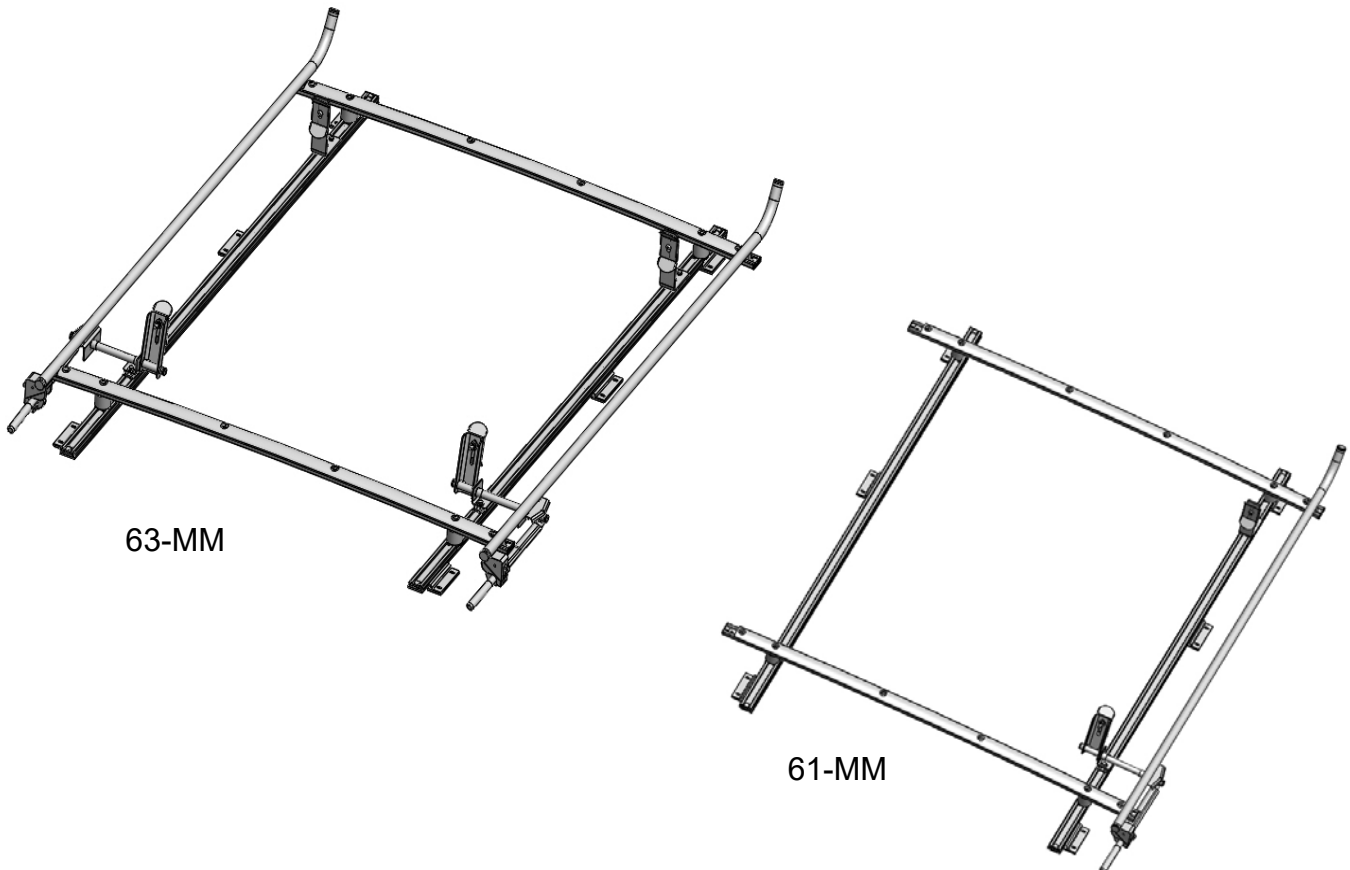
THIS RACK IS DESIGNED FOR AND RATED TO CARRY UP TO 24' LONG EXTENSION LADDERS. ROOF IS RATED TO CARRY UP TO 330 LBS TOTAL. BE SURE ANY LOAD OR LADDER IS PROPERLY SECURED TO THE RACK PRIOR TO MOVING VEHICLE.

NOT FOR USE WITH SUNROOFS.

**NOTE : THIS RACK UTILIZES SPECIFIC STREET AND CURB SIDE ROOF RAIL ASSEMBLIES!!!**

**Note:**

It is advised that all fasteners used in this assembly and installation of this Rack should be checked for tightness at the following intervals: @ 2-weeks and again @ 6-weeks of operation. This preventive maintenance step must be completed to ensure your package gives you long service life.



## **63-MM DOUBLE GRIP-LOCK & 61-MM SINGLE GRIP-LOCK LADDER RACKS FOR 2016 MERCEDES METRIS VANS**



## - PRECAUTIONS -



**CAUTION**  
THE USE OF AIR IMPACT TOOLS CAN  
OVER-TORQUE FASTENERS AND  
CAUSE FASTENER FAILURE!



**CAUTION**  
ALL INSTALLATION HOLES SHOULD BE SEALED  
WITH SILICON OR BUTYL SEALANT TO PREVENT  
EXHAUST FUMES FROM ENTERING THE VEHICLE!



**DANGER**  
INSPECT FOR FUEL TANK, FUEL LINES, BRAKE LINES, HIGH  
VOLTAGE BATTERIES AND ELECTRICAL LINES PRIOR TO  
DRILLING TO AVOID DAMAGING CRITICAL VEHICLE SYSTEMS  
OR INJURY TO INSTALLER DURING INSTALLATION PROCESS!



**CAUTION**  
TO AVOID DAMAGING THE VEHICLE ALWAYS  
USE DRILL STOPS WHEN DRILLING ANY IN-  
STALLATION HOLES!



## - IMPORTANT WARRANTY REQUIREMENTS -

1. SUBSTITUTING ADRIAN STEEL SPECIFIED FASTENERS FOR ASSEMBLY AND/OR INSTALLATION WILL VOID YOUR PRODUCT WARRANTY.
2. ALL HOLES DRILLED INTO VEHICLE SHOULD HAVE THE RAW METAL EDGES SEALED WITH A SELF-ETCHING PRIMER TO RESIST CORROSION AND POTENTIAL FASTENER POINT FAILURE.
3. ALL FASTENERS USED IN THE INSTALLATION OF THIS PRODUCT SHOULD BE TIGHTENED TO THE TORQUE(S) SPECIFIED IN THESE INSTRUCTIONS.
4. THESE INSTRUCTIONS SHOULD BE KEPT WITH THE VEHICLE.

### THE BASIC TOOLS NEEDED FOR MOST INSTALLATIONS



DRILL



DRILL BIT WITH  
STOP



RATCHET, SOCKETS  
AND/OR WRENCHES



SCREWDRIVERS



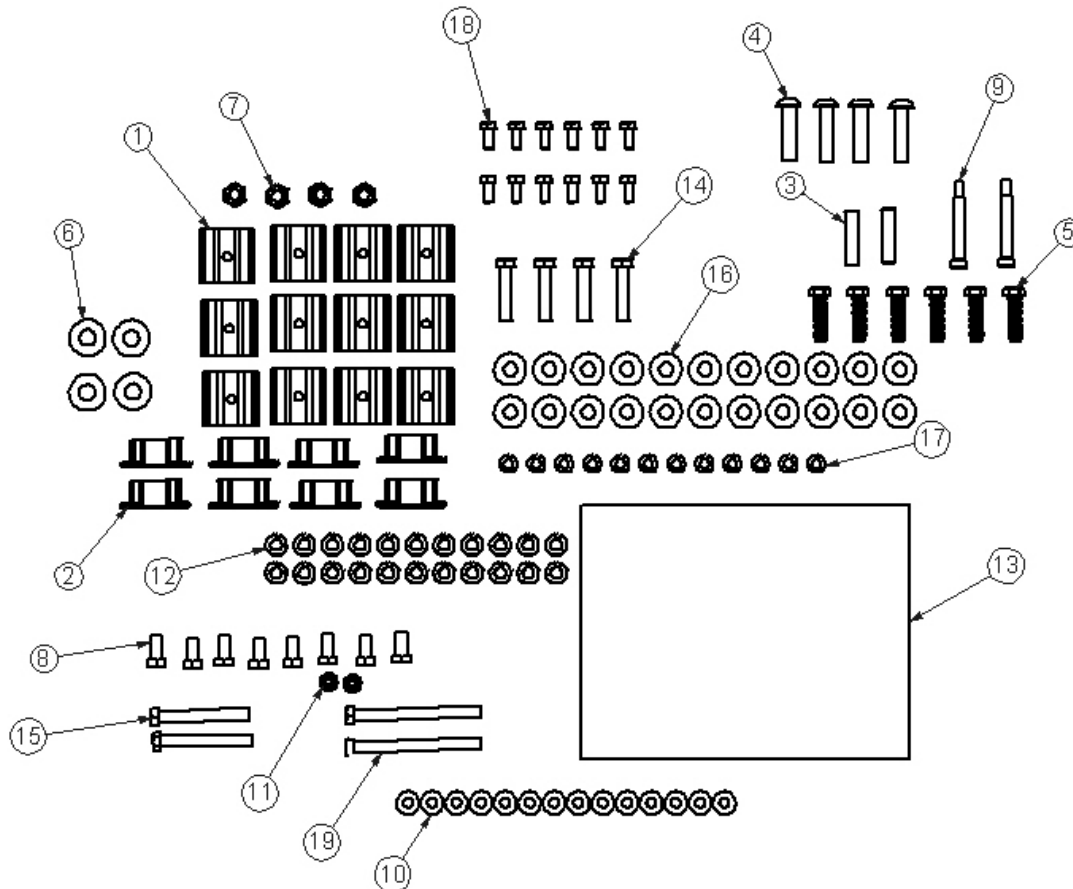
MEASURING TAPE

ADDITIONAL TOOLS MAY BE NEEDED FOR THIS INSTALLATION AND THEY WILL BE IDENTIFIED IN THE STEPS THAT FOLLOW.



**BAG63MM  
FASTENER BAG FOR 63-MM LADDER RACK**

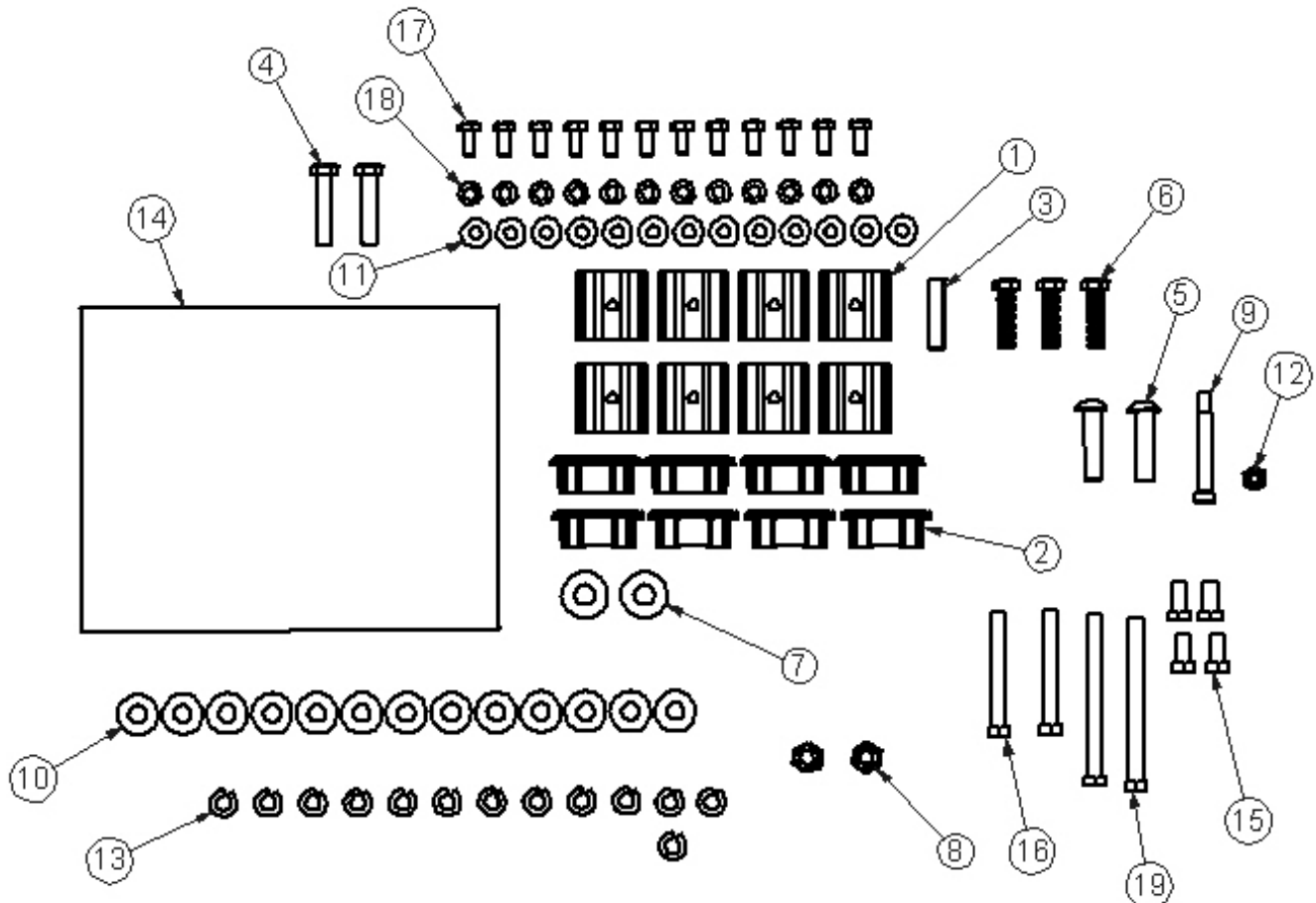
ITEM NO.	PART NUMBER	DESCRIPTION	QTY.
1	35335-0	SLIDE	12
2	36496-0	END CAP	8
3	FAS0698	PIN, SPRING .312X1.50 SS	2
4	FAS0577	Screw, Button Hd Hex Soc, 3/8-16x1.50 NI-ZN	4
5	FAS0830	Screw, Hex Hd, 5/16-18 X 1.25 SS	6
6	FAS 0720	Washer, Flat 3/8 SS	4
7	FAS0110	Nut, Hex Nylk 3/8-16 SS W	4
8	FAS0717	Screw, Hex Hd, 5/16-18x.625 SST	8
9	FAS0740	Shoulder Bolt,	2
10	FAS0234	Washer, Flat, 1/4, SST	14
11	FAS0125	Nut, Nylon Insert Lock, 1/4-20 SST	2
12	FAS0588	Washer, Lock, Split, 5/16, SS	22
13	BAG0709-A	7" x 9" 3MIL AUTOBAG	1
14	FAS0242	Screw, Hex Hd, 5/16-18x1.50 Stainless Steel	4
15	FAS0243	Screw, Hex Hd, 5/16-18x2.50 Stainless Steel	2
16	FAS0552	Washer, Flat, 5/16, SST	22
17	FAS0672	Washer, Lock, Split, 1/4", SST	12
18	FAS0268	Screw, Hex Head, M6-1.0 X 14.0	12
19	FAS0433	Screw, Hex Hd, 5/16-18x3.50, SS Grade 5	2





**BAG61MM  
FASTENER BAG FOR 61-MM LADDER RACK**

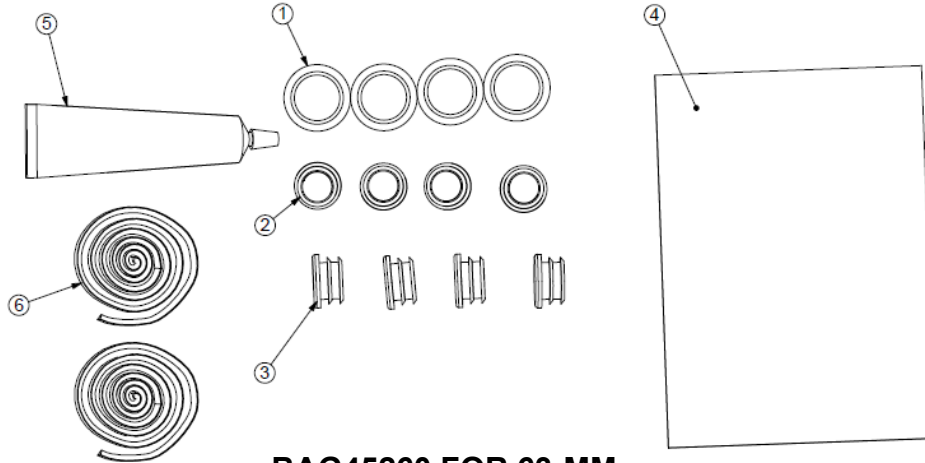
ITEM NO.	PART NUMBER	DESCRIPTION	QTY.
1	35335-0	SLIDE	8
2	36496-0	End Cap, RAIL EXTR #2	8
3	FAS0698	PIN, SPRING .312X1.50 SS	1
4	FAS0242	Screw, Hex Hd, 5/16-18x1.50 Stainless Steel	2
5	FAS0577	Screw, Buffon Hd Hex Soc, 3/8-16x1.50 NI-ZN	2
6	FAS0830	Screw, Hex Hd, 5/16-18 X 1.25 SS	3
7	FAS 0720	Washer, Flat 3/8 SS	2
8	FAS0110	Nut, Hex Nylk 3/8-16 SS W	2
9	FAS0740	Shoulder Bolt,	1
10	FAS0552	Washer, Flat, 5/16, SST	13
11	FAS0234	Washer, Flat, 1/4, SST	13
12	FAS0125	Nut, Nylon Insert Lock, 1/4-20 SST	1
13	FAS0588	Washer, Lock, Split, 5/16, SS	13
14	BAG0709-A	7" x 9" 3MIL AUTOBAG	1
15	FAS0717	Screw, Hex Hd, 5/16-18x.625 SST	4
16	FAS0243	Screw, Hex Hd, 5/16-18x2.50 Stainless Steel	2
17	FAS0268	Screw, Hex Head, M6-1.0 X 14.0	12
18	FAS0672	Washer, Lock, Split, 1/4", SST	12
19	FAS0433	Screw, Hex Hd, 5/16-18x3.50, SS Grade 5	2



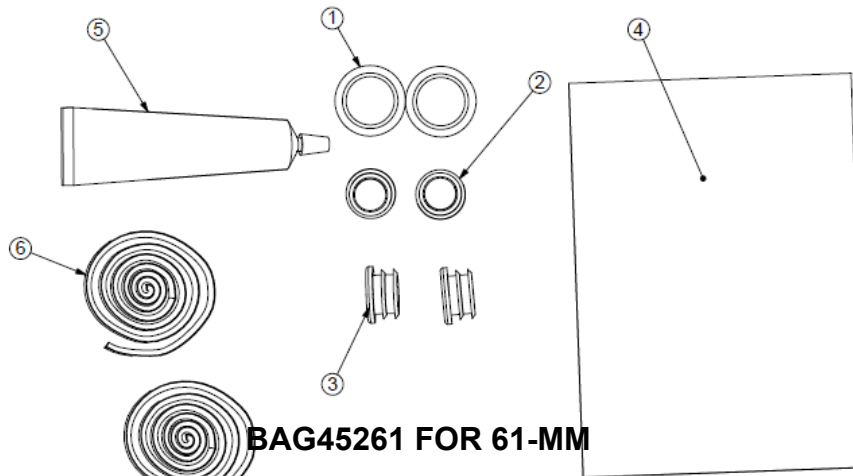


**BAG45260 ACCESSORY BAG FOR 63-MM  
BAG45261 ACCESSORY BAG FOR 61-MM**

ITEM NO.	PART NUMBER	DESCRIPTION	BAG45260/QTY.
1	38846-B	BUSHING, G/L, TC	4
2	37517-0	End Cap, Black	4
3	51363	CAP PLUG, RND, BLK, 1 DIA	4
4	BAG0507-A	5' x 7' 3MIL AUTOBAG	1
5	28818-0	Silicone Sealant	1
6	05588-0	Butyl Tape, T224 -1/2"X 1' Roll	2

**BAG45260 FOR 63-MM**

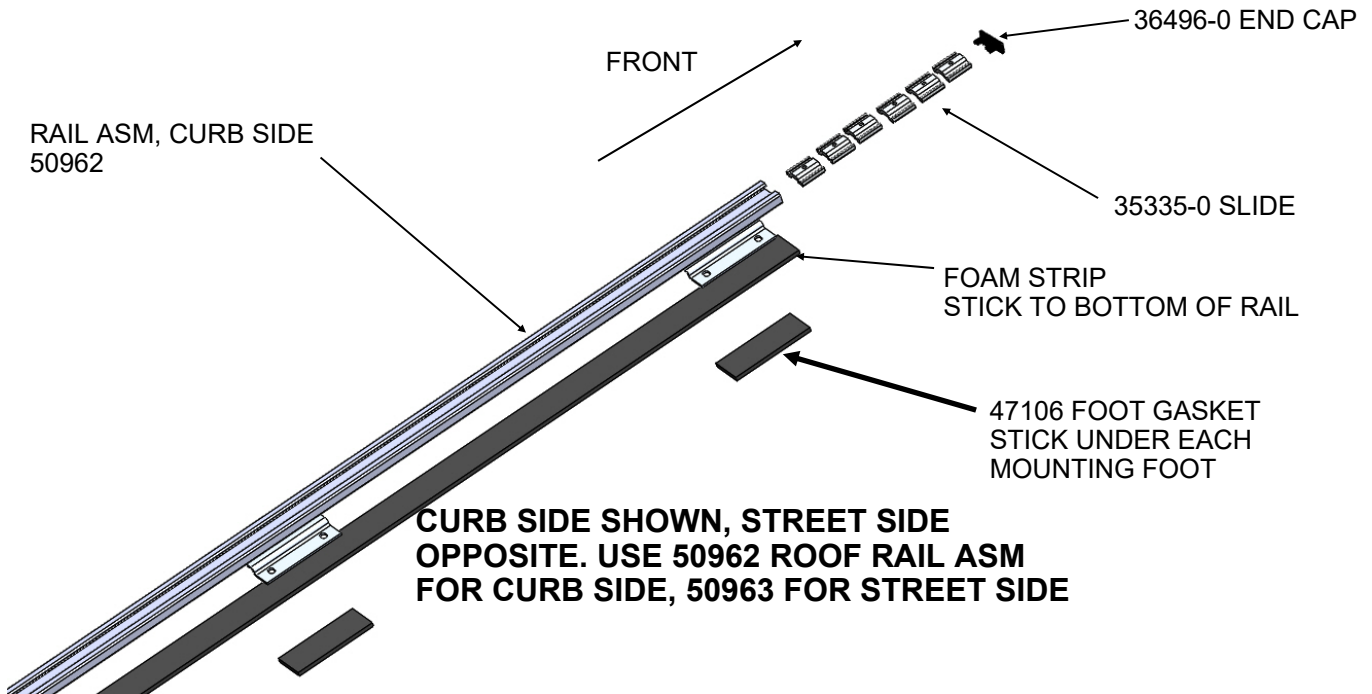
ITEM NO.	PART NUMBER	DESCRIPTION	BAG45261/QTY.
1	38846-B	BUSHING, G/L, TC	2
2	37517-0	End Cap, Black	2
3	51363	CAP PLUG, RND, BLK, 1 DIA	2
4	BAG0507-A	5' x 7' 3MIL AUTOBAG	1
5	28818-0	Silicone Sealant	1
6	05588-0	Butyl Tape, T224 -1/2"X 1' Roll	2

**BAG45261 FOR 61-MM**



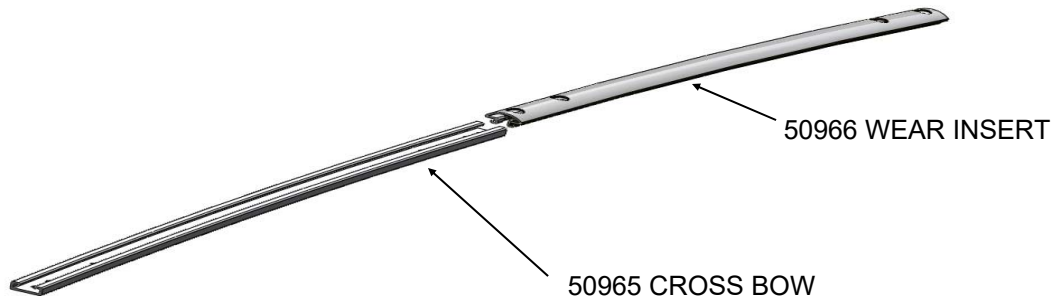
**STEP #01: ASSEMBLE ROOF RAILS. NOTE DIFFERENCES BETWEEN STREET AND CURB SIDE ROOF RAIL ASSEMBLIES!!**

**INSERT (6) 35335-0 SLIDES INTO EACH ROOF RAIL (4 INTO STREET SIDE FOR 61-MM) AND (1) 36496-0 END CAP INTO EACH END (4 TOTAL). PEEL AND STICK FOAM STRIP TO BOTTOM OF EACH RAIL.**



**STEP #02 : ASSEMBLE 2 CROSS BOW ASMs.**

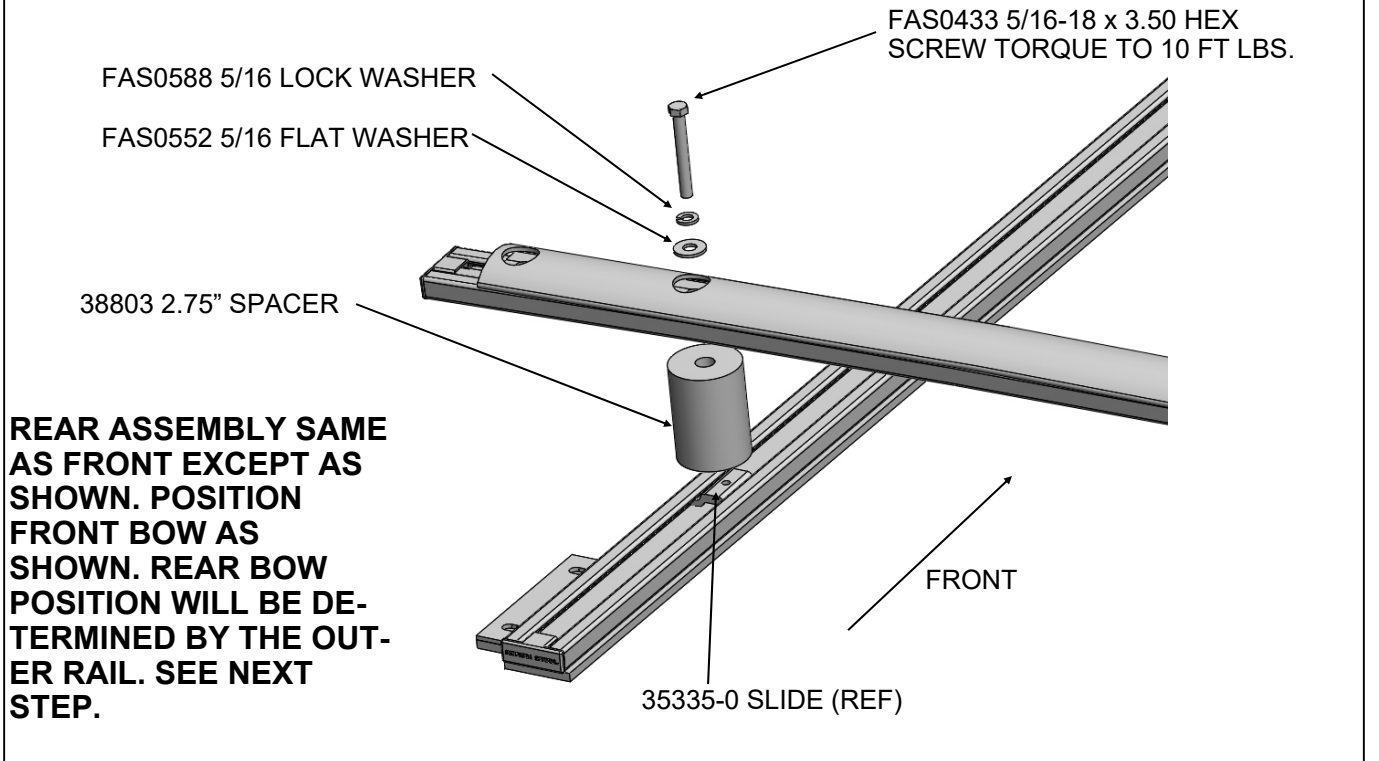
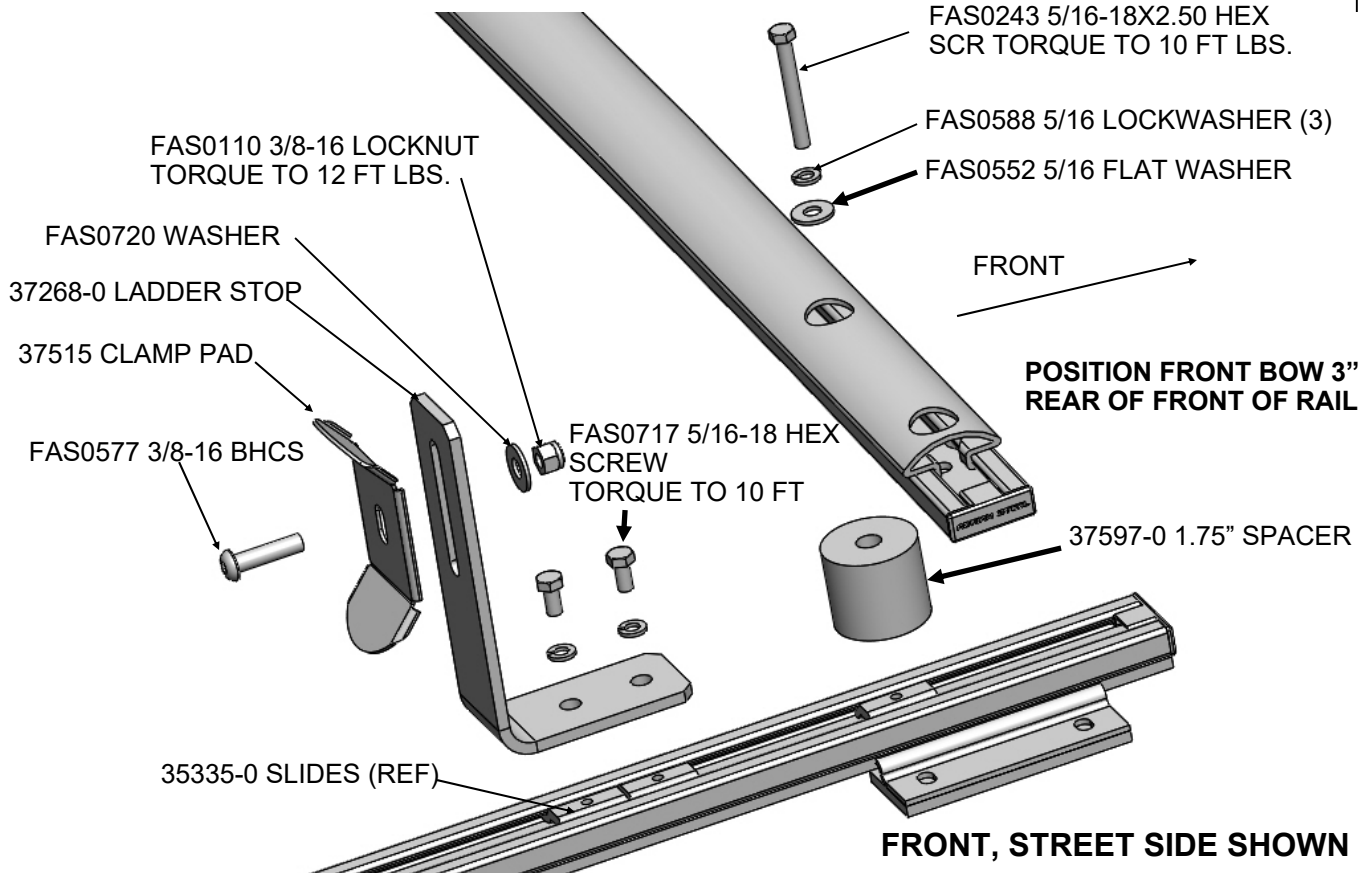
**SLIDE WEAR INSERT INTO CROSS BOW UNTIL INNER HOLES LINE UP ON EACH END. FOR EASE OF ASSEMBLY, BEND WEAR INSERT TO APPROXIMATE CURVATURE OF BOW WHILE INSERTING. NOTE : SOME OF THE PLASTIC WILL SHAVE OFF AS THIS IS AN INTERFERENCE FIT. AFTER INSERTING AS FAR AS YOU CAN BY HAND, OCCASIONALLY THE CAREFUL USE OF A BLOCK OF WOOD AND A HAMMER OR Mallet TO REACH FINISHED POSITION MAY BE NECESSARY. INSERT (1) 36496-0 END CAP INTO EACH END OF EACH BOW ASM.**







**STEP #03 : ASSEMBLE LADDER STOPS (1 EACH RAIL) & BOWS TO ROOF RAILS**



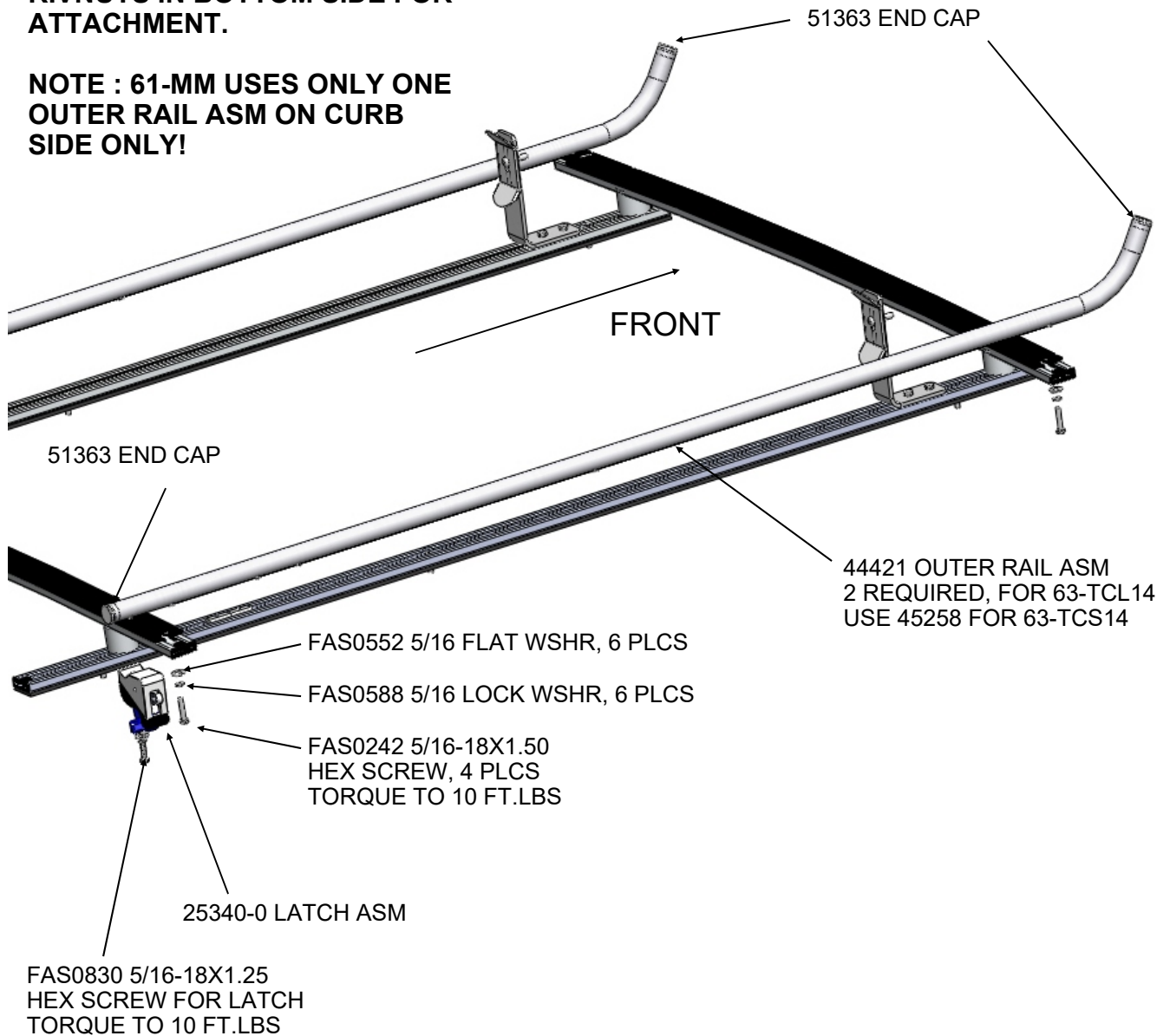


**STEP #04 ASSEMBLE OUTER RAILS TO RACK**

INSTALL (2) 51363 END CAPS INTO TUBE ENDS, INSTALL LATCH ASM AS SHOWN AND INSTALL ASM ON RACK.

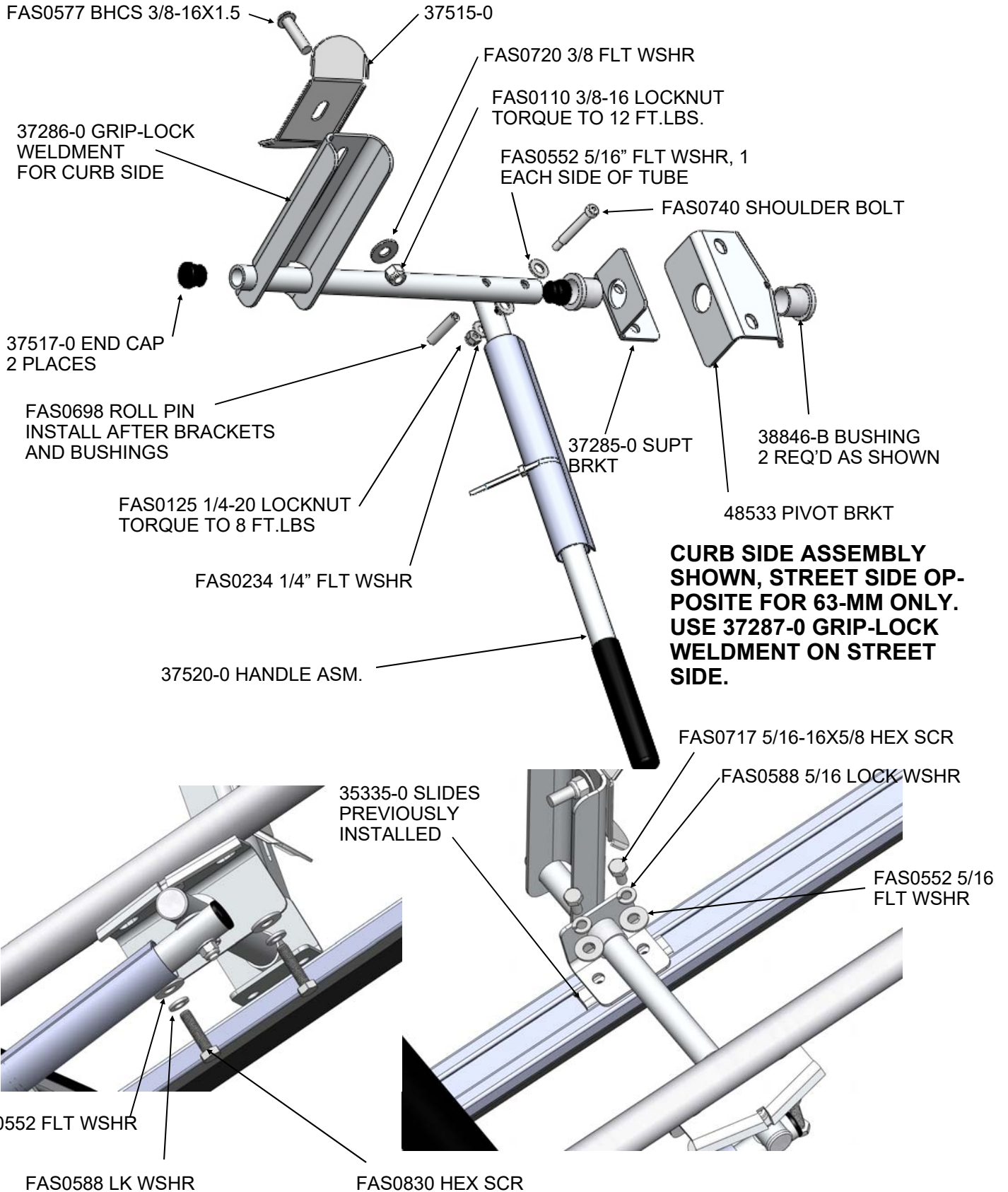
**NOTE : OUTER RAILS HAVE 5/16 RIVNUTS IN BOTTOM SIDE FOR ATTACHMENT.**

**NOTE : 61-MM USES ONLY ONE OUTER RAIL ASM ON CURB SIDE ONLY!**





**STEP #05 ASSEMBLE GRIP-LOCK MECHANISM AND INSTALL ON RACK**





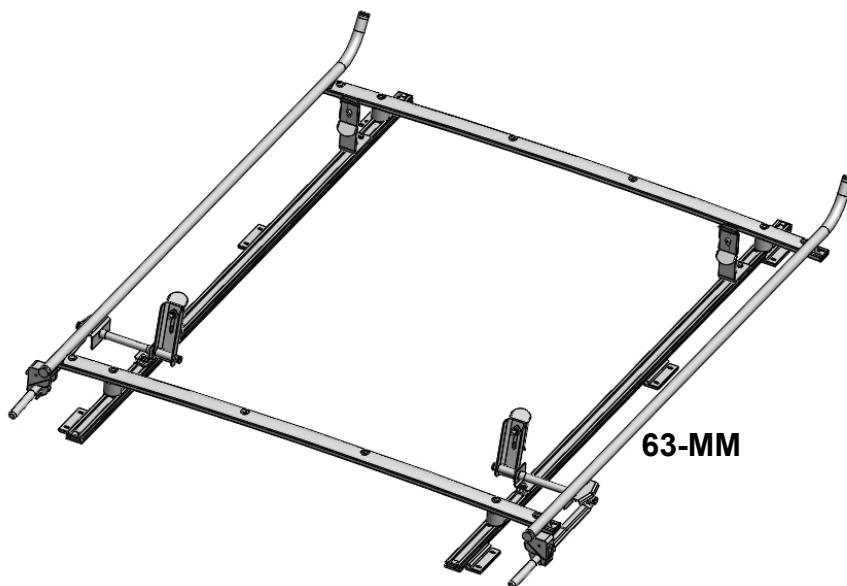
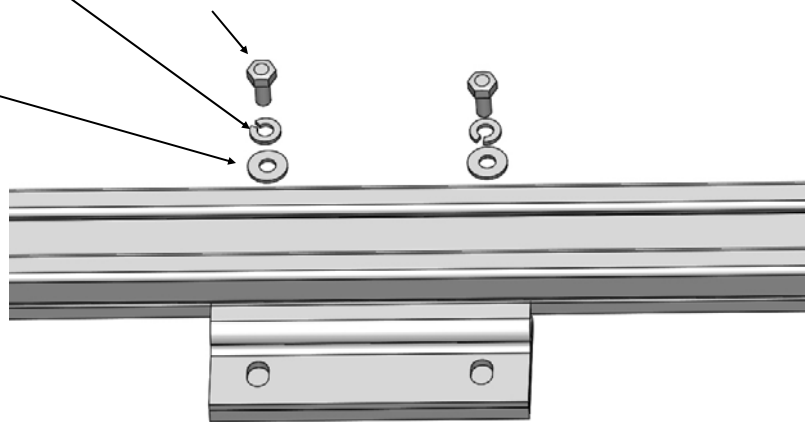
**STEP #06 ASSEMBLE GRIP-LOCK RACK TO VEHICLE**

REMOVE OEM PLASTIC PLUGS FROM THE REAR 3 PAIRS OF HOLES ON EACH SIDE OF VAN ROOF. THESE ARE THE ATTACHMENT POINTS FOR THE RACK. THERE ARE 4 PAIRS PER SIDE, USE ONLY THE 3 REARMOST PAIRS. POSITION THE RACK ON ROOF AND FASTEN AS SHOWN BELOW, RAIL ASSEMBLIES SHOULD BE FASTENED FROM FRONT TO REAR AND PUSHED DOWN TO CONFORM TO THE CURVATURE OF THE ROOF. **SCREWS ARE SHORT, BUT LONGER SCREWS WILL BOTTOM OUT IN OEM FASTENER IN ROOF AND PREVENT RACK FROM BEING COMPLETELY TIGHTENED DOWN TO ROOF!!**

FAS0268 M6-1.0X14 HEX SCREW, 12 REQ'D.  
PUSH THRU FOAM FOOT GASKET AND APPLY SILICONE TO LOWER THREADS.  
TORQUE TO 10-12 FT LBS.

FAS0588 LOCK WASHER

FAS0552 FLAT WASHER



**DOUBLE-CHECK ALL FASTENER LOCATIONS TO BE SURE THAT ALL FASTENERS ARE TIGHTENED TO SPECIFICATIONS!**

