



PRODUCT WEIGHT

53 lbs

WIDTH x DEPTH x HEIGHT

CAPACITY

28 FOOT EXT

COLOR

Aluminum / Black

CATALOG NUMBER

63-GLGM2

PRODUCT FEATURES

This Grip Lock and Roof Cross-bow Kit is designed to fit the GM FSV. The grip lock will carry 16 to 28 foot extension ladders, and 8 to 12 foot step ladders. For shorter ladders, you will need the grip lock step ladder kit, GLSLKFSV. Use 69-GL for a 32 foot extension ladder.

For a GM side slider door, Please order a 55075 riser kit. This is available upon request. These feet raise the grip lock approximately 2". This also comes with a wind deflector as raising the rack changed the harmonics.

SEE PAGE 2 FOR APPLICATION NOTES AND ACCESSORIES, OTHER PRODUCTS THAT WORK WITH THIS UNIT.

CATALOG NUMBER 63-GLGM2

PRODUCT APPLICATION

This Double grip lock kit is designed to fit the GM FSV.

ACCESSORIES THAT WILL WORK WITH THIS PRODUCT

<i>CATALOG NUMBER</i>	<i>DESCRIPTION</i>
GLSLKFSV	STEP LADDER KIT , GRIP LOCK
69-GL	EXTENSION, GRIP LOCK LADDER RACK—FOR 32 FOOT LADDER
80-1LR 80-2LR	CONDUIT KITS, ALUMINUM
70-1LR 70-2LR	CONDUIT KITS, PVC
55075	GM G/L SIDE SLIDER DOOR KIT

SPECIAL APPLICATION NOTES

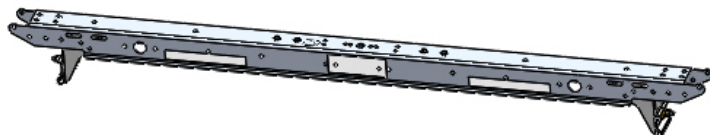
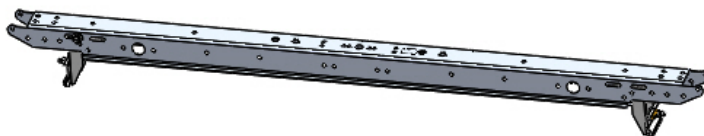
Introduction / Comments:

THIS ROOF RAIL AND CROSS BOW KIT IS DESIGNED FOR THE GM FSV, IT IS THE BASE UNIT FOR ALL OF THE LADDER RACK COMBINATIONS FOR THIS VEHICLE. INCLUDING THE SINGLE AND DOUBLE DROP DOWN LADDER RACK, THE SINGLE AND DOUBLE GRIP LOCK, AND THE COMBO GRIP LOCK DROP DOWN LADDER RACK.

FOR A GM SIDE SLIDER DOOR, PLEASE ORDER A 55075 RISER KIT. THIS IS AVAILABLE UPON REQUEST. THESE FEET RAISE THE GRIP LOCK APPROX 2" AND CLEARS THE SIDE SLIDER DOOR. THIS ALSO COMES WITH A WIND DEFLECTOR AS RAISING THIS RACK CHANGED THE HARMONICS.

Note:

It is advised that all fasteners used in this assembly and installation of this Rack should be checked for tightness at the following intervals: @ 2-weeks and again @ 6-weeks of operation. This preventive maintenance step must be completed to ensure your package gives you long service life.



TO VIEW INSTALL VIDEO



**RRKGMFSV
ROOF RAIL AND CROSS BOW KIT
GM FULL SIZE VAN**

- PRECAUTIONS -



CAUTION
THE USE OF AIR IMPACT TOOLS CAN
OVER-TORQUE FASTENERS AND
CAUSE FASTENER FAILURE!



CAUTION
ALL INSTALLATION HOLES SHOULD BE SEALED
WITH SILICON OR BUTYL SEALANT TO PREVENT
EXHAUST FUMES FROM ENTERING THE VEHICLE!



DANGER
INSPECT FOR FUEL TANK, FUEL LINES, BRAKE LINES, HIGH
VOLTAGE BATTERIES AND ELECTRICAL LINES PRIOR TO
DRILLING TO AVOID DAMAGING CRITICAL VEHICLE SYSTEMS
OR INJURY TO INSTALLER DURING INSTALLATION PROCESS!



CAUTION
TO AVOID DAMAGING THE VEHICLE ALWAYS
USE DRILL STOPS WHEN DRILLING ANY IN-
STALLATION HOLES!



- IMPORTANT WARRANTY REQUIREMENTS -

1. SUBSTITUTING ADRIAN STEEL SPECIFIED FASTENERS FOR ASSEMBLY AND/OR INSTALLATION WILL VOID YOUR PRODUCT WARRANTY.
2. ALL HOLES DRILLED INTO VEHICLE SHOULD HAVE THE RAW METAL EDGES SEALED WITH A SELF-ETCHING PRIMER TO RESIST CORROSION AND POTENTIAL FASTENER POINT FAILURE.
3. ALL FASTENERS USED IN THE INSTALLATION OF THIS PRODUCT SHOULD BE TIGHTENED TO THE TORQUE(S) SPECIFIED IN THESE INSTRUCTIONS.
4. THESE INSTRUCTIONS SHOULD BE KEPT WITH THE VEHICLE.

THE BASIC TOOLS NEEDED FOR MOST INSTALLATIONS



DRILL



DRILL BIT WITH
STOP



RATCHET, SOCKETS
AND/OR WRENCHES



SCREWDRIVERS

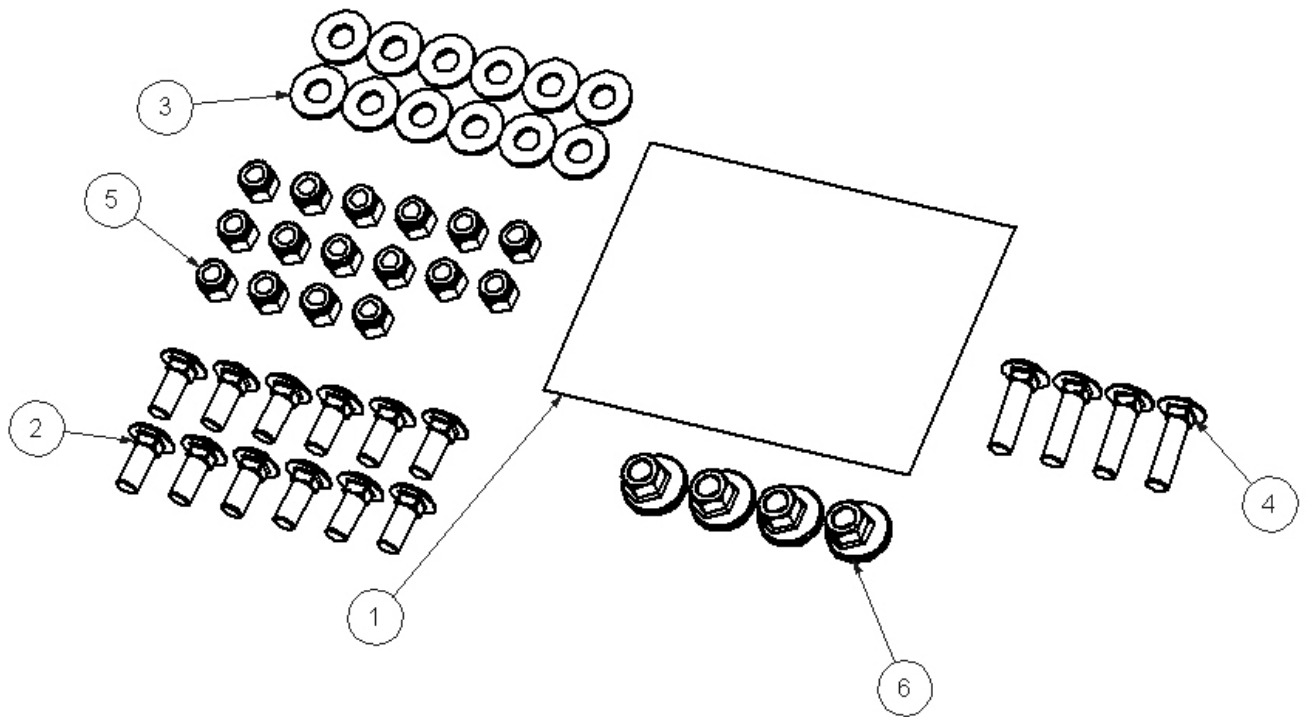


MEASURING TAPE

ADDITIONAL TOOLS MAY BE NEEDED FOR THIS INSTALLATION AND THEY WILL BE IDENTIFIED IN THE STEPS THAT FOLLOW.

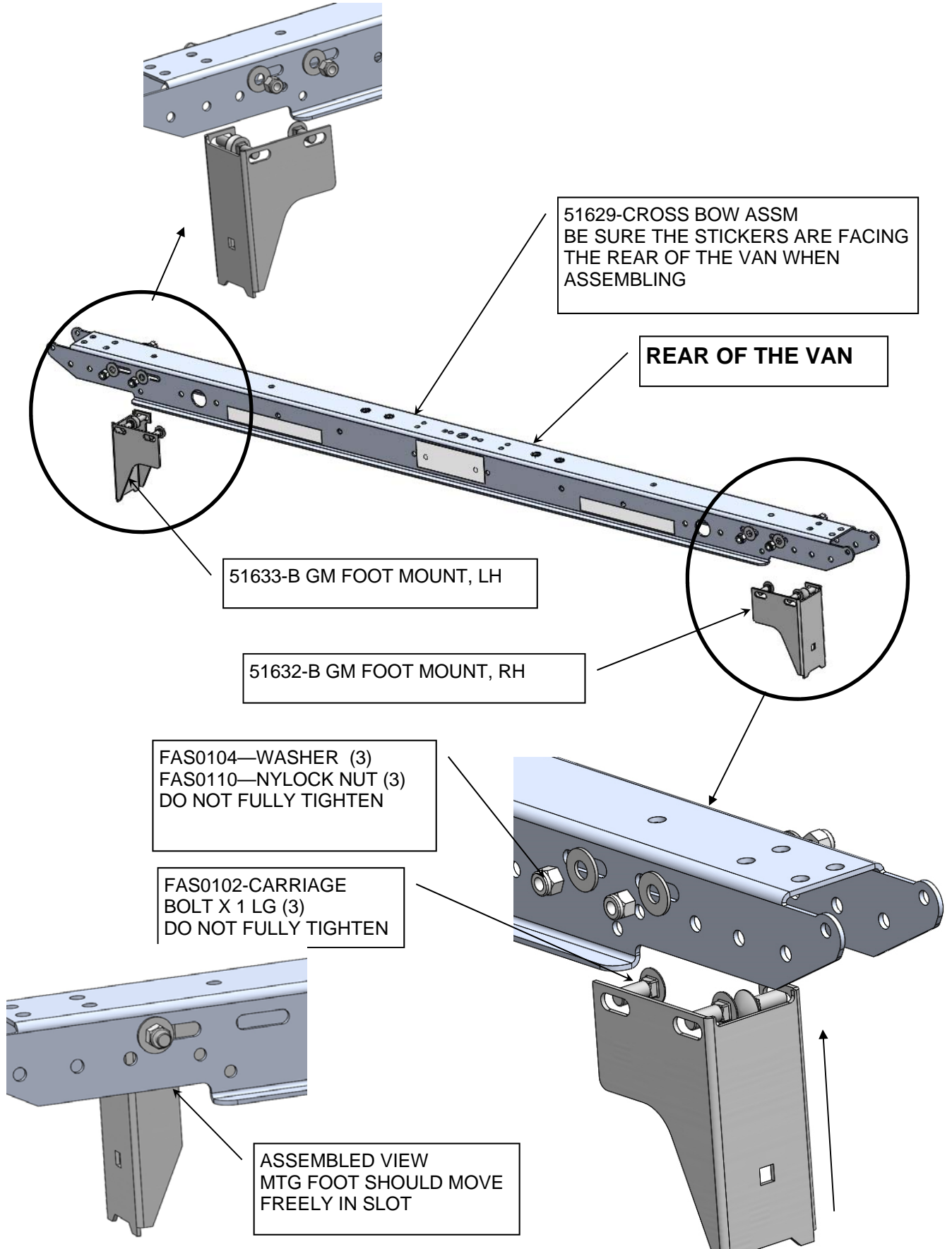
BAG51368 - FASTENER BAG

ITEM NO.	PART NUMBER	DESCRIPTION	QTY.
1	BAG0507-A	5" x 7" 3MIL AUTOBAG	1
2	FAS0102	Bolt, Carriage, 3/8-16x1, NZ G5	12
3	FAS0104	Washer, Flat, 3/8, NI ZN	12
4	FAS0117	Bolt, Carriage, 3/8-16x1.5, NZ, G5	4
5	FAS0110	Nut,Hex Nylk 3/8-16 SS W	16
6	07466-0	ADJUSTING CAM NUT	4



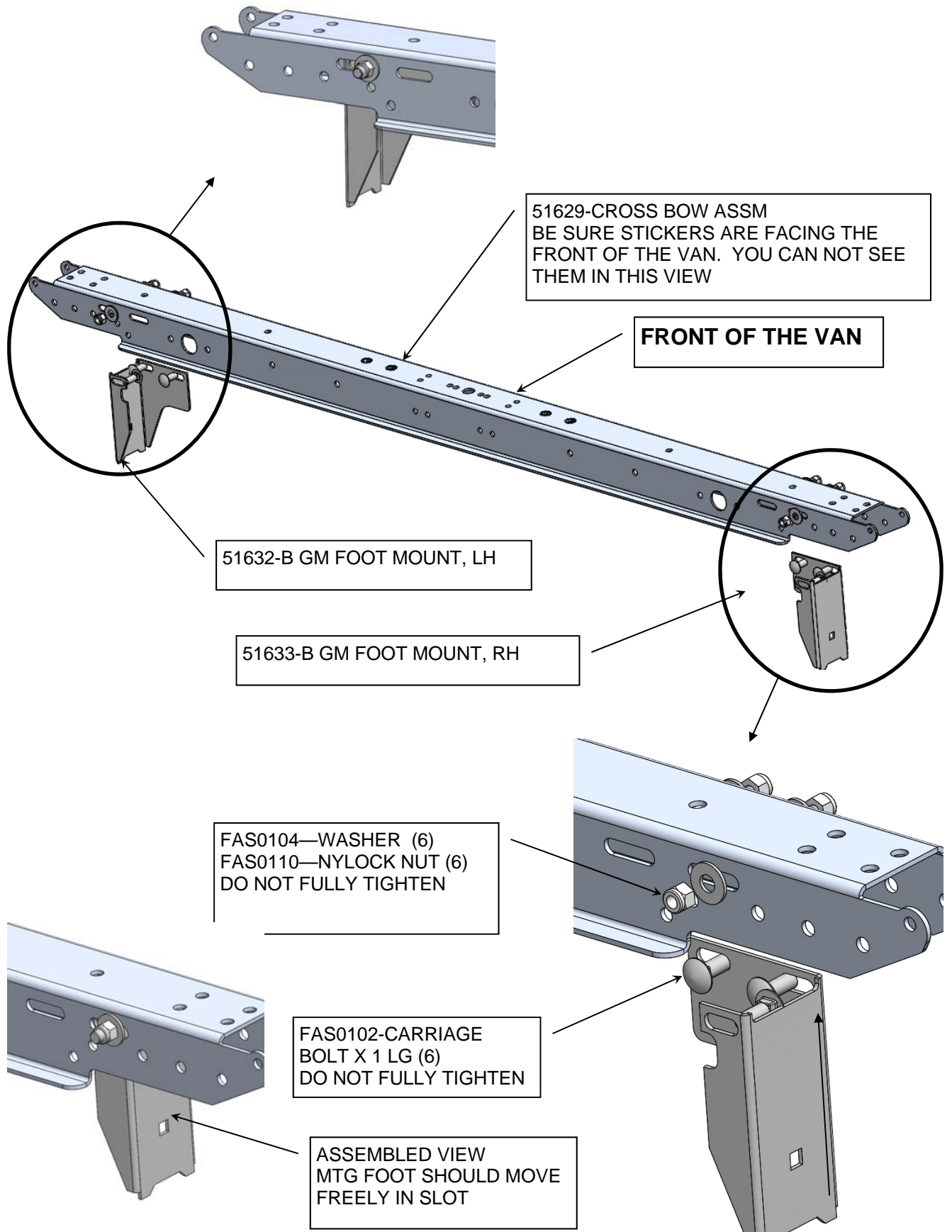


STEP #1 : ASSEMBLE REAR CROSS BOW



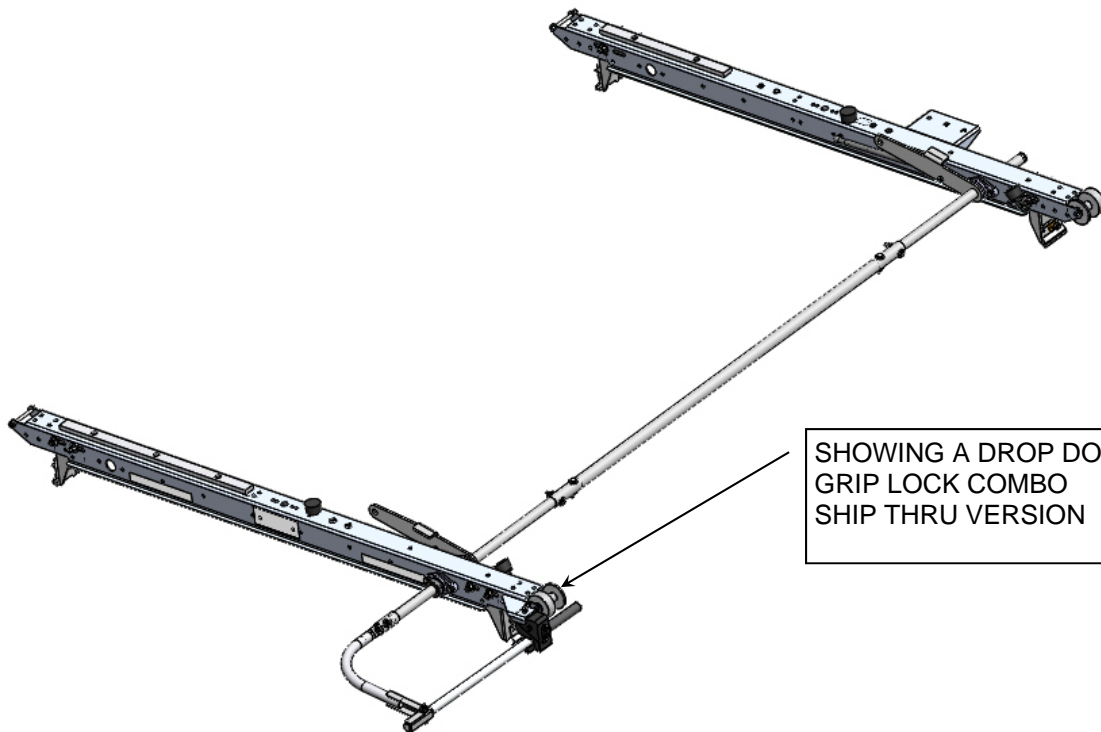


STEP #2 : ASSEMBLE FRONT CROSS BOW

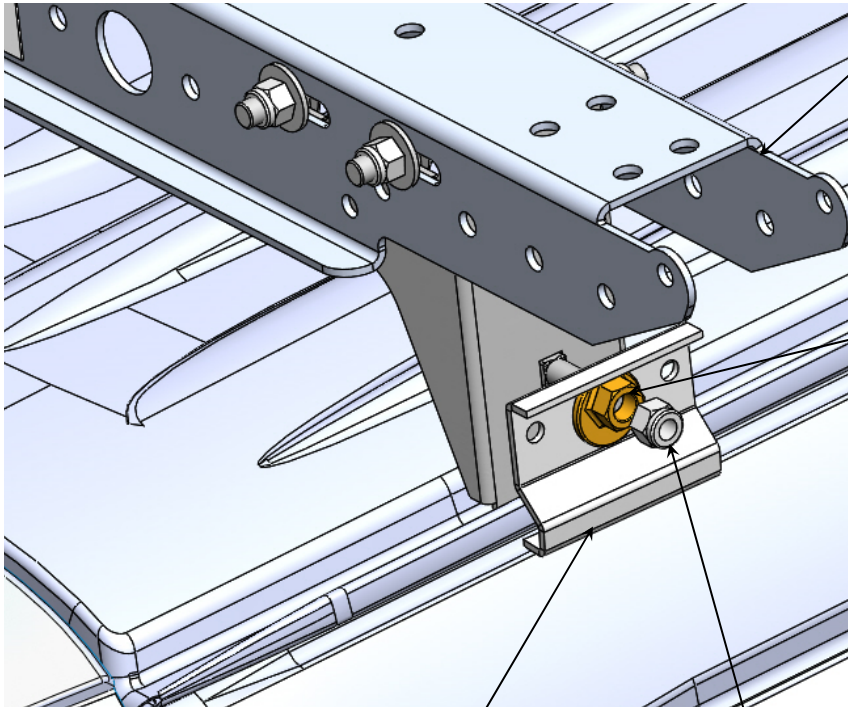




**STEP #3 : FOLLOWING THE DROP DOWN / GRIP LOCK INSTRUCTIONS,
ASSEMBLE WHAT YOU CAN PRIOR TO INSTALLING ON THE VEHICLE.**



STEP #4A : LOCATE AND ATTACH REAR CROSS BOW TO THE VEHICLE.



51629-REAR CROSS BOW ASSM HAS ASCO CENTER STICKER AND TWO SAFETY STICKERS

ROTATE CAM NUT CLOCKWISE TO TIGHTEN THE FOOT CLAMP AGAINST THE DRIP RAIL. NOW FIRMLY TIGHTEN THE 3/8 NYLOCK NUT

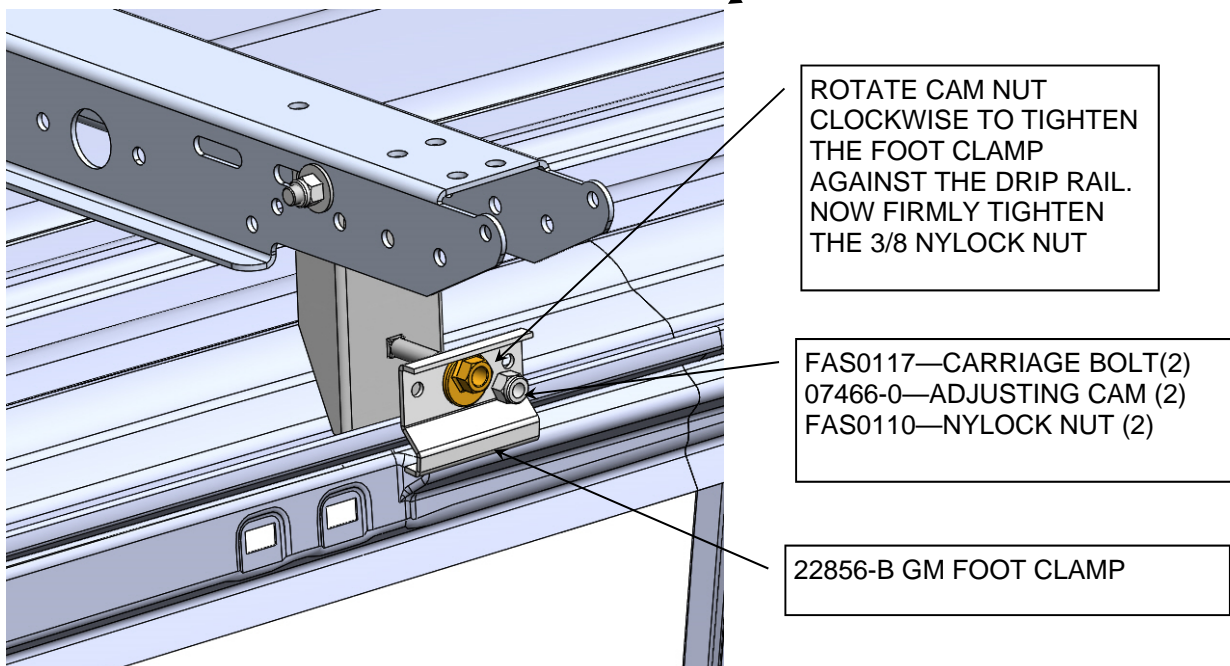
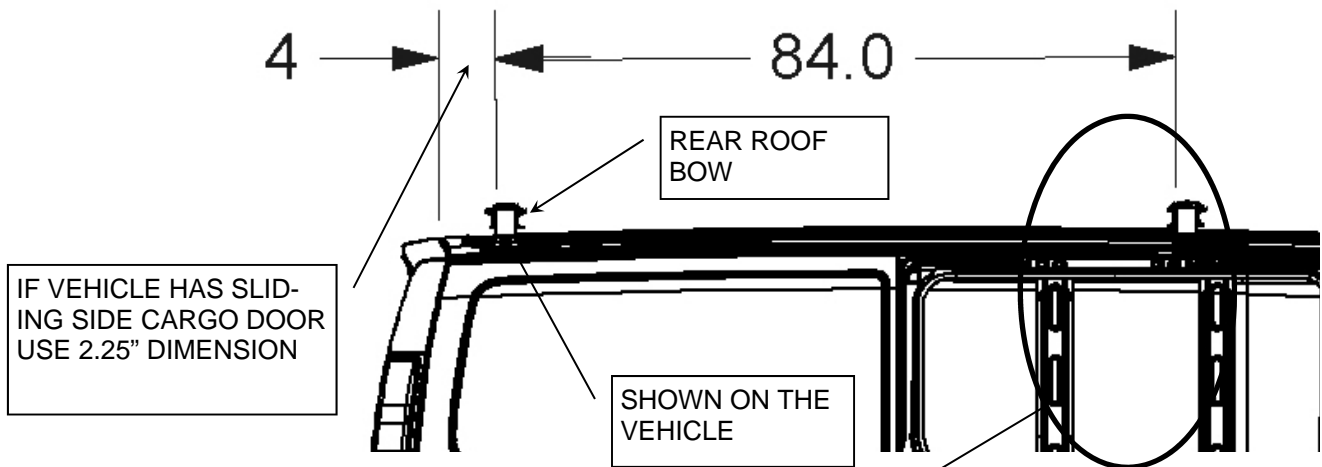
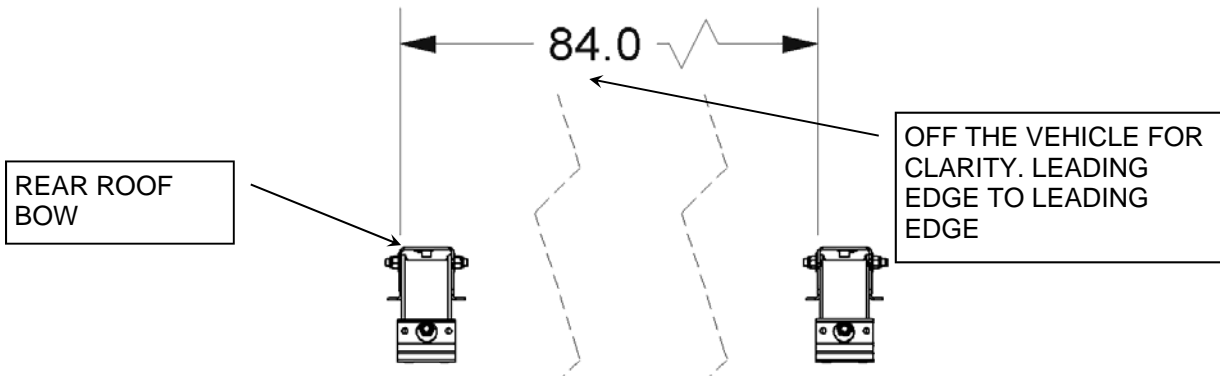
22856-B GM FOOT CLAMP

FAS0117—CARRIAGE BOLT (2)
07466-0—ADJUSTING CAM (2)
FAS0110—NYLOCK NUT (2)



REAR OF THE VAN

STEP #5 : LOCATE AND ATTACH FRONT CROSS BOW TO THE VEHICLE.



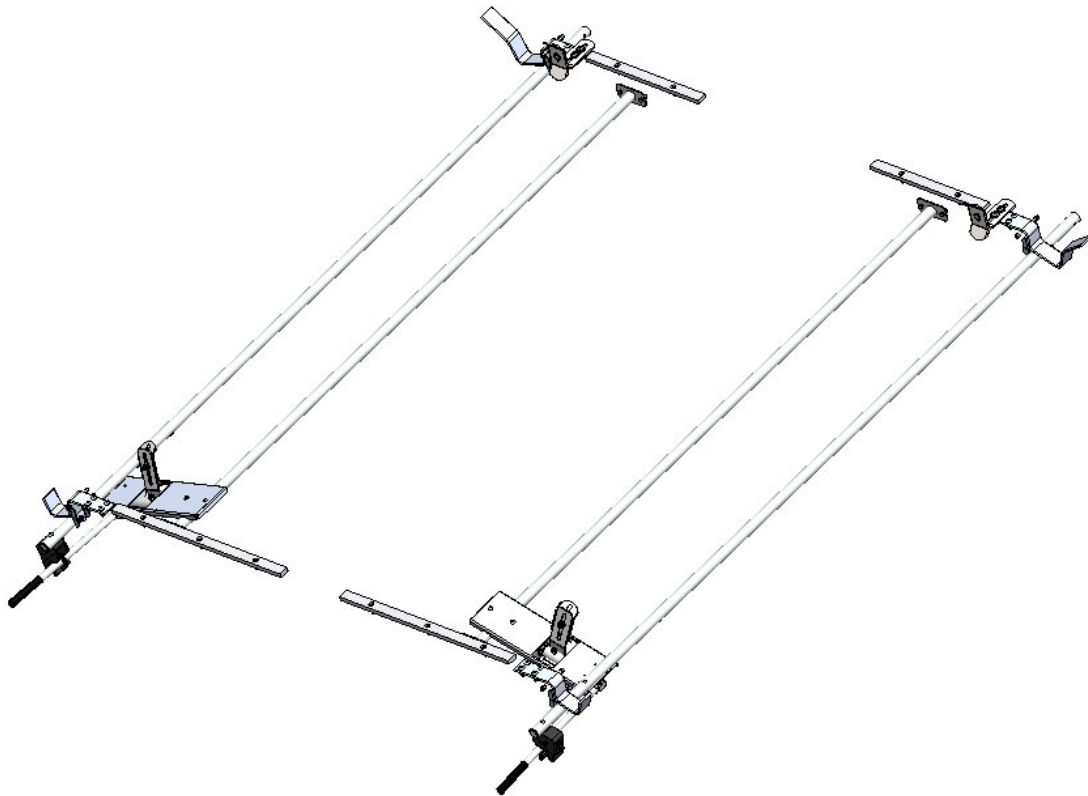
Introduction / Comments:

THIS GRIP LOCK IS DESIGNED TO ADAPT TO YOUR ROOF RAIL AND CROSS BOW KIT. SPECIFICALLY DESIGNED FOR THE LOW ROOF VEHICLES.

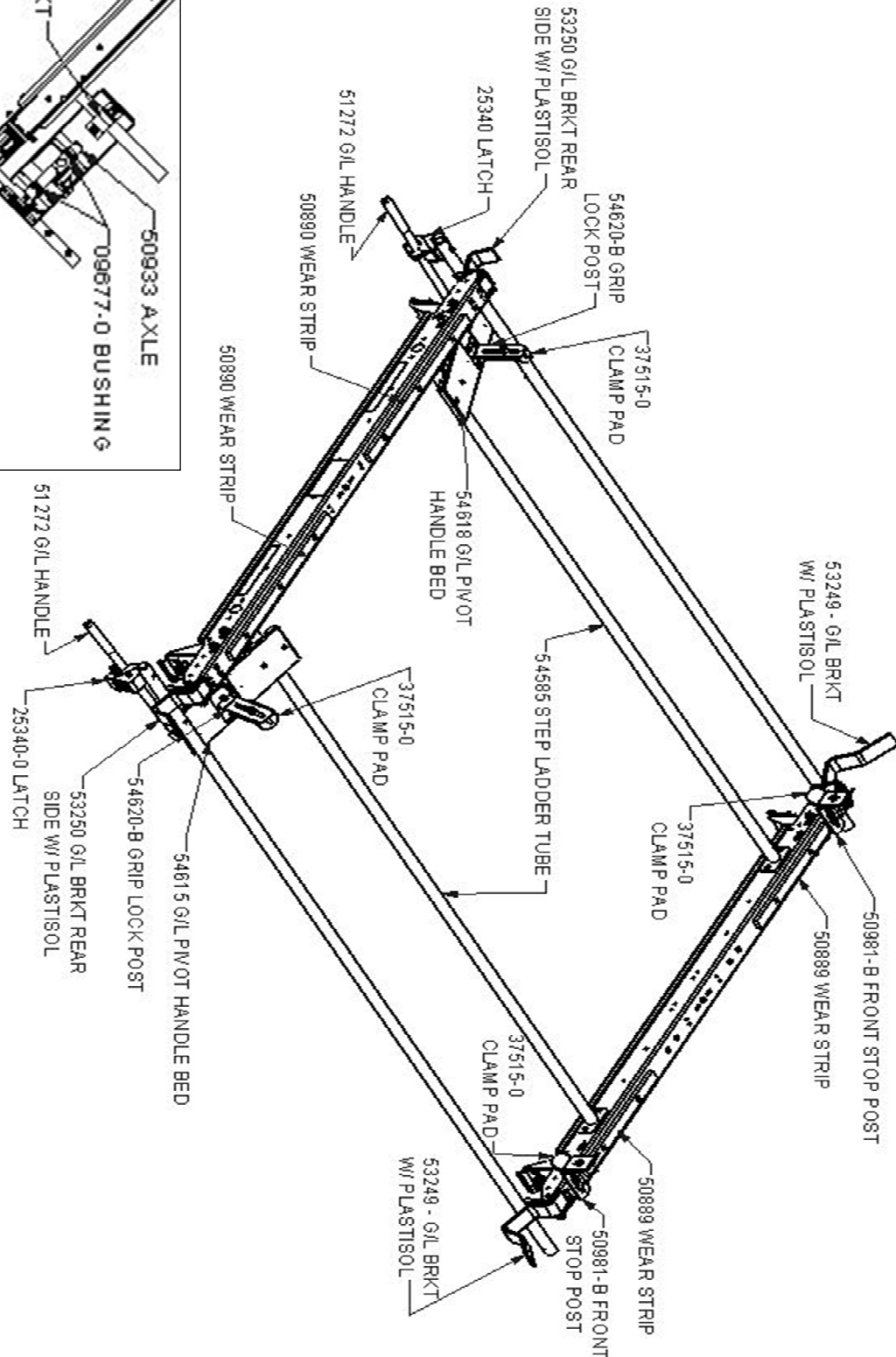
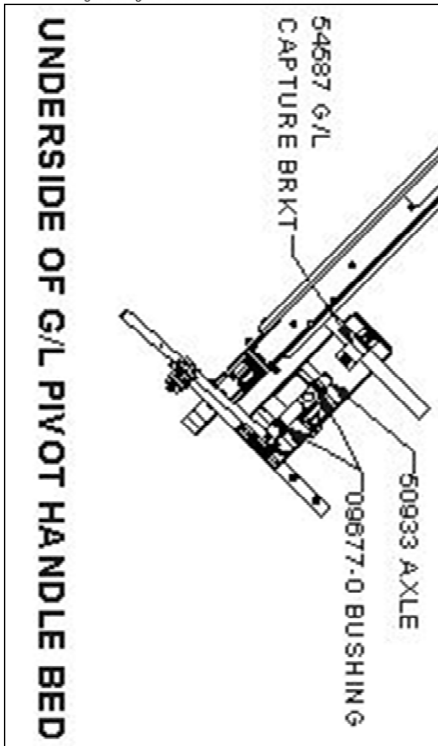
FOR A GM SIDE SLIDER DOOR, PLEASE ORDER A 55075 RISER KIT. THIS IS AVAILABLE UPON REQUEST. THESE FEET RAISE THE GRIP LOCK APPROX 2" AND CLEARS THE SIDE SLIDER DOOR. THIS ALSO COMES WITH A WIND DEFLECTOR AS RAISING THIS RACK CHANGED THE HARMONICS.

Note:

It is advised that all fasteners used in this assembly and installation of this Rack should be checked for tightness at the following intervals: @ 2-weeks and again @ 6-weeks of operation. This preventive maintenance step must be completed to ensure your package gives you long service life.



**61-GL2 SERIES / 63-GL2 SERIES
GRIP LOCK, SINGLE & DOUBLE
VARIOUS LOW ROOF VEHICLES**



- PRECAUTIONS -



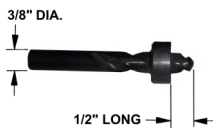
CAUTION
THE USE OF AIR IMPACT TOOLS CAN
OVER-TORQUE FASTENERS AND
CAUSE FASTENER FAILURE!



CAUTION
ALL INSTALLATION HOLES SHOULD BE SEALED
WITH SILICON OR BUTYL SEALANT TO PREVENT
EXHAUST FUMES FROM ENTERING THE VEHICLE!



DANGER
INSPECT FOR FUEL TANK, FUEL LINES, BRAKE LINES, HIGH
VOLTAGE BATTERIES AND ELECTRICAL LINES PRIOR TO
DRILLING TO AVOID DAMAGING CRITICAL VEHICLE SYSTEMS
OR INJURY TO INSTALLER DURING INSTALLATION PROCESS!



CAUTION
TO AVOID DAMAGING THE VEHICLE ALWAYS USE DRILL
STOPS WHEN DRILLING ANY INSTALLATION HOLES!
ADRIAN AVAILABLE PART #'S 31119-0 (3/8" X 1/2"
DEEP), 31121-0 (1/2" X 1/2" DEEP)



- IMPORTANT WARRANTY REQUIREMENTS -

1. SUBSTITUTING ADRIAN STEEL SPECIFIED FASTENERS FOR ASSEMBLY AND/OR INSTALLATION WILL VOID YOUR PRODUCT WARRANTY.
2. ALL HOLES DRILLED INTO VEHICLE SHOULD HAVE THE RAW METAL EDGES SEALED WITH A SELF-ETCHING PRIMER TO RESIST CORROSION AND POTENTIAL FASTENER POINT FAILURE.
3. ALL FASTENERS USED IN THE INSTALLATION OF THIS PRODUCT SHOULD BE TIGHTENED TO THE TORQUE(S) SPECIFIED IN THESE INSTRUCTIONS.
4. THESE INSTRUCTIONS SHOULD BE KEPT WITH THE VEHICLE.

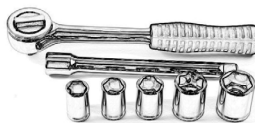
THE BASIC TOOLS NEEDED FOR MOST INSTALLATIONS



DRILL



DRILL BIT WITH
STOP



RATCHET, SOCKETS
AND/OR WRENCHES



SCREWDRIVERS

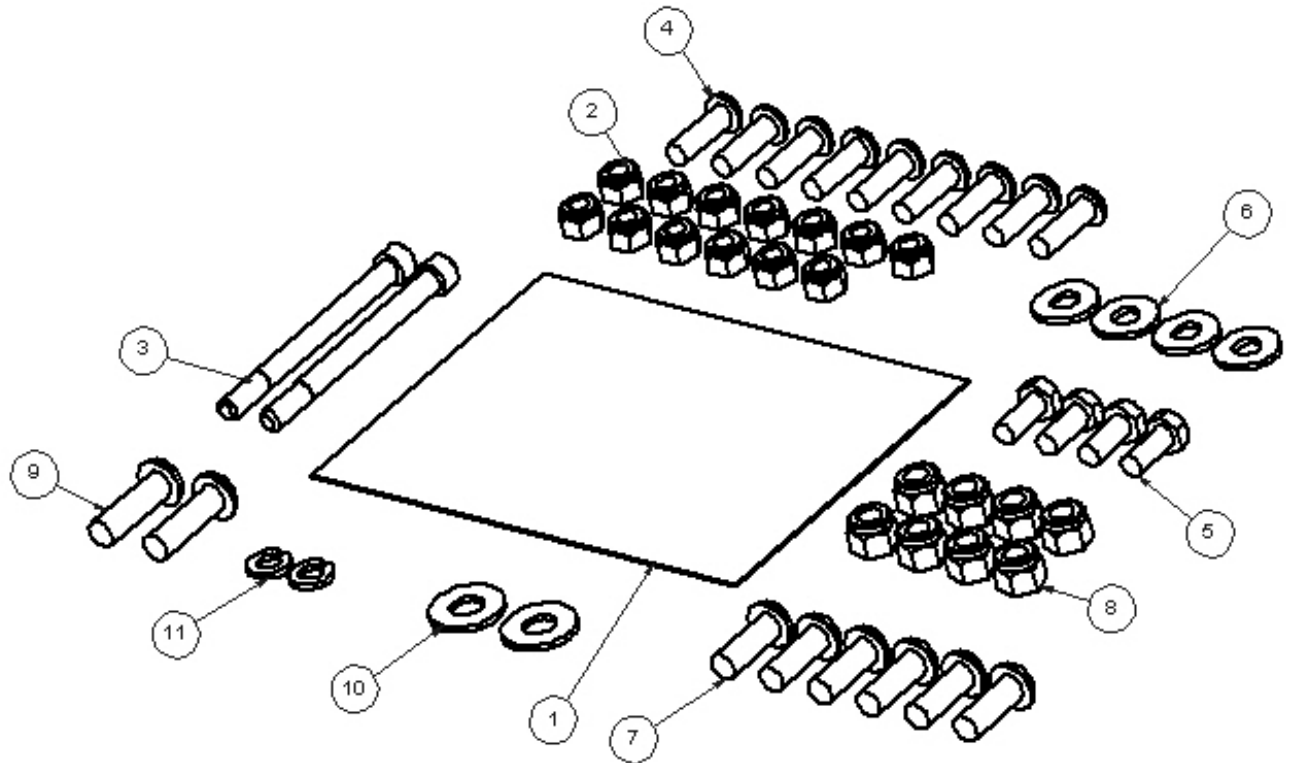


MEASURING TAPE

ADDITIONAL TOOLS MAY BE NEEDED FOR THIS INSTALLATION AND THEY WILL BE IDENTIFIED IN THE STEPS THAT FOLLOW.

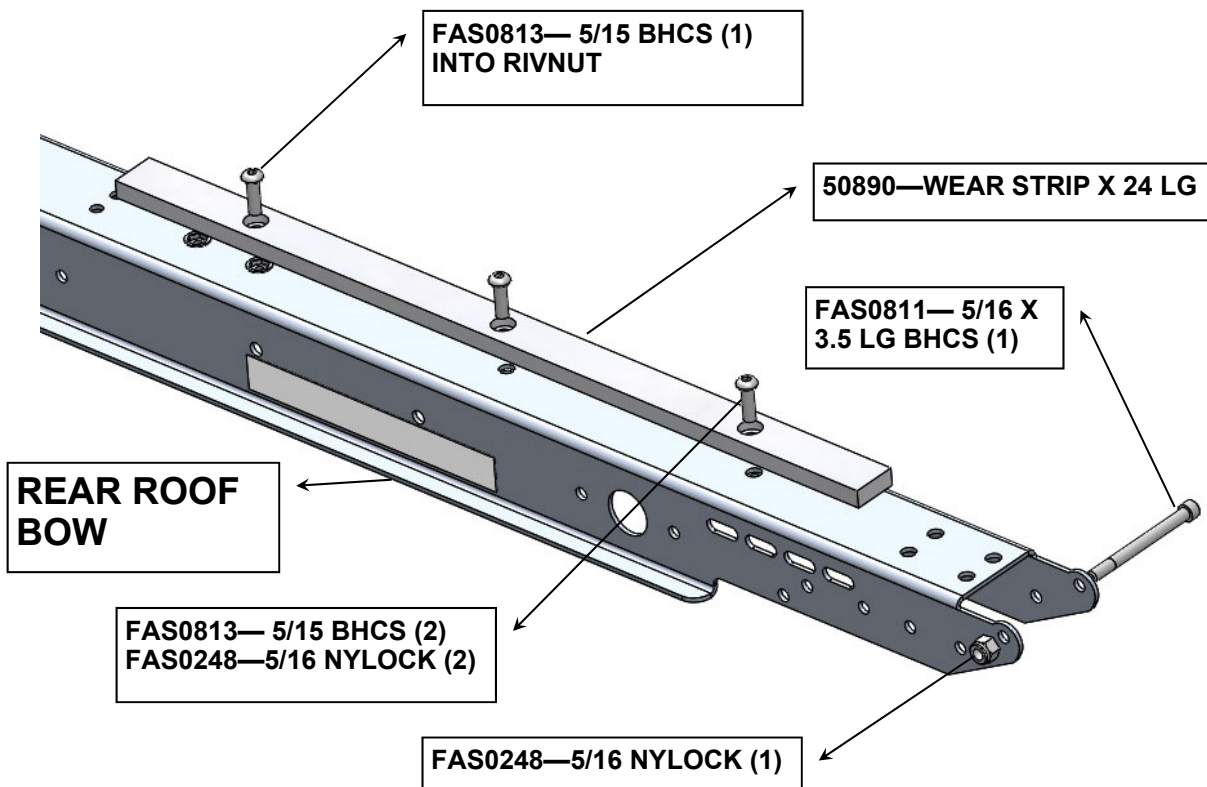
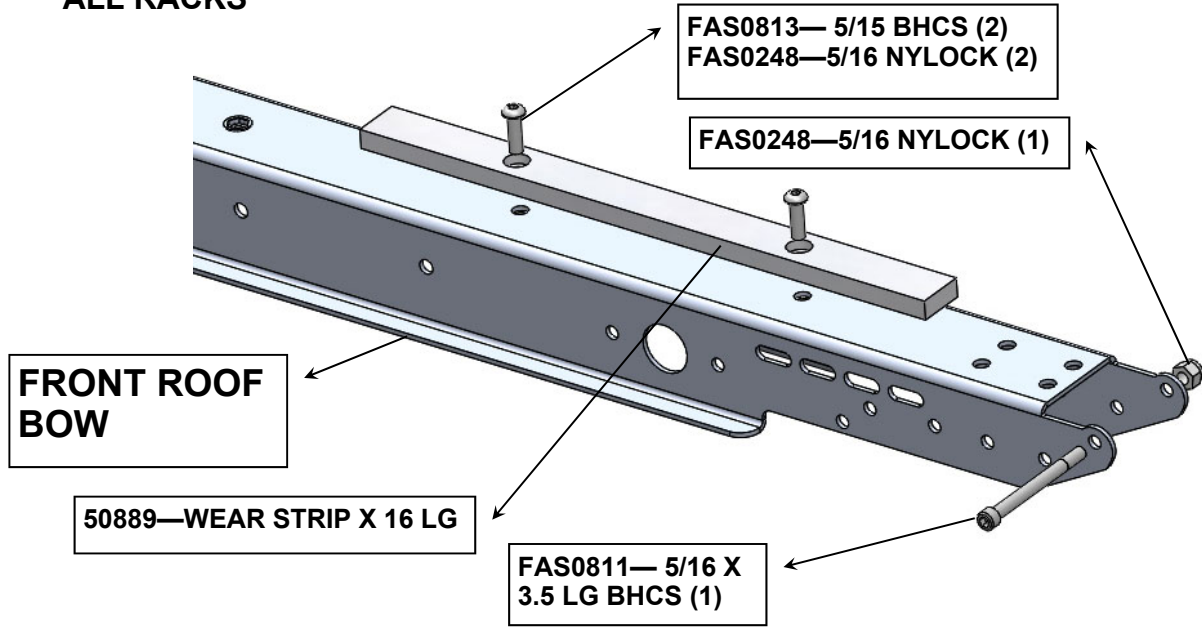
BAG54629 - FASTENER BAG

ITEM NO.	PART NUMBER	DESCRIPTION	QTY.
1	BAG0507-A	5" x 7" 3MIL AUTOBAG	1
2	FAS0248	Nut, Nylon Insert Lock, 5/16-18 SST	13
3	FAS0811	SCREW,CAP, 5/16-18X3.50 SS	2
4	FAS0813	Screw, BHCS, 5/16-18X1.00, SS	9
5	FAS0799	Screw, Hex Hd, 5/16-18x0.75 SS	4
6	FAS0552	Washer, Flat, 5/16, SST	4
7	FAS0820	SCREW,BHCS 3/8-16X1.0 SS	6
8	FAS0110	Nut,Hex Nylk 3/8-16 SS W	8
9	FAS0701	Screw,BHCS 3/8-16x1.25 SS	2
10	FAS 0720	Washer,Flat 3/8 SS	2
11	FAS0588	Washer, Lock, Split, 5/16, SS	2



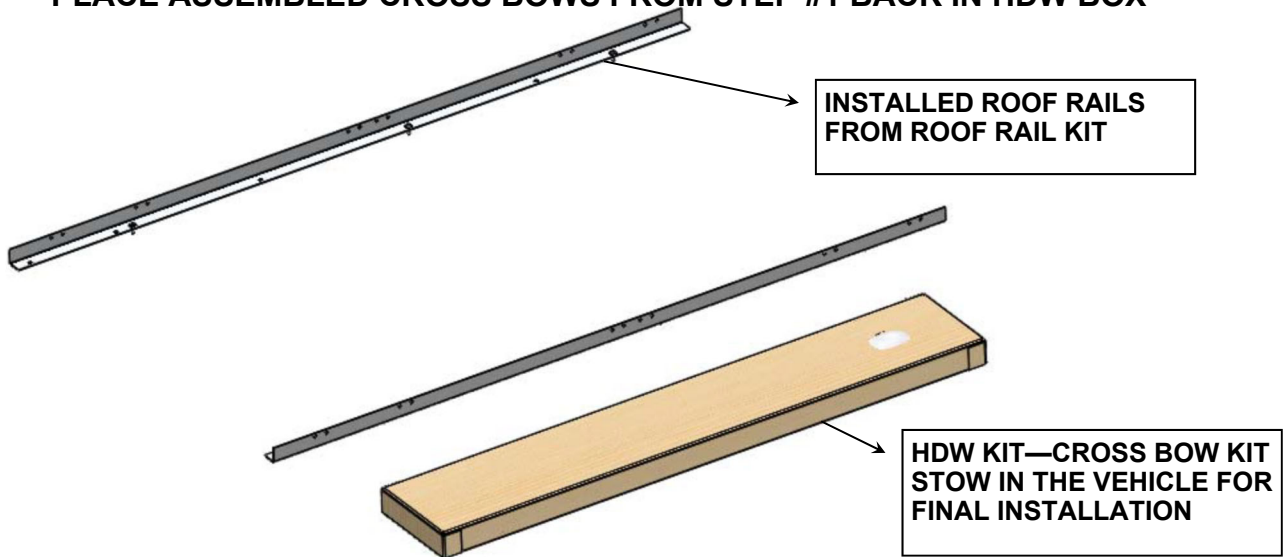


**STEP #1A : ASSEMBLE CURB SIDE WEAR STRIPS TO THE ROOF BOWS
ALL RACKS**

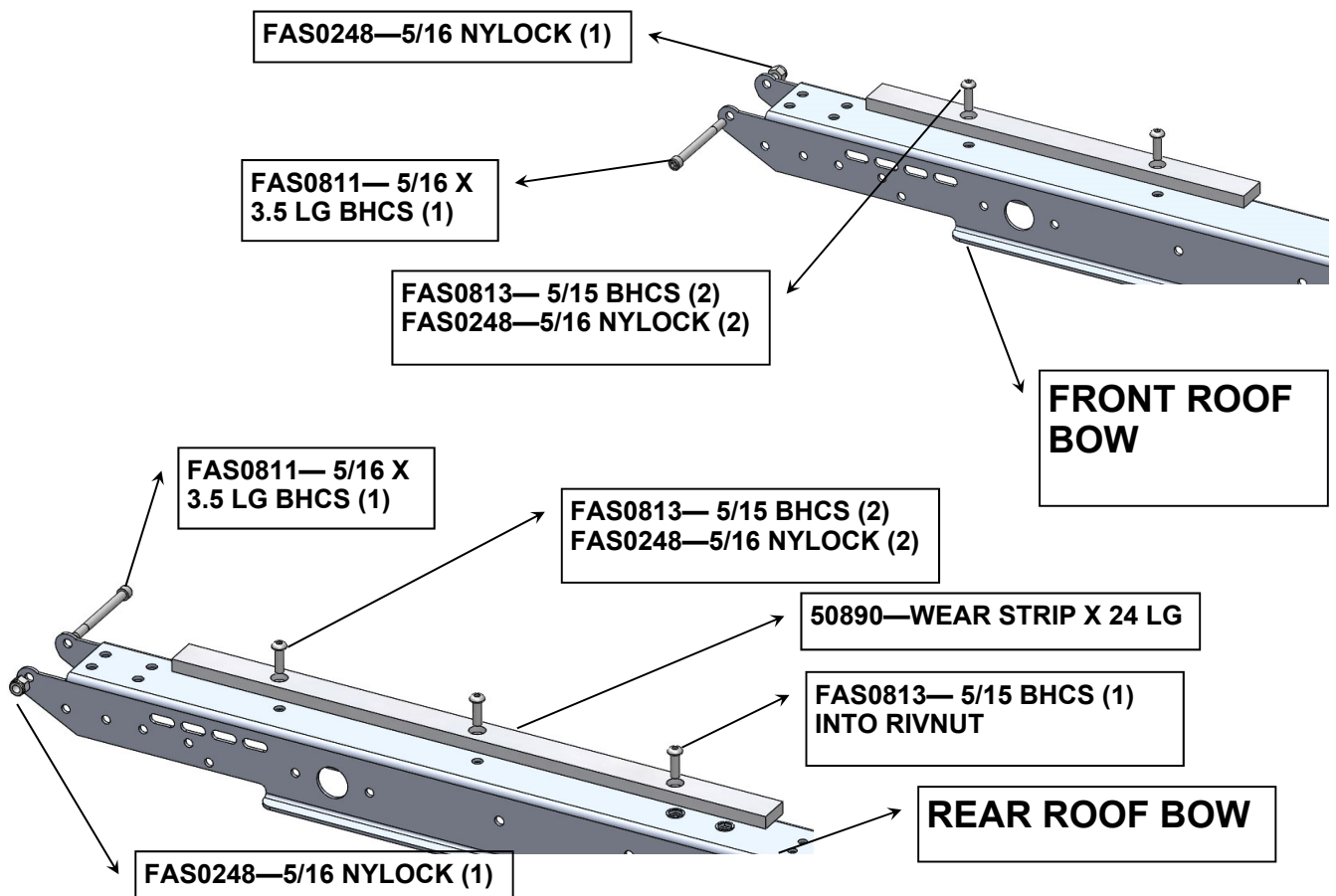




**STEP #1B : THIS IS THE FINISHED CURB SIDE ASSEMBLY FOR A FORD TRANSIT SHIP THRU RACK.
CONTINUE TO STEP #3 FOR A DOUBLE GRIP LOCK (ANOTHER KIT)
PLACE ASSEMBLED CROSS BOWS FROM STEP #1 BACK IN HDW BOX**

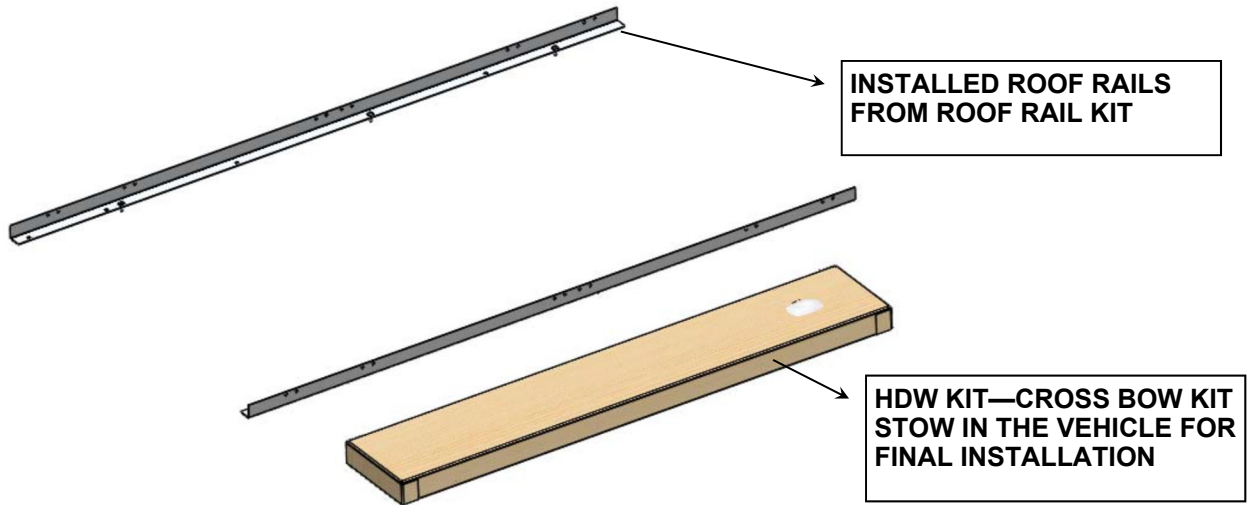


**STEP #2A : ALL RACKS, ASSEMBLE STREET SIDE WEAR STRIPS TO THE ROOF BOWS.
THIS IS ALL THAT CAN BE INSTALLED FOR THE TRANSIT SHIP THRU—
STOW THE REMAINDER OF THE PARTS FOR FINAL INSTALL.**

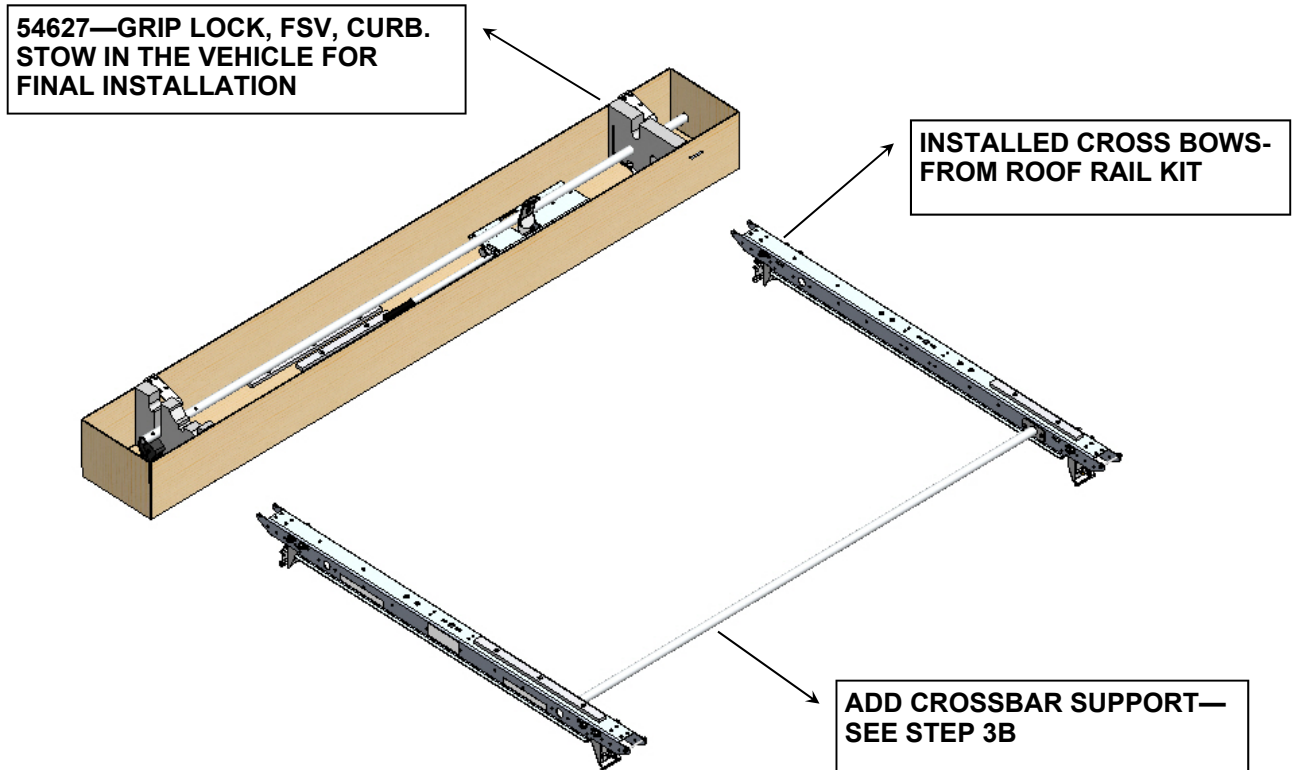




**STEP #2B : FOR A FORD TRANSIT SHIP THRU ONLY—THIS IS THE COMPLETED ASSEMBLY OF A DOUBLE GRIP LOCK.
PLACE ASSEMBLED CROSS BOWS FROM STEP #1 & 3 BACK IN HDW BOX
CONTINUE TO STEP 5 FOR A COMPLETE ASSEMBLY / INSTALL**

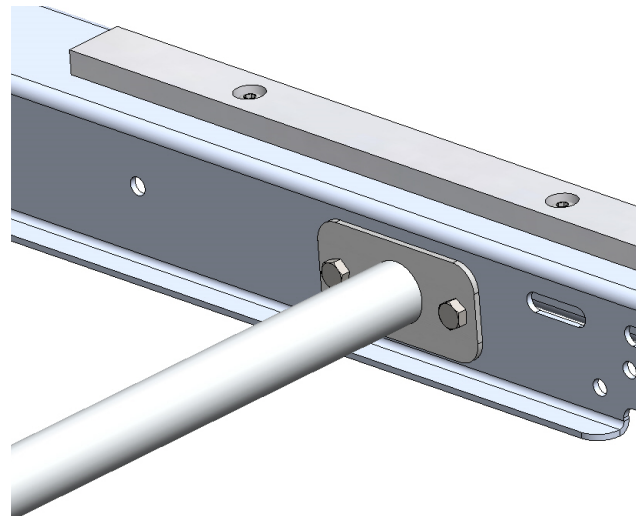
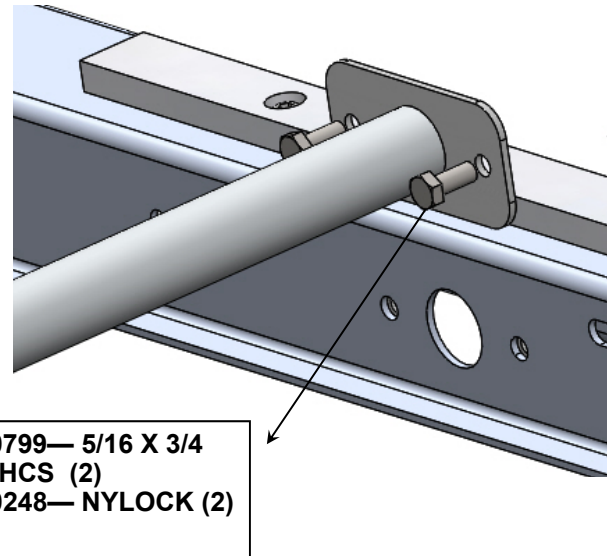
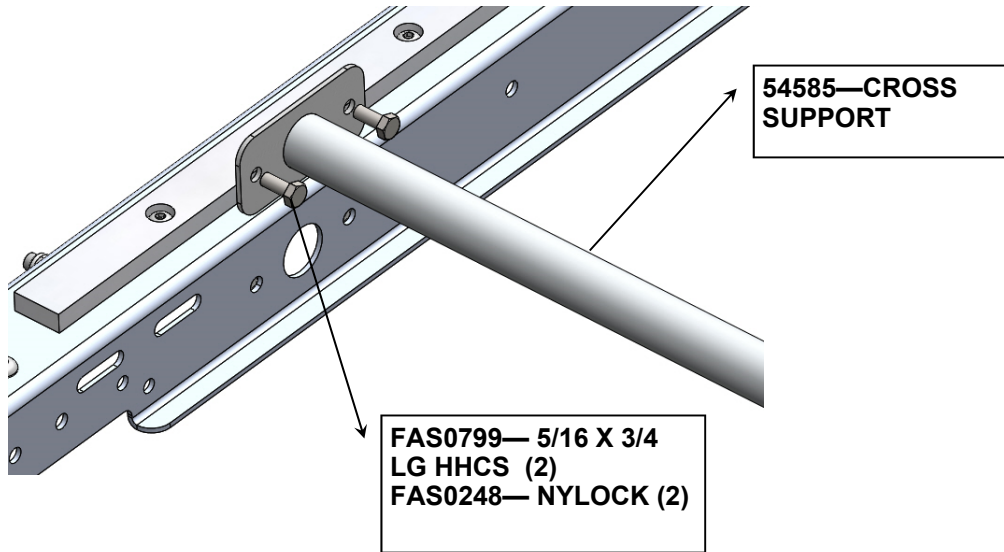


**STEP #3A : GM SHIP THRU ONLY—SINGLE GRIP LOCK
THIS IS THE COMPLETED ASSEMBLY**



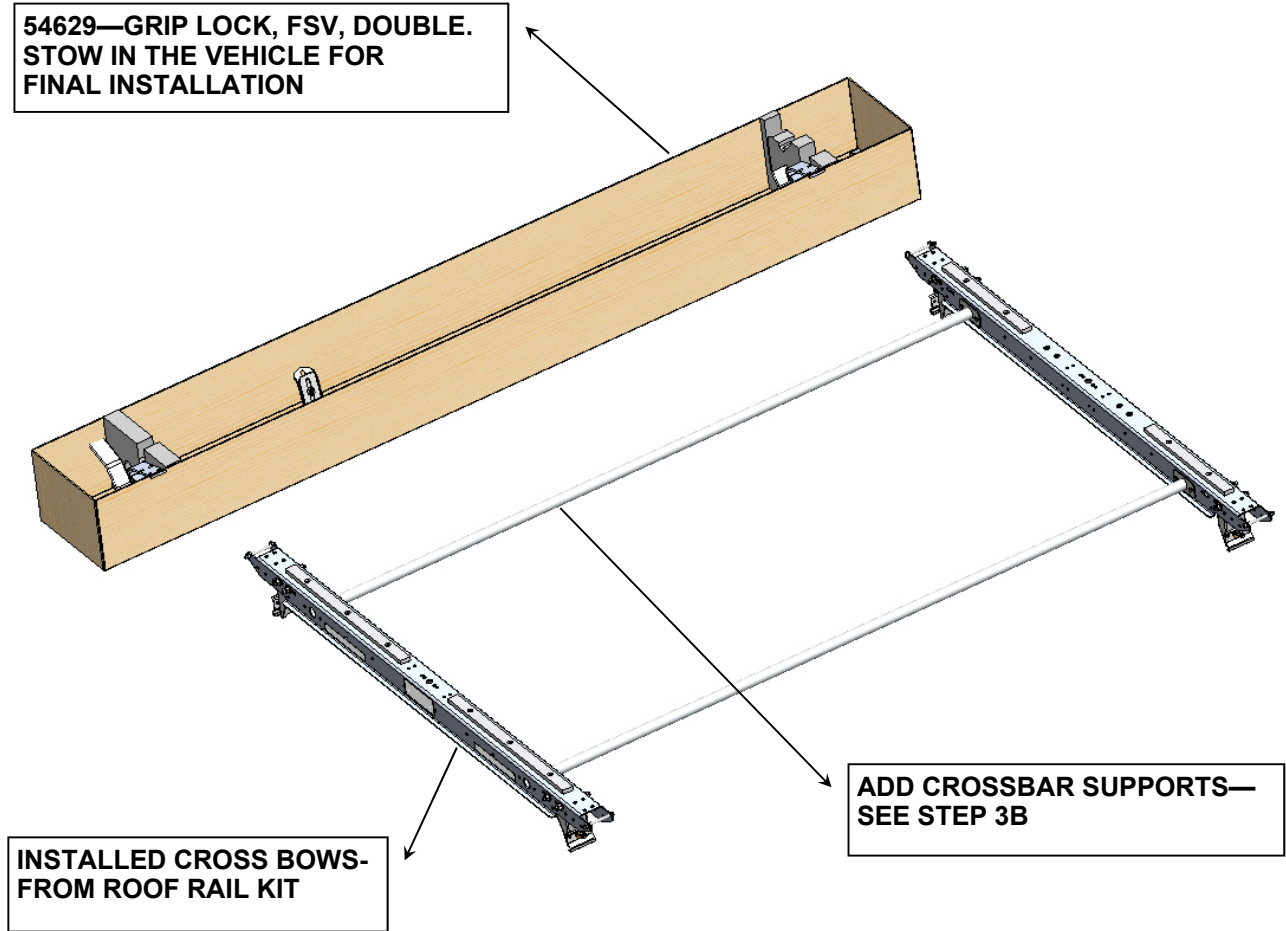


STEP #3B: ADD CROSS SUPPORT FOR SLIDE BED

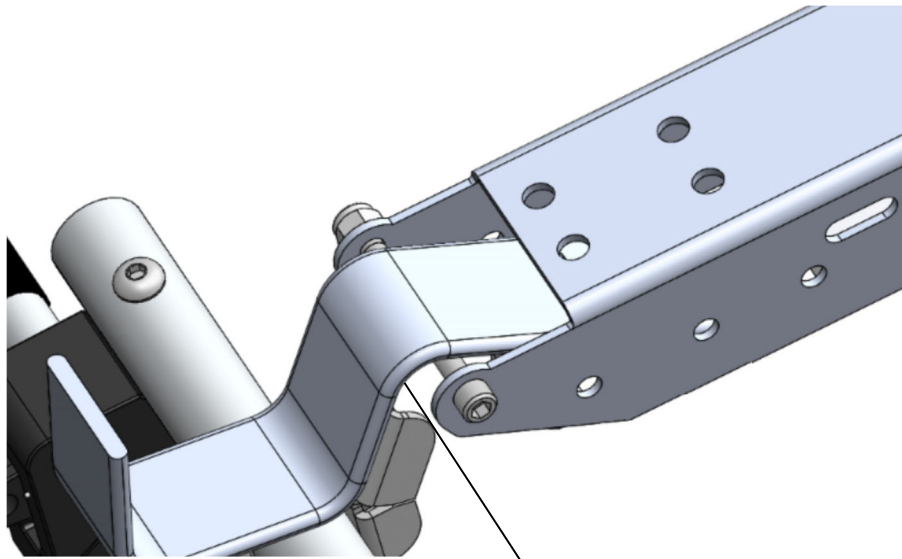




**STEP #4A : GM SHIP THRU ONLY—DOUBLE GRIP LOCK
THIS IS THE COMPLETED ASSEMBLY**



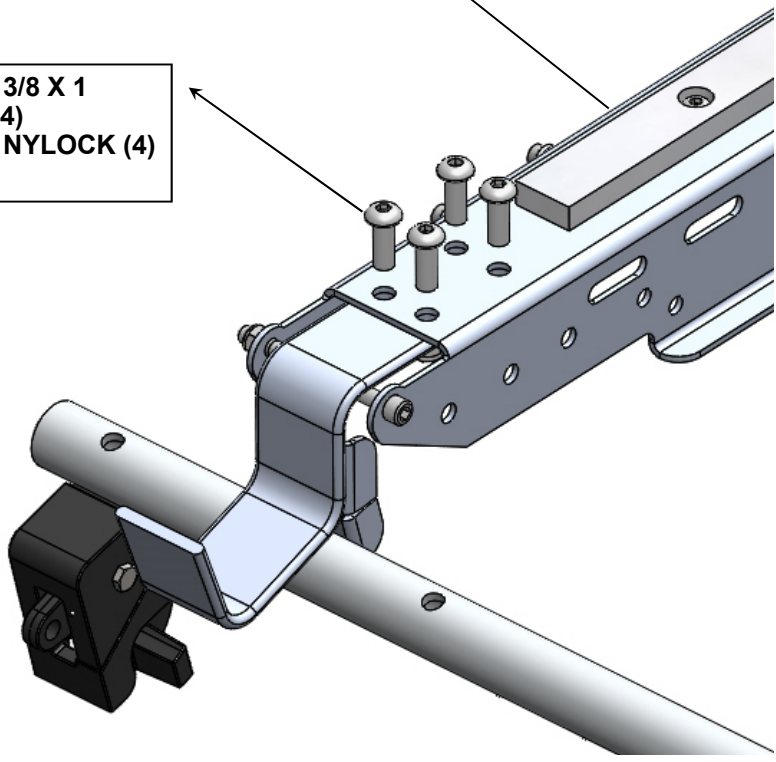
STEP #5 : INSTALL CURB SIDE SUB ASSEMBLY ON THE ROOF BOWS



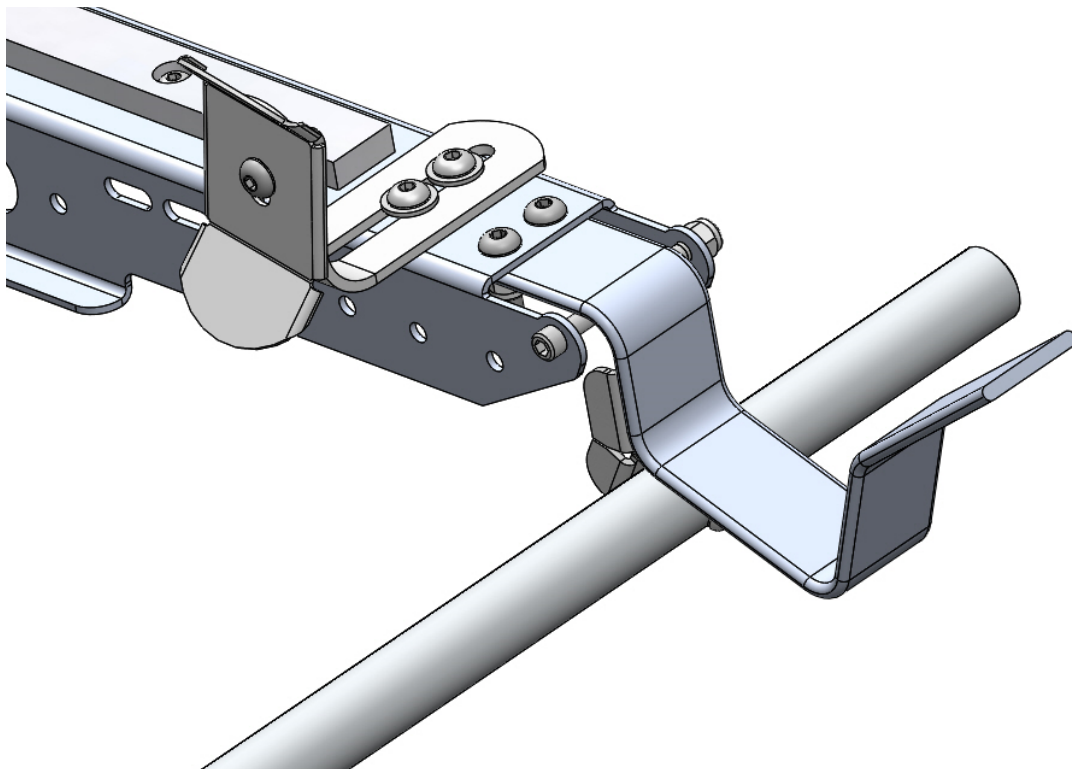
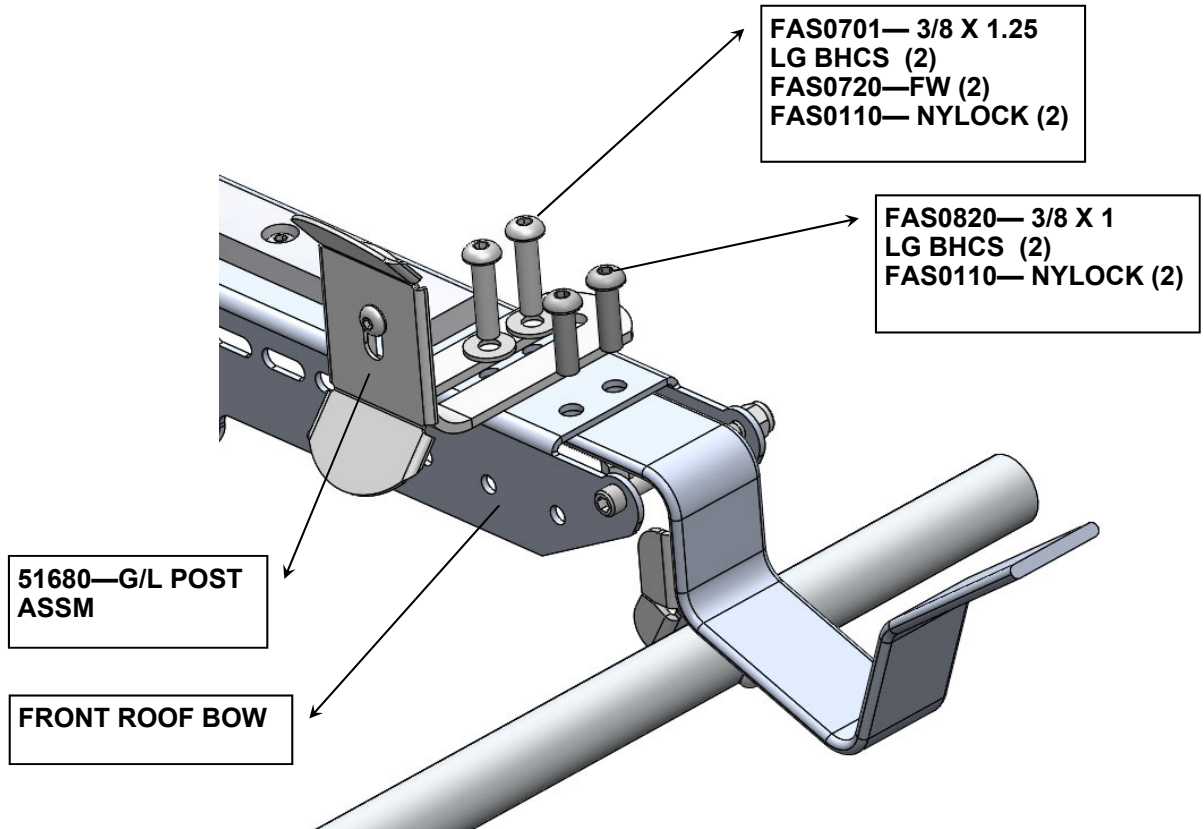
**PIVOT AND PUT
GRIP LOCK HOOKS
INTO ROOF BOWS**

REAR ROOF BOW

**FAS0820— 3/8 X 1
LG BHCS (4)
FAS0110— NYLOCK (4)**

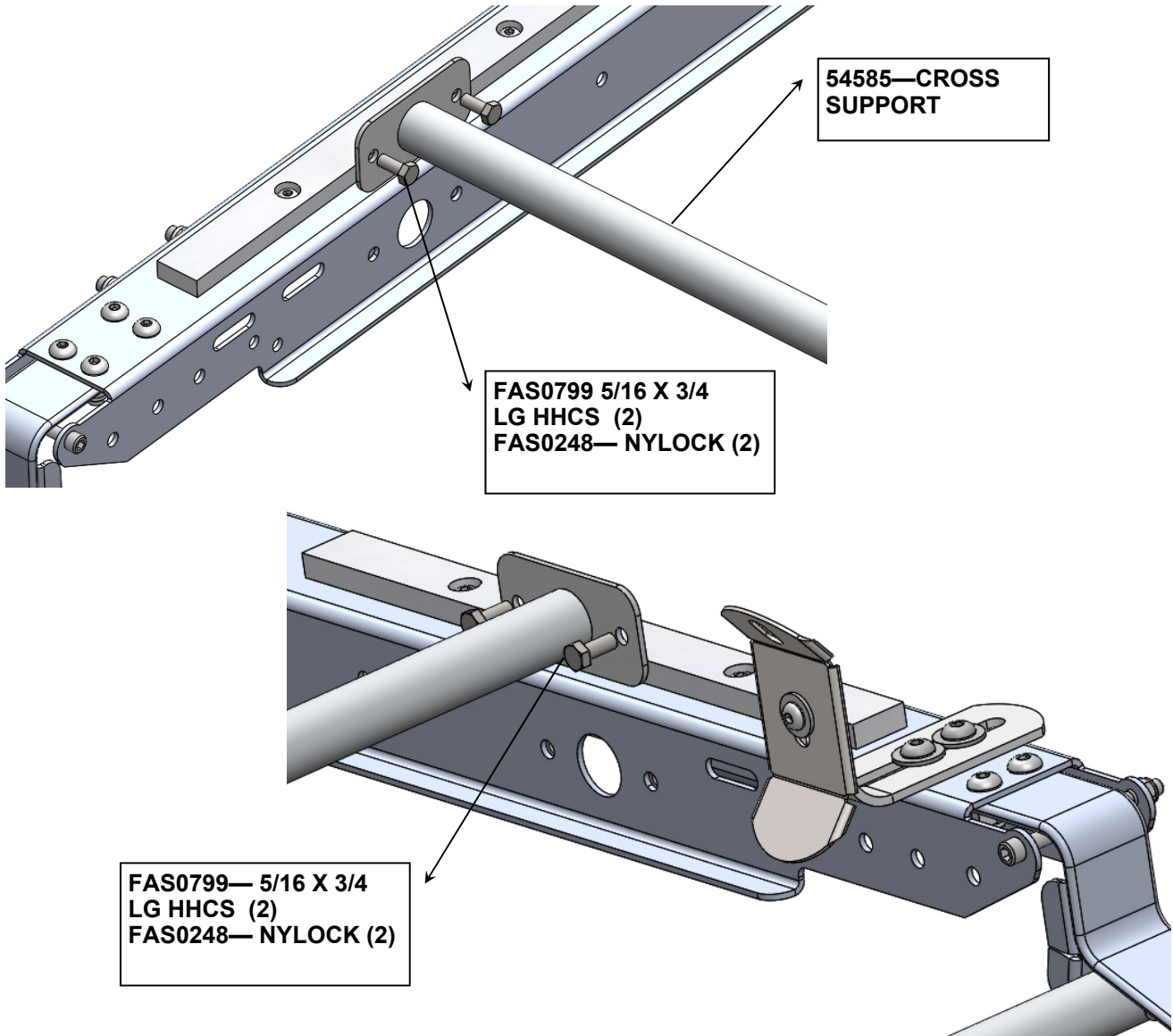


STEP #6: FRONT ROOF BOW ASSEMBLY –CURB SIDE

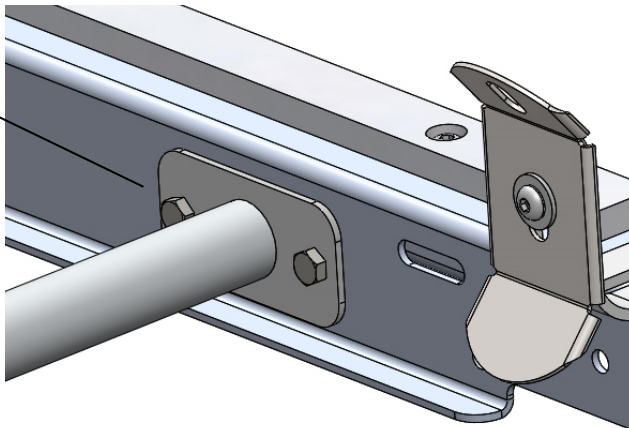




STEP #6: ADD CROSS SUPPORT FOR SLIDE BED –CURB SIDE

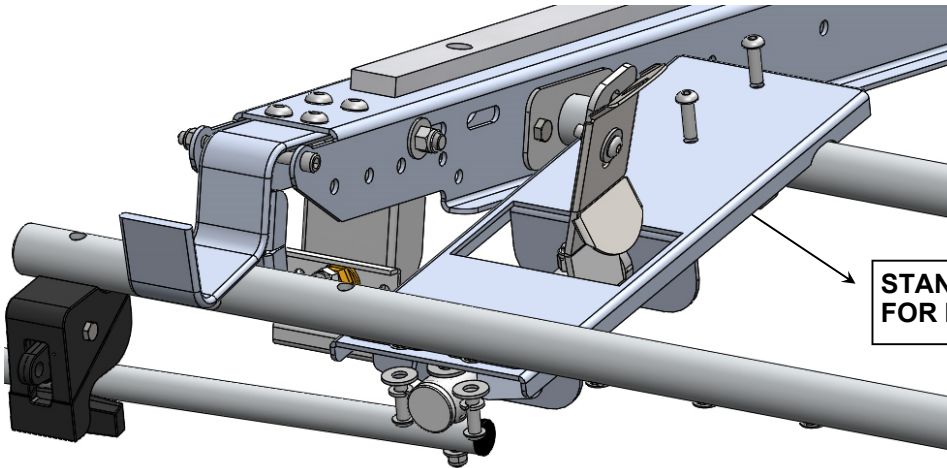


INSTALLED VIEW

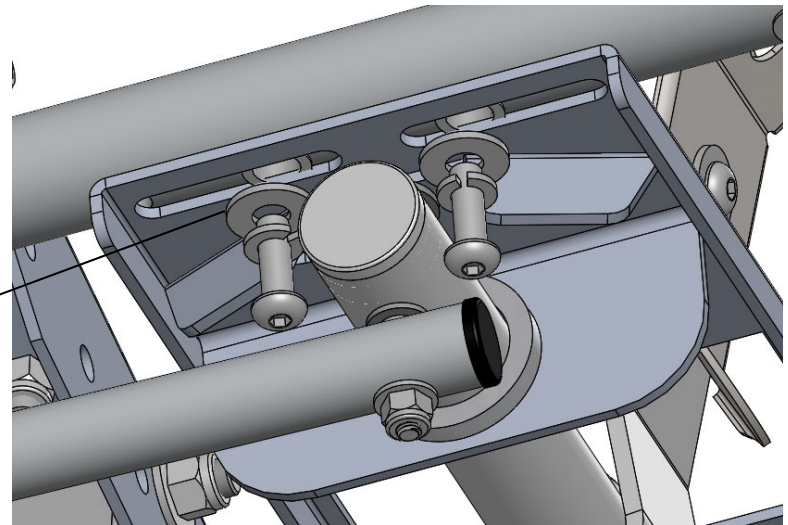




STEP #7A: EXTENSION LADDER—ADD BED SLIDE TO THE CROSS SUPPORT – CURB SIDE.

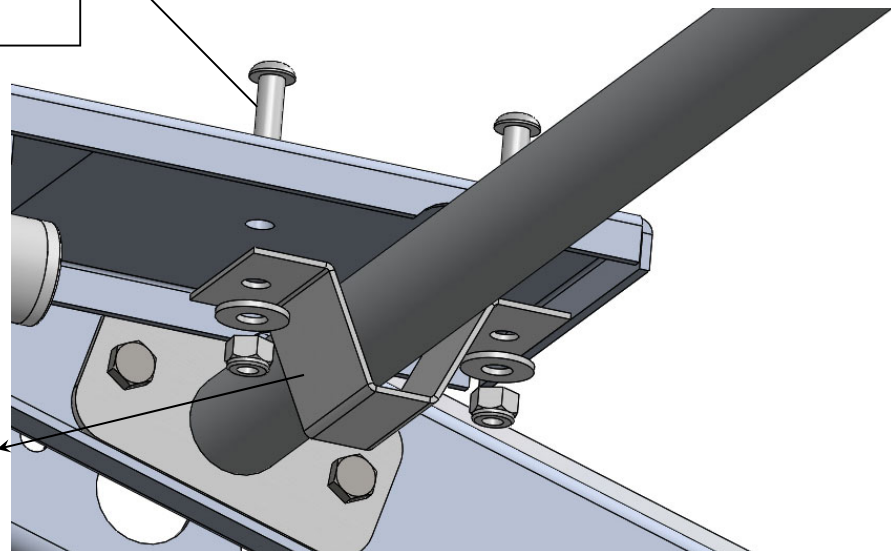


STANDARD LOCATION FOR EXTENSION LADDERS



**FAS0813— 5/16 X1 LG BHCS (2)
FAS0588-LW (2)
FAS0552— FW (2)**

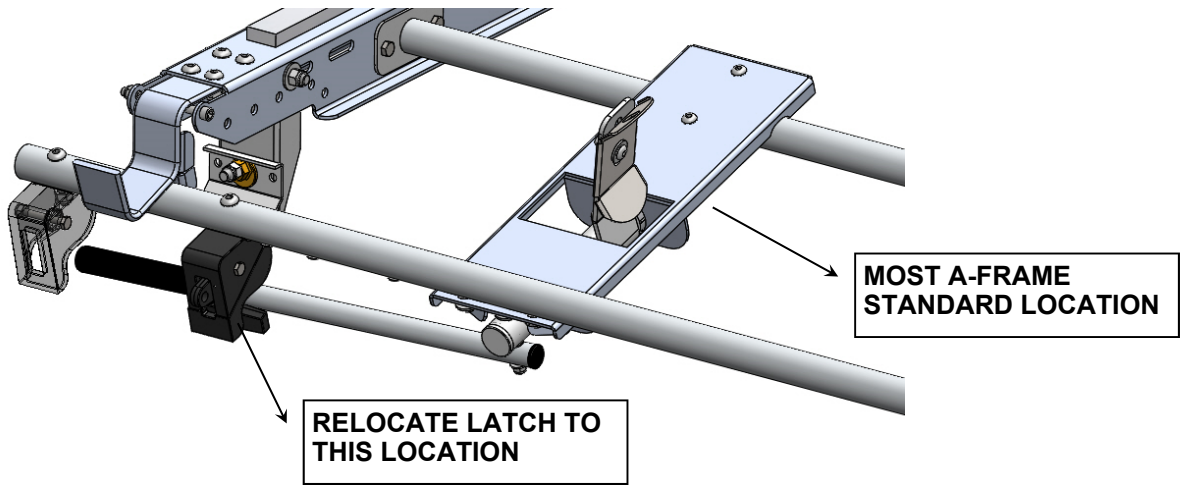
**FAS0813— 5/16 X1 LG BHCS (2)
FAS0552— FW (2)
FAS0248-NYLOCK (2)**



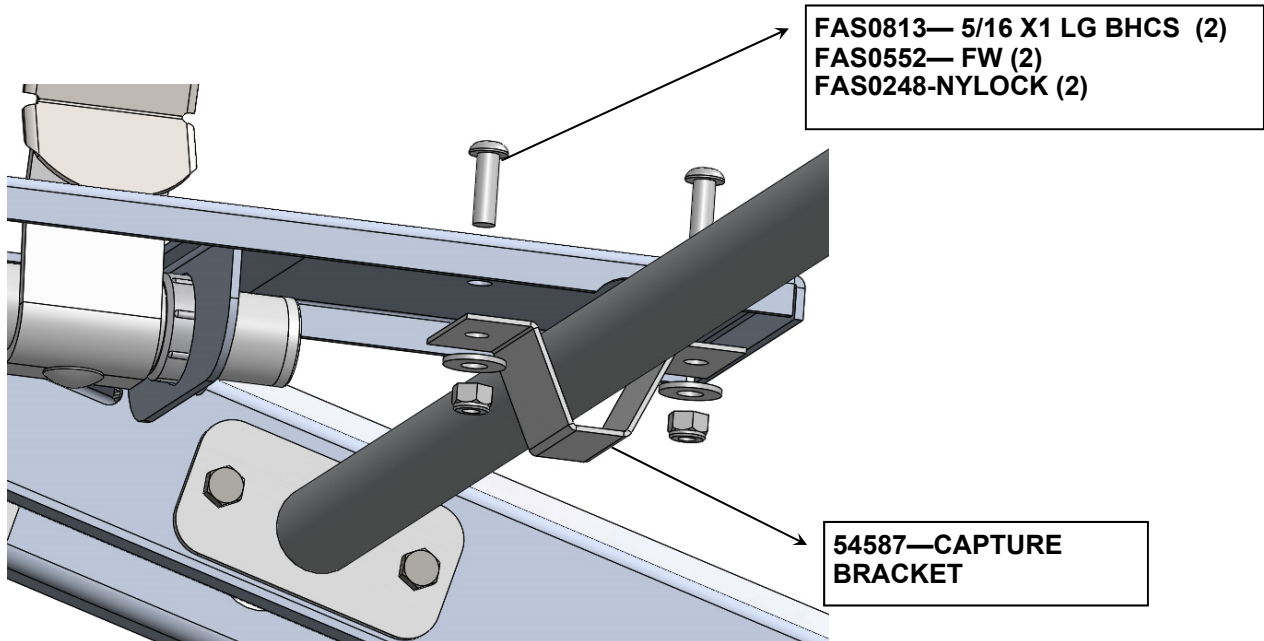
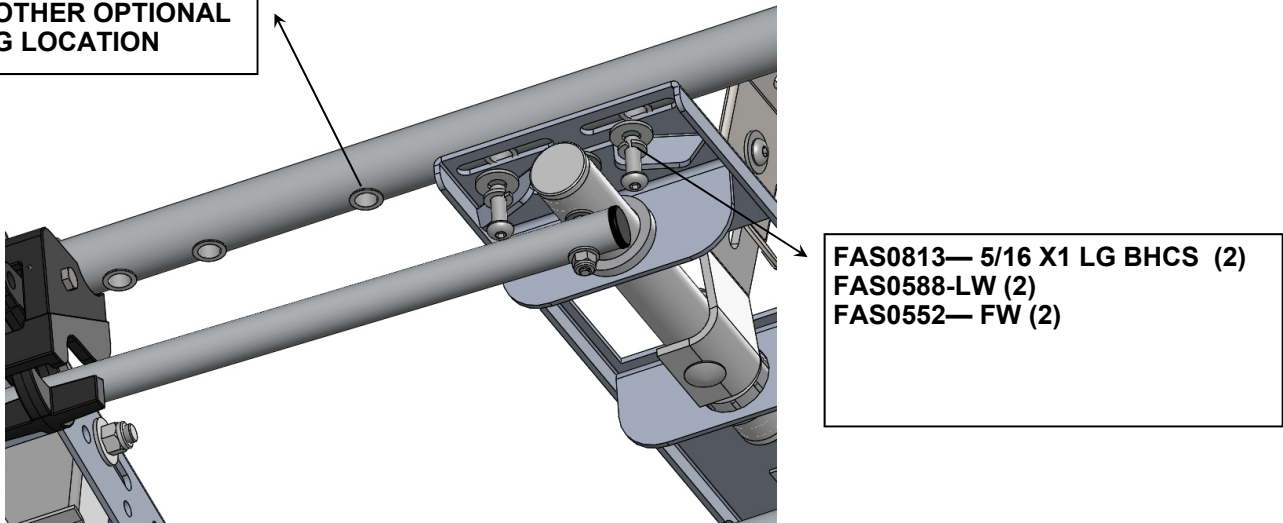
54587—CAPTURE BRACKET



**STEP #7B: A-FRAME LADDER— ADD BED SLIDE TO THE CROSS SUPPORT
—CURB SIDE.**

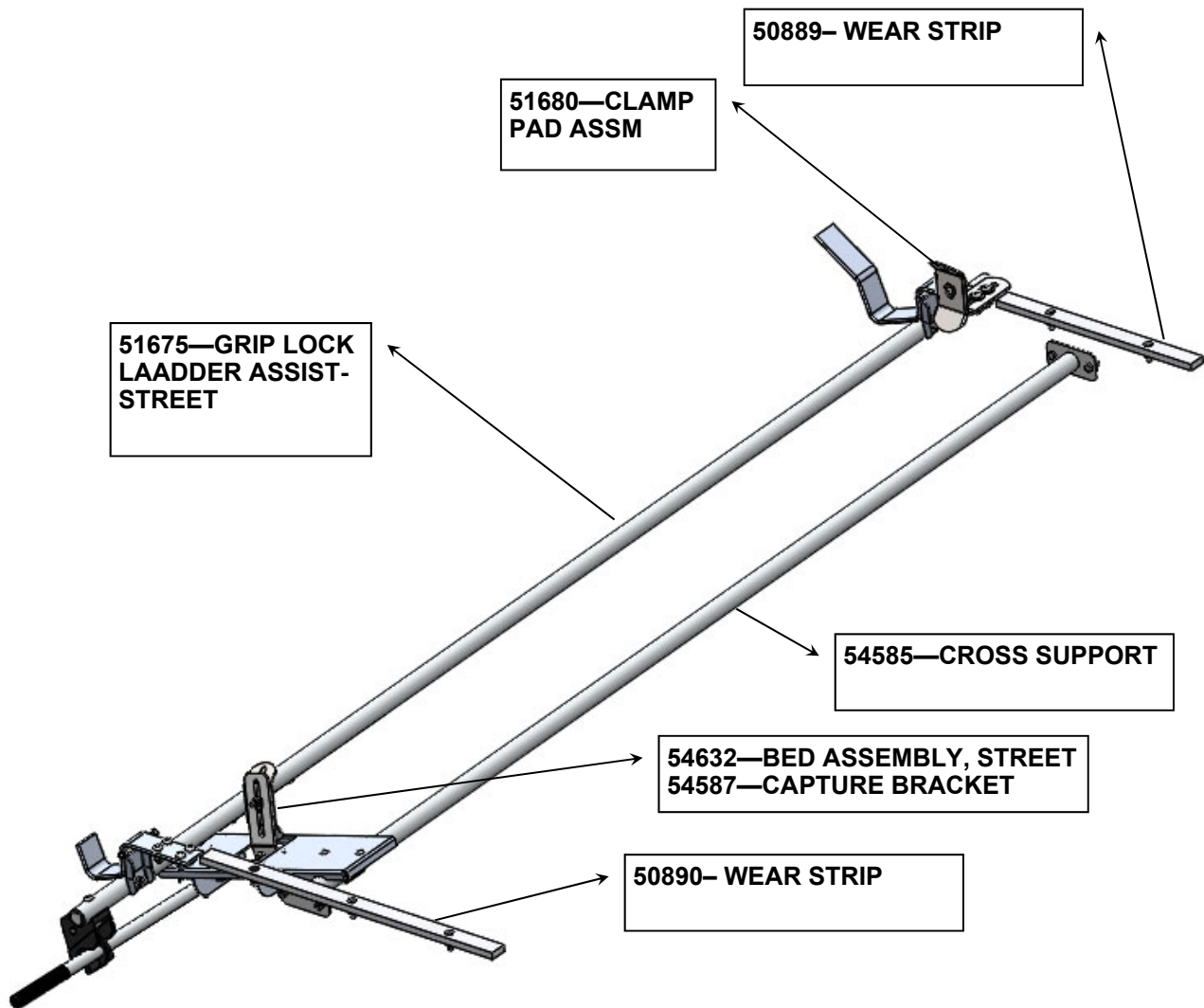


ANOTHER OPTIONAL MTG LOCATION





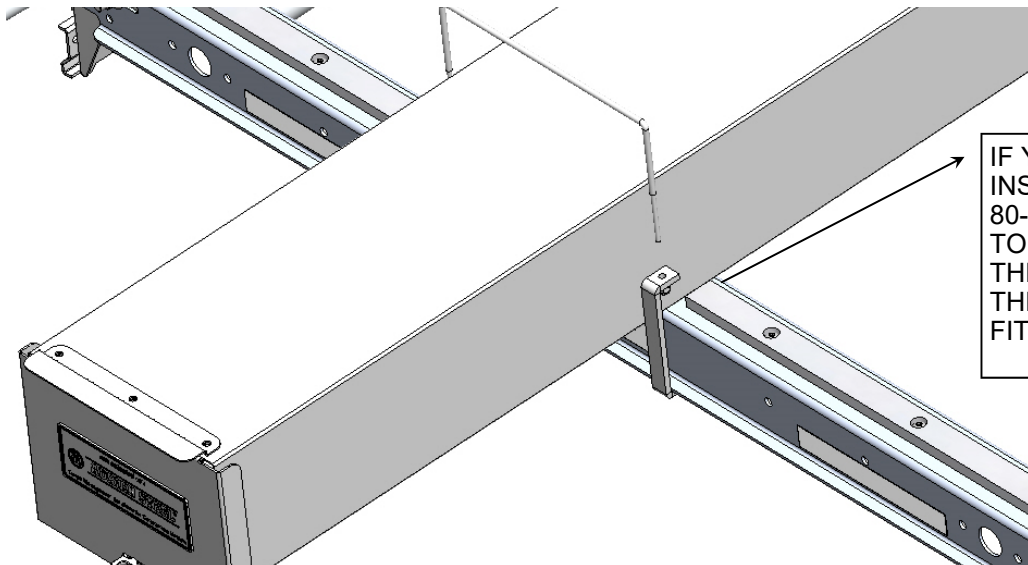
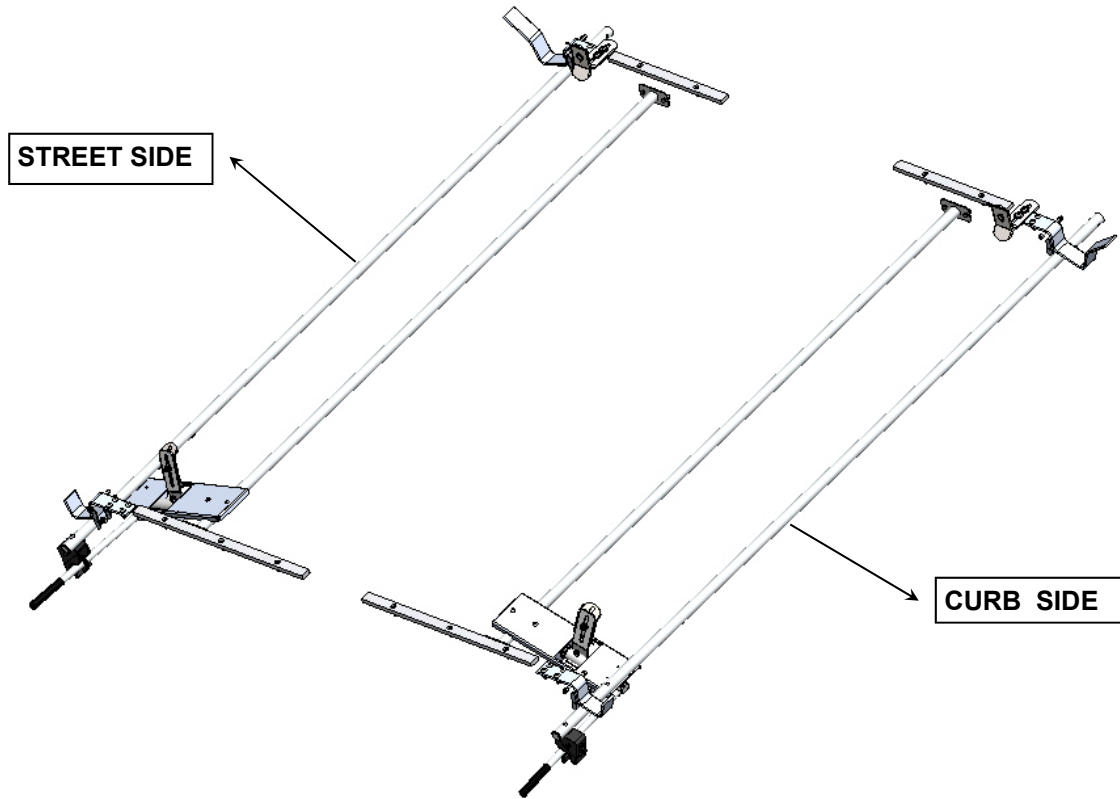
STEP #8: FOLLOW STEPS 1 THRU 7 FOR YOU STREET SIDE ASSEMBLY



**DOUBLE CHECK ALL FASTENERS LOCATIONS TO BE SURE THAT ALL FASTENERS ARE TIGHTENED TO SPECIFICATIONS.
YOUR INSTALLATION IS NOW COMPLETE!
STOW THIS COPY IN THE VEHICLE FOR FUTURE REFERENCES!**



STEP #9: YOUR ASSEMBLY IS NOW COMPLETE



**DOUBLE CHECK ALL FASTENERS LOCATIONS TO BE SURE THAT ALL FASTENERS ARE TIGHTENED TO SPECIFICATIONS.
YOUR INSTALLATION IS NOW COMPLETE!
STOW THIS COPY IN THE VEHICLE FOR FUTURE REFERENCES!**



STEP #10A: HOW TO ADJUST THE CLAMP PADS



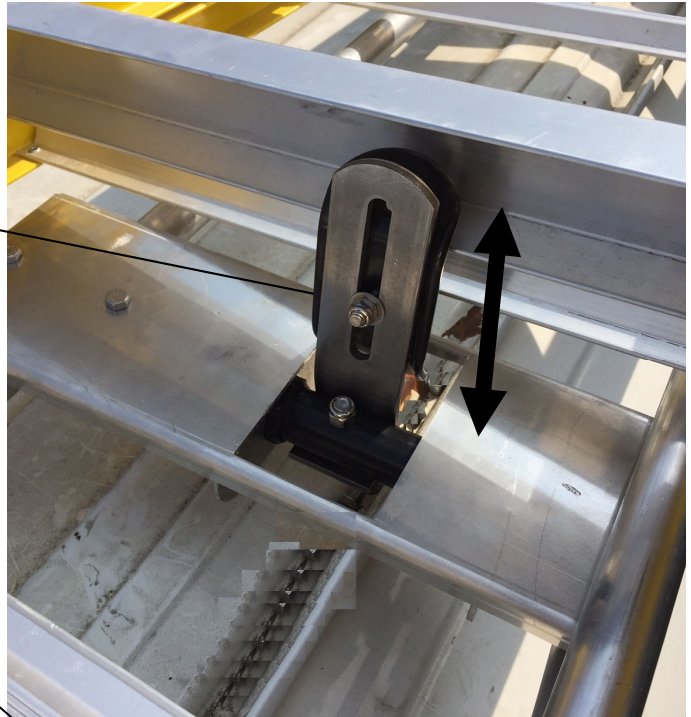
FRONT BRACKET

ADJUST VERTICALLY TO YOUR LADDER

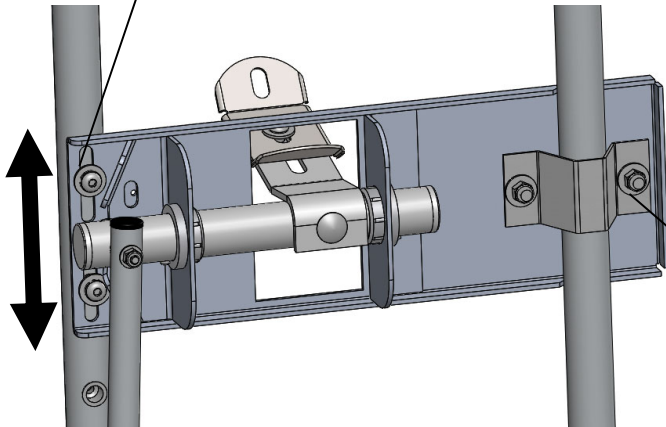
ALL OF THE HORIZONTAL ADJUSTMENT IS IN THIS BRACKET.

ADJUST VERTICALLY TO YOUR LADDER. SHOWING A STEP LADDER

SLOTS FOR ADJUSTMENT



LOOSEN FASTENERS TO ADJUST CLAMP

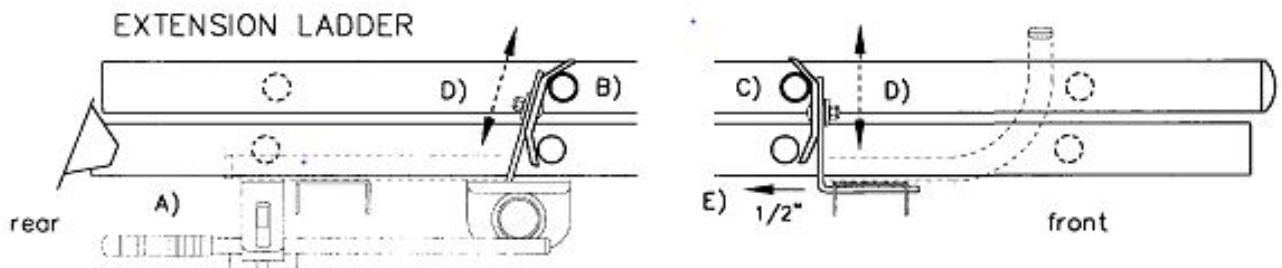


**DOUBLE CHECK ALL FASTENERS LOCATIONS TO BE SURE THAT ALL FASTENERS ARE TIGHTENED TO SPECIFICATIONS.
YOUR INSTALLATION IS NOW COMPLETE!
STOW THIS COPY IN THE VEHICLE FOR FUTURE REFERENCES!**



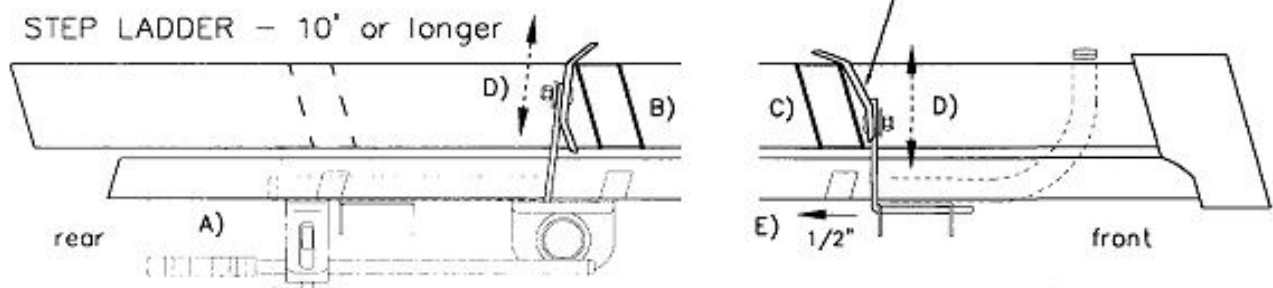
STEP #10B : HOW TO ADJUST THE CLAMP PADS

- A) Load your ladder onto the ladder rack (see page 14) and latch the HANDLE BAR into the HANDLE LATCH.
- B) Now slide the ladder back towards the rear of the vehicle and slide the rear CLAMP BRACKET to fit snug over and against the top ladder rung. ** See bottom illustration for STEP LADDERS ! **
SEE ILLUSTRATION BELOW.
- C) Next slide the FRONT STOP POST at the front of the ladder rack back towards the rear of the vehicle and fit the front CLAMP BRACKET to the top ladder rung the same as the rear.
- D) Firmly tighten both front and rear CLAMP BRACKETS to their posts and tighten snug the FRONT STOP POST to the front CROSS SUPPORT.
- E) Now unlatch the HANDLE BAR and unload your ladder. Next loosen the FRONT STOP POST and slide it out towards the rear of the vehicle 1/2" and FIRMLY RETIGHTEN !
YOUR LADDER RACK SHOULD NOW BE ADJUSTED FOR YOUR LADDER.



CAUTION: Never clamp up the first step and the head of the STEP LADDER !

Front CLAMP BRACKET must be attached like this !



**DOUBLE CHECK ALL FASTENERS LOCATIONS TO BE SURE THAT ALL FASTENERS ARE TIGHTENED TO SPECIFICATIONS.
YOUR INSTALLATION IS NOW COMPLETE!
STOW THIS COPY IN THE VEHICLE FOR FUTURE REFERENCES!**