



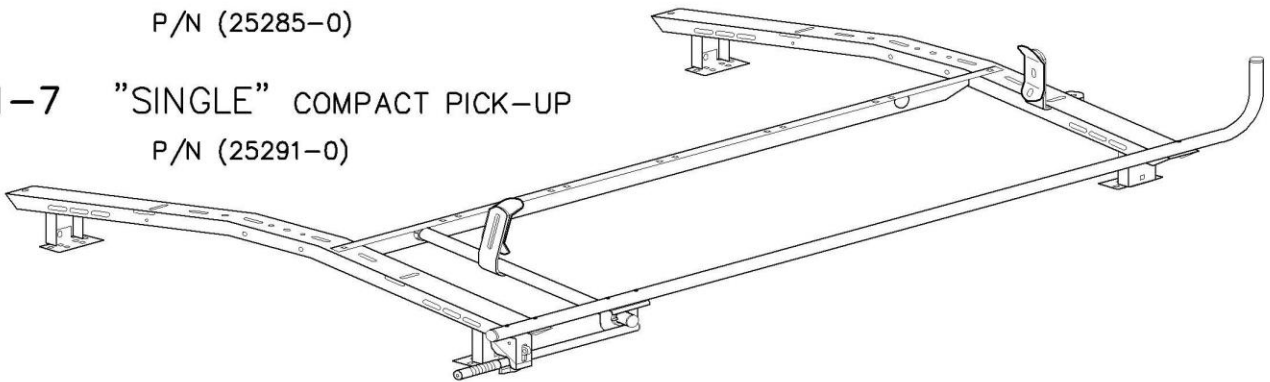
# "GRIP LOCK" LADDER RACK INSTRUCTIONS

\* ASSEMBLY & INSTALLATION \*

## 6' LADDER RACKS – ASTRO / SAFARI MINI VAN and LONGBED COMPACT PICK-UP

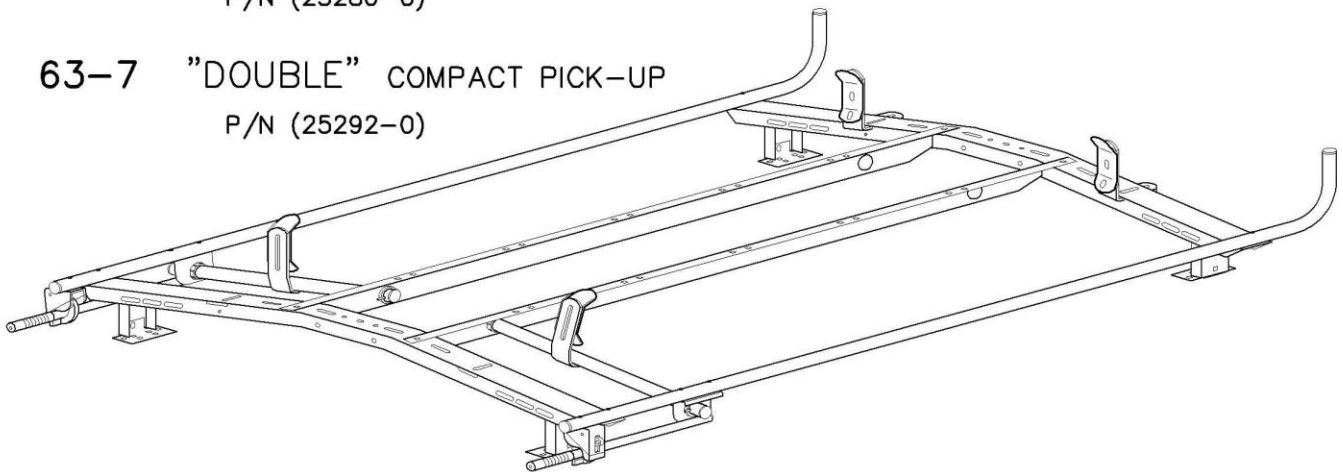
61-4 "SINGLE" ASTRO / SAFARI  
P/N (25285-0)

61-7 "SINGLE" COMPACT PICK-UP  
P/N (25291-0)



63-4 "DOUBLE" ASTRO / SAFARI  
P/N (25286-0)

63-7 "DOUBLE" COMPACT PICK-UP  
P/N (25292-0)



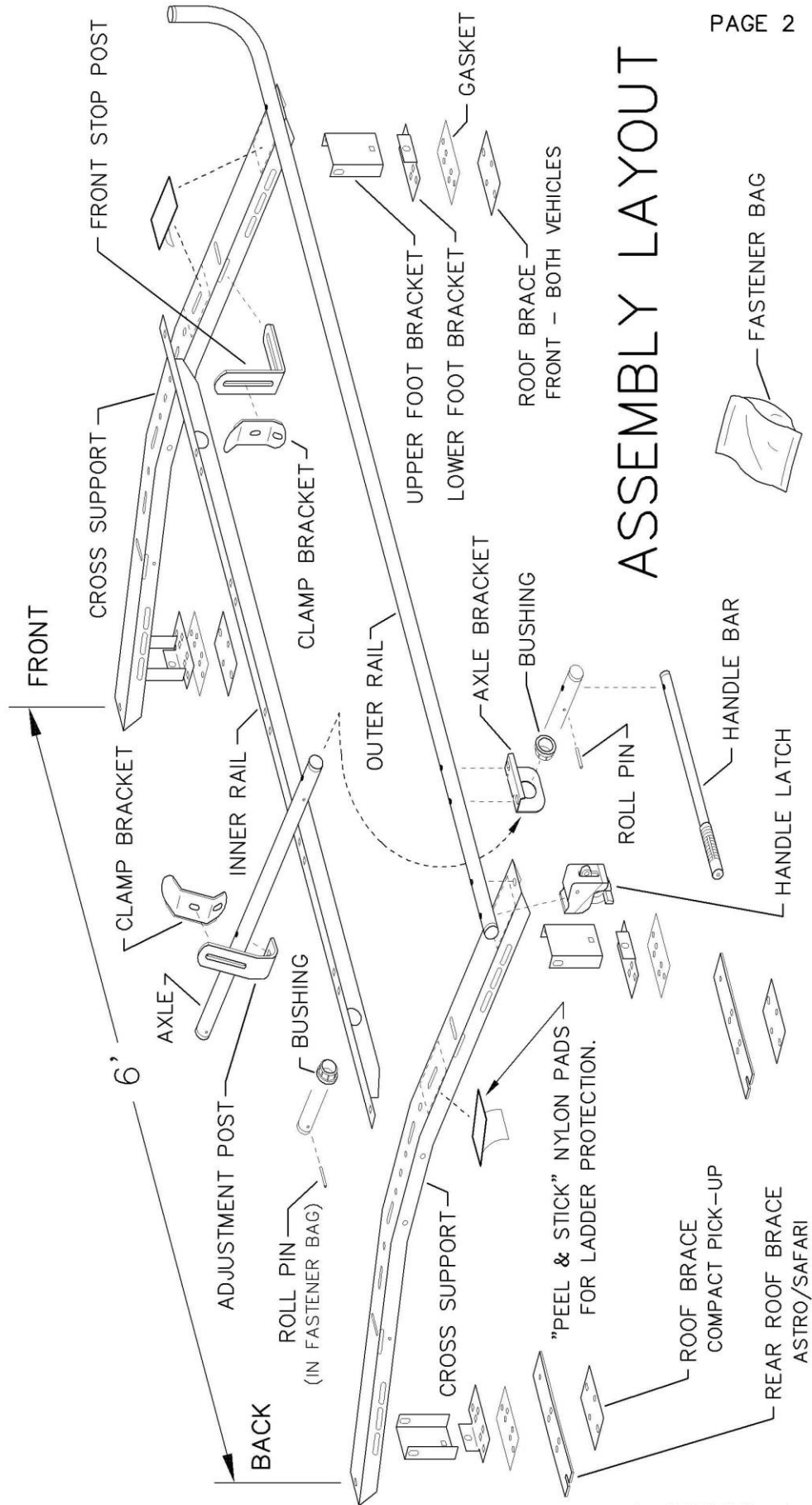
NOTE TO INSTALLER:

\* THESE INSTRUCTIONS MUST BE SENT WITH THE LADDER RACK TO THE END USER ! \*

**BEFORE YOU BEGIN:**

REFER TO THE COVER PAGE (PAGE-1), ASSEMBLY LAYOUT (PAGE-2), PARTS LIST (PAGE-3 & 4), & FASTENER TEMPLATE (PAGE-5) TO PROPERLY IDENTIFY THE PARTS IN THE BOX FOR YOUR LADDER RACK. A "SINGLE" IS SHOWN BELOW, SOME PARTS ARE DUPLICATED TO THE OTHER SIDE OF THE LADDER RACK TO MAKE A "DOUBLE" (SEE COVER PAGE).

\* PLEASE READ THROUGH & FOLLOW EACH STEP CAREFULLY TO EASE THE ASSEMBLY & INSTALLATION OF YOUR LADDER RACK. \* IF YOU HAVE ANY QUESTIONS OR COMMENTS PLEASE CONTACT THE DEALER YOU PURCHASED YOUR LADDER RACK FROM OR CALL US AT ADRIAN STEEL Co. (800) 677-2726 . THANK YOU FOR CHOOSING THE ADRIAN STEEL Co. "GRIP LOCK" LADDER RACK !



# PARTS LIST

PAGE 3

61-4 "SINGLE" ASTRO / SAFARI		P/N 25285-0
DESCRIPTION	QUANTITY	PART No.
FASTENER BAG (6' SINGLE LADDER RACK-AST)	1	BAGLR003-0
BUSHING (NYLON, 1-1/4" TUBE)	2	09677-0
ADJUSTMENT POST (REAR AXLE)	1	09704-0
ROOF BRACE	2	10181-0
GASKET	4	10182-0
LOWER FOOT BRACKET	4	11109-0
REAR ROOF BRACE - ASTRO / SAFARI ONLY	2	14601-0
FOOT BKT-UPPER MV/CPU, W	4	25268-W
OUTER RAIL (6' - AST & LBCPU)	1	25330-0
INNER RAIL (6' - AST & LBCPU)	1	25333-0
CROSS SUPPORT (58" LONG - AST, CPU, & MV)	2	25336-0
AXLE (26-3/16" LONG)	1	25337-0
AXLE BRACKET	1	25338-0
HANDLE LATCH	1	25340-0
LADDER PAD (NYLON "STICK-ON")	4	25345-0
CLAMP BRACKET (PLASTISOL COATED)	2	37515-0
HANDLE BAR	1	25410-0
FRONT STOP POST	1	25497-0

63-4 "DOUBLE" ASTRO / SAFARI		P/N 25286-0
DESCRIPTION	QUANTITY	PART No.
FASTENER BAG (6' DOUBLE LADDER RACK-AST)	1	BAGLR004-0
BUSHING (NYLON, 1-1/4" TUBE)	4	09677-0
ADJUSTMENT POST (REAR AXLE)	2	09704-0
ROOF BRACE	2	10181-0
GASKET	4	10182-0
LOWER FOOT BRACKET	4	11109-0
REAR ROOF BRACE - ASTRO / SAFARI ONLY	2	14601-0
FOOT BKT-UPPER MV/CPU, W	4	25268-W
OUTER RAIL (6' - AST & LBCPU)	2	25330-0
INNER RAIL (6' - AST & LBCPU)	2	25333-0
CROSS SUPPORT (58" LONG - AST, CPU, & MV)	2	25336-0
AXLE (26-3/16" LONG)	2	25337-0
AXLE BRACKET	2	25338-0
HANDLE LATCH	2	25340-0
LADDER PAD (NYLON "STICK-ON")	8	25345-0
CLAMP BRACKET (PLASTISOL COATED)	4	37515-0
HANDLE BAR	2	25410-0
FRONT STOP POST	2	25497-0

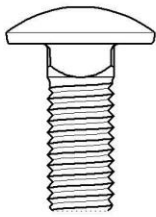
# PARTS LIST

PAGE 4

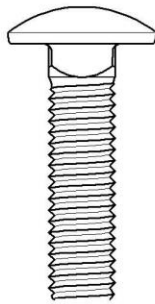
61-7 "SINGLE" LONGBED COMPACT PICK-UP P/N 25291-0		
DESCRIPTION	QUANTITY	PART No.
FASTENER BAG (6' SINGLE LADDER RACK-CPU)	1	BAGLR007-0
BUSHING (NYLON, 1-1/4" TUBE)	2	09677-0
ADJUSTMENT POST (REAR AXLE)	1	09704-0
ROOF BRACE	4	10181-0
GASKET	4	10182-0
LOWER FOOT BRACKET	4	11109-0
<b>FOOT BKT-UPPER MV/CPU, W</b>	4	<b>25268-W</b>
OUTER RAIL (6' - AST & LBCPU)	1	25330-0
INNER RAIL (6' - AST & LBCPU)	1	25333-0
CROSS SUPPORT (58" LONG - AST, CPU, & MV)	2	25336-0
AXLE (26-3/16" LONG)	1	25337-0
AXLE BRACKET	1	25338-0
HANDLE LATCH	1	25340-0
LADDER PAD (NYLON "STICK-ON")	4	25345-0
CLAMP BRACKET (PLASTISOL COATED)	2	37515-0
HANDLE BAR	1	25410-0
FRONT STOP POST	1	25497-0

63-7 "DOUBLE" LONGBED COMPACT PICK-UP P/N 25292-0		
DESCRIPTION	QUANTITY	PART No.
FASTENER BAG (6' DOUBLE LADDER RACK-CPU)	1	BAGLR008-0
BUSHING (NYLON, 1-1/4" TUBE)	4	09677-0
ADJUSTMENT POST (REAR AXLE)	2	09704-0
ROOF BRACE	4	10181-0
GASKET	4	10182-0
LOWER FOOT BRACKET	4	11109-0
<b>FOOT BKT-UPPER MV/CPU, W</b>	4	<b>25268-W</b>
OUTER RAIL (6' - AST & LBCPU)	2	25330-0
INNER RAIL (6' - AST & LBCPU)	2	25333-0
CROSS SUPPORT (58" LONG - AST, CPU, & MV)	2	25336-0
AXLE (26-3/16" LONG)	2	25337-0
AXLE BRACKET	2	25338-0
HANDLE LATCH	2	25340-0
LADDER PAD (NYLON "STICK-ON")	8	25345-0
CLAMP BRACKET (PLASTISOL COATED)	4	37515-0
HANDLE BAR	2	25410-0
FRONT STOP POST	2	25497-0

# FASTENER TEMPLATE



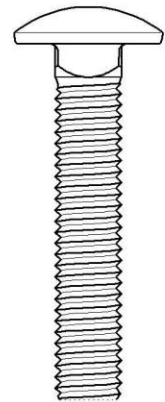
1" CARRIAGE BOLT  
P/N FAS0102  
(ASSEMBLY/INSTALLATION)



1-1/2" CARRIAGE BOLT  
P/N FAS0117  
(INSTALLATION)



1-3/4" CARRIAGE BOLT  
P/N FAS0204  
(OUTER RAIL)

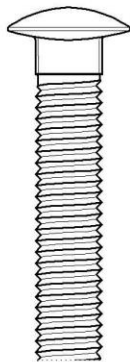


2" CARRIAGE BOLT  
P/N FAS0184  
(AXLE)

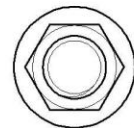
**HANDLE BAR  
FASTENERS**



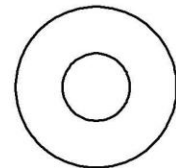
2-1/4" SHOULDER BOLT  
P/N 17976-0



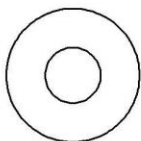
1-7/8" CARRIAGE BOLT  
P/N FAS0239  
(OUTER RAIL-HANDLE LATCH)



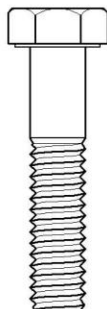
5/16" FLANGE NUT  
P/N FAS0135  
(INSTALLATION)  
"ASTRO/SAFARI ONLY"



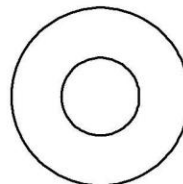
5/16" WASHER  
P/N FAS0112  
(INSTALLATION)  
"ASTRO/SAFARI ONLY"



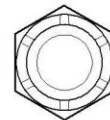
1/4" FLAT WASHER  
P/N FAS0124



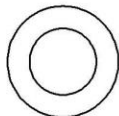
1-1/2" HEX HEAD BOLT  
P/N FAS0129  
(INSTALLATION REAR)  
"ASTRO/SAFARI ONLY"



3/8" WASHER  
P/N FAS0104  
(TYPICAL ASSEMBLY)



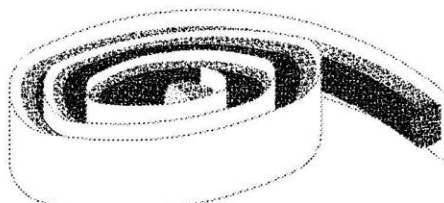
3/8" LOCK NUT  
P/N FAS0110  
(ASSEMBLY/INSTALLATION)



NYLON WASHER  
P/N 10103-0



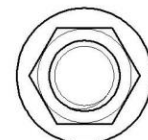
1/4" LOCK NUT  
P/N FAS0058



BUTYLE TAPE - BLACK  
P/N 05586-0  
(BOLT HEAD)



ROLL PIN 1-3/4"  
P/N FAS0212  
(AXLE)



3/8" FLANGE NUT  
P/N FAS0100  
(TYPICAL ASSEMBLY)

# ASSEMBLY

## TOOLS NEEDED:

- 9/16 WRENCH or 9/16 DEEPWELL SOCKET with RATCHET
- 1/2 WRENCH or 1/2 DEEPWELL SOCKET with RATCHET ( for ASTRO / SAFARI vans only )
- 7MM WRENCH or 7MM SOCKET with RATCHET ( for ASTRO / SAFARI vans only )
- 7/16 WRENCH or 7/16 DEEPWELL SOCKET with RATCHET
- 1/8 ALLEN WRENCH
- HAMMER
- PHILLIPS HEAD SCREW DRIVER ( for ASTRO / SAFARI vans only )
- 90° ANGLE or SQUARE
- TAPE MEASURE
- DRILL
- 3/8 DRILL BIT
- 5/16 DRILL BIT ( for ASTRO / SAFARI vans only )

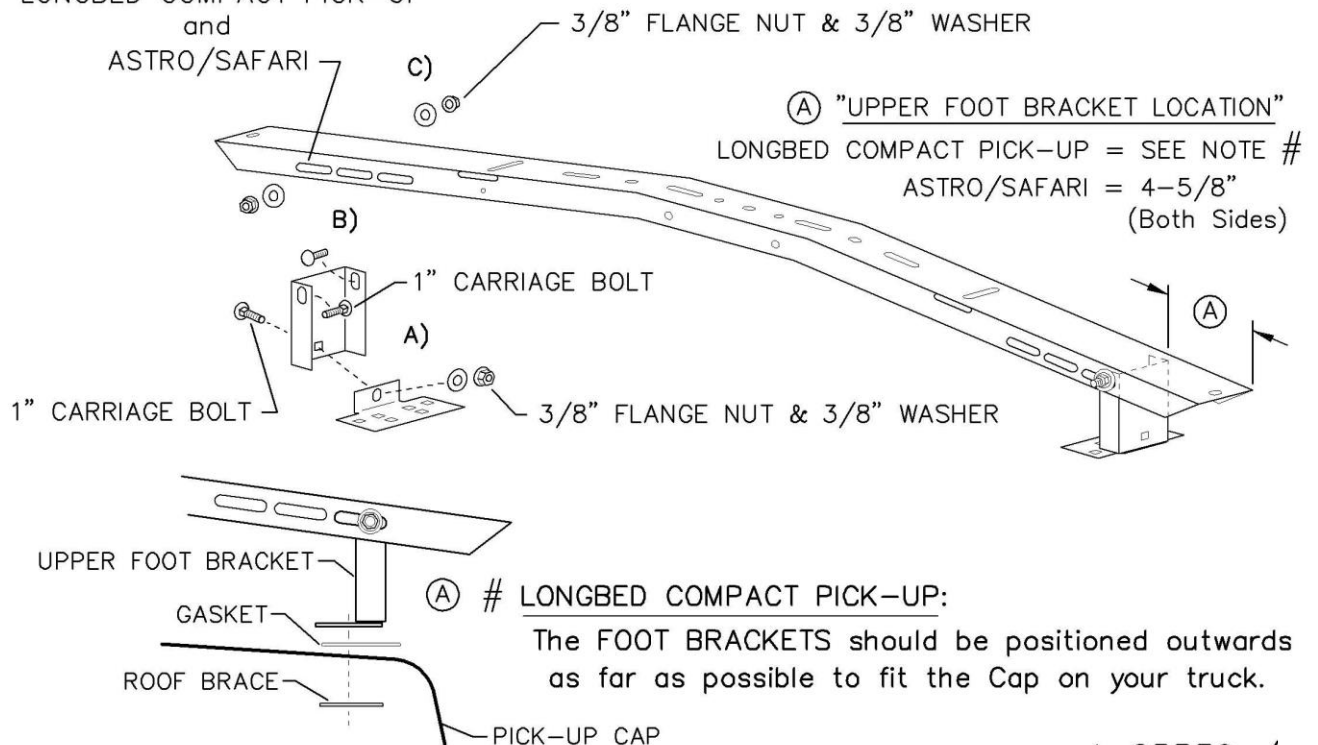
**\* USE THE "ASSEMBLY LAYOUT" ON PAGE-2 AS A GUIDE TO HELP IDENTIFY AND PLACE PARTS THROUGHOUT THE ASSEMBLY.**

**STEP-1** (TOOLS: 9/16 wrench or deepwell socket & ratchet, tape measure.)

- A) Attach the LOWER FOOT BRACKET to the UPPER FOOT BRACKET with a 1" CARRIAGE BOLT, 3/8" WASHER, & 3/8" FLANGE NUT and tighten firmly. "Do this with all the foot brackets."  
SEE ILLUSTRATION BELOW.
  - B) Layout both CROSS SUPPORTS approximately 6 feet apart & insert the FOOT BRACKETS into them.
  - C) Next attach the UPPER FOOT BRACKETS using 1" CARRIAGE BOLT, 3/8" WASHER, & 3/8" FLANGE NUT for each slot in the UPPER FOOT BRACKETS. (FINGER TIGHTEN ONLY !)
- \* REFER TO THE "FASTENER TEMPLATE" ON PAGE-5 TO MATCH UP FASTENERS.**

"DO NOT TIGHTEN UPPER FOOT BRACKET FASTENERS YET !"

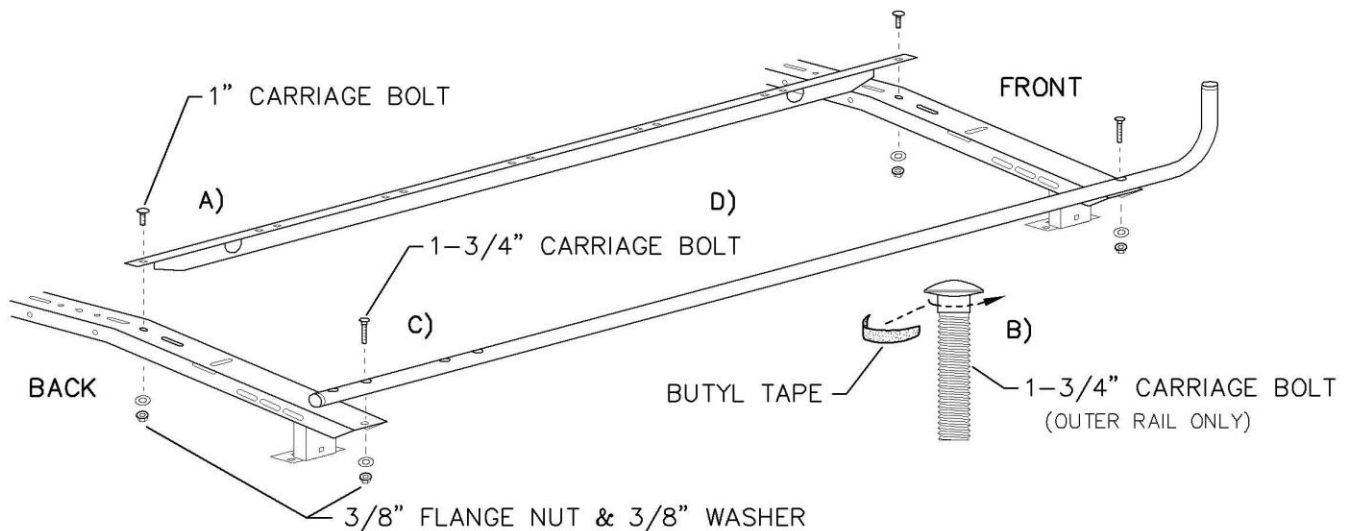
LONGBED COMPACT PICK-UP  
and  
ASTRO/SAFARI



# ASSEMBLY

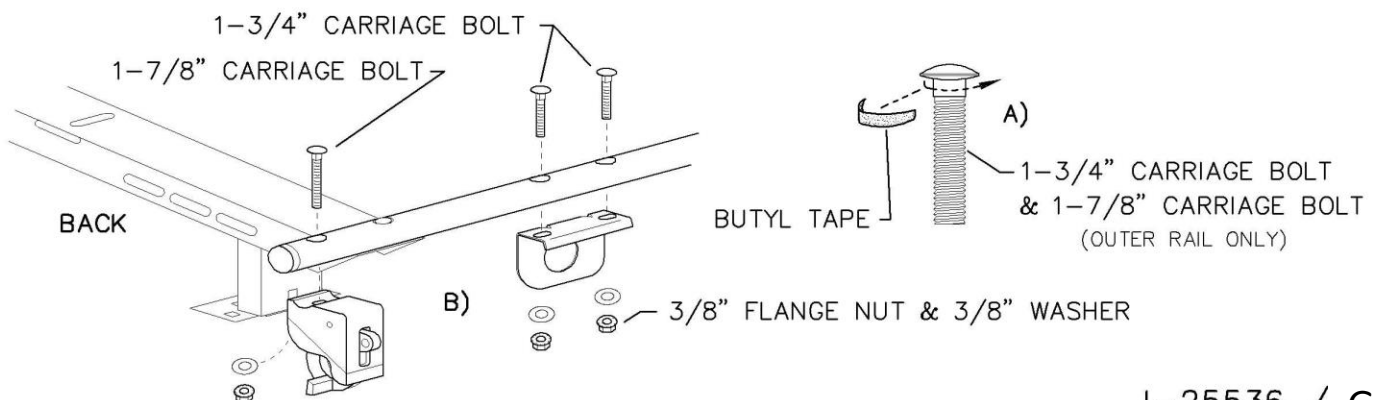
**STEP-2** (TOOLS: 9/16 wrench or deepwell socket & ratchet, 90° angle or square.)

- A) Attach the INNER RAIL to the front and back CROSS SUPPORTS using 1" CARRIAGE BOLT, 3/8" WASHER, & 3/8" FLANGE NUT (FINGER TIGHTEN ONLY). SEE ILLUSTRATION BELOW.
  - B) Next peel off approximately 1/4" of BUTYL TAPE (see "FASTENER TEMPLATE") and evenly wrap it around the bottom side of each 1-3/4" CARRIAGE BOLT head to seal holes in the OUTER RAIL.
  - C) Next attach the OUTER RAIL to the front and rear CROSS SUPPORTS using 1-3/4" CARRIAGE BOLT, 3/8" WASHER, & 3/8" FLANGE NUT (FINGER TIGHTEN ONLY).
- \* REFER TO THE "FASTENER TEMPLATE" ON PAGE-5 TO MATCH UP FASTENERS.
- D) Now square the assembly (INNER RAIL to CROSS SUPPORTS & OUTER RAIL to CROSS SUPPORTS) with a 90° angle or square and firmly tighten the OUTER RAIL & INNER RAIL fasteners.



**STEP-3** (TOOLS: 9/16 wrench.)

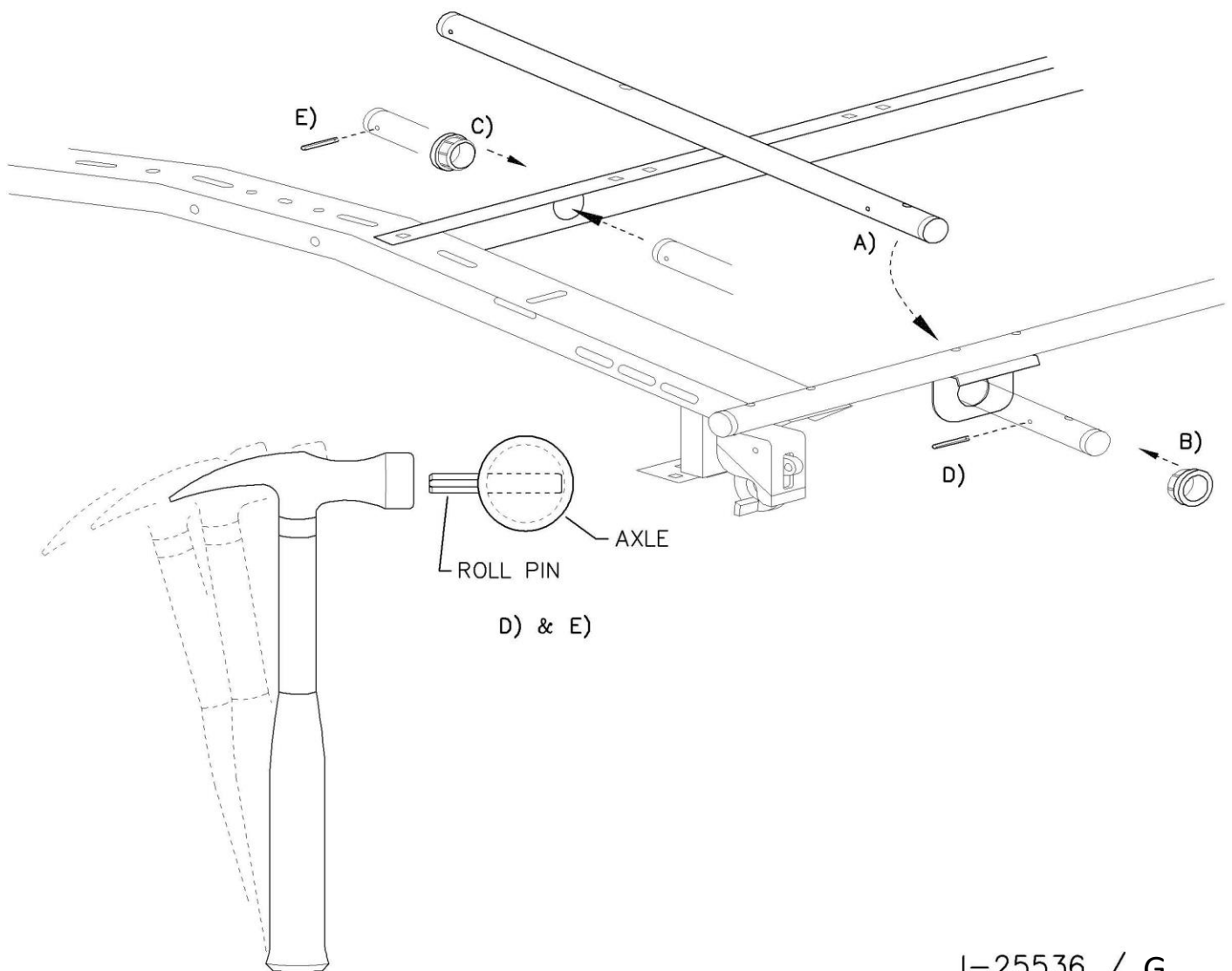
- A) Peel off approximately 1/4" of BUTYL TAPE (see "FASTENER TEMPLATE") and evenly wrap it around the bottom side of each 1-3/4" & 1-7/8" CARRIAGE BOLT head to seal holes in the OUTER RAIL.
- B) Attach the HANDLE LATCH and the AXLE BRACKET to the OUTER RAIL using 1-3/4" & 1-7/8" CARRIAGE BOLT, 3/8" WASHER, & 3/8" FLANGE NUT (FIRMLY TIGHTEN). SEE ILLUSTRATION BELOW.



# ASSEMBLY

**STEP-4** (TOOLS: Hammer.)

- A) Insert the AXLE through the hole in the AXLE BRACKET. **\*\*IMPORTANT:** this end of the AXLE should have 3 holes in it ! \*\* SEE ILLUSTRATION BELOW.
- B) Next slide a BUSHING over the end of the AXLE and press the BUSHING flush into the hole in the AXLE BRACKET.
- C) Now press the other BUSHING into the adjacent hole in the INNER RAIL and slide the other end of the AXLE through that BUSHING. SEE ILLUSTRATION BELOW.
- D) Firmly tap a ROLL PIN into the smaller hole at the end of the AXLE that is in the AXLE BRACKET until the ROLL PIN stops inside of the AXLE. **\*\*TIP:** partially slide the AXLE back out to allow enough clearance to safely swing hammer and prevent damage to parts. \*\*
- E) Now slide the AXLE all the way back in and tap the other ROLL PIN into the opposite end of the AXLE that goes through the INNER RAIL until the ROLL PIN stops inside of the AXLE. **\*\*TIP:** rotate the axle around to provide better access to the roll pin hole.\*\*

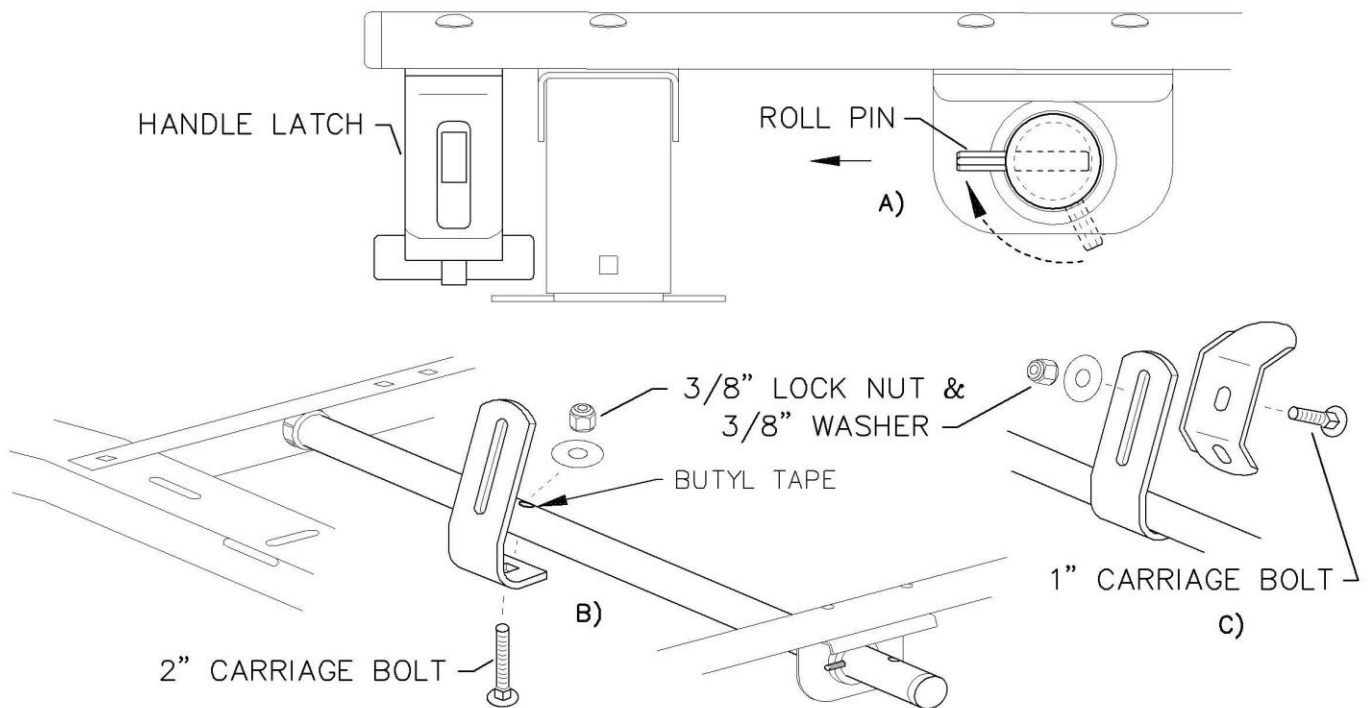




# ASSEMBLY

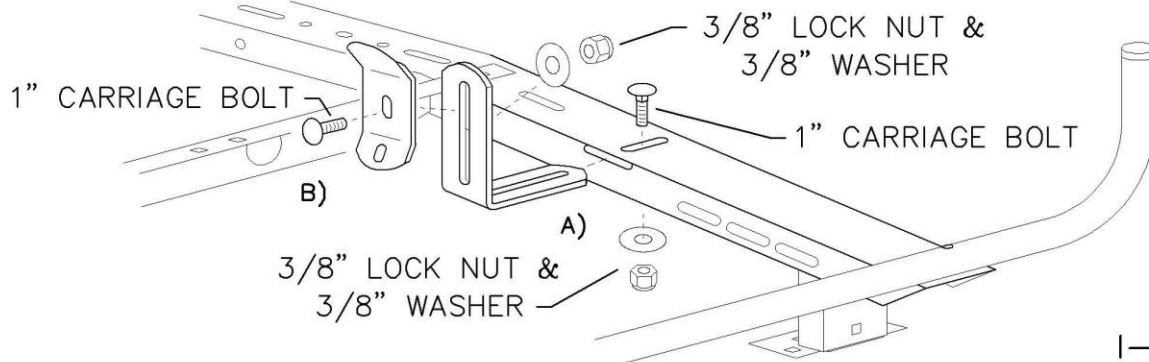
## STEP-5 (TOOLS: 9/16 wrench or deepwell socket & ratchet.)

- A) Rotate the AXLE until the ROLL PIN points towards the HANDLE LATCH. SEE ILLUSTRATION BELOW.
- B) Keeping the AXLE rotated this way attach the ADJUSTMENT POST to the AXLE using a 2" CARRIAGE BOLT, 3/8" WASHER, & 3/8" LOCK NUT. **\*\*NOTE:** once the 2" CARRIAGE BOLT is inserted through the ADJUSTMENT POST and the AXLE seal the hole in the AXLE around the bolt with BUTYL TAPE before putting the 3/8" WASHER & 3/8" LOCKNUT on. **\*\* (TIGHTEN FIRMLY).**
- C) Next attach a CLAMP BRACKET to the ADJUSTMENT POST using 1" CARRIAGE BOLT, 3/8" WASHER, & 3/8" LOCK NUT. (DO NOT TIGHTEN YET !) SEE ILLUSTRATION BELOW.



## STEP-6 (TOOLS: 9/16 wrench or deepwell socket & ratchet.)

- A) Insert the FRONT STOP POST into the front CROSS SUPPORT and attach with 1" CARRIAGE BOLT, 3/8" WASHER, & 3/8" LOCK NUT. (DO NOT TIGHTEN YET !) SEE ILLUSTRATION BELOW.
- B) Attach a CLAMP BRACKET to the FRONT STOP POST using 1" CARRIAGE BOLT, 3/8" WASHER, & 3/8" LOCK NUT. (DO NOT TIGHTEN YET !)



# ASSEMBLY

**STEP-7** (TOOLS: 1/8 allen wrench, 7/16 wrench or deepwell socket & ratchet.)

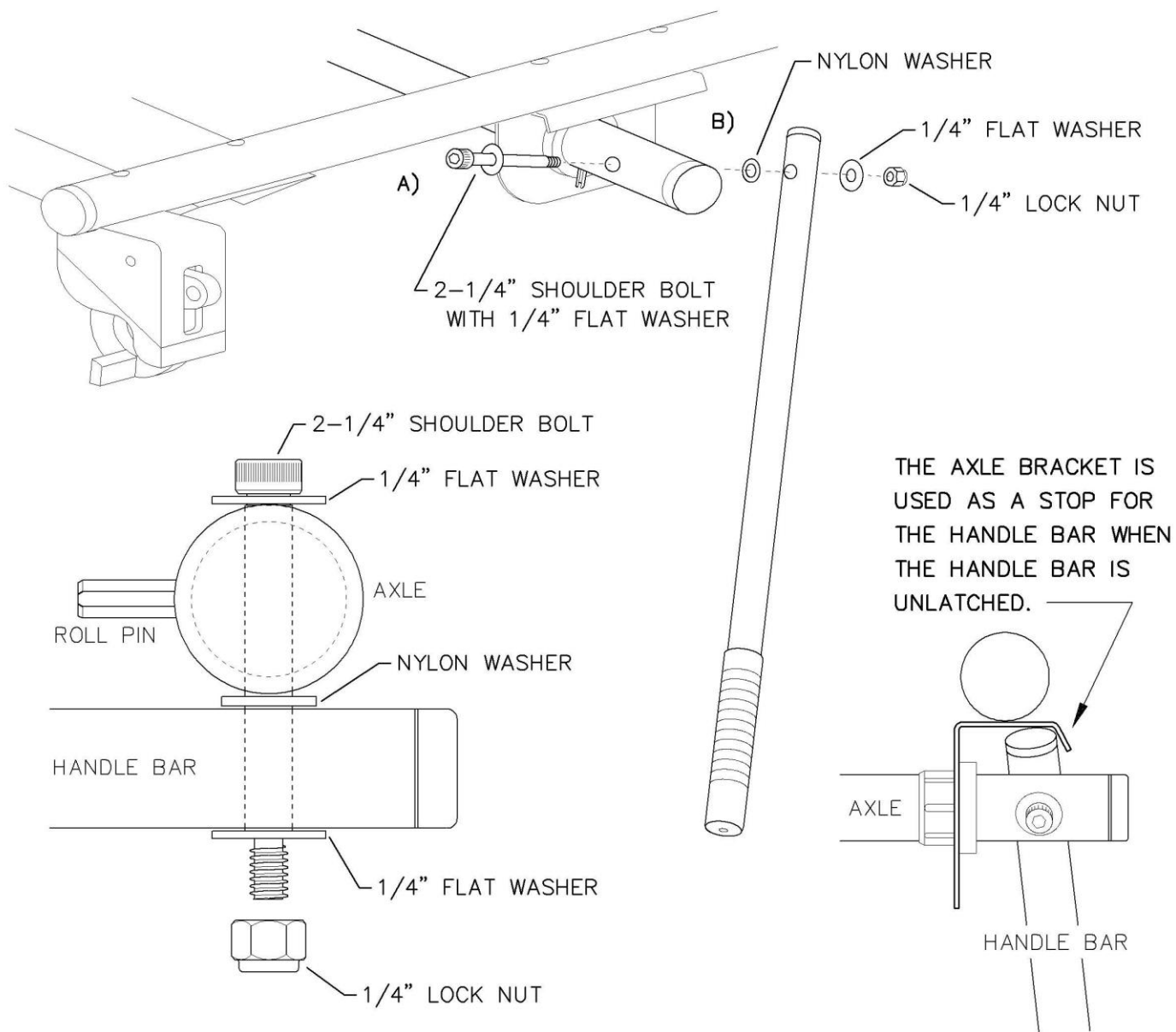
A) Insert the 2-1/4" SHOULDER BOLT through a 1/4" FLAT WASHER and then through the AXLE.  
SEE ILLUSTRATION BELOW.

**\*\*NOTE:** the head of the SHOULDER BOLT should face up once the HANDLE BAR is attached.\*\*

\* REFER TO THE "FASTENER TEMPLATE" ON PAGE-5 TO MATCH UP FASTENERS.

B) Next insert a NYLON WASHER over the SHOULDER BOLT and then attach the HANDLE BAR to the AXLE followed with another 1/4" FLAT WASHER and a 1/4" LOCK NUT. (TIGHTEN SNUG ONLY).

**\*\*NOTE:** The NYLON WASHER should be between the AXLE and the HANDLE BAR.\*\*



NOW YOU SHOULD BE READY TO INSTALL YOUR LADDER RACK ON YOUR VEHICLE.

# INSTALLATION

## ASTRO / SAFARI VANS

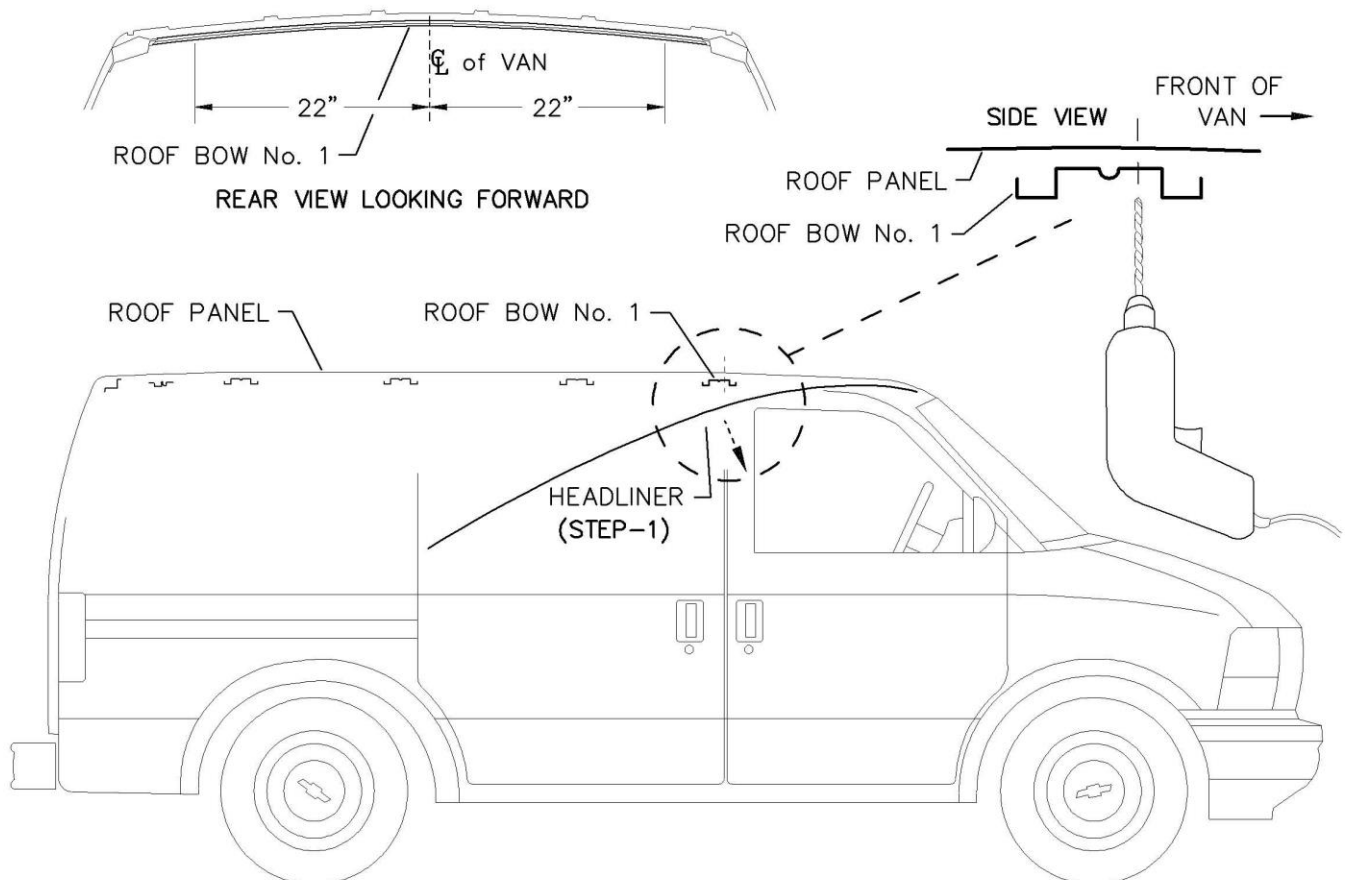
**STEP-1** (TOOLS: 7mm socket & ratchet, phillips head screw driver.)

- A) To provide access to the vehicle "roof bow"s, you must take down the OEM fabric headliner up to the front visors. First you must remove both dome lights with a 7mm socket & ratchet.
- B) Next remove the screws that hold the trim on the door lock pillars. Now carefully pry the door trim away from the driver & passenger side door pillars they're attached to.
- C) Next remove the coat hook, and all push plugs. **\*\*Carefully\*\*** remove the liner from around the dome lights and sliding door track. **SEE ILLUSTRATION BELOW.**

**STEP-2** (TOOLS: Safety glasses, tape measure, drill, 3/8" drill bit.)

- A) Working from inside the van mark the center (side to side) of roof bow No. 1 & measure out to each side of the van 22" from the center point and mark the roof bow again at each measurement.
- B) Next drill a 3/8" diameter hole through the forward channel of the No. 1 roof bow & through the roof panel at the 22" marks you just made. **SEE ILLUSTRATIONS BELOW.**

\* Clean up any burrs from the holes you drill & any shavings from the interior & roof of the van. \*



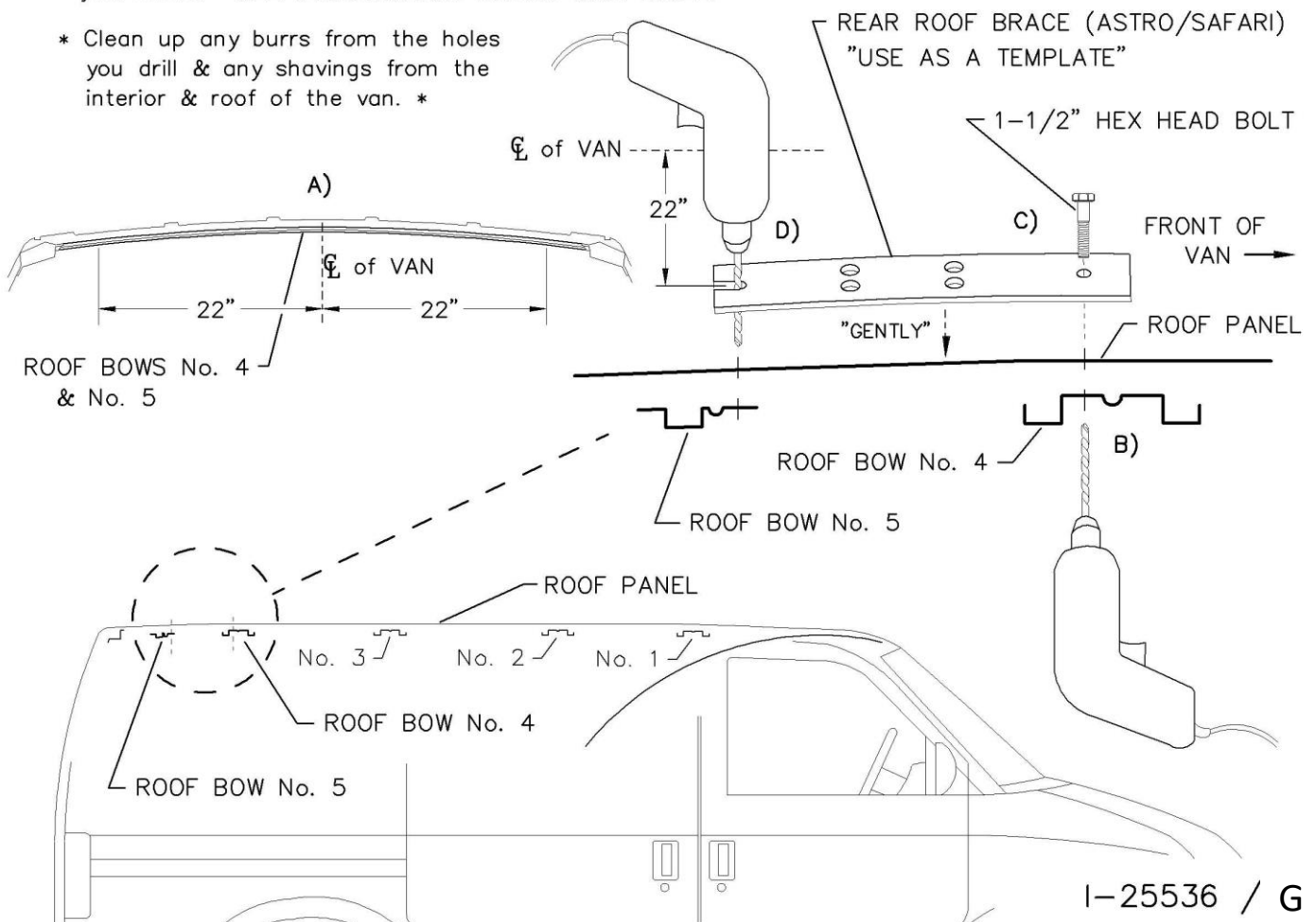
# INSTALLATION

## ASTRO / SAFARI VANS

**STEP-3** (TOOLS: Safety glasses, tape measure, drill, 5/16 drill bit.)

- A) Working from inside the van mark the center (side to side) of roof bow No. 4 and measure out to each side of the van 22" from the center point and mark the roof bow again at each measurement. SEE ILLUSTRATION BELOW.
- B) Next drill a 5/16" diameter hole through the middle of the rear channel of the No. 4 roof bow & through the roof panel at the 22" marks you just made. SEE ILLUSTRATION BELOW WITH DRILL.  
\* Clean up any burrs from the holes you drill & any shavings from the interior & roof of the van. \*
- C) Now working outside from the top of the van take a REAR ROOF BRACE (ASTRO/SAFARI) and "gently" set it flat on top of the roof panel & align the front hole with the hole you just drilled using a 1-1/2" HEX HEAD BOLT, this will serve as template to drill the rear hole. (roof bow No. 5) SEE ILLUSTRATION BELOW WITH DRILL.
- D) Now measure out 22" from the centerline of the van to the sides of the van and align the center of the rear slot in the REAR ROOF BRACE with the 22" line and mark that slot. Now remove the REAR ROOF BRACE & 1" HEX HEAD BOLT (to be used later) and drill a 5/16" diameter hole through the roof panel and the forward flange of the No. 5 roof bow at the mark you just made. SEE ILLUSTRATION BELOW WITH DRILL.

\* Clean up any burrs from the holes you drill & any shavings from the interior & roof of the van. \*



# INSTALLATION

## ASTRO / SAFARI VANS

**STEP-4** (TOOLS: Safety glasses, 1/2 wrench or 1/2 deepwell socket with ratchet.)

A) Working from inside the van insert the REAR ROOF BRACE between roof bows No. 4 & No. 5 and align the front hole in the REAR ROOF BRACE with the hole you drilled in roof bow No. 4 and align the rear slot with the hole you drilled in roof bow No. 5. SEE ILLUSTRATION BELOW.

\*\* YOU MAY NEED TO CLEAR OUT SOME OF THE SEAL CAULKING BETWEEN THE ROOF BOWS & THE ROOF PANEL TO ALLOW ROOM TO INSERT THE REAR ROOF BRACE \*\*

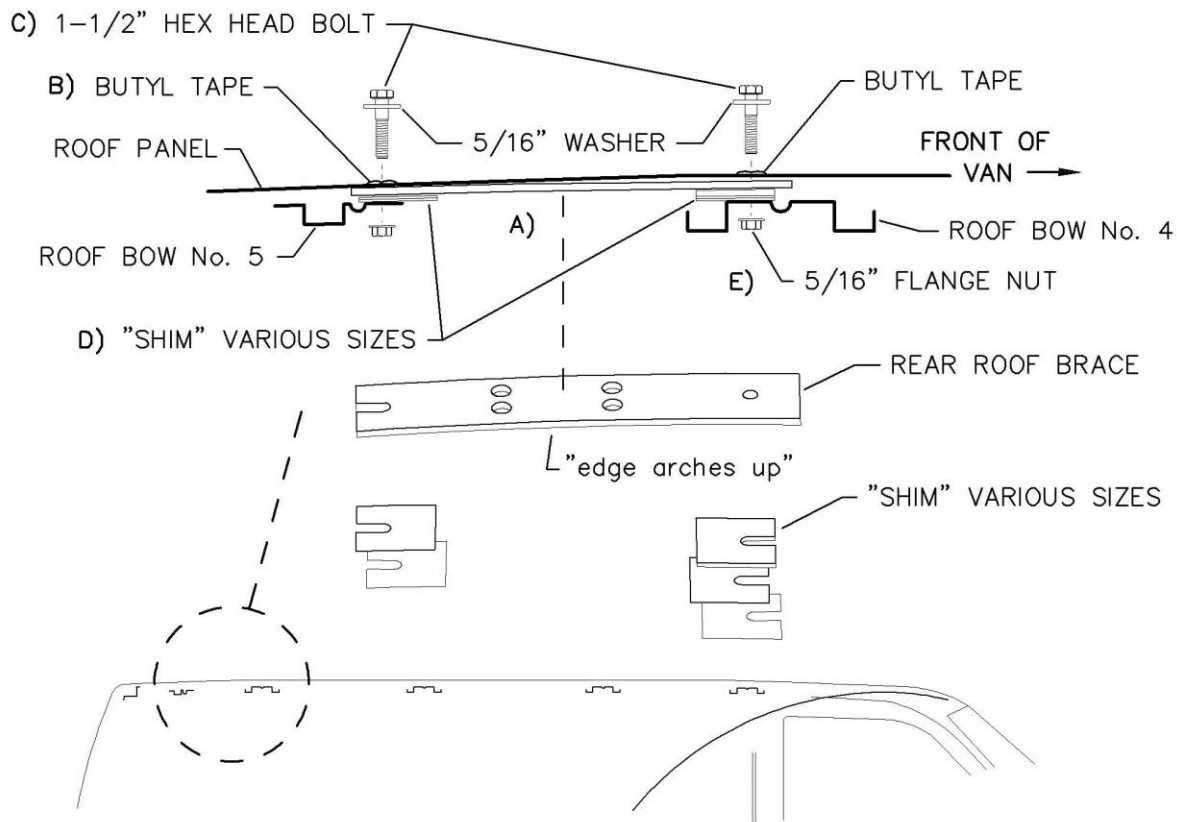
B) Next from the top side of the van apply a 3/4" piece of BUTYL TAPE evenly around each hole you drilled for roof bows No. 4 & No. 5.

\* REFER TO THE "FASTENER TEMPLATE" ON PAGE-5 TO MATCH UP FASTENERS.

C) Now insert two 1-1/2" HEX HEAD BOLTS through 5/16" WASHERS and through the holes drilled for roof bow No. 4, then insert two 1-1/2" HEX HEAD BOLTS through 5/16" WASHERS and through the holes drilled for roof bow No. 5. SEE ILLUSTRATION BELOW.

D) Next from inside the van fill the remainder of the gap between the REAR ROOF BRACE and the roof bows with the various "shims" supplied with your ladder rack. SEE ILLUSTRATION BELOW.

E) Now attach 5/16" FLANGE NUTS to each of the HEX HEAD BOLTS and "firmly tighten".



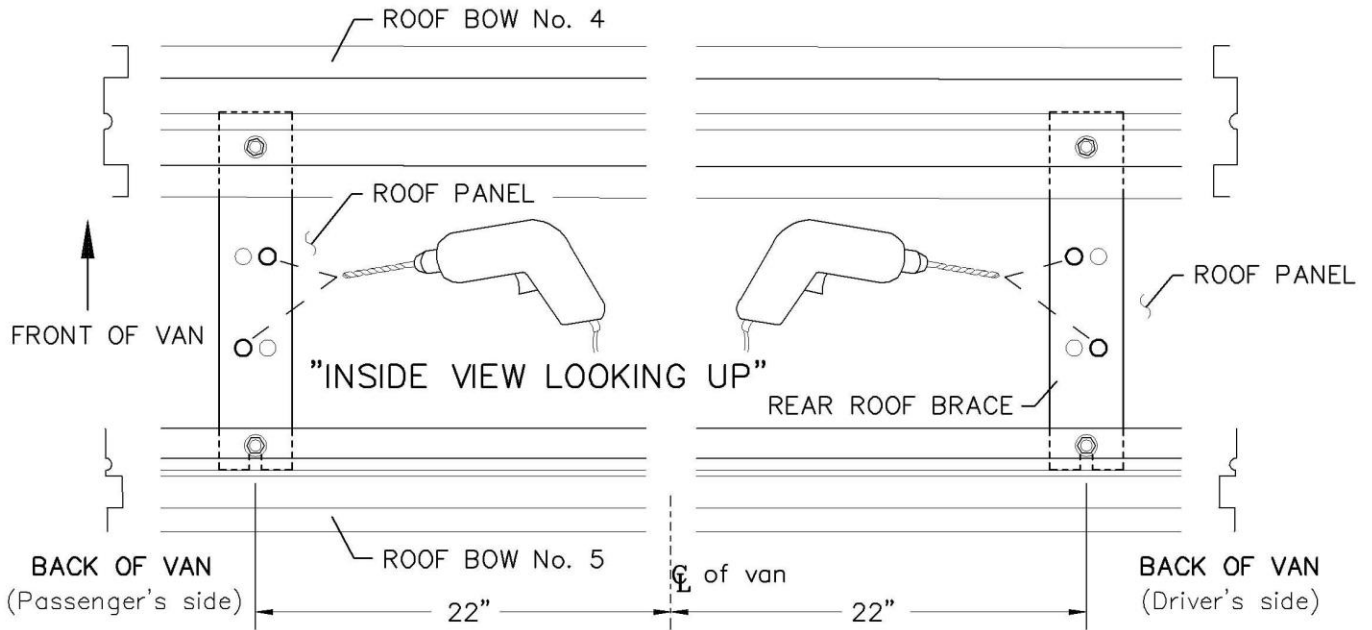
# INSTALLATION

## ASTRO / SAFARI VANS

**STEP-5** (TOOLS: Safety glasses, tape measure, drill, 3/8" drill bit.)

A) Working from inside the van use the REAR ROOF BRACE as a "template" to drill 3/8" diameter holes through the roof panel at the holes in the REAR ROOF BRACES highlighted below.

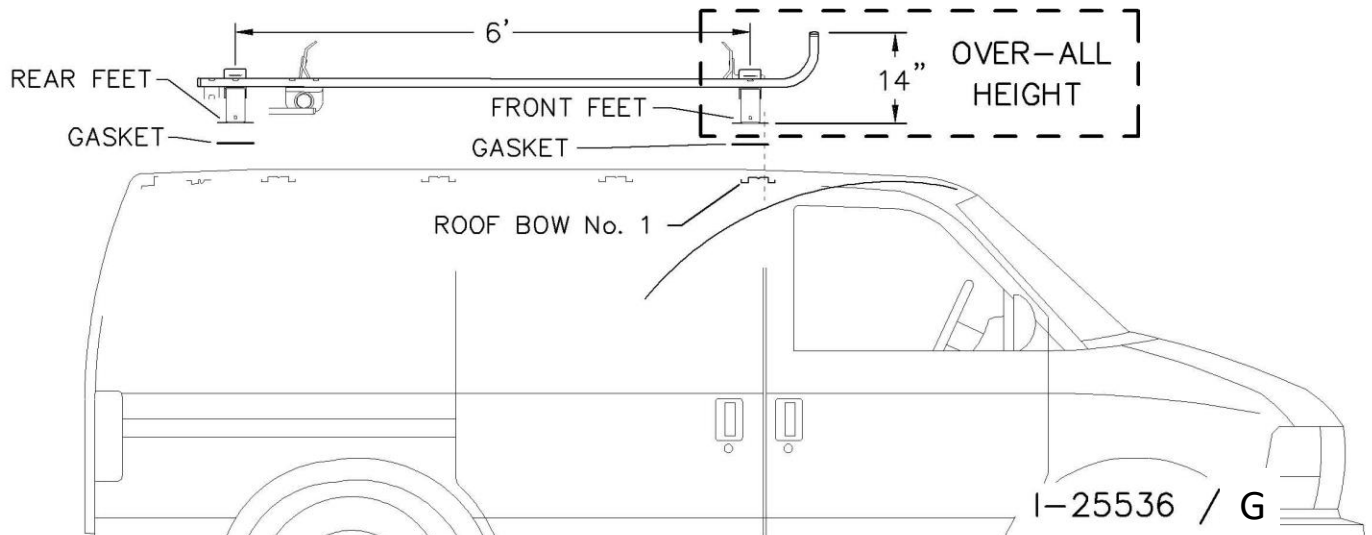
\* Clean up any burrs from the holes you drill & any shavings from the interior & roof of the van. \*



**STEP-6**

A) Carefully set your ladder rack on top of the van placing the GASKETS under all four feet and aligning the front holes in the front feet with the holes you drilled for roof bow No. 1. \*\* NOTE: You might have to adjust the front feet in or out on the front CROSS SUPPORT. \*\*

\* **CAUTION:** AT LEAST TWO OR MORE PEOPLE ARE RECOMMENDED TO SET THE LADDER RACK ON TOP OF THE VEHICLE FOR SAFETY AND TO PROTECT VEHICLE ROOF. \*



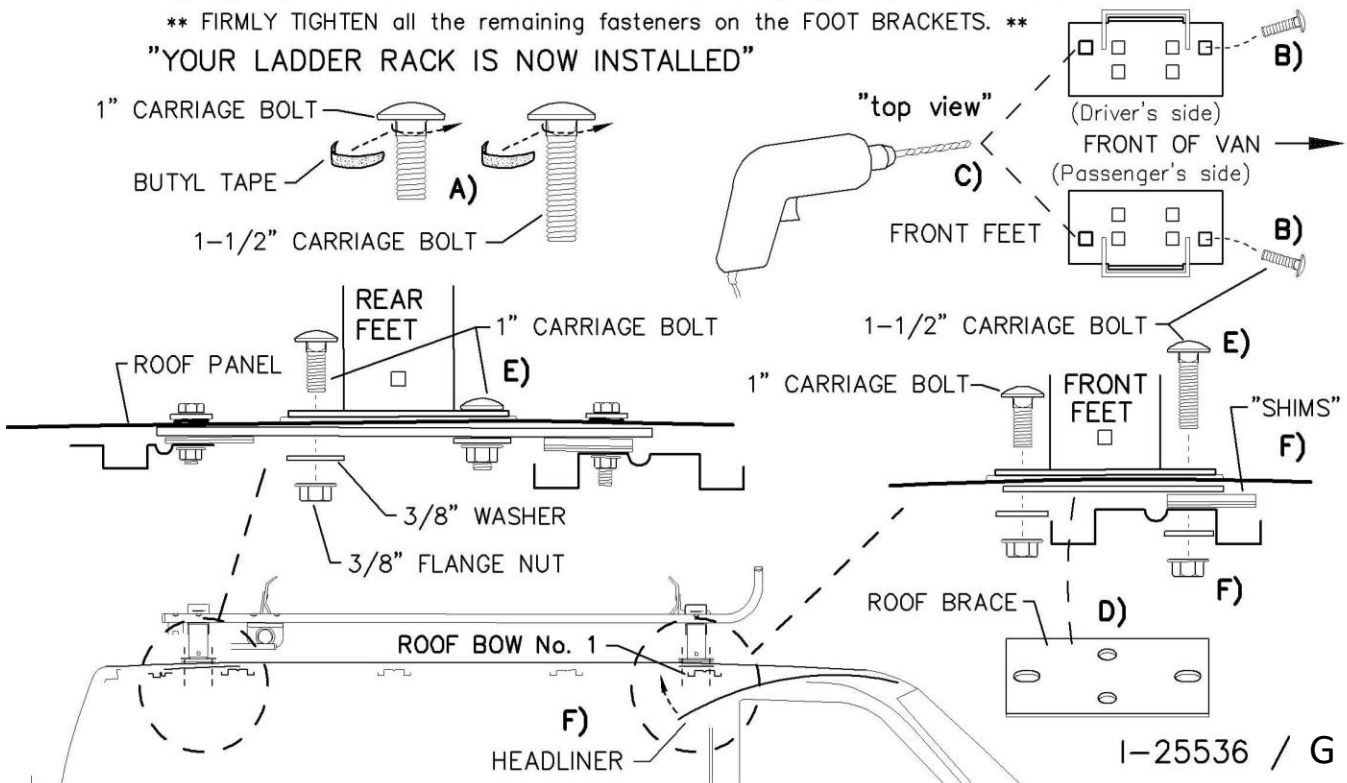
# INSTALLATION

## ASTRO / SAFARI VANS

**STEP-7** (TOOLS: Safety glasses, drill, 3/8" drill bit, 9/16" wrench or deepwell socket & ratchet.)

- A) Peel off approximately 1/2" of BUTYL TAPE and evenly wrap it around the bottom side of each CARRIAGE BOLT head used in this step to seal holes in the FEET.
- B) Working from on top of the van insert a 1-1/2" CARRIAGE BOLT through the front holes in the FRONT FEET and through the holes drilled in roof bow No. 1 & the roof panel.  
\* REFER TO THE "FASTENER TEMPLATE" ON PAGE-5 TO MATCH UP FASTENERS.
- C) Next use the rear holes in the FRONT FEET as a guide and drill through the roof panel with a 3/8" drill bit, then remove the 1-1/2" CARRIAGE BOLT from the front holes.  
SEE ILLUSTRATION BELOW WITH DRILL.  
\* Clean up any burrs from the holes you drill & any shavings from the interior & roof of the van. \*
- D) Now from inside the van insert a ROOF BRACE between roof bow No. 1. & the roof panel and align the front & rear slots in the ROOF BRACE with the front & rear holes drilled for the FRONT FEET.  
\*\* YOU MAY NEED TO CLEAR OUT SOME OF THE SEAL CAULKING BETWEEN THE ROOF BOW & THE ROOF PANEL TO ALLOW ROOM TO INSERT THE ROOF BRACE \*\*
- E) Now from on top of the van insert the 1-1/2" CARRIAGE BOLTS back into the front holes of the FRONT FEET and insert 1" CARRIAGE BOLTS into the rear holes in the FRONT FEET and into the front & rear holes in the REAR FEET (be sure BUTYL TAPE is around the bottom of the bolt heads).  
SEE ILLUSTRATION BELOW.
- F) Now from inside the van fill the gap between the ROOF BRACE & roof bow No. 1 with the "SHIMS" supplied. Now attach a 3/8" WASHER & a 3/8" FLANGE NUT to each of the CARRIAGE BOLTS you just put in the FRONT & REAR FEET and "firmly tighten", now reinstall the headliner.  
\*\* FIRMLY TIGHTEN all the remaining fasteners on the FOOT BRACKETS. \*\*

"YOUR LADDER RACK IS NOW INSTALLED"



# INSTALLATION

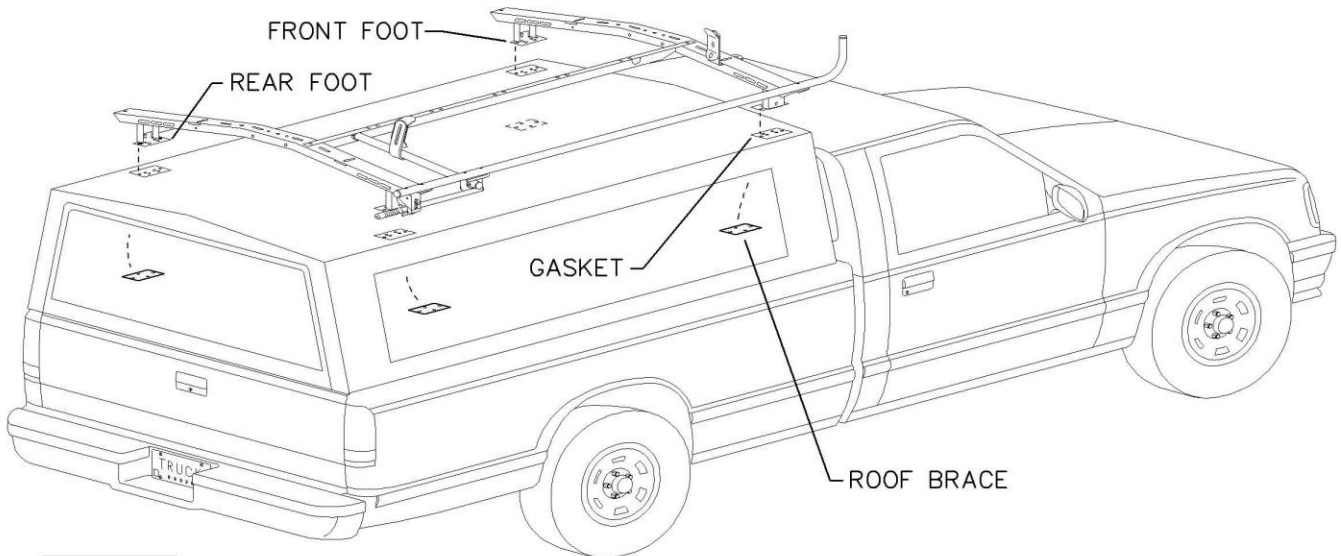
## STEP-1

### LONGBED COMPACT PICK-UPS

A) Carefully set your ladder rack on top of the truck cap as far forward as possible while still allowing enough clearance under the truck cap for installation fasteners to be used. Then "center" your ladder rack from side to side.

\*\* **NOTE:** Some truck caps have built in reinforcement braces. Use these to guide you to where to position your ladder rack. With these truck caps you won't need the ROOF BRACES supplied with your ladder rack. Remember to "center" your ladder rack from side to side. \*\*

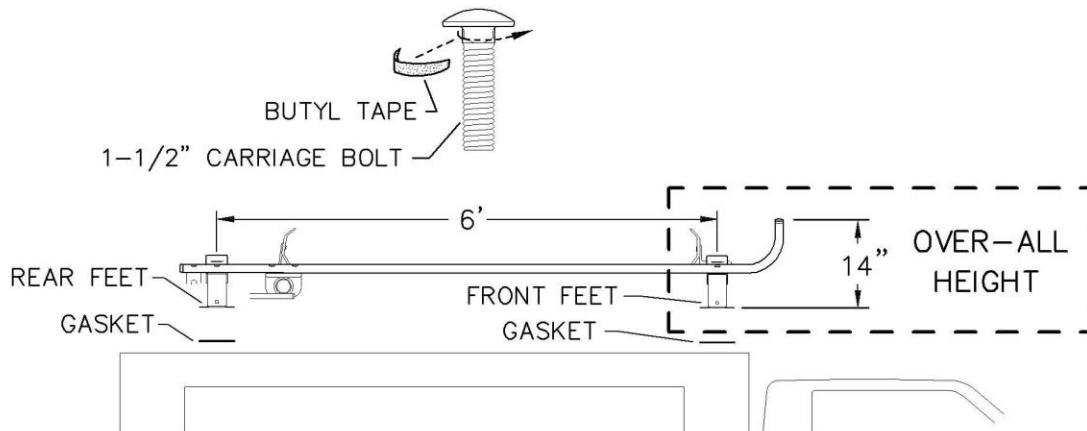
\* **CAUTION:** AT LEAST TWO OR MORE PEOPLE ARE RECOMMENDED TO SET THE LADDER RACK ON TOP OF THE VEHICLE FOR SAFETY AND TO PROTECT VEHICLE ROOF. \*



## STEP-2

A) Peel off approximately 1/2" of BUTYL TAPE and evenly wrap it around the bottom side of each CARRIAGE BOLT head used to mount the ladder rack to seal holes in the FEET.

\* REFER TO THE "FASTENER TEMPLATE" ON PAGE-5 TO MATCH UP FASTENERS.





# INSTALLATION

## LONGBED COMPACT PICK-UPS

**STEP-3** (TOOLS: Safety glasses, drill, 3/8 drill bit, 9/16 wrench or deepwell socket & ratchet.)

A) With the ladder rack properly positioned carefully drill through the truck cap using the ladder rack FEET as a "template". \*\* USE ONLY the outer holes in each FOOT ! \*\*

SEE THE HIGHLIGHTED HOLES IN THE ILLUSTRATION BELOW.

\* Clean up any burrs from the holes you drill & any shavings from the truck bed & roof of the cap. \*

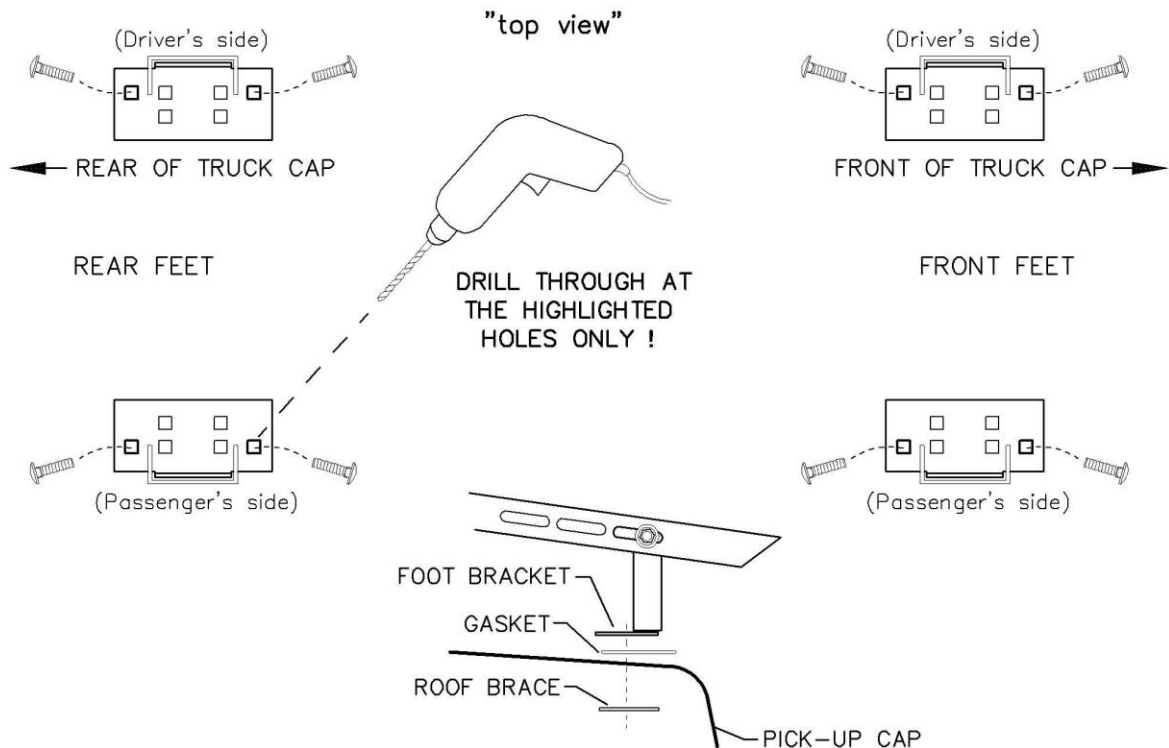
B) Once you have drilled the holes through the truck cap then place a GASKET under each FOOT and align the holes in the GASKET with the holes in the FOOT. Then insert a 1-1/2" CARRIAGE BOLT (make sure BUTYL TAPE is applied under each bolt head) through each hole in the FEET you drilled through.

\* REFER TO THE "FASTENER TEMPLATE" ON PAGE-5 TO MATCH UP FASTENERS.

C) Now from under the truck cap attach a ROOF BRACE for each foot location, then a 3/8" WASHER, and then a 3/8" FLANGE NUT to each 1-1/2" CARRIAGE BOLT sticking through the truck cap and TIGHTEN FIRMLY.

\*\* FIRMLY TIGHTEN all the remaining fasteners on the FOOT BRACKETS. \*\*

"YOUR LADDER RACK IS NOW INSTALLED"

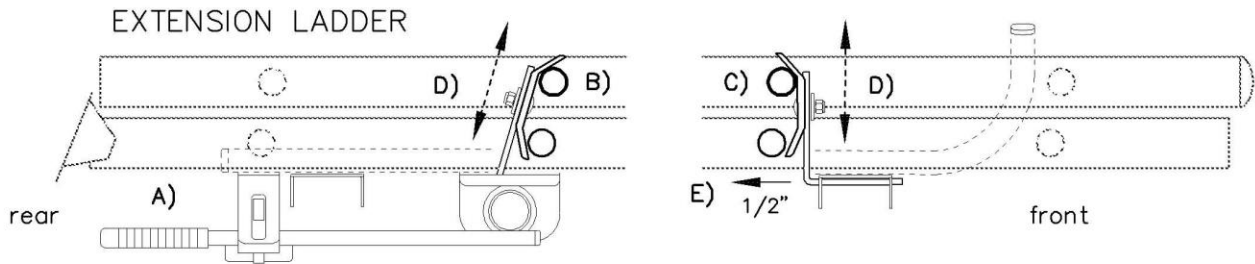


# ADJUSTMENT

**STEP-1** (TOOLS: 9/16 wrench or deepwell socket & ratchet.)

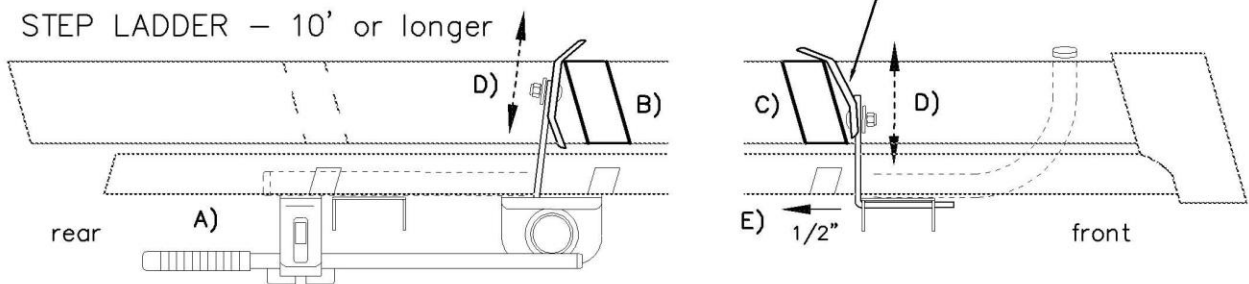
- A) Load your ladder onto the ladder rack (see page 19) and latch the HANDLE BAR into the HANDLE LATCH.
- B) Now slide the ladder back towards the rear of the vehicle and slide the rear CLAMP BRACKET to fit snug over and against the top ladder rung. \*\* See bottom illustration for STEP LADDERS ! \*\* SEE ILLUSTRATION BELOW.
- C) Next slide the FRONT STOP POST at the front of the ladder rack back towards the rear of the vehicle and fit the front CLAMP BRACKET to the top ladder rung the same as the rear.
- D) Firmly tighten both front and rear CLAMP BRACKETS to their posts and tighten snug the FRONT STOP POST to the front CROSS SUPPORT.
- E) Now unlatch the HANDLE BAR and unload your ladder. Next loosen the FRONT STOP POST and slide it out towards the rear of the vehicle 1/2" and FIRMLY RETIGHTEN ! YOUR LADDER RACK SHOULD NOW BE ADJUSTED FOR YOUR LADDER.

\*\* CAUTION: Never carry your ladder to extend past the rear bumper. \*\*



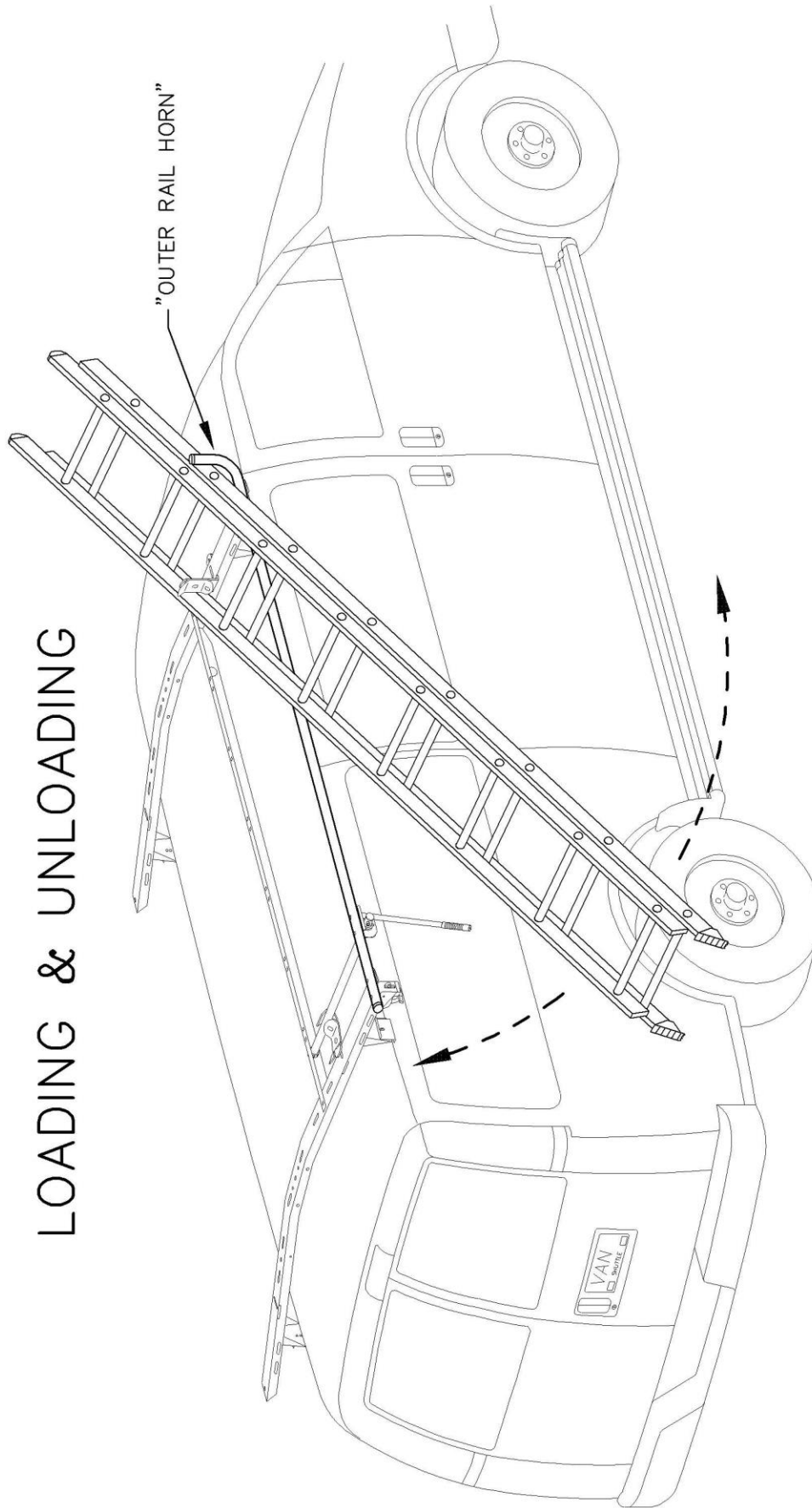
CAUTION: Never clamp up the first step and the head of the STEP LADDER !

Front CLAMP BRACKET must be attached like this !



NOTE: For STEP LADDERS UNDER 10' order a "68-3 Step Ladder Kit".

# LOADING & UNLOADING



TO SAFELY LOAD & UNLOAD YOUR LADDER USE THE "OUTER RAIL HORN" AS  
A PIVOT POINT TO SUPPORT THE FRONT OF THE LADDER.  
THIS WILL MAKE LOADING & UNLOADING YOUR LADDER A LOT EASIER AND SAFER !