



Introduction / Comments:

THIS LADDER RACK IS DESIGNED TO MOUNT TO THE FACTORY ATTACHMENT POINTS. REMOVE PLASTIC PLUGS TO INSTALL NEW RACK.

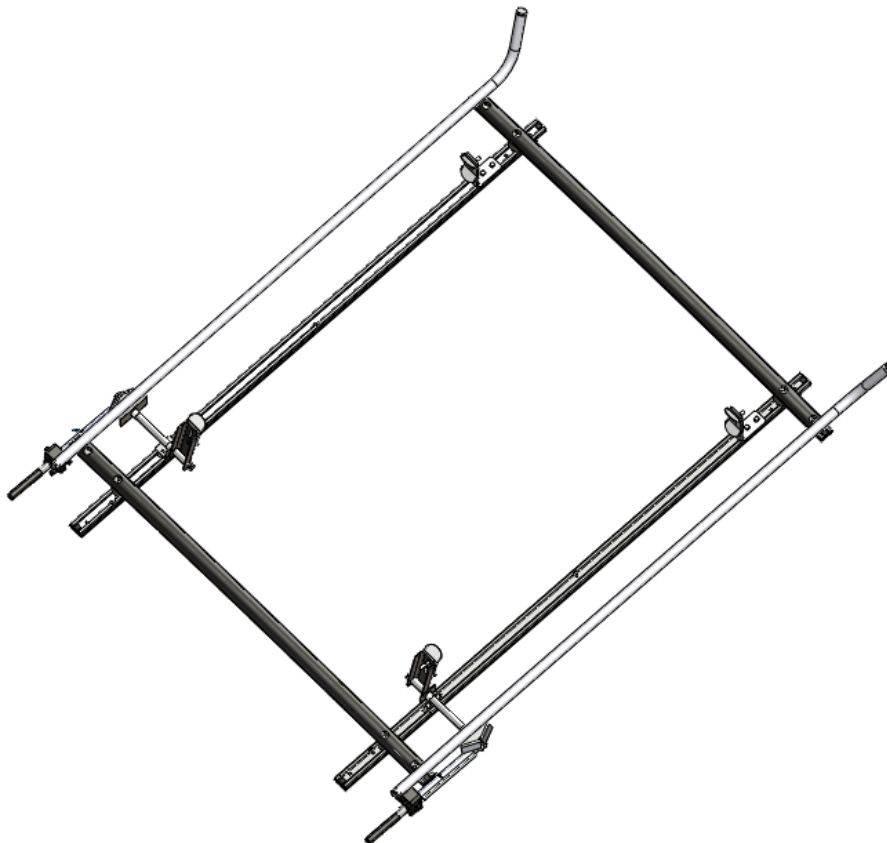
THIS RACK IS DESIGNED FOR AND RATED TO CARRY UP TO 24' EXTENSION LADDERS OR 115 LBS EVENLY DISTRIBUTED ON THE RACK. BE SURE ANY LOAD OR LADDER IS PROPERLY SECURED TO THE RACK PRIOR TO MOVING VEHICLE.

INSTALLATION OF THIS RACK DOES **NOT** ACCOMMODATE USE OF SUNROOF!!!

NOTE : THIS RACK UTILIZES SPECIFIC STREET AND CURB SIDE ROOF RAILS AND OUTER RAILS!!!

Note:

It is advised that all fasteners used in this assembly and installation of this Rack should be checked for tightness at the following intervals: @ 2-weeks and again @ 6-weeks of operation. This preventive maintenance step must be completed to ensure your package gives you long service life.



63-PMC DOUBLE GRIP-LOCK LADDER RACK ASM FOR DODGE PROMASTER CITY CARGO VAN



- PRECAUTIONS -



CAUTION
THE USE OF AIR IMPACT TOOLS CAN
OVER-TORQUE FASTENERS AND
CAUSE FASTENER FAILURE!



CAUTION
ALL INSTALLATION HOLES SHOULD BE SEALED
WITH SILICON OR BUTYL SEALANT TO PREVENT
EXHAUST FUMES FROM ENTERING THE VEHICLE!



DANGER
INSPECT FOR FUEL TANK, FUEL LINES, BRAKE LINES, HIGH
VOLTAGE BATTERIES AND ELECTRICAL LINES PRIOR TO
DRILLING TO AVOID DAMAGING CRITICAL VEHICLE SYSTEMS
OR INJURY TO INSTALLER DURING INSTALLATION PROCESS!



CAUTION
TO AVOID DAMAGING THE VEHICLE ALWAYS
USE DRILL STOPS WHEN DRILLING ANY IN-
STALLATION HOLES!



- IMPORTANT WARRANTY REQUIREMENTS -

1. SUBSTITUTING ADRIAN STEEL SPECIFIED FASTENERS FOR ASSEMBLY AND/OR INSTALLATION WILL VOID YOUR PRODUCT WARRANTY.
2. ALL HOLES DRILLED INTO VEHICLE SHOULD HAVE THE RAW METAL EDGES SEALED WITH A SELF-ETCHING PRIMER TO RESIST CORROSION AND POTENTIAL FASTENER POINT FAILURE.
3. ALL FASTENERS USED IN THE INSTALLATION OF THIS PRODUCT SHOULD BE TIGHTENED TO THE TORQUE(S) SPECIFIED IN THESE INSTRUCTIONS.
4. THESE INSTRUCTIONS SHOULD BE KEPT WITH THE VEHICLE.

THE BASIC TOOLS NEEDED FOR MOST INSTALLATIONS



DRILL



DRILL BIT WITH
STOP



RATCHET, SOCKETS
AND/OR WRENCHES



SCREWDRIVERS



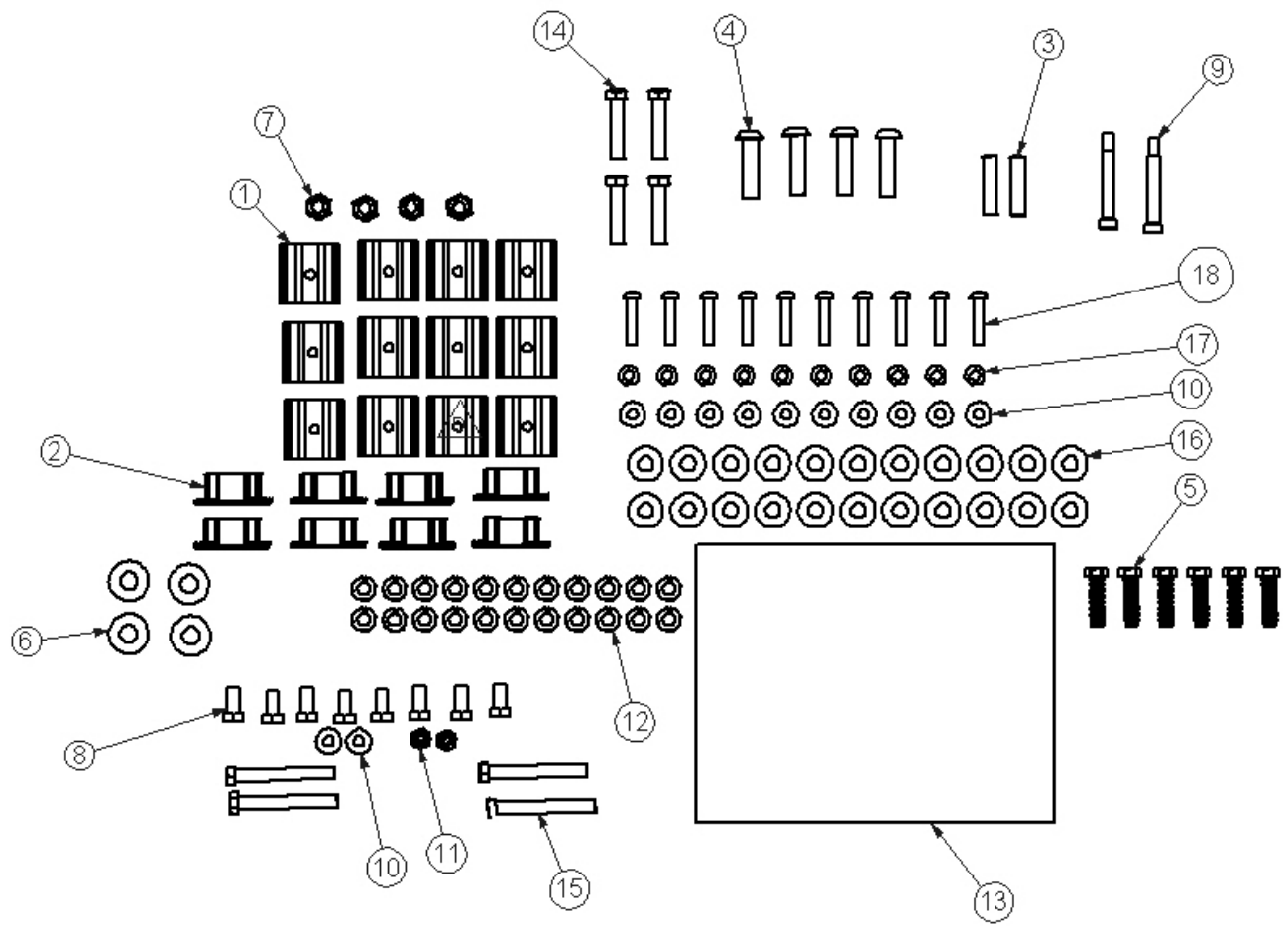
MEASURING TAPE

ADDITIONAL TOOLS MAY BE NEEDED FOR THIS INSTALLATION AND THEY WILL BE IDENTIFIED IN THE STEPS THAT FOLLOW.



**BAG63PMC
FASTENER BAG FOR 63-PMC LADDER RACK**

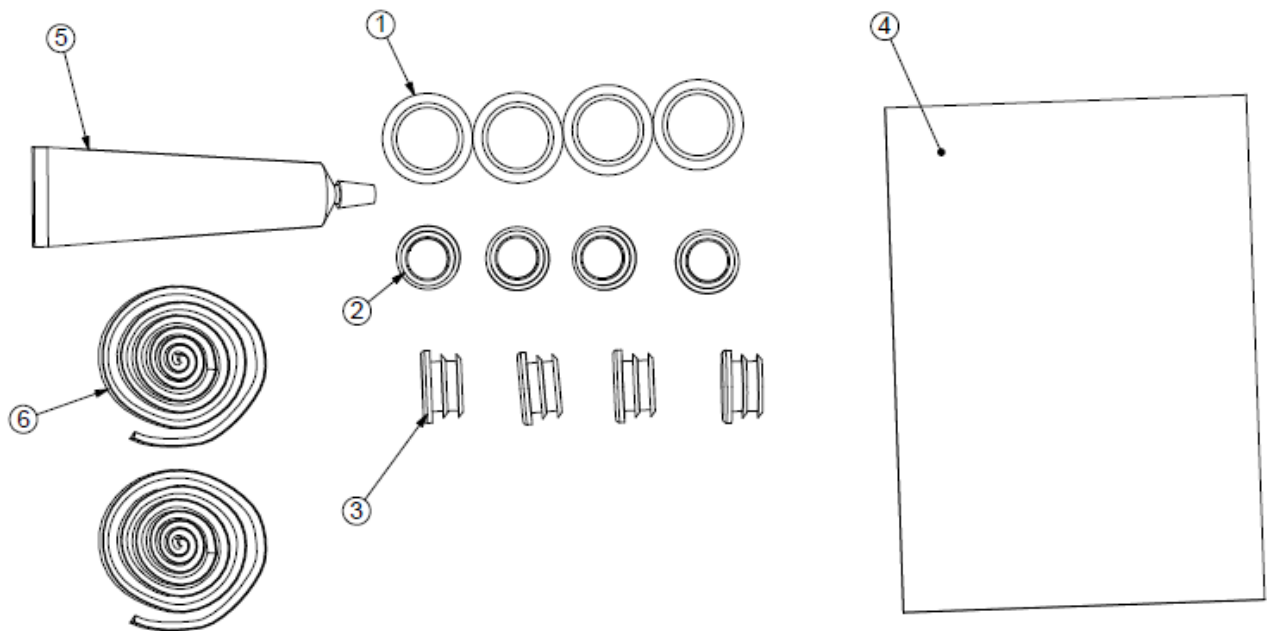
ITEM NO.	PART NUMBER	DESCRIPTION	QTY.
1	35335-0	SLIDE	12
2	36496-0	END CAP	8
3	FAS0698	PIN, SPRING .312X1.50 SS	2
4	FAS0577	Screw, Button Hd Hex Soc, 3/8-16x1.50 NI-ZN	4
5	FAS0830	Screw, Hex Hd, 5/16-18 X 1.25 SS	6
6	FAS 0720	Washer, Flat 3/8 SS	4
7	FAS0110	Nut, Hex Nylk 3/8-16 SS W	4
8	FAS0717	Screw, Hex Hd, 5/16-18x.625 SST	8
9	FAS0740	Shoulder Bolt,	2
10	FAS0234	Washer, Flat, 1/4, SST	12
11	FAS0125	Nut, Nylon Insert Lock, 1/4-20 SST	2
12	FAS0588	Washer, Lock, Split, 5/16, SS	22
13	BAG0709-A	7" x 9" 3MIL AUTOBAG	1
14	FAS0242	Screw, Hex Hd, 5/16-18x1.50 Stainless Steel	4
15	FAS0243	Screw, Hex Hd, 5/16-18x2.50 Stainless Steel	4
16	FAS0552	Washer, Flat, 5/16, SST	22
17	FAS0672	Washer, Lock, Split, 1/4", SST	10
18	FAS0315	Screw, Button Hd Hex Soc, M6-1 X 30 mm lg, SST	10





BAG45260 ACCESSORY BAG FOR 63-PMC

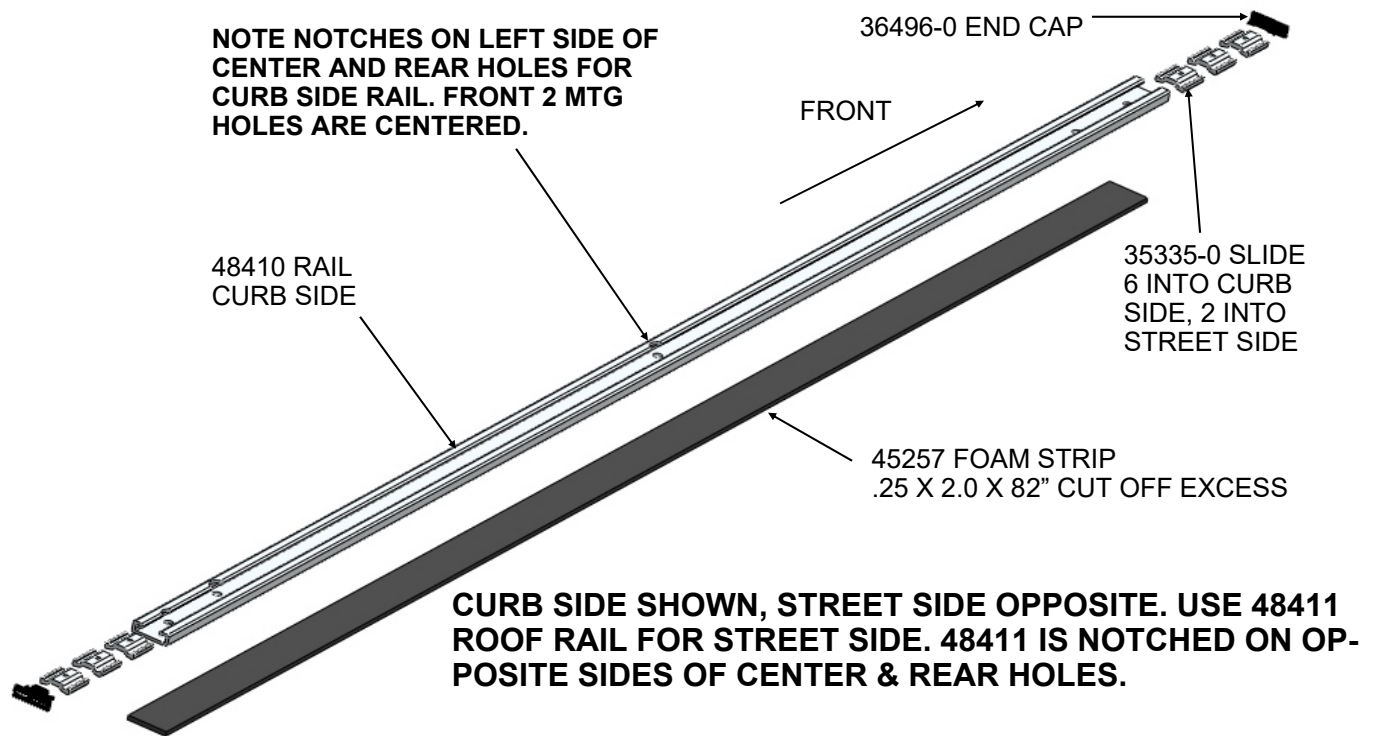
ITEM NO.	PART NUMBER	DESCRIPTION	BAG45260/QTY.
1	38846-B	BUSHING, G/L, TC	4
2	37517-0	End Cap, Black	4
3	51363	CAP PLUG, RND, BLK, 1 DIA	4
4	BAG0507-A	5' x 7' 3MIL AUTOBAG	1
5	28818-0	Silicone Sealant	1
6	05586-0	Butyl Tape, T224 -1/2"X 1' Roll	2





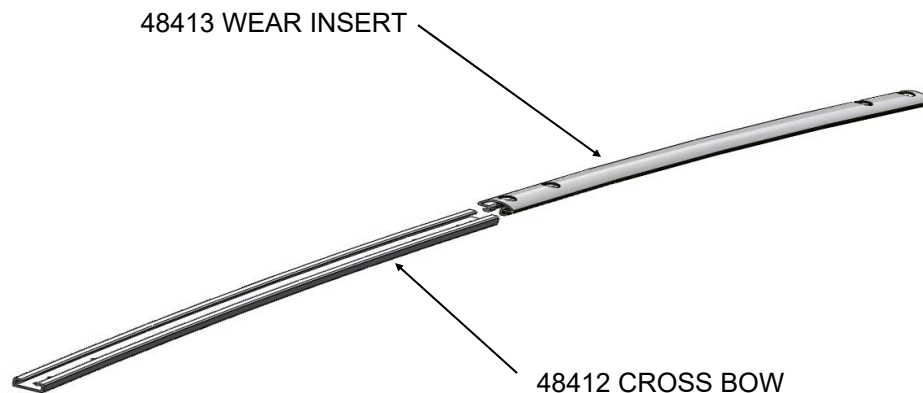
STEP #01: ASSEMBLE ROOF RAILS. NOTE DIFFERENCES BETWEEN STREET AND CURB SIDE ROOF RAILS!!

INSERT (6) 35335-0 SLIDES INTO EACH ROOF RAIL AND (1) 36496-0 END CAP INTO EACH END (4 TOTAL). PEEL AND STICK FOAM STRIP TO BOTTOM OF EACH RAIL.



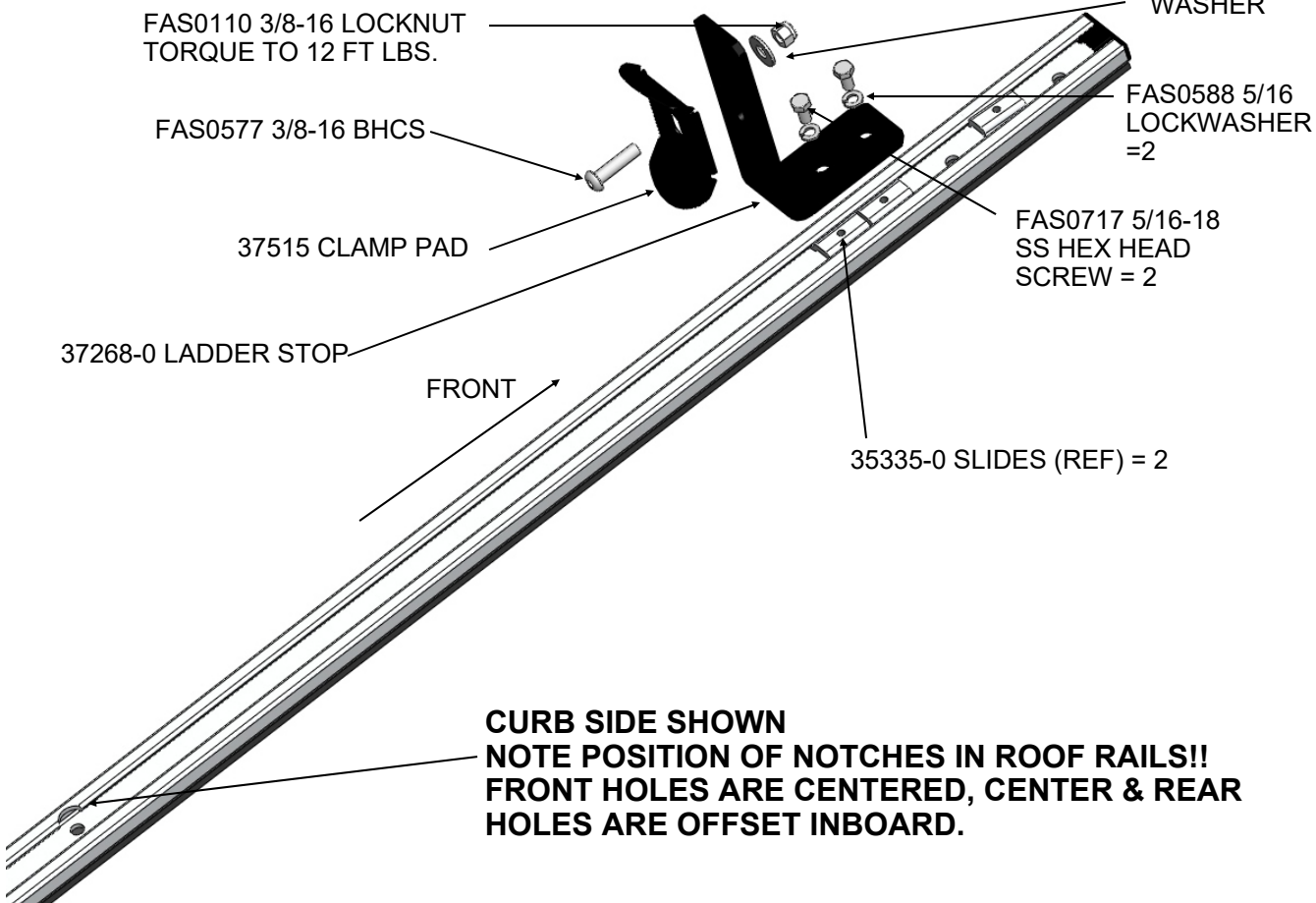
STEP #02 : ASSEMBLE 2 CROSS BOW ASMs.

SLIDE WEAR INSERT INTO CROSS BOW UNTIL INNER HOLES LINE UP ON EACH END. INSERT (1) 36496-0 END CAP INTO EACH END OF EACH BOW ASM. TIP : BEND WEAR INSERT TO MATCH CURVATURE OF BOW WHILE INSERTING. SOME MATERIAL WILL SHAVE OFF AS THIS IS AN INTERFERENCE FIT!

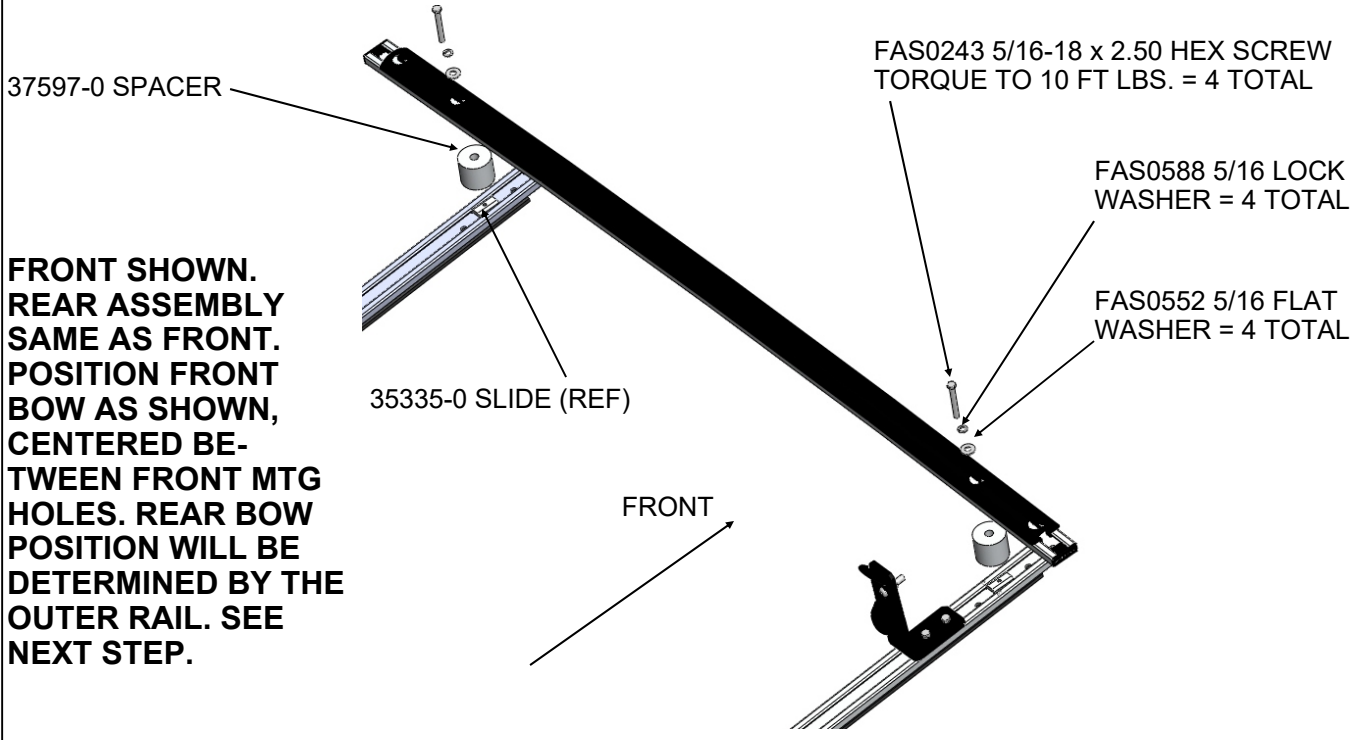




STEP #03 : ASSEMBLE LADDER STOPS TO ROOF RAILS, 1 EACH RAIL



STEP #04 : ASSEMBLE BOW ASMS TO ROOF RAILS

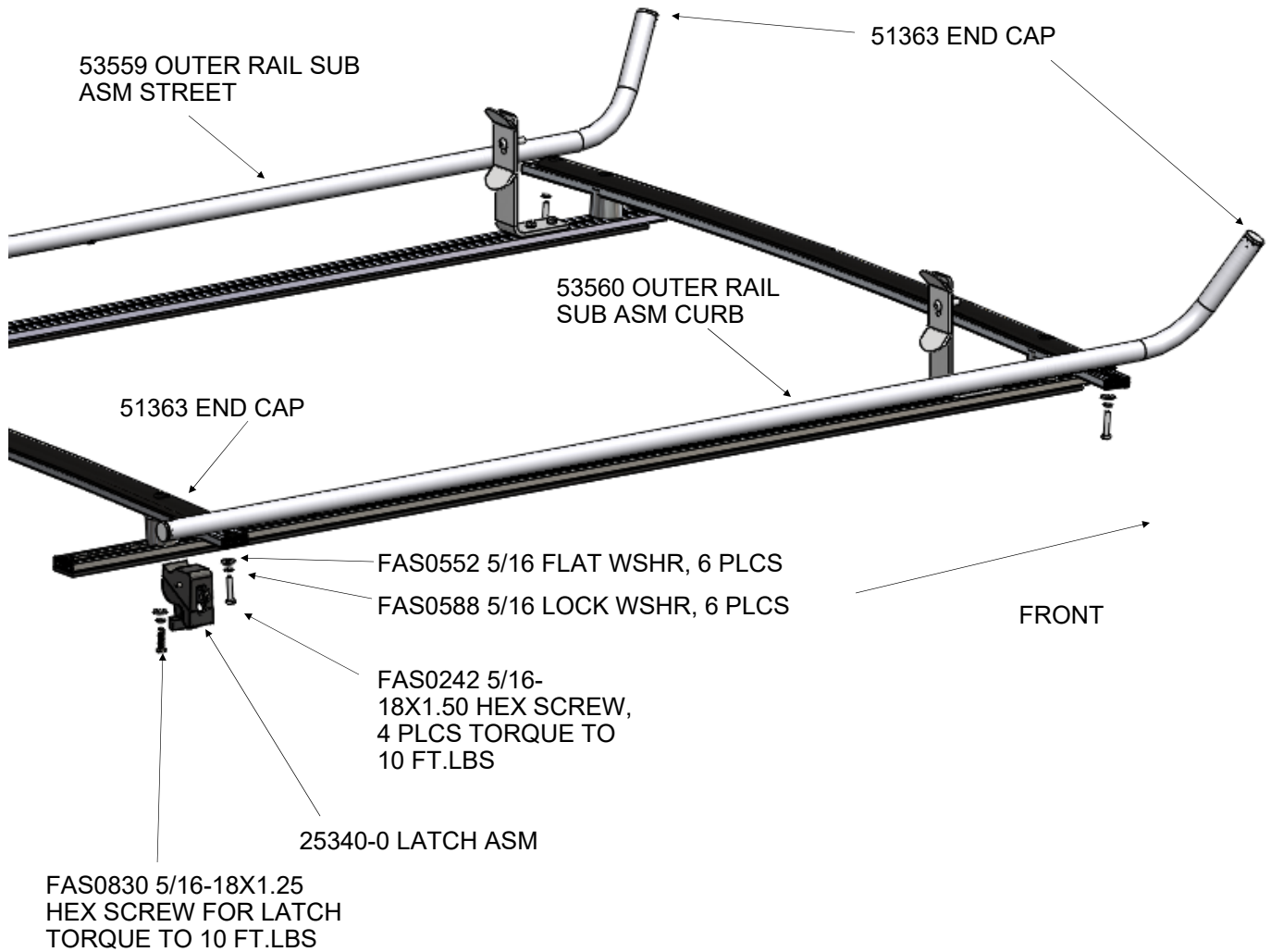




STEP #05 ASSEMBLE OUTER RAILS TO RACK

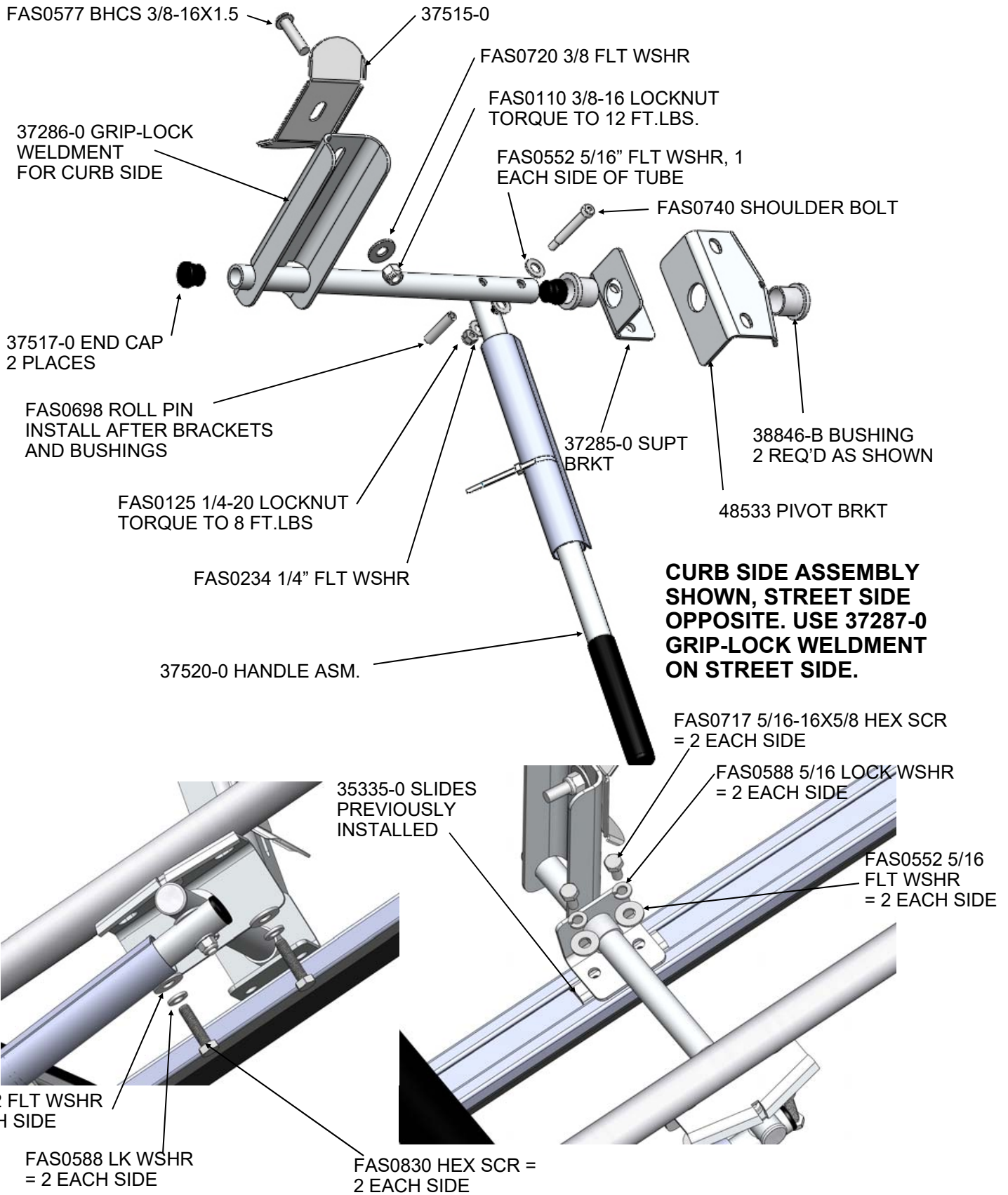
INSTALL (2) 51363 END CAPS INTO TUBE ENDS, INSTALL LATCH ASM AS SHOWN AND INSTALL ASM ON RACK.

NOTE : OUTER RAILS HAVE 5/16 RIVNUTS IN BOTTOM SIDE FOR ATTACHMENT.





STEP #06 ASSEMBLE GRIP-LOCK MECHANISM AND INSTALL ON RACK

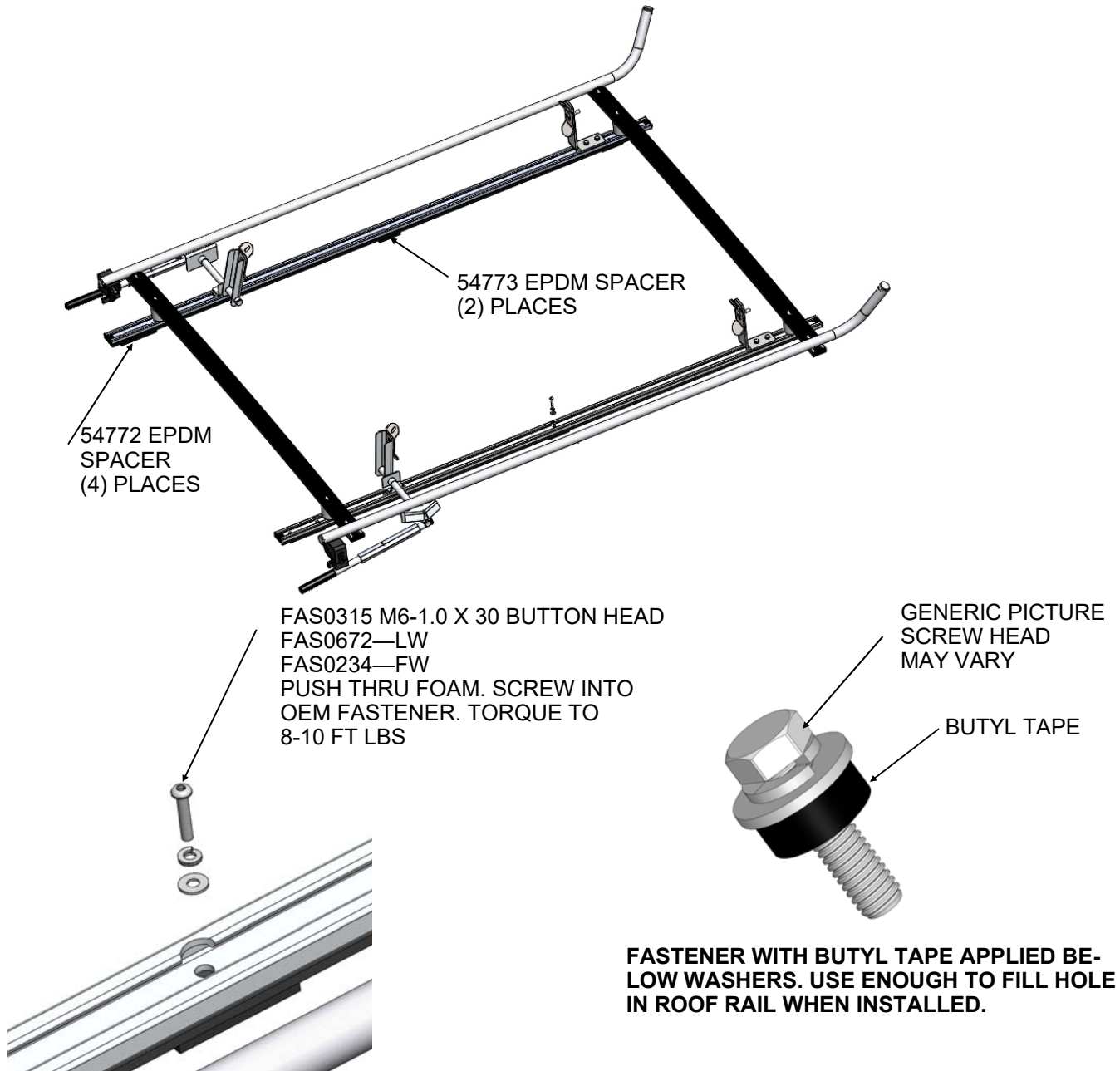




STEP #07 ASSEMBLE GRIP-LOCK RACK TO VEHICLE

REMOVE OEM PLASTIC PLUGS (10) FROM ROOF. THESE ARE THE ATTACHMENT POINTS FOR THE RACK. POSITION THE RACK ON ROOF, ADD THE SPACERS AND SCREW THE FAS0315 SCREWS INTO THE OEM

FASTENERS IN ROOF AFTER APPLYING SOME BUTYL TAPE UNDER WASHERS (SEE VIEW BELOW). TORQUE AS SHOWN. FASTENERS SHOWN BELOW ARE TYPICAL AT ALL ATTACHMENT POINTS.



DOUBLE-CHECK ALL FASTENER LOCATIONS TO BE SURE THAT ALL FASTENERS ARE TIGHTENED TO SPECIFICATIONS!

