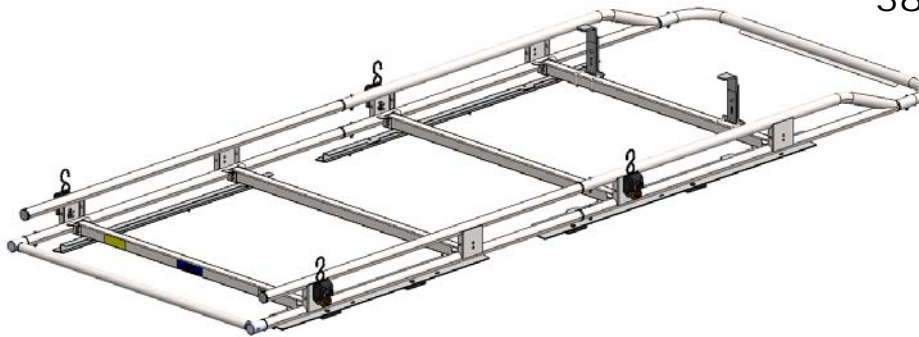


JCI, LOAD RUNNER, TRANSIT

PRODUCT WEIGHT
255 LBS

WIDTH x DEPTH x HEIGHT
38" x 14" x 46"



CAPACITY
200 LBS

COLOR
BLACK

CATALOG NUMBER
60413

PRODUCT FEATURES

This Loadrunner is designed to be mounted to a Ford Transit 148" wheelbase with a low roof configuration. It comes with a rear roller, four integrated retractable ratchet straps, and two adjustable ladder steps. Due to the Transit's roof loading constraints, the capacity of this roof rack has been set to 200 pounds. It extends from the rear of the vehicle to the start of the windshield.

SEE PAGE 2 FOR APPLICATION NOTES AND ACCESSORIES, OTHER PRODUCTS THAT WORK WITH THIS UNIT.



CATALOG NUMBER 60413

PRODUCT APPLICATION

This product is designed to be installed using ad rail mounting in full size vans.

ACCESSORIES THAT WILL WORK WITH THIS PRODUCT

CATALOG NUMBER	DESCRIPTION
60505	REAR ROLLER
HDW60504	RATCHET STRAP KIT
HDW60596	TRANSIT LR REAR ROLLER KIT
HDW60596	DOUBLE STACK LADDER STOP KIT,

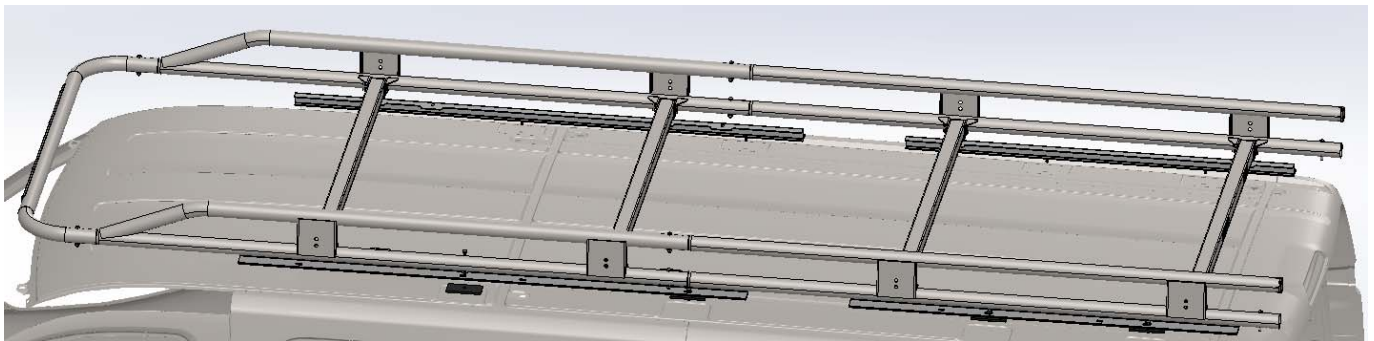
SPECIAL APPLICATION NOTES

Introduction / Comments:

To assemble and Install 60413, JCI Load Runner Transit

Note:

It is advised that all fasteners used in this assembly and installation should be checked for tightness at the following intervals: @ 2-weeks and again @ 6-weeks of operation. This preventive maintenance step must be completed to ensure your Product gives you long service life.



**60501
TRUSS ASM, TRANSIT LR**

- PRECAUTIONS -



CAUTION
THE USE OF AIR IMPACT TOOLS CAN
OVER-TORQUE FASTENERS AND
CAUSE FASTENER FAILURE!



CAUTION
ALL INSTALLATION HOLES SHOULD BE SEALED
WITH SILICON OR BUTYL SEALANT TO PREVENT
EXHAUST FUMES FROM ENTERING THE VEHICLE!



DANGER
INSPECT FOR FUEL TANK, FUEL LINES, BRAKE LINES, HIGH
VOLTAGE BATTERIES AND ELECTRICAL LINES PRIOR TO
DRILLING TO AVOID DAMAGING CRITICAL VEHICLE SYSTEMS
OR INJURY TO INSTALLER DURING INSTALLATION PROCESS!



CAUTION
TO AVOID DAMAGING THE VEHICLE ALWAYS USE DRILL
STOPS WHEN DRILLING ANY INSTALLATION HOLES!
ADRIAN AVAILABLE PART #'S 31119-0 (3/8" X 1/2"
DEEP), 31121-0 (1/2" x 1/2" DEEP)



- IMPORTANT WARRANTY REQUIREMENTS -

1. SUBSTITUTING ADRIAN STEEL SPECIFIED FASTENERS FOR ASSEMBLY AND/OR INSTALLATION WILL VOID YOUR PRODUCT WARRANTY.
2. ALL HOLES DRILLED INTO VEHICLE SHOULD HAVE THE RAW METAL EDGES SEALED WITH A SELF-ETCHING PRIMER TO RESIST CORROSION AND POTENTIAL FASTENER POINT FAILURE.
3. ALL FASTENERS USED IN THE INSTALLATION OF THIS PRODUCT SHOULD BE TIGHTENED TO THE TORQUE(S) SPECIFIED IN THESE INSTRUCTIONS.
4. THESE INSTRUCTIONS SHOULD BE KEPT WITH THE VEHICLE.

THE BASIC TOOLS NEEDED FOR MOST INSTALLATIONS



DRILL



DRILL BIT WITH
STOP



RATCHET, SOCKETS
AND/OR WRENCHES



SCREWDRIVERS

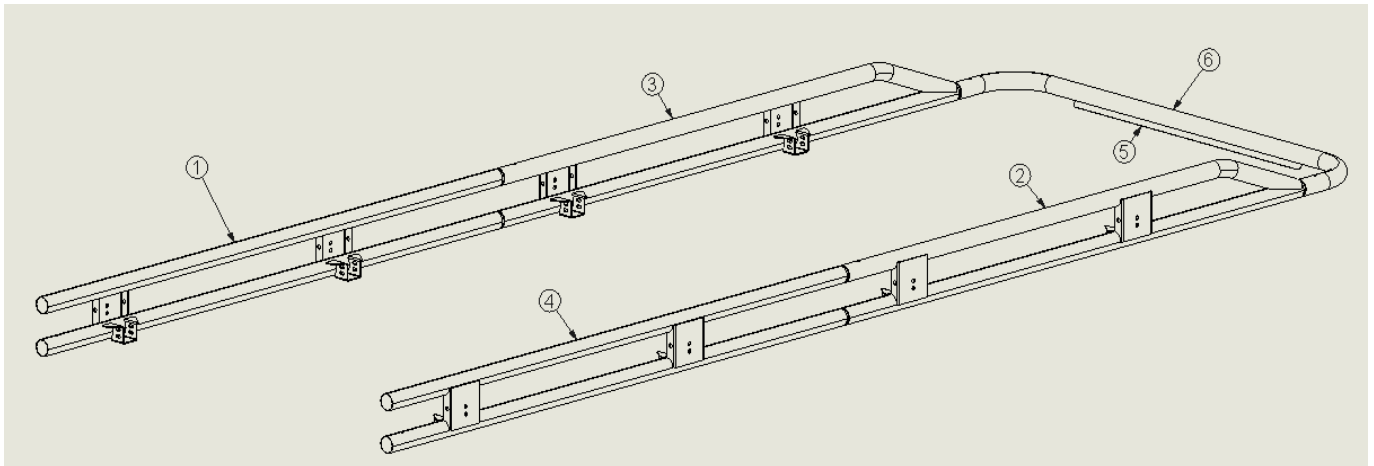


MEASURING TAPE

ADDITIONAL TOOLS MAY BE NEEDED FOR THIS INSTALLATION AND THEY WILL BE IDENTIFIED IN THE STEPS THAT FOLLOW.

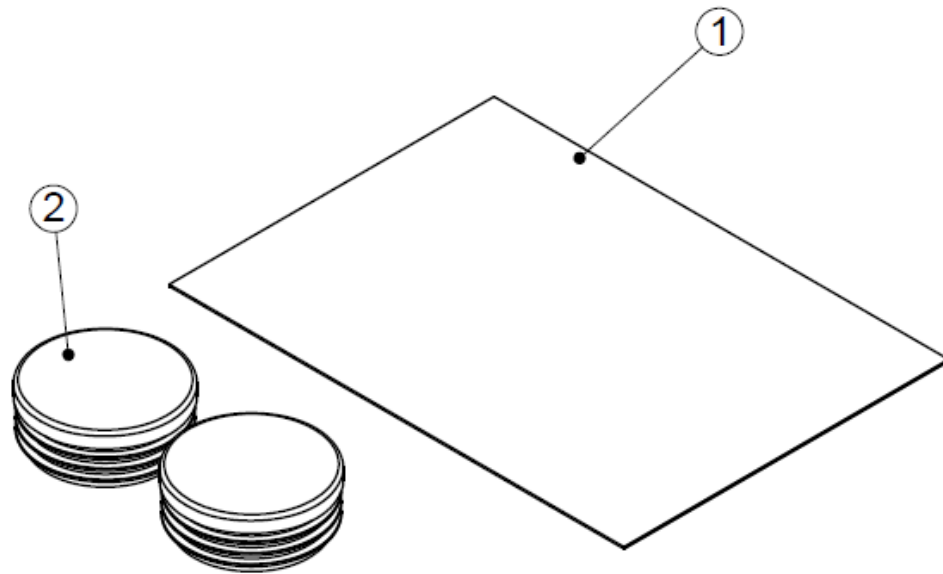
**Installation and/or Assembly
(60501)**

ITEM NO.	PART NUMBER	DESCRIPTION	QTY.
1	60492-B	REAR SS TRUSS, TRANSIT LR	1
2	60491-B	FRONT CS TRUSS, TRANSIT LR	1
3	60490-B	FRONT SS TRUSS, TRANSIT LR	1
4	60493-B	REAR CS TRUSS, TRANSIT LR	1
5	27231-0	Spoiler	1
6	60489-B	FRONT TUBE, TRANSIT LR, BLACK	1



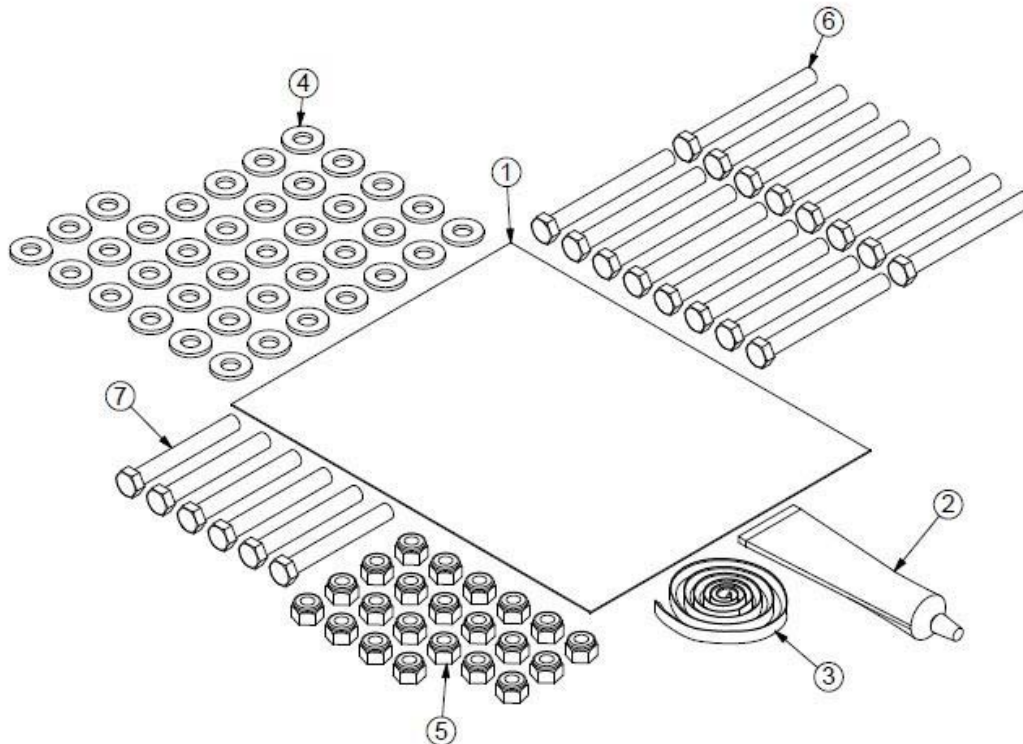
Installation and/or Assembly Fasteners
(BAG60667)

ITEM NO.	PART NUMBER	DESCRIPTION	QTY
1	BAG0507-A	5" x 7" 3MIL AUTOBAG	1
2	26609-0	CAP PLUG, RND 2.000 BLK"	2

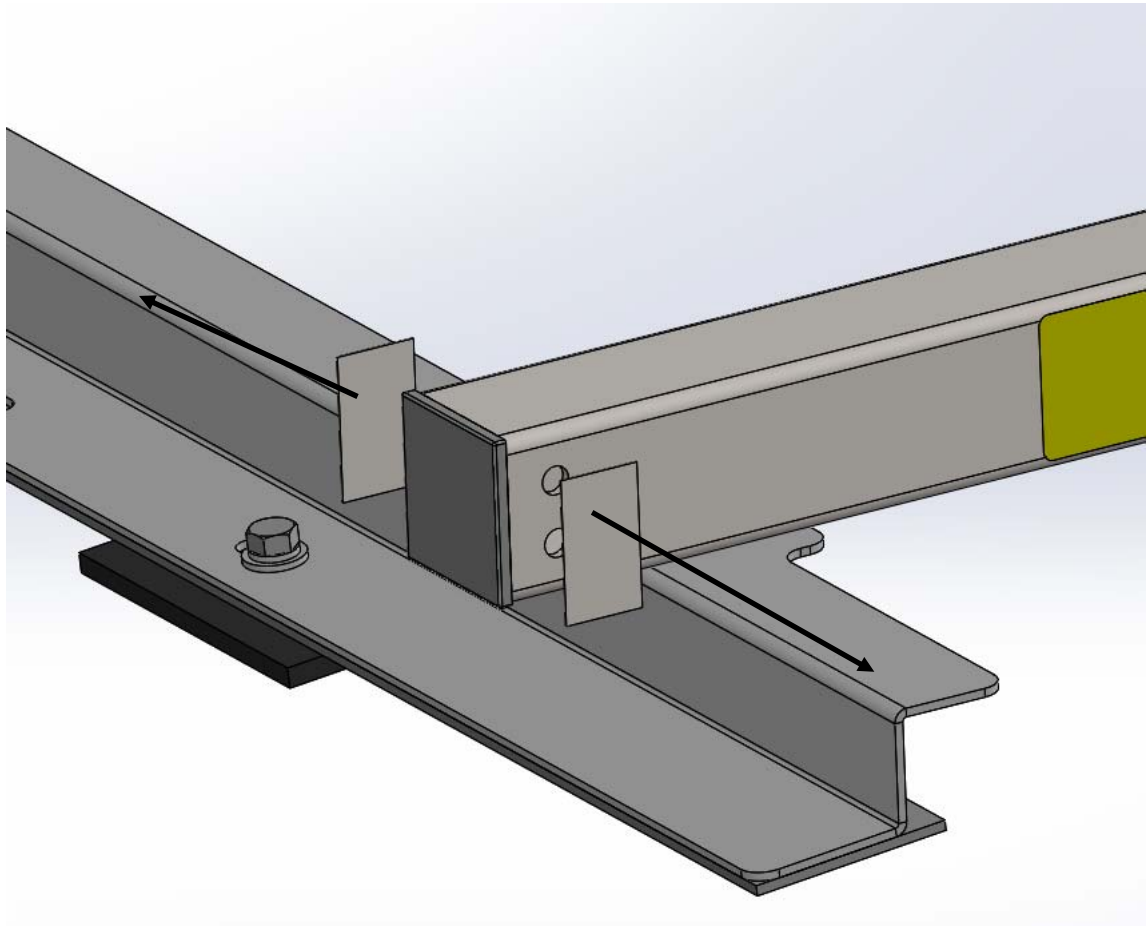


**Installation and/or Assembly Fasteners
(BAG60501)**

ITEM NO.	PART NUMBER	DESCRIPTION	QTY.
1	BAG0709-A	7" x 9" 3MIL AUTOBAG	1
2	26618-0	Silicone Sealant	1
3	05586-0	Butyl Tape, T224 -1/2"X 1" Roll	1
4	FAS0552	Washer, Flat, 5/16, SST	38
5	FAS0248	Nut, Nylon Insert Lock, 5/16-18 SST	22
6	FAS 0244	Screw, Hex Hd, 5/16-18x3.00 Stainless Steel, Grade 5	16
7	FAS0243	Screw, Hex Hd, 5/16-18x2.50 Stainless Steel	6



Step 01 Remove tape from ends of cross members

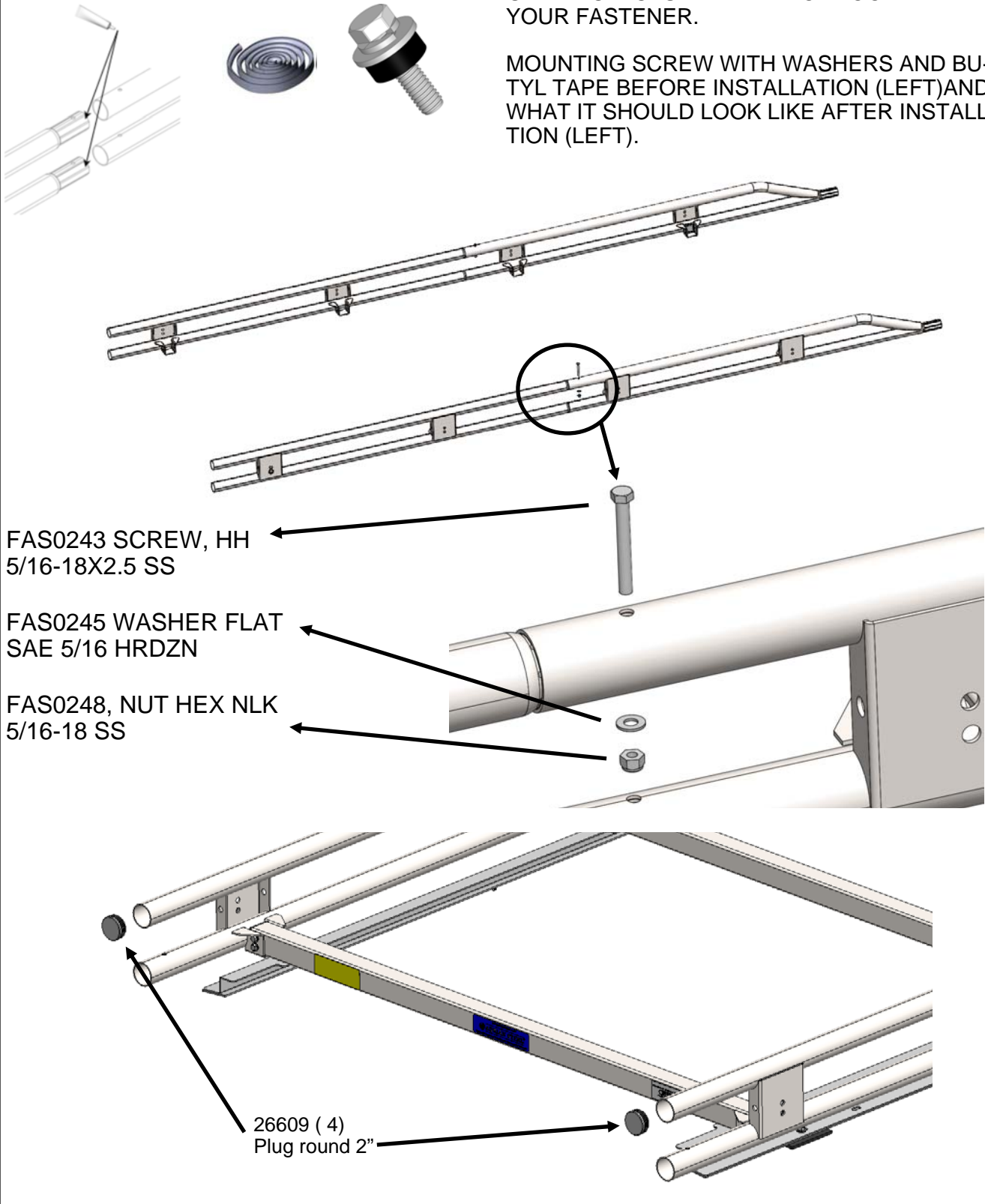


Step 02 Assemble trusses leaving the lower bolt out & add end caps

Add 1/2" of butyl tape to each end of all fasteners. Apply a generous ring of sealant to end of the truss before assembling.

GENERIC PICTURE—MAY NOT LOOK LIKE YOUR FASTENER.

MOUNTING SCREW WITH WASHERS AND BUTYL TAPE BEFORE INSTALLATION (LEFT) AND WHAT IT SHOULD LOOK LIKE AFTER INSTALLATION (LEFT).



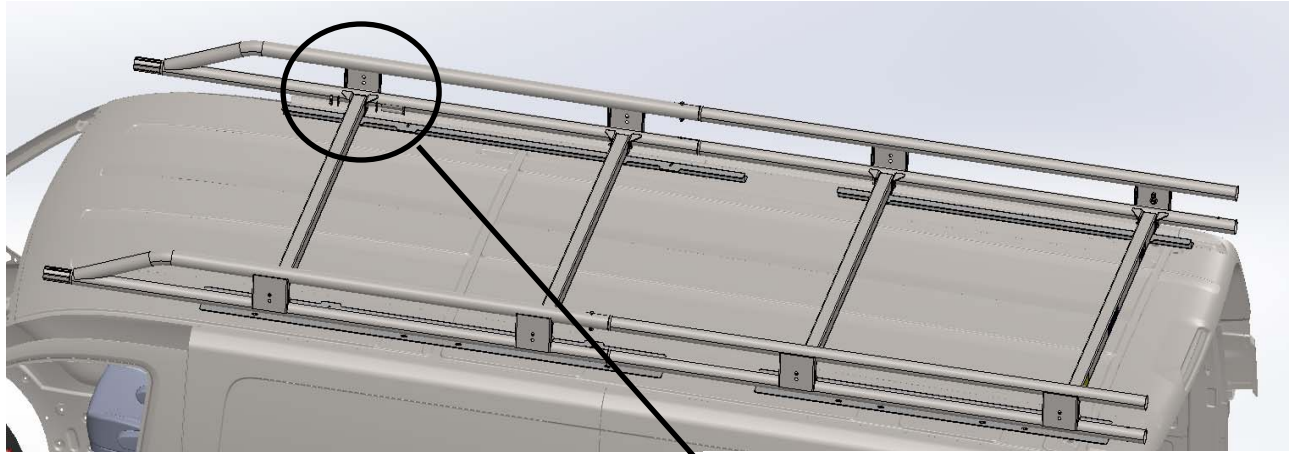
FAS0243 SCREW, HH
5/16-18X2.5 SS

FAS0245 WASHER FLAT
SAE 5/16 HRDZN

FAS0248, NUT HEX NLK
5/16-18 SS

26609 (4)
Plug round 2"

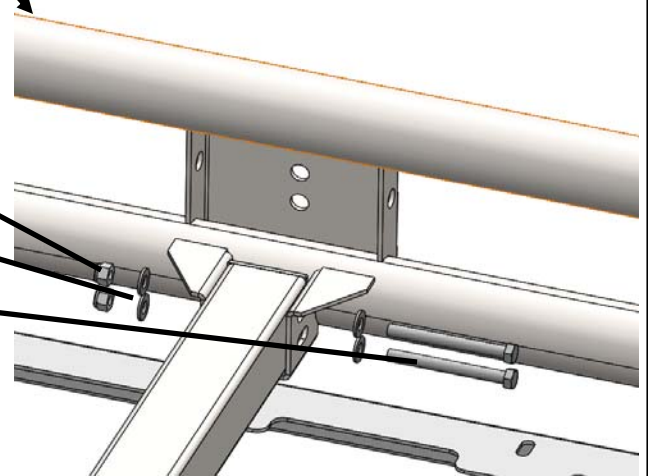
**Step 03 place truss on top of vehicle & mount to tubes,
Keep Fasteners snug but not tight**



FAS0248, NUT HEX NLK
5/16-18 SS

FAS0245 WASHER FLAT
SAE 5/16 HRDZN

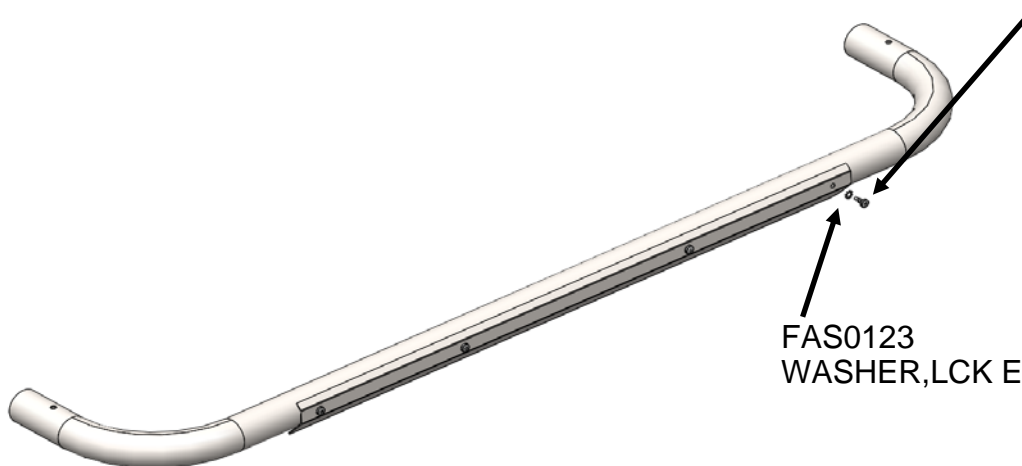
FAS0244 SCREW, HH
5/16 -18X3 SS



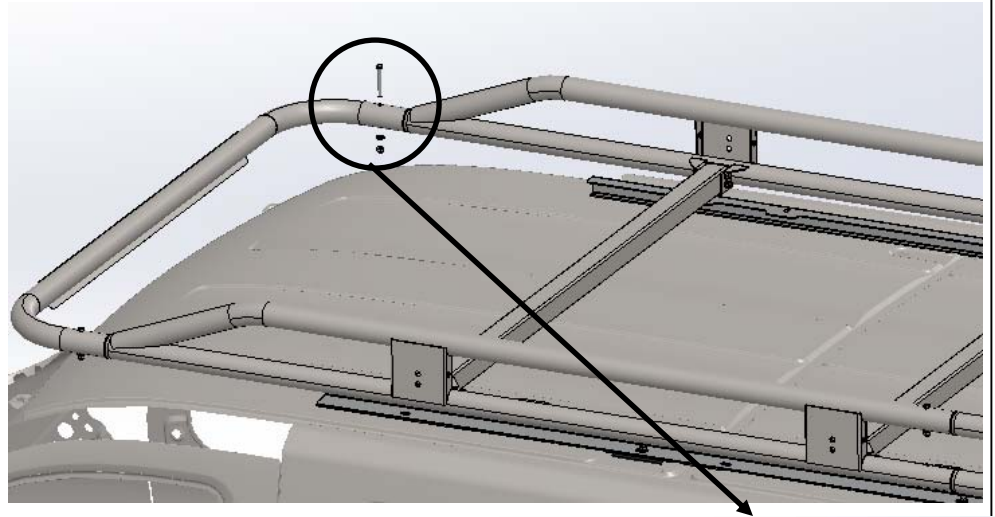
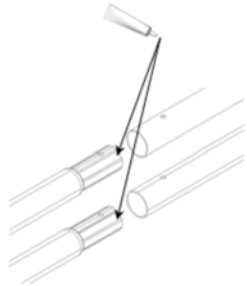
**Step 04 Install spoiler on front hoop. It is recommended to mark the holes
and drill a pilot hole first.**

FAS0360
SCREW, THP TEK14-10 X .75SS

FAS0123
WASHER, LCK EXT1/4 ZN



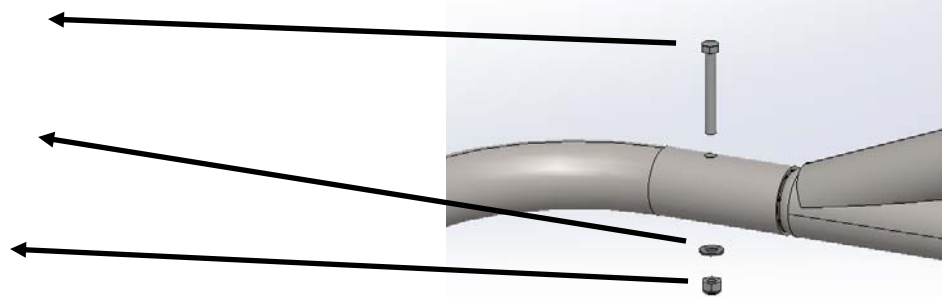
Step 05 Install front hoop, Make sure to use silicone sealant & butyl tape



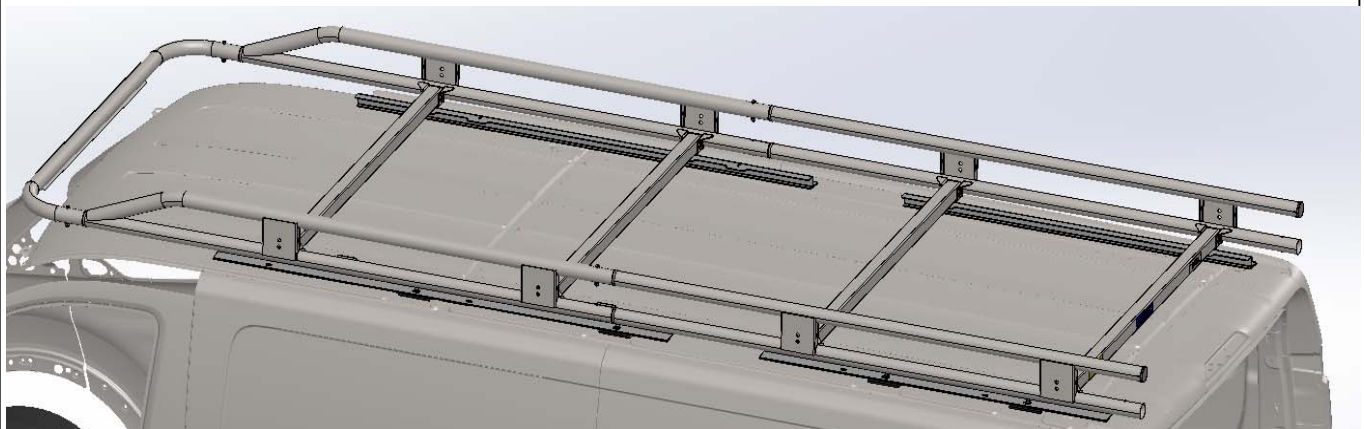
FAS0243 SCREW, HH
5/16-18X2.5 SS

FAS0245 WASHER FLAT
SAE 5/16 HRDZN

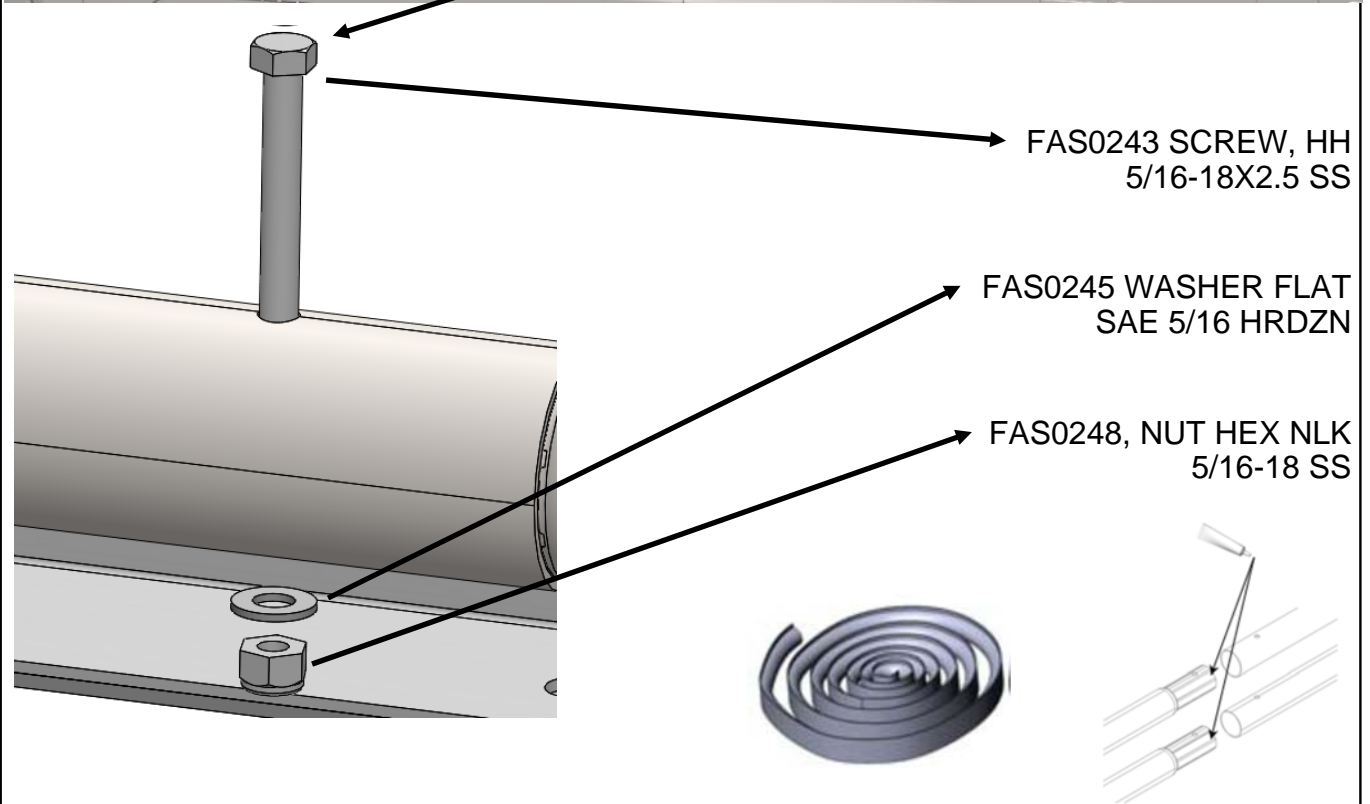
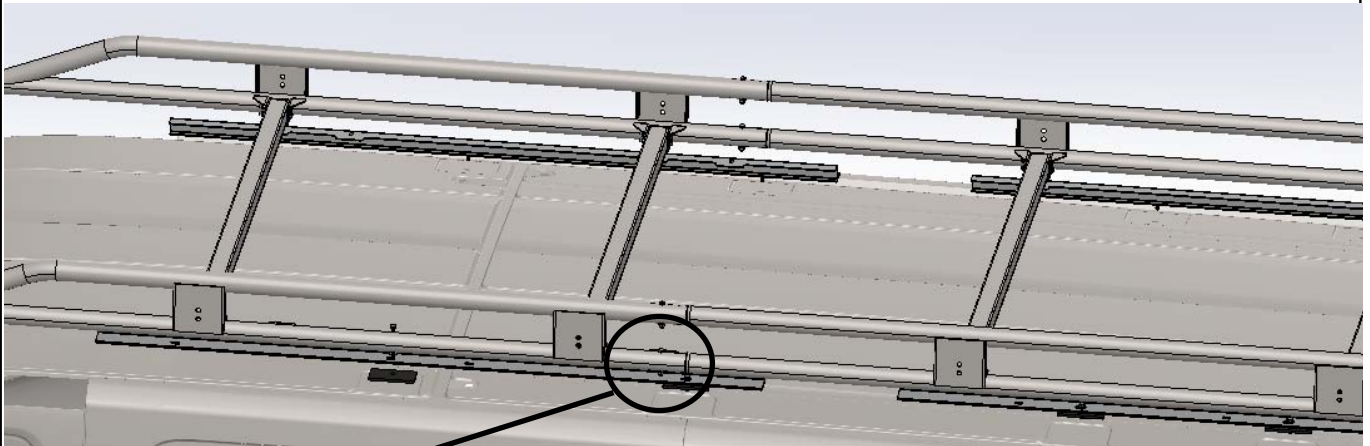
FAS0248, NUT HEX NLK
5/16-18 SS



Step 06 Tighten all trusses



Step 07 Add lower truss bolt, Make sure to use silicone sealant & butyl tape



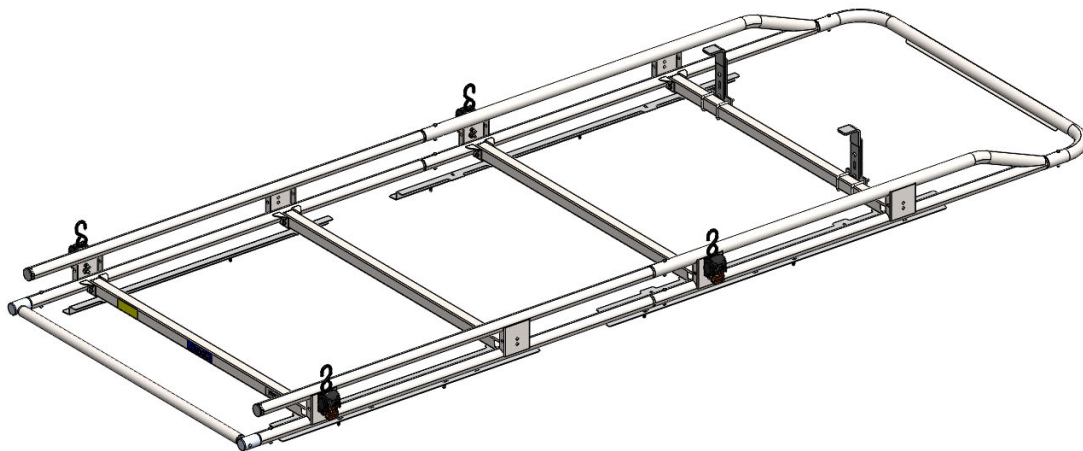
**DOUBLE CHECK ALL FASTENERS LOCATIONS TO BE SURE THAT ALL FASTENERS ARE TIGHTENED TO SPECIFICATIONS.
YOUR INSTALLATION IS NOW COMPLETE!
STOW THIS COPY IN THE VEHICLE FOR FUTURE REFERENCES!**

Introduction / Comments:

TO INSTALL DOUBLE STACK LADDER STOP, JCI (HDW60596) ONTO 60413

Note:

It is advised that all fasteners used in this assembly and installation should be checked for tightness at the following intervals: @ 2-weeks and again @ 6-weeks of operation. This preventive maintenance step must be completed to ensure your Product gives you long service life.



**HDW60596
DOUBLE STACK LADDER STOP KIT,**

- PRECAUTIONS -



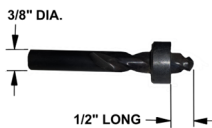
CAUTION
THE USE OF AIR IMPACT TOOLS CAN
OVER-TORQUE FASTENERS AND
CAUSE FASTENER FAILURE!



CAUTION
ALL INSTALLATION HOLES SHOULD BE SEALED
WITH SILICON OR BUTYL SEALANT TO PREVENT
EXHAUST FUMES FROM ENTERING THE VEHICLE!



DANGER
INSPECT FOR FUEL TANK, FUEL LINES, BRAKE LINES, HIGH
VOLTAGE BATTERIES AND ELECTRICAL LINES PRIOR TO
DRILLING TO AVOID DAMAGING CRITICAL VEHICLE SYSTEMS
OR INJURY TO INSTALLER DURING INSTALLATION PROCESS!



CAUTION
TO AVOID DAMAGING THE VEHICLE ALWAYS USE DRILL
STOPS WHEN DRILLING ANY INSTALLATION HOLES!
ADRIAN AVAILABLE PART #'S 31119-0 (3/8" X 1/2"
DEEP), 31121-0 (1/2" x 1/2" DEEP)



- IMPORTANT WARRANTY REQUIREMENTS -

1. SUBSTITUTING ADRIAN STEEL SPECIFIED FASTENERS FOR ASSEMBLY AND/OR INSTALLATION WILL VOID YOUR PRODUCT WARRANTY.
2. ALL HOLES DRILLED INTO VEHICLE SHOULD HAVE THE RAW METAL EDGES SEALED WITH A SELF-ETCHING PRIMER TO RESIST CORROSION AND POTENTIAL FASTENER POINT FAILURE.
3. ALL FASTENERS USED IN THE INSTALLATION OF THIS PRODUCT SHOULD BE TIGHTENED TO THE TORQUE(S) SPECIFIED IN THESE INSTRUCTIONS.
4. THESE INSTRUCTIONS SHOULD BE KEPT WITH THE VEHICLE.

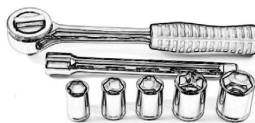
THE BASIC TOOLS NEEDED FOR MOST INSTALLATIONS



DRILL



DRILL BIT WITH
STOP



RATCHET, SOCKETS
AND/OR WRENCHES



SCREWDRIVERS

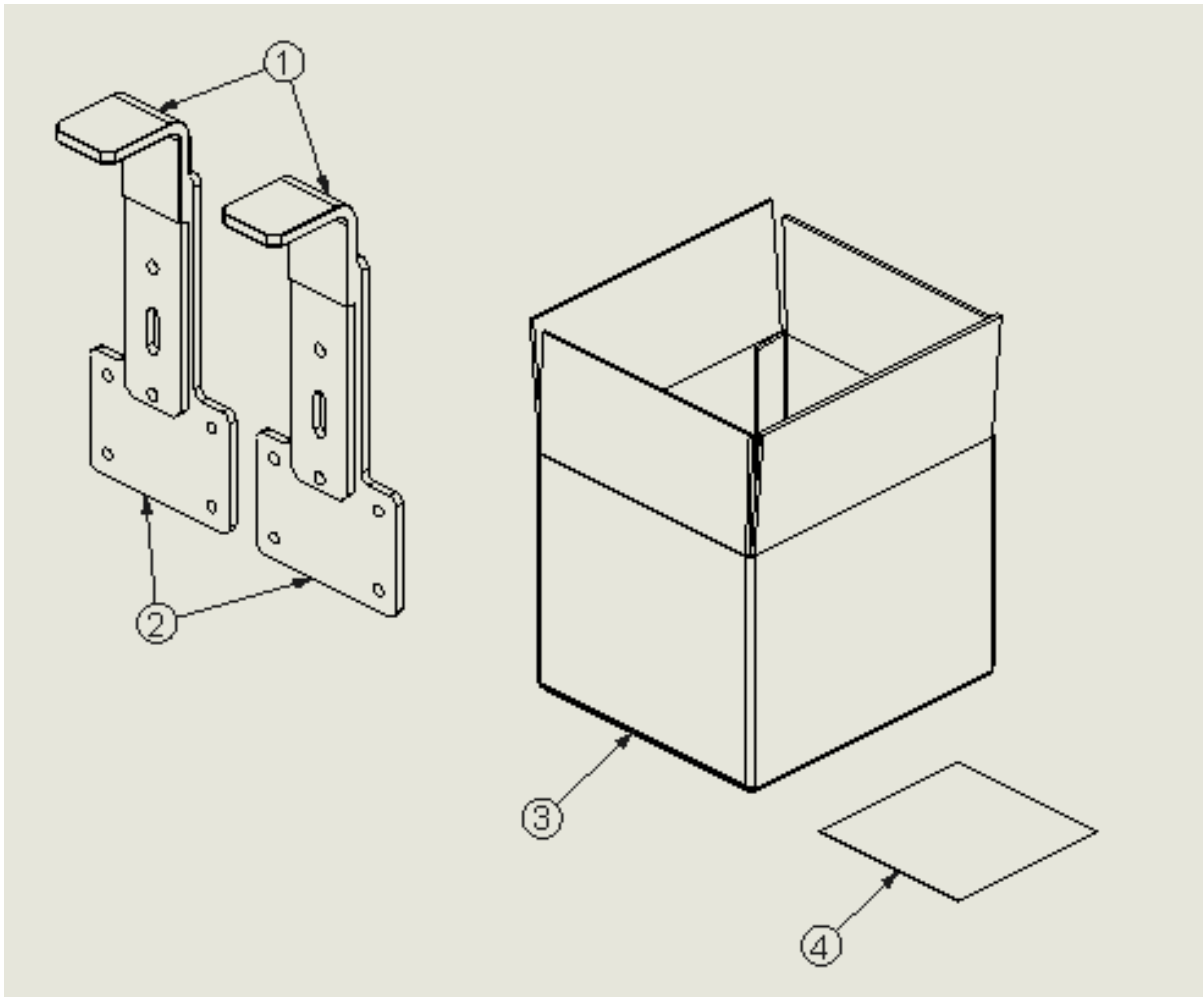


MEASURING TAPE

ADDITIONAL TOOLS MAY BE NEEDED FOR THIS INSTALLATION AND THEY WILL BE IDENTIFIED IN THE STEPS THAT FOLLOW.

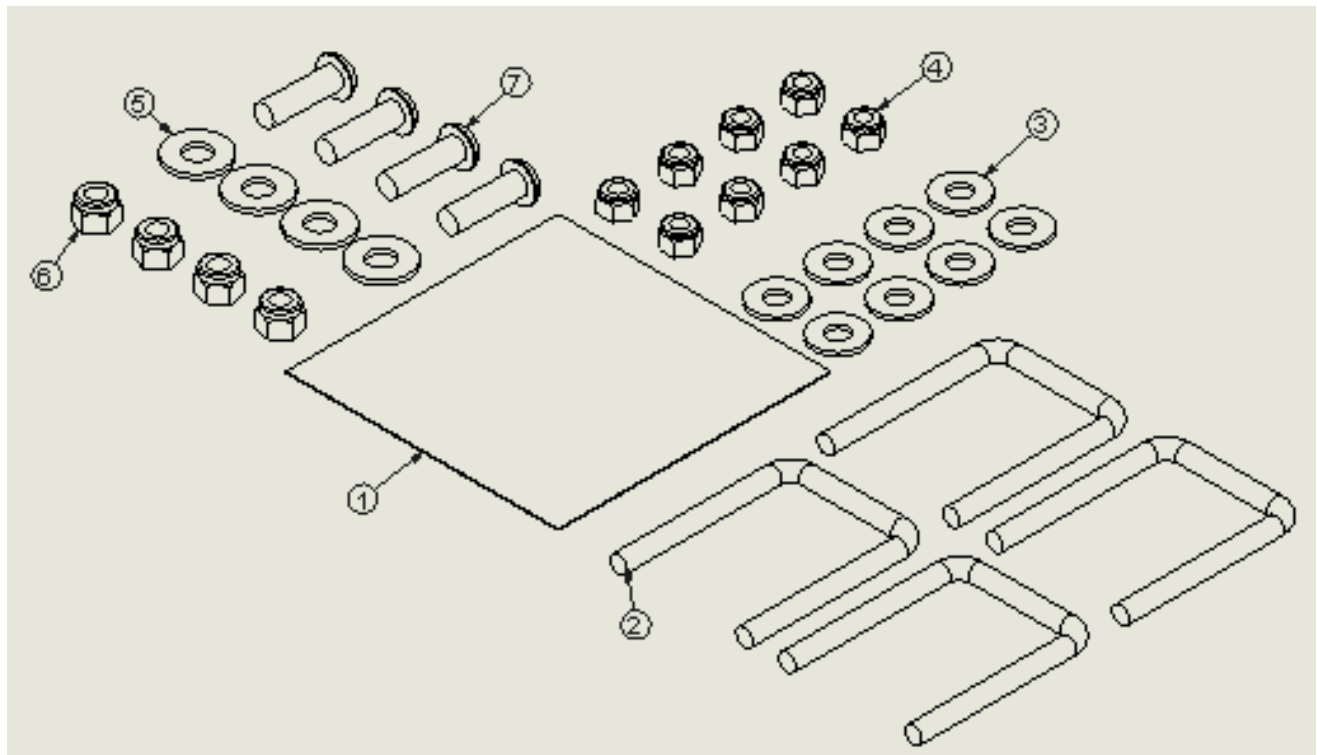
Installation and/or Assembly kit
(HDW60596)

ITEM NO.	PART NUMBER	DESCRIPTION	
1	29843-B	LADDER STOP UPRIGHT, BLACK	2
2	60597-B	STOP UPRIGHT EXT, LR	2
3	CRTAGBH	Carton, auto glass bottle holder	1
4	BAG60596	BAG FOR HDW60596	1

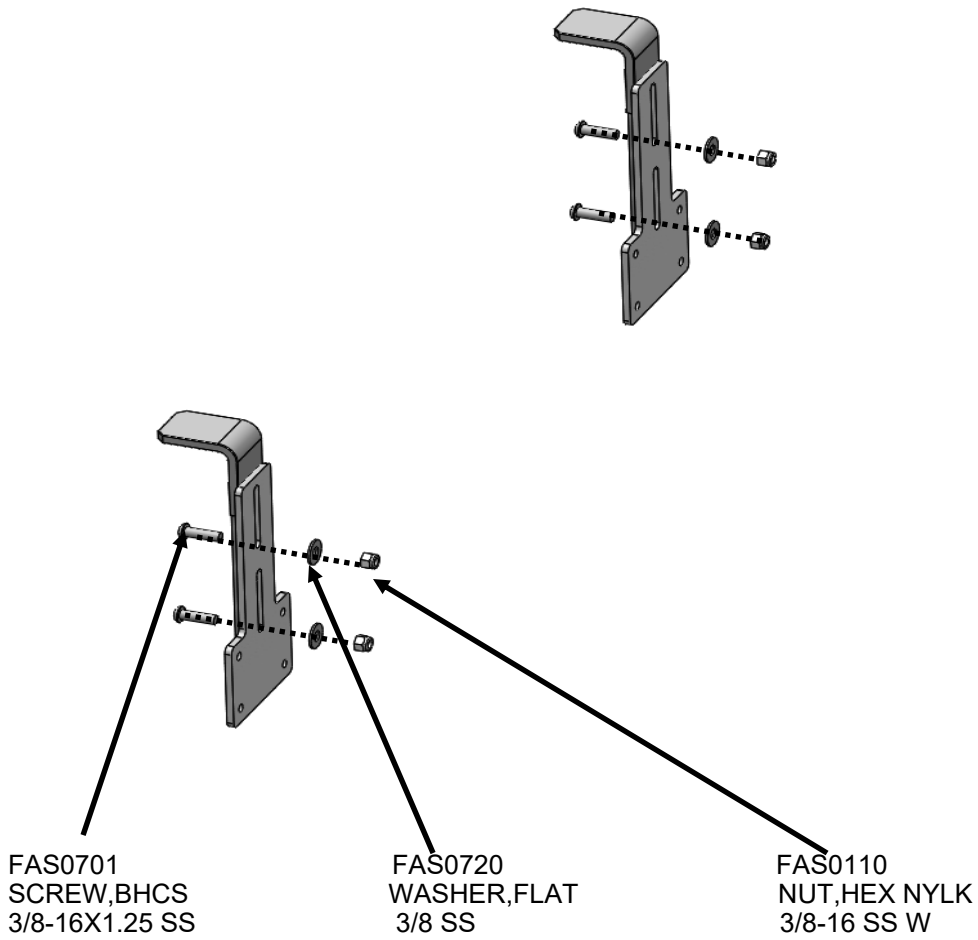


**Installation and/or Assembly Fasteners
(BAG60596)**

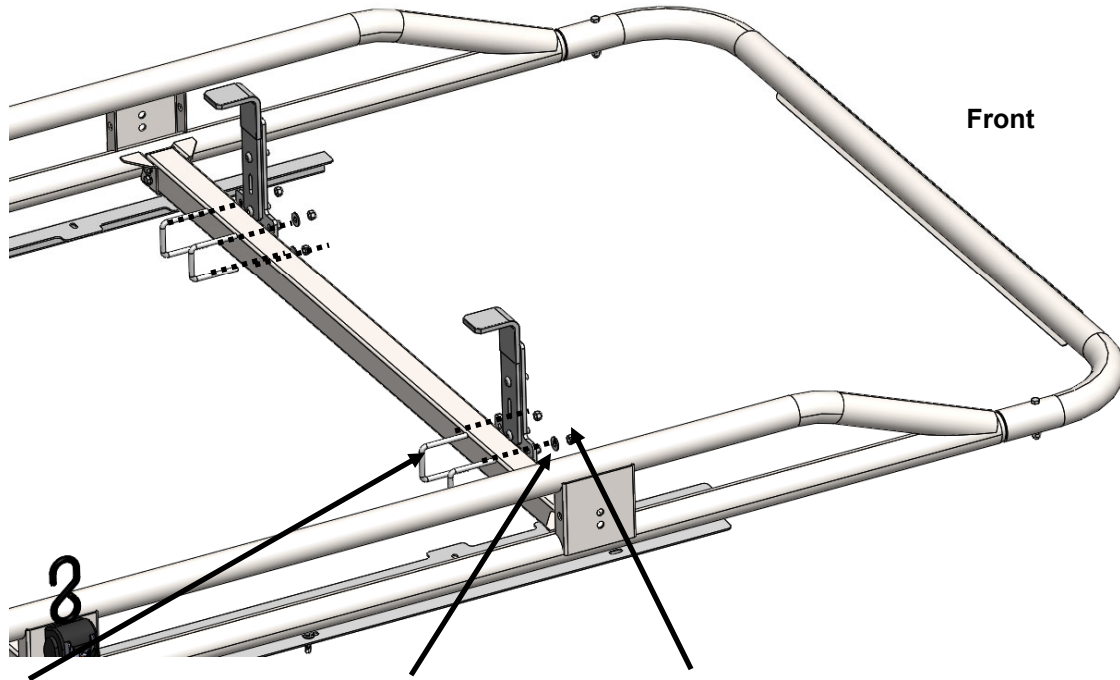
ITEM NO.	PART NUMBER	DESCRIPTION	QTY.
1	BAG0505-A	5" x 5" 3MIL AUTOBAG	1
2	FAS0590	U-Bolt, square, 5/16-18 2x3 NI-ZN	4
3	FAS0112	WASHER,FLAT USS 5/16 ZN	8
4	FAS0090	NUT,HEX NLK 5/16-18/ZP	8
5	FAS 0720	Washer, Flat 3/8 SS	4
6	FAS0110	Nut,Hex Nylk 3/8-16 SS W	4
7	FAS0701	Screw,BHCS 3/8-16x1.25 SS	4



**Step 01 Attach 29843-B to 60597 using fasteners in BAG60596,
Keep fasteners loose to allow for adjustment**



Step 02 Attach the ladder stops on the crossbow closest to the Front.

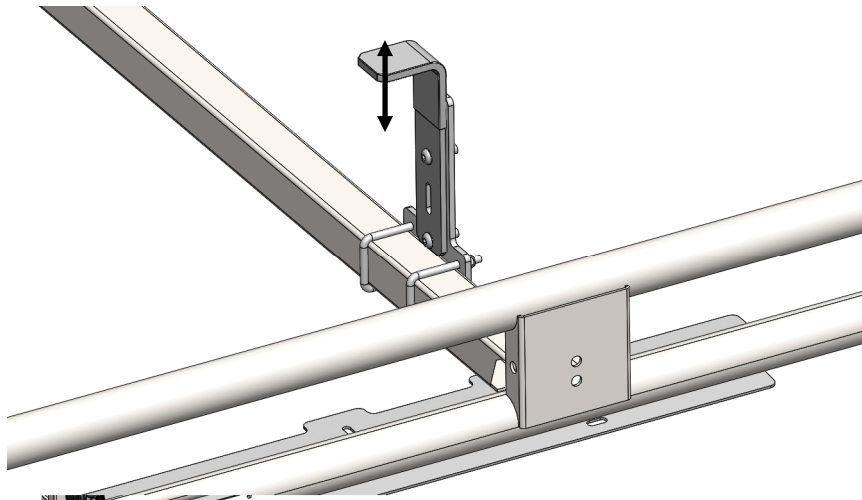


FAS0590
U-BOLT, SQUARE
5/16-18 2X3 NI-ZN

FAS0112
WASHER, FLAT
USS 5/16 ZN

FAS0090
NUT, HEX NLK
5/16-18 ZP

Step 03 Adjust Stop until in contact with ladder rung, then tighten fasteners



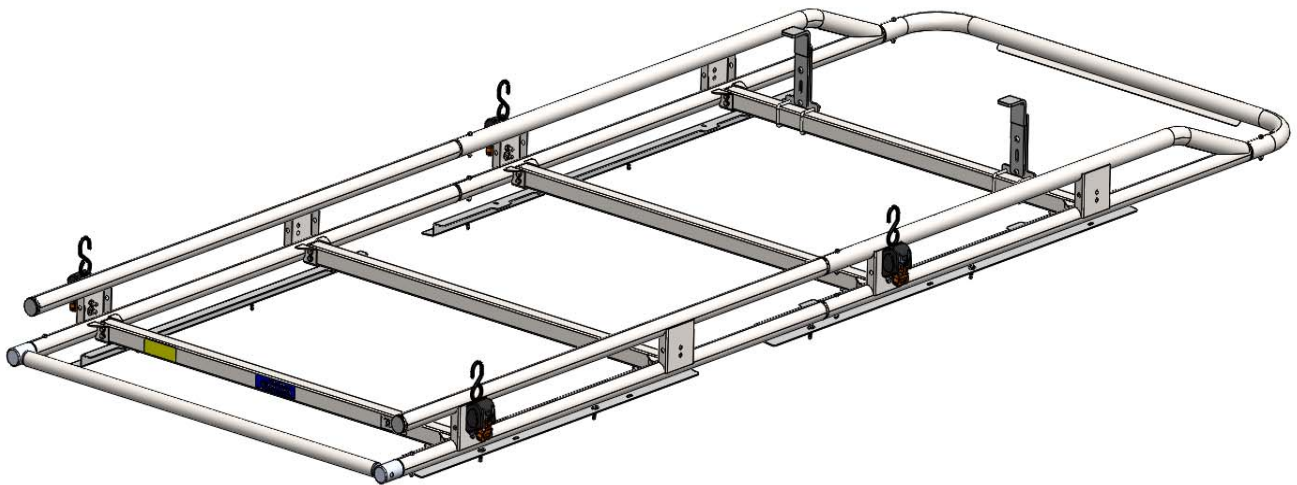
**DOUBLE CHECK ALL FASTENERS LOCATIONS TO BE SURE THAT ALL FASTENERS ARE TIGHTENED TO SPECIFICATIONS.
YOUR INSTALLATION IS NOW COMPLETE!
STOW THIS COPY IN THE VEHICLE FOR FUTURE REFERENCES!**

Introduction / Comments:

Install instructions for HDW60504 ratchet strap kit onto JCI transit Loadrunner.

Note:

It is advised that all fasteners used in this assembly and installation should be checked for tightness at the following intervals: @ 2-weeks and again @ 6-weeks of operation. This preventive maintenance step must be completed to ensure your Product gives you long service life.



**HDW60504
RATCHET STRAP KIT, 4**

- PRECAUTIONS -



CAUTION
THE USE OF AIR IMPACT TOOLS CAN
OVER-TORQUE FASTENERS AND
CAUSE FASTENER FAILURE!



CAUTION
ALL INSTALLATION HOLES SHOULD BE SEALED
WITH SILICON OR BUTYL SEALANT TO PREVENT
EXHAUST FUMES FROM ENTERING THE VEHICLE!



DANGER
INSPECT FOR FUEL TANK, FUEL LINES, BRAKE LINES, HIGH
VOLTAGE BATTERIES AND ELECTRICAL LINES PRIOR TO
DRILLING TO AVOID DAMAGING CRITICAL VEHICLE SYSTEMS
OR INJURY TO INSTALLER DURING INSTALLATION PROCESS!



CAUTION
TO AVOID DAMAGING THE VEHICLE ALWAYS USE DRILL
STOPS WHEN DRILLING ANY INSTALLATION HOLES!
ADRIAN AVAILABLE PART #'S 31119-0 (3/8" X 1/2"
DEEP), 31121-0 (1/2" x 1/2" DEEP)



- IMPORTANT WARRANTY REQUIREMENTS -

1. SUBSTITUTING ADRIAN STEEL SPECIFIED FASTENERS FOR ASSEMBLY AND/OR INSTALLATION WILL VOID YOUR PRODUCT WARRANTY.
2. ALL HOLES DRILLED INTO VEHICLE SHOULD HAVE THE RAW METAL EDGES SEALED WITH A SELF-ETCHING PRIMER TO RESIST CORROSION AND POTENTIAL FASTENER POINT FAILURE.
3. ALL FASTENERS USED IN THE INSTALLATION OF THIS PRODUCT SHOULD BE TIGHTENED TO THE TORQUE(S) SPECIFIED IN THESE INSTRUCTIONS.
4. THESE INSTRUCTIONS SHOULD BE KEPT WITH THE VEHICLE.

THE BASIC TOOLS NEEDED FOR MOST INSTALLATIONS



DRILL



DRILL BIT WITH
STOP



RATCHET, SOCKETS
AND/OR WRENCHES



SCREWDRIVERS

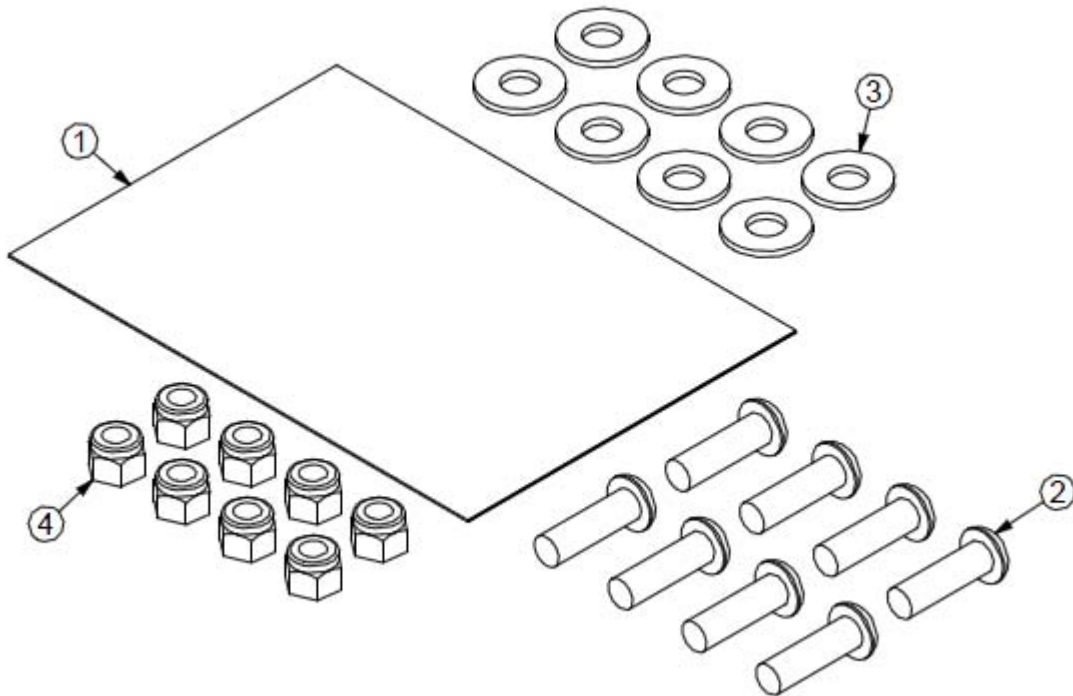


MEASURING TAPE

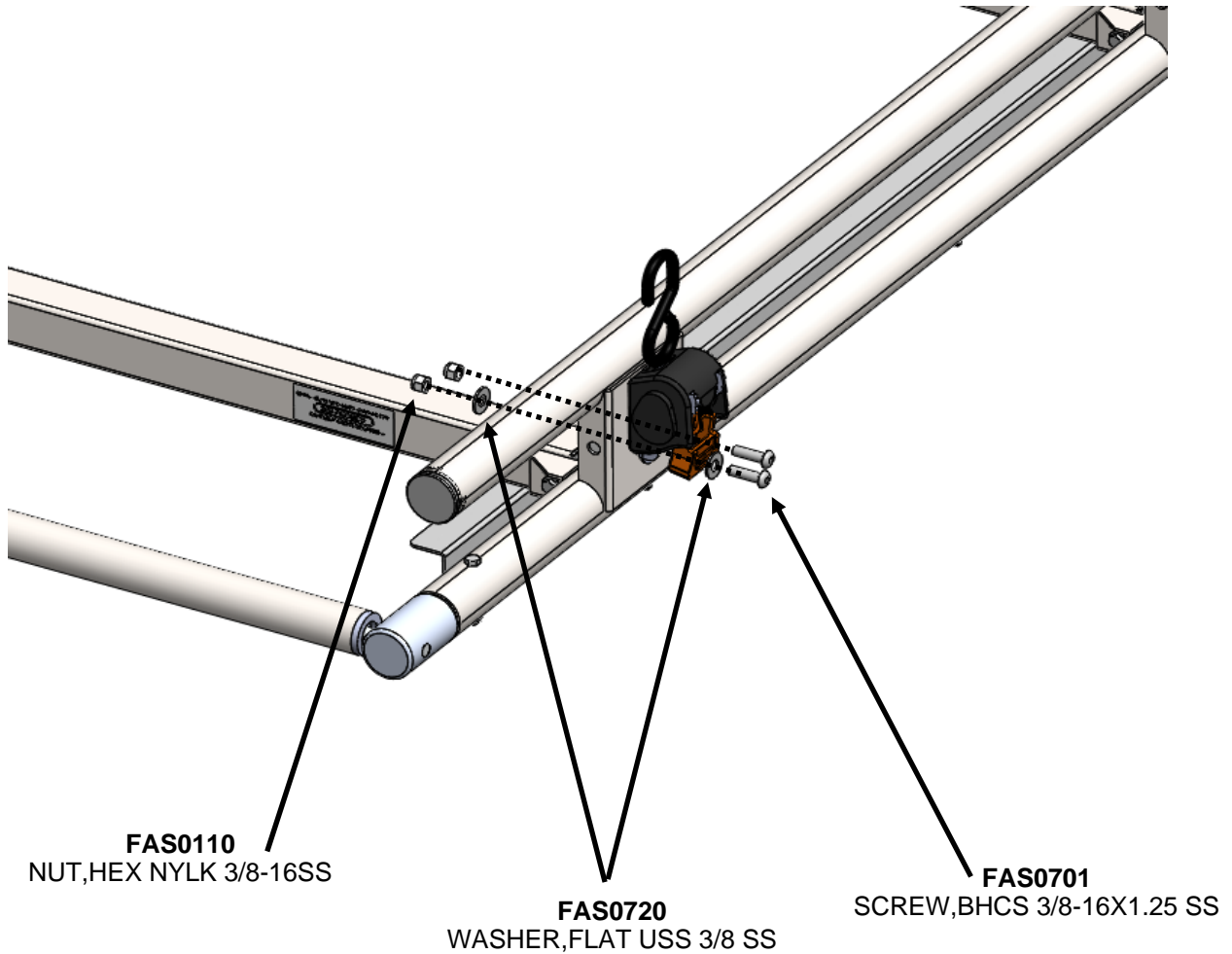
ADDITIONAL TOOLS MAY BE NEEDED FOR THIS INSTALLATION AND THEY WILL BE IDENTIFIED IN THE STEPS THAT FOLLOW.

**Installation and/or Assembly Fasteners
(BAG60504)**

ITEM NO.	PART NUMBER	DESCRIPTION	QTY.
1	BAG0507-A	5" x 7" 3MIL AUTOBAG	1
2	FAS0701	Screw,BHCS 3/8-16x1.25 SS	8
3	FAS 0720	Washer,Flat 3/8 SS	8
4	FAS0110	Nut,Hex Nylk 3/8-16 SS W	8



Step 01 Attach Ratchets to the trusses using fasteners in BAG60504. Washers are only installed on the lower bolt.



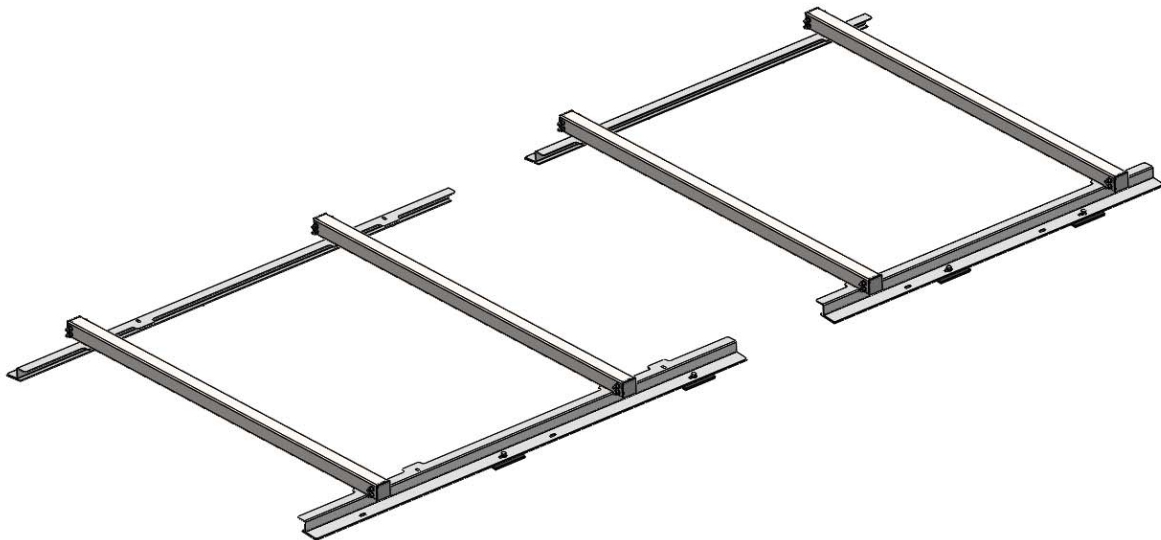
**DOUBLE CHECK ALL FASTENERS LOCATIONS TO BE SURE THAT ALL FASTENERS ARE TIGHTENED TO SPECIFICATIONS.
YOUR INSTALLATION IS NOW COMPLETE!
STOW THIS COPY IN THE VEHICLE FOR FUTURE REFERENCES!**

Introduction / Comments:

To assemble and Install 60413, JCI Load Runner Transit

Note:

It is advised that all fasteners used in this assembly and installation should be checked for tightness at the following intervals: @ 2-weeks and again @ 6-weeks of operation. This preventive maintenance step must be completed to ensure your Product gives you long service life.



**60502
CROSS MEMBER ASM, TRANSIT**

- PRECAUTIONS -



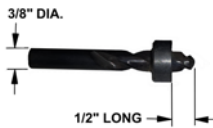
CAUTION
THE USE OF AIR IMPACT TOOLS CAN
OVER-TORQUE FASTENERS AND
CAUSE FASTENER FAILURE!



CAUTION
ALL INSTALLATION HOLES SHOULD BE SEALED
WITH SILICON OR BUTYL SEALANT TO PREVENT
EXHAUST FUMES FROM ENTERING THE VEHICLE!



DANGER
INSPECT FOR FUEL TANK, FUEL LINES, BRAKE LINES, HIGH
VOLTAGE BATTERIES AND ELECTRICAL LINES PRIOR TO
DRILLING TO AVOID DAMAGING CRITICAL VEHICLE SYSTEMS
OR INJURY TO INSTALLER DURING INSTALLATION PROCESS!



CAUTION
TO AVOID DAMAGING THE VEHICLE ALWAYS USE DRILL
STOPS WHEN DRILLING ANY INSTALLATION HOLES!
ADRIAN AVAILABLE PART #'S 31119-0 (3/8" X 1/2"
DEEP), 31121-0 (1/2" x 1/2" DEEP)



- IMPORTANT WARRANTY REQUIREMENTS -

1. SUBSTITUTING ADRIAN STEEL SPECIFIED FASTENERS FOR ASSEMBLY AND/OR INSTALLATION WILL VOID YOUR PRODUCT WARRANTY.
2. ALL HOLES DRILLED INTO VEHICLE SHOULD HAVE THE RAW METAL EDGES SEALED WITH A SELF-ETCHING PRIMER TO RESIST CORROSION AND POTENTIAL FASTENER POINT FAILURE.
3. ALL FASTENERS USED IN THE INSTALLATION OF THIS PRODUCT SHOULD BE TIGHTENED TO THE TORQUE(S) SPECIFIED IN THESE INSTRUCTIONS.
4. THESE INSTRUCTIONS SHOULD BE KEPT WITH THE VEHICLE.

THE BASIC TOOLS NEEDED FOR MOST INSTALLATIONS



DRILL



DRILL BIT WITH
STOP



RATCHET, SOCKETS
AND/OR WRENCHES



SCREWDRIVERS

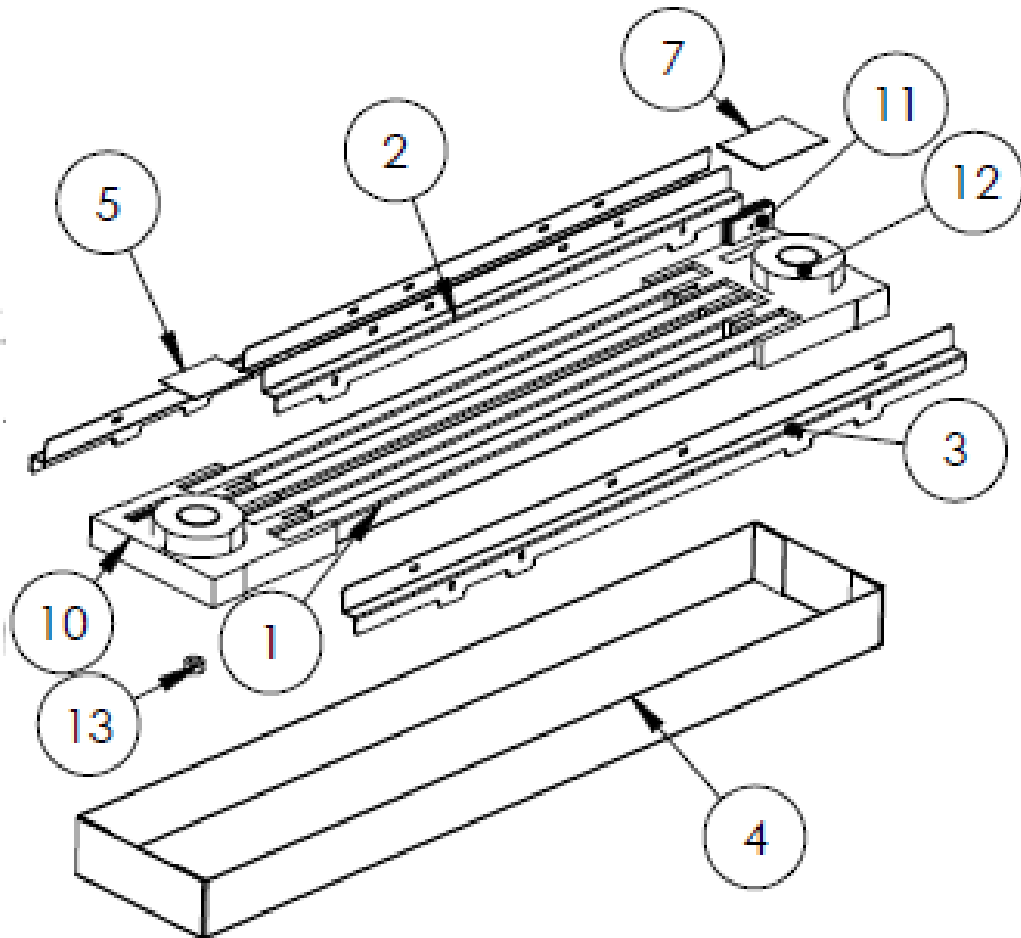


MEASURING TAPE

ADDITIONAL TOOLS MAY BE NEEDED FOR THIS INSTALLATION AND THEY WILL BE IDENTIFIED IN THE STEPS THAT FOLLOW.

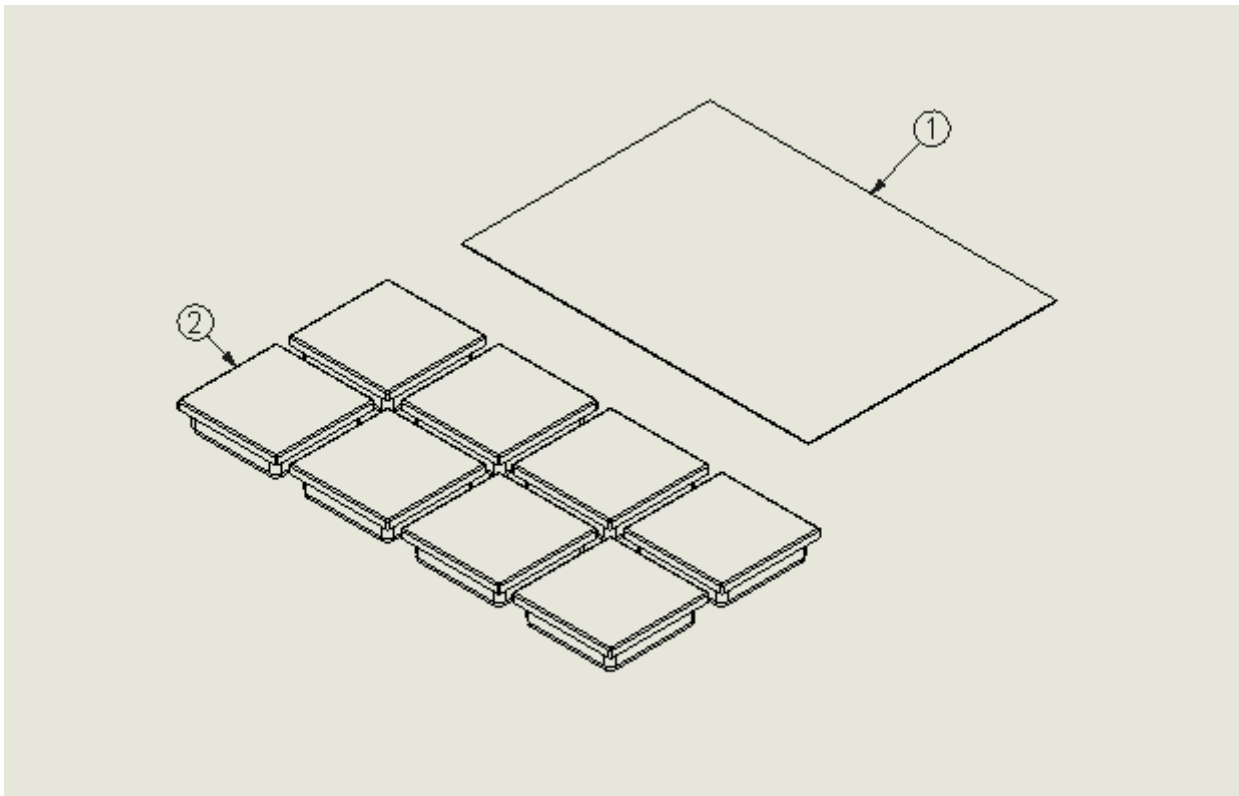
**Installation and/or Assembly
(60502)**

ITEM NO.	PART NUMBER	DESCRIPTION	
1	60488-B	CROSSBAR, TRANSIT LR, BLACK	4
2	60496-B	ROOF RAIL, TRANSIT 148 REAR	2
3	60495-B	ROOF RAIL, TRANSIT 148 FRONT	2
4	CRT26560-1	FTD 05.93X12.50X58.31	2
5	BAG60502	Fas Bag, Transit Roof Rail Kit	1
6	25637-0	DCL, KDLR, Warning Statement	1
7	BAG60564	BAG FOR PLASTIC PLUGS, TRANSIT LR	1
8	43420	LABEL, MAX CAPACITY, SLDFDESC13	1
9	25689-0	DCL "LOAD RUNNER" PUR	1
10	FMB60502	FMBLK FOR 60502	2
11	52709	SPACER-PAD .25 TRANSIT LR LDRK	8
12	47117	FOAM STRIP 1/4X2.0X120	2
13	60941	TAPE, UHMW, 4 FT	1



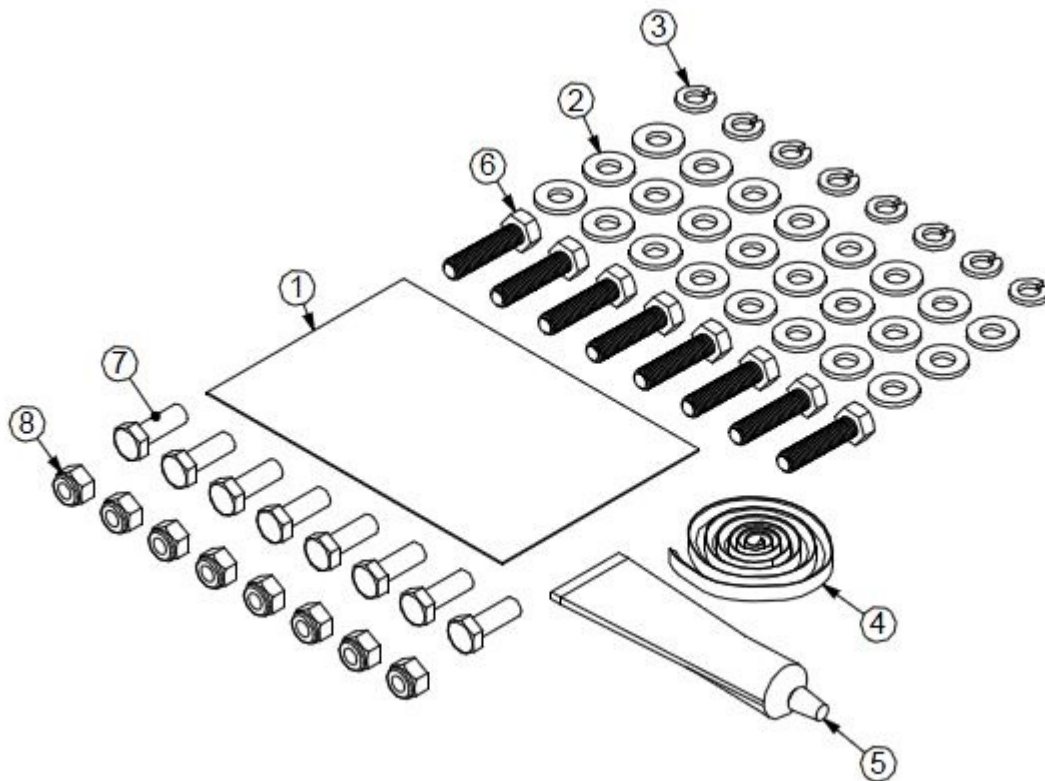
Installation and/or Assembly Fasteners
(BAG60564)

ITEM NO.	PART NUMBER	DESCRIPTION	QTY
1	BAG0507-A	5" x 7" 3MIL AUTOBAG	1
2	26610-0	Plug Square 2"	8

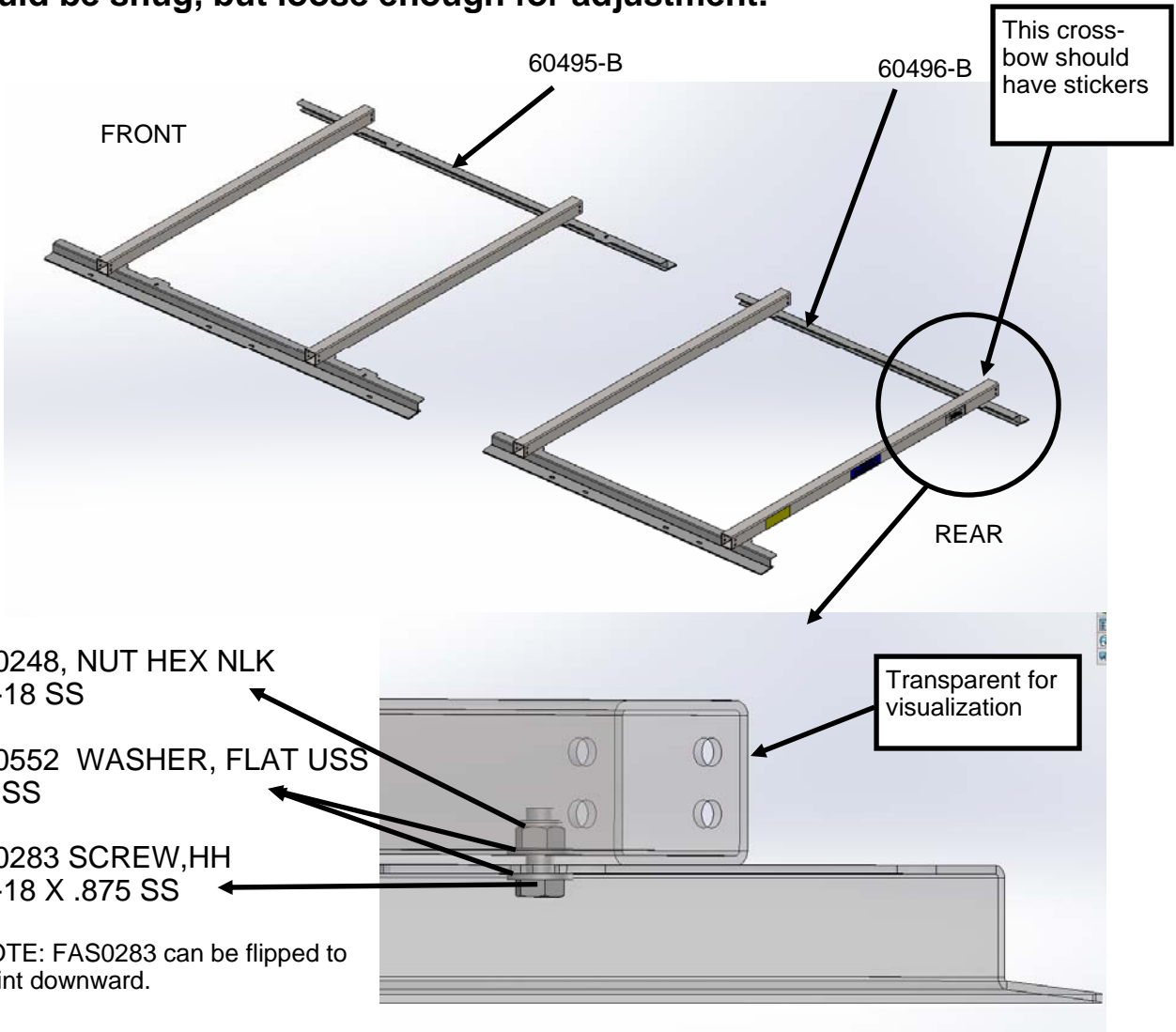


**Installation and/or Assembly Fasteners
(BAG60502)**

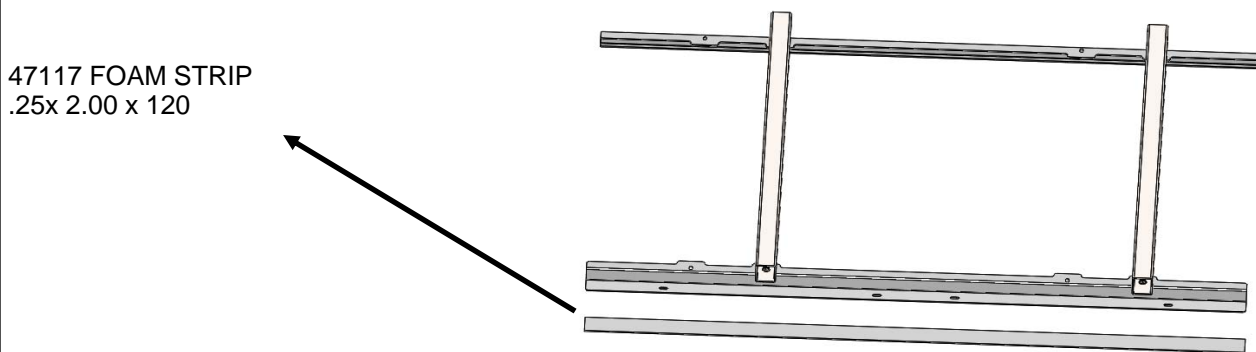
ITEM NO.	PART NUMBER	DESCRIPTION	QTY
1	BAG0406-A	4" x 6" 3MIL AUTOBAG	1
2	FAS0552	Washer, Flat, 5/16, SST	24
3	FAS0588	Washer, Lock, Split, 5/16, SS	8
4	05586-0	Butyl Tape, T224 -1/2"X 1' Roll	1
5	26618-0	Silicone Sealant	1
6	FAS0173	SCREW, HH, M8-1.25X35 SS	8
7	FAS0283	Screw, Hex Hd, 5/16-18 x.875 SST	8
8	FAS0248	Nut, Nylon Insert Lock, 5/16-18 SST	8



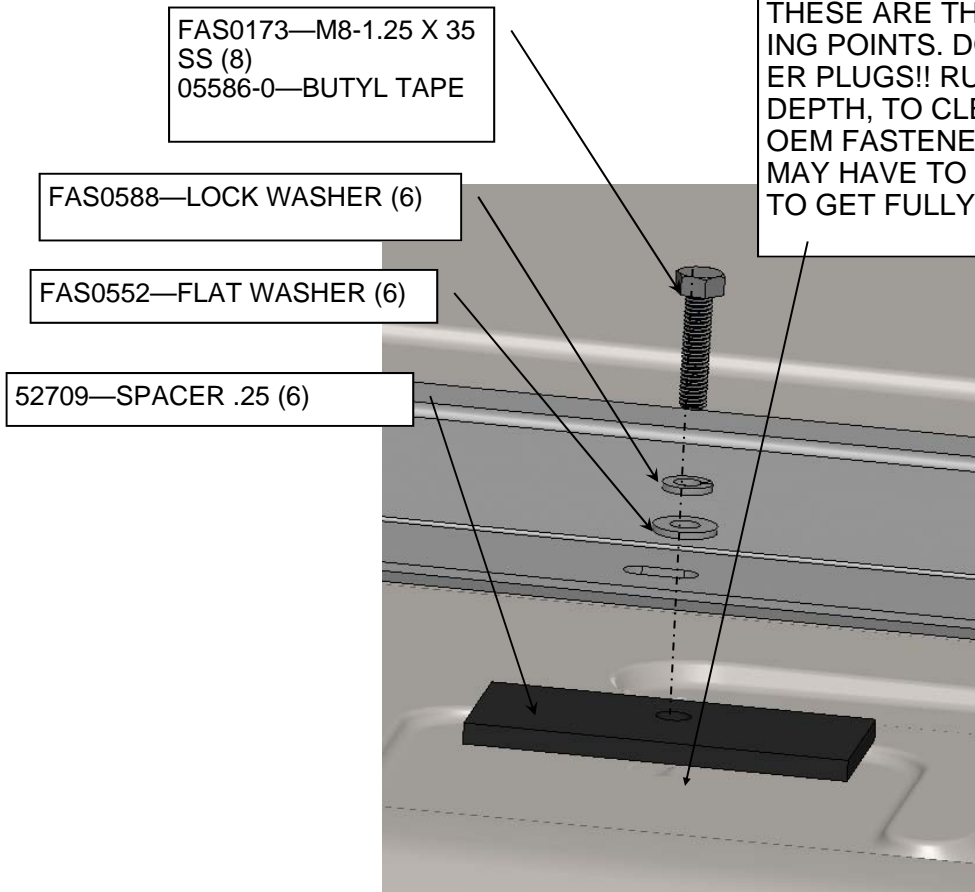
Step 01 Assemble the Crossbows and rails as shown below, Fasteners should be snug, but loose enough for adjustment.



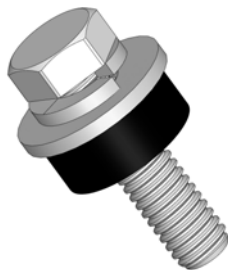
Step 02 Cut Foam tape to size and place on the bottom of all rails



Step 03 INSTALL RAILS ON VEHICLE, SEE NEXT PAGE FOR LOCATIONS



CAREFULLY REMOVE PLASTIC PLUGS FROM FACTORY ATTACHMENT POINTS. NOTE, THEY ARE INSTALLED PRIOR TO VEHICAL BEING PAINTED. IF ROOF CLEARANCE HOLES AND OEM FASTENER ARE MISALIGNED TOO FAR, HOLE IN ROOF SKIN MAY NEED TO BE ENLARGED (AND PRIMERED), AS WELL AS CORRESPONDING HOLE IN ROOF RAIL OF RACK. WRAP SCREWS WITH BUTYL TAPE BENEATH WASHERS, ENOUGH TO FILL HOLE IN RAIL. PUSH SREWS THRU FOAM, AND RUBBER PAD, ADD ENOUGH SILICONE TO FILL EACH CAVITY. INSTALL SCREWS AND WASHERS AS SHOWN. TORQUE TO 10 TO 12 FT LBS. TORQUE ALL FASTENERS ON RACK ITSELF TO 10-12 FT LBS. DO NOT OVER-TORQUE AS THESE ARE STAINLESS STEEL FASTENERS!



GENERIC PICTURE—MAY NOT LOOK LIKE YOUR FASTENER. MOUNTING SCREW WITH WASHERS AND BUTYL TAPE BEFORE INSTALLATION (LEFT) AND WHAT IT SHOULD LOOK LIKE AFTER INSTALLATION (RIGHT).



Step 04 Adjust square tube to distances below & tighten fasteners to 10 to 12 ft. lbs.

FRONT OF VAN

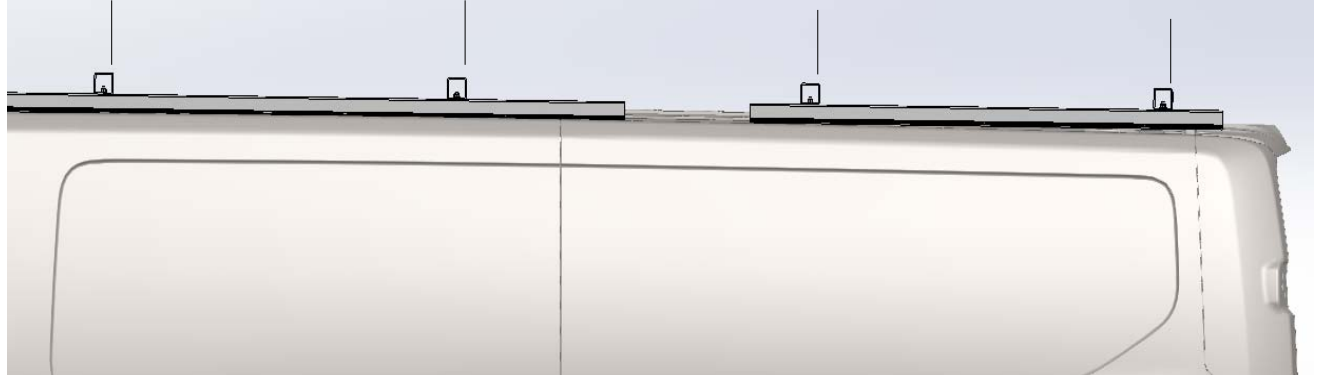
REAR OF VAN

112.5

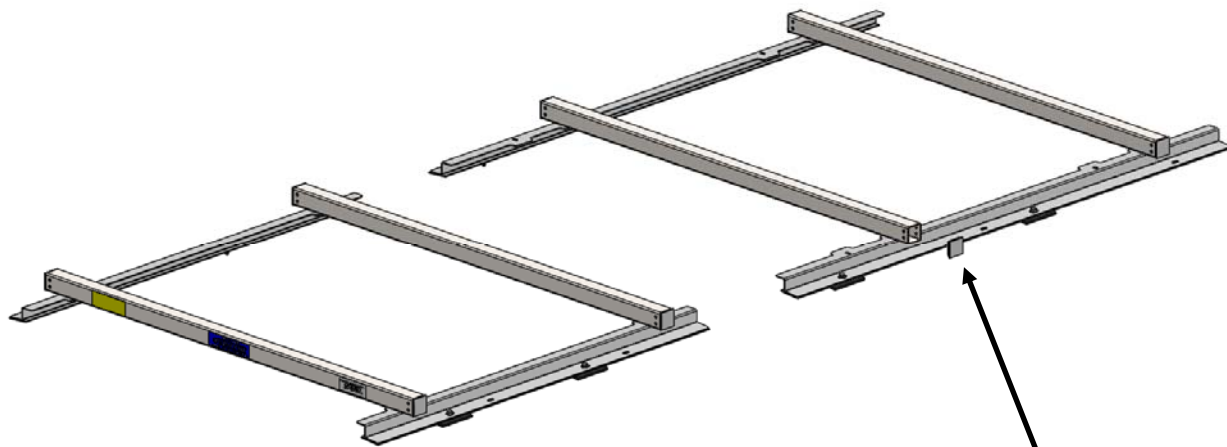
75

37.5

0



Step 05 Place end caps into crossbows



26610-0 (8)
Plug square 2"

Step 06 Cut tape 60941 into 16 pcs, 1.75" in long. Then place the tape over holes in cross members.

