

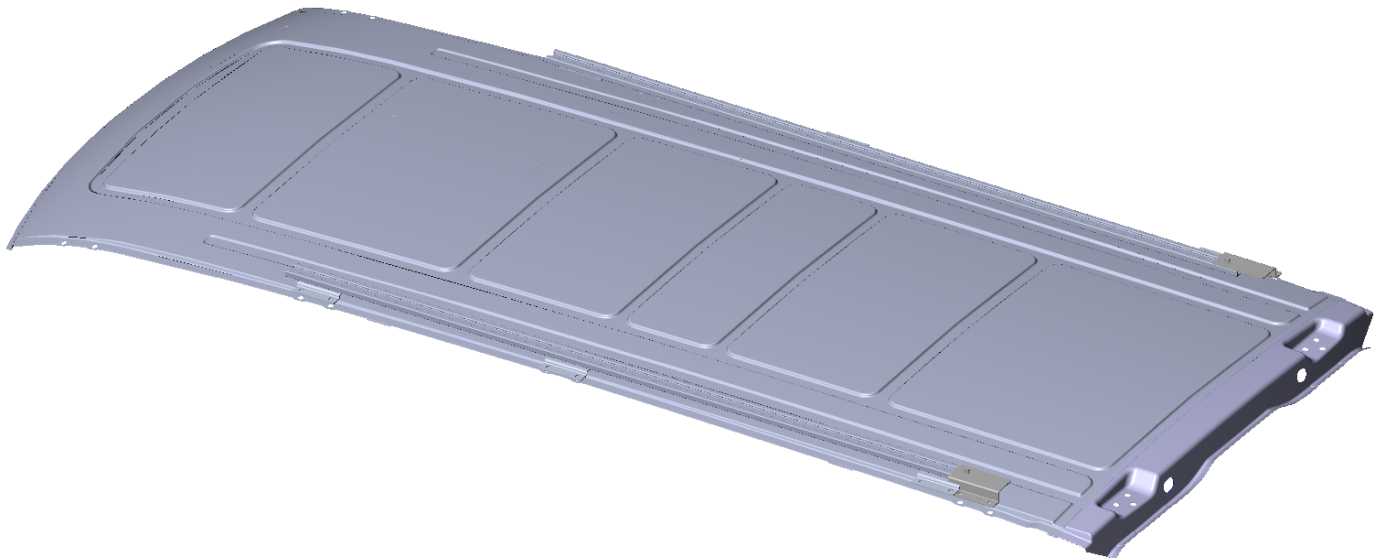


Introduction / Comments:

This instruction outlines assembly and installation of the 59038 Metris 135" wheelbase roof rail adaptor. The adaptor kit allows 2BMM, 61-MM, and 63-MM to be used on the 135" wheelbase Metris.

Note:

It is advised that all fasteners used in this assembly and installation should be checked for tightness at the following intervals: @ 2-weeks and again @ 6-weeks of operation. This preventive maintenance step must be completed to ensure your Product gives you long service life.



59038
Roof rail adaptor kit

Mercedes Metris 135" wheelbase
Installation / Assembly

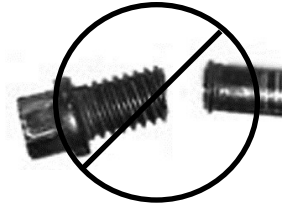
- PRECAUTIONS -



CAUTION



THE USE OF AIR IMPACT TOOLS CAN OVER-TORQUE FASTENERS AND CAUSE FASTENER FAILURE!



CAUTION



ALL INSTALLATION HOLES SHOULD BE SEALED WITH SILICONE OR BUTYL SEALANT TO PREVENT EXHAUST FUMES FROM ENTERING THE VEHICLE!



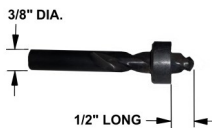
DANGER



INSPECT FOR FUEL TANK, FUEL LINES, BRAKE LINES, HIGH VOLTAGE BATTERIES AND ELECTRICAL LINES PRIOR TO DRILLING TO AVOID DAMAGING CRITICAL VEHICLE SYSTEMS OR INJURY TO INSTALLER DURING INSTALLATION PROCESS!



CAUTION



TO AVOID DAMAGING THE VEHICLE ALWAYS USE DRILL STOPS WHEN DRILLING ANY INSTALLATION HOLES!
ADRIAN AVAILABLE PART #S 31121-0 (3/8" X 1/2" DEEP), 31121-1 (1/2" X 1/2" DEEP)



- IMPORTANT WARRANTY REQUIREMENTS -

1. SUBSTITUTING ADRIAN STEEL SPECIFIED FASTENERS FOR ASSEMBLY AND/OR INSTALLATION WILL VOID YOUR PRODUCT WARRANTY.
2. ALL HOLES DRILLED INTO VEHICLE SHOULD HAVE THE RAW METAL EDGES SEALED WITH A SELF-ETCHING PRIMER TO RESIST CORROSION AND POTENTIAL FASTENER POINT FAILURE.
3. ALL FASTENERS USED IN THE INSTALLATION OF THIS PRODUCT SHOULD BE TIGHTENED TO THE TORQUE(S) SPECIFIED IN THESE INSTRUCTIONS.
4. THESE INSTRUCTIONS SHOULD BE KEPT WITH THE VEHICLE.

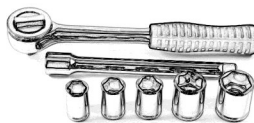
THE BASIC TOOLS NEEDED FOR MOST INSTALLATIONS



DRILL



DRILL BIT WITH STOP



RATCHET, SOCKETS AND/OR WRENCHES



SCREWDRIVERS



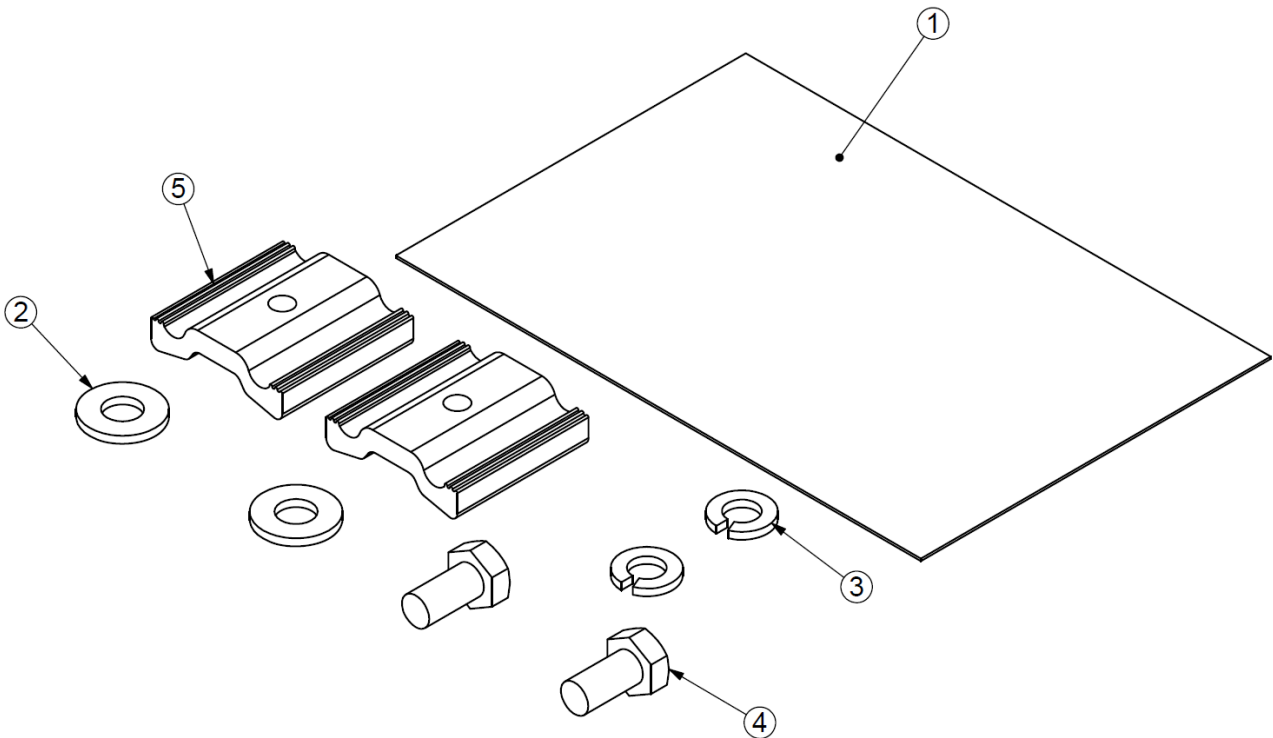
MEASURING TAPE

ADDITIONAL TOOLS MAY BE NEEDED FOR THIS INSTALLATION AND THEY WILL BE IDENTIFIED IN THE STEPS THAT FOLLOW.



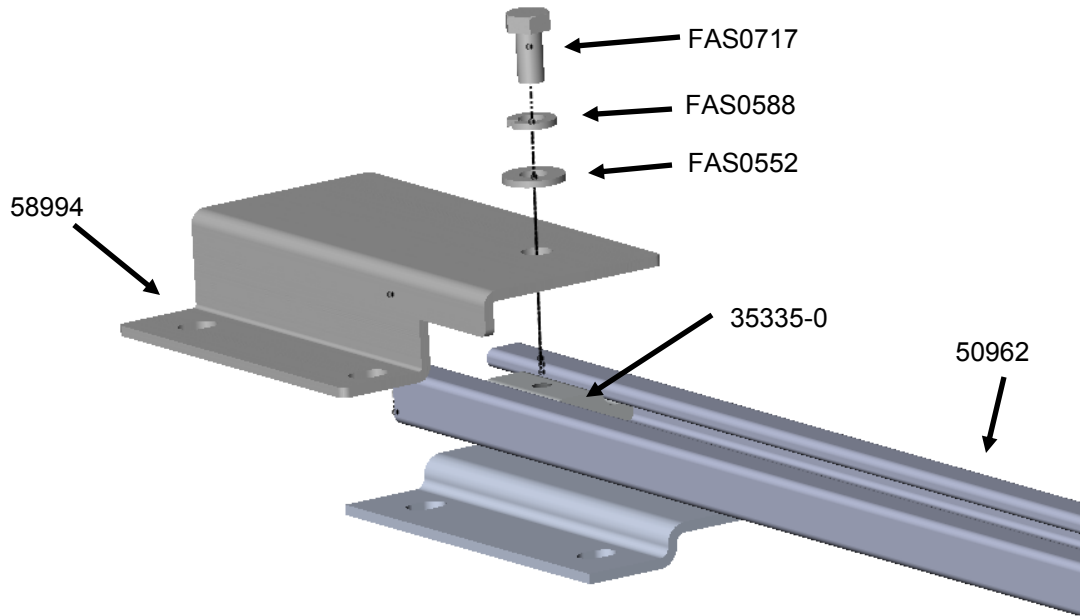
Installation and/or Assembly Fasteners
BAG59038

ITEM NO.	PART NUMBER	DESCRIPTION	QTY.
1	BAG0406-A	4" x 6" 3MIL AUTOBAG	1
2	FAS0552	Washer, Flat, 5/16, SST	2
3	FAS0588	Washer, Lock, Split, 5/16, SS	2
4	FAS0717	Screw, Hex Hd, 5/16-18x.625 SST	2
5	35335-0	SLIDE, 1.5" / AD RAIL	2

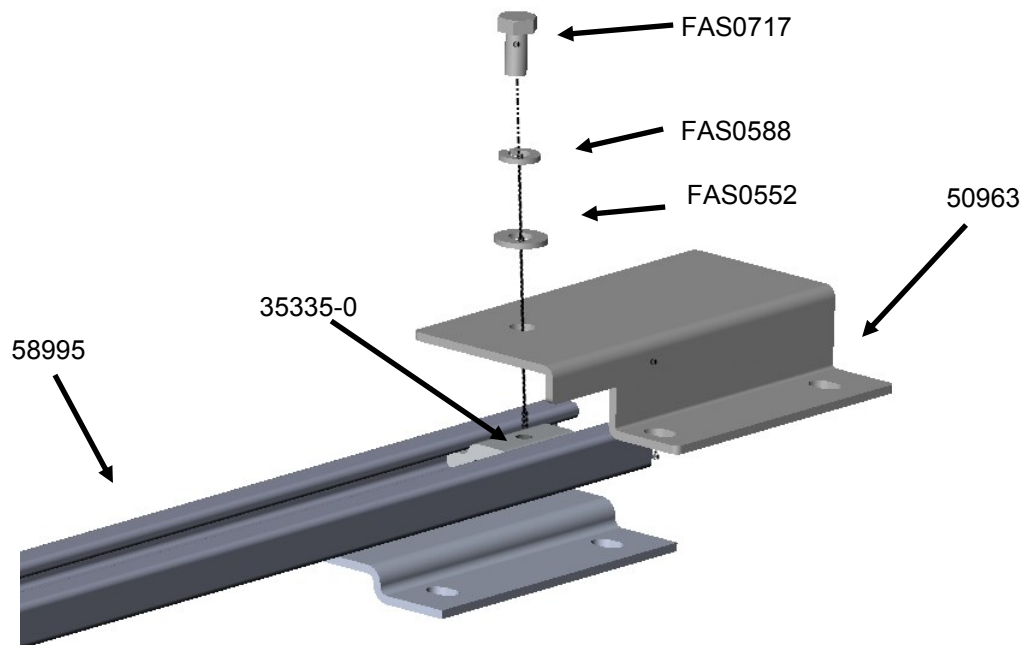




Step 01 Attach the curb side adaptor bracket (50962) to the curb side rail (58994, not included in adaptor kit) using 35335-0, FAS0552, FAS0588, and FAS0717. Do not fully tighten to allow for adjustments when mounting to the vehicle.

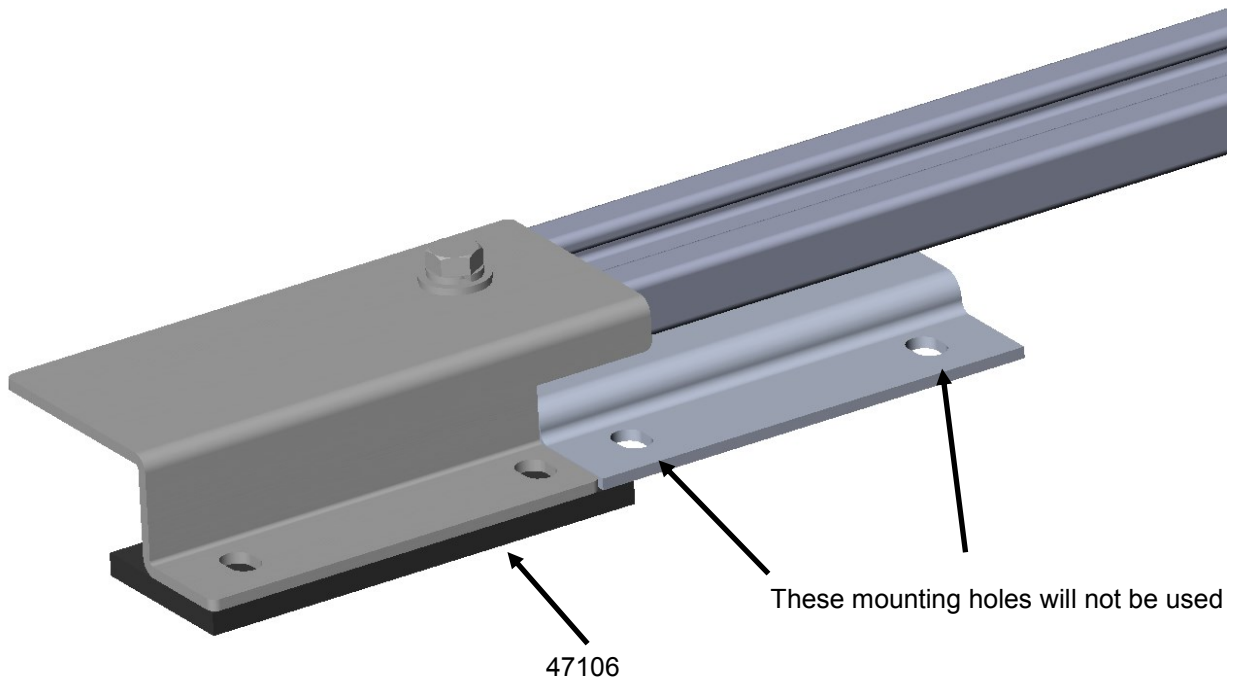
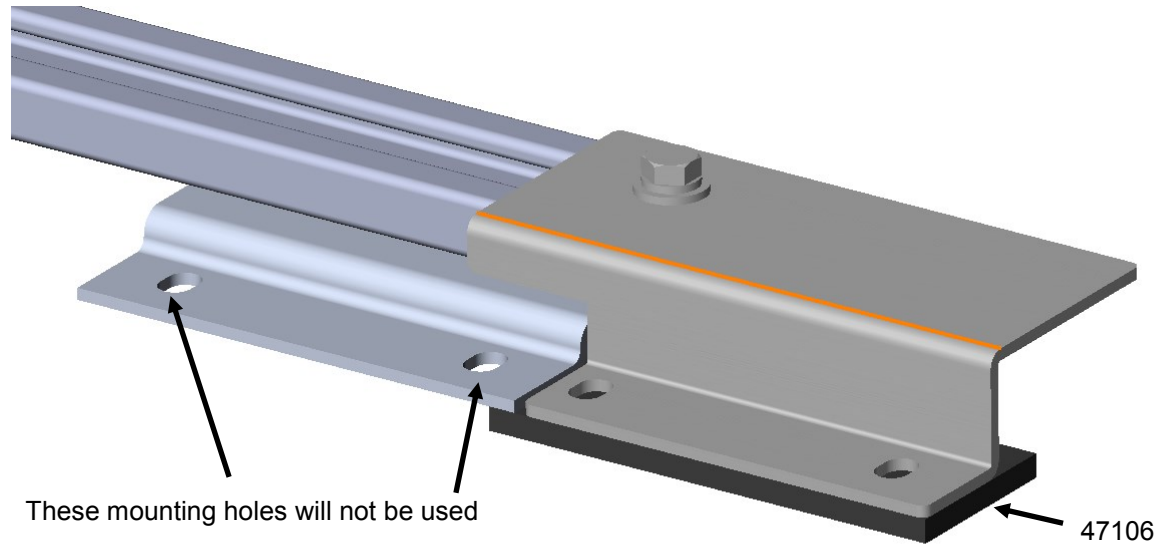


Step 02 Attach the street side adaptor bracket (50963) to the curb side rail (58995, not included in adaptor kit) using 35335-0, FAS0552, FAS 0588, and FAS0717. Do not fully tighten to allow for adjustments when mounting to the vehicle.





Step 03 Apply foam tape (47106) to the bottom of the adaptor feet. Foam for the rail feet is included in the ladder rack kit.



Installation of adaptors is complete. Continue with roof rail installation using the instructions provided with the ladder rack or utility rack. Fasteners to attach the rails to the roof are included in the ladder rack or utility rack kit.

**DOUBLE CHECK ALL FASTENERS LOCATIONS TO BE SURE THAT ALL
FASTENERS ARE TIGHTENED TO SPECIFICATIONS.
YOUR INSTALLATION IS NOW COMPLETE!
STOW THIS COPY IN THE VEHICLE FOR FUTURE REFERENCES!**