

Introduction / Comments:

THIS ROOF RAIL AND CROSS BOW KIT IS DESIGNED FOR THE FORD TRANSIT LOW ROOF VANS, BOTH 130" AND 148" WHEEL BASE. IT IS THE BASE UNIT FOR ALL OF THE LADDER RACK COMBINATIONS FOR THIS VEHICLE. INCLUDING THE SINGLE AND DOUBLE DROP DOWN LADDER RACK, THE SINGLE AND DOUBLE GRIP LOCK, AND THE COMBO GRIP LOCK DROP DOWN LADDER RACK.

Note:

It is advised that all fasteners used in this assembly and installation of this Rack should be checked for tightness at the following intervals: @ 2-weeks and again @ 6-weeks of operation. This preventive maintenance step must be completed to ensure your package gives you long service life.



TO VIEW INSTALL VIDEO



**RRKFT130
ROOF RAIL AND CROSS BOW KIT
FORD TRANSIT LOW ROOF VANS**

- PRECAUTIONS -





 **CAUTION** 
**THE USE OF AIR IMPACT TOOLS CAN
OVER-TORQUE FASTENERS AND
CAUSE FASTENER FAILURE!**



 **CAUTION** 
**ALL INSTALLATION HOLES SHOULD BE SEALED
WITH SILICON OR BUTYL SEALANT TO PREVENT
EXHAUST FUMES FROM ENTERING THE VEHICLE!**



 **DANGER** 
**INSPECT FOR FUEL TANK, FUEL LINES, BRAKE LINES, HIGH
VOLTAGE BATTERIES AND ELECTRICAL LINES PRIOR TO
DRILLING TO AVOID DAMAGING CRITICAL VEHICLE SYSTEMS
OR INJURY TO INSTALLER DURING INSTALLATION PROCESS!**



 **CAUTION** 
**TO AVOID DAMAGING THE VEHICLE ALWAYS
USE DRILL STOPS WHEN DRILLING ANY IN-
STALLATION HOLES!**



- IMPORTANT WARRANTY REQUIREMENTS -

1. SUBSTITUTING ADRIAN STEEL SPECIFIED FASTENERS FOR ASSEMBLY AND/OR INSTALLATION WILL VOID YOUR PRODUCT WARRANTY.
2. ALL HOLES DRILLED INTO VEHICLE SHOULD HAVE THE RAW METAL EDGES SEALED WITH A SELF-ETCHING PRIMER TO RESIST CORROSION AND POTENTIAL FASTENER POINT FAILURE.
3. ALL FASTENERS USED IN THE INSTALLATION OF THIS PRODUCT SHOULD BE TIGHTENED TO THE TORQUE(S) SPECIFIED IN THESE INSTRUCTIONS.
4. THESE INSTRUCTIONS SHOULD BE KEPT WITH THE VEHICLE.

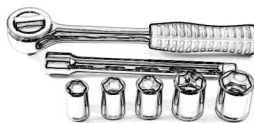
THE BASIC TOOLS NEEDED FOR MOST INSTALLATIONS



DRILL



DRILL BIT WITH
STOP



RATCHET, SOCKETS
AND/OR WRENCHES



SCREWDRIVERS

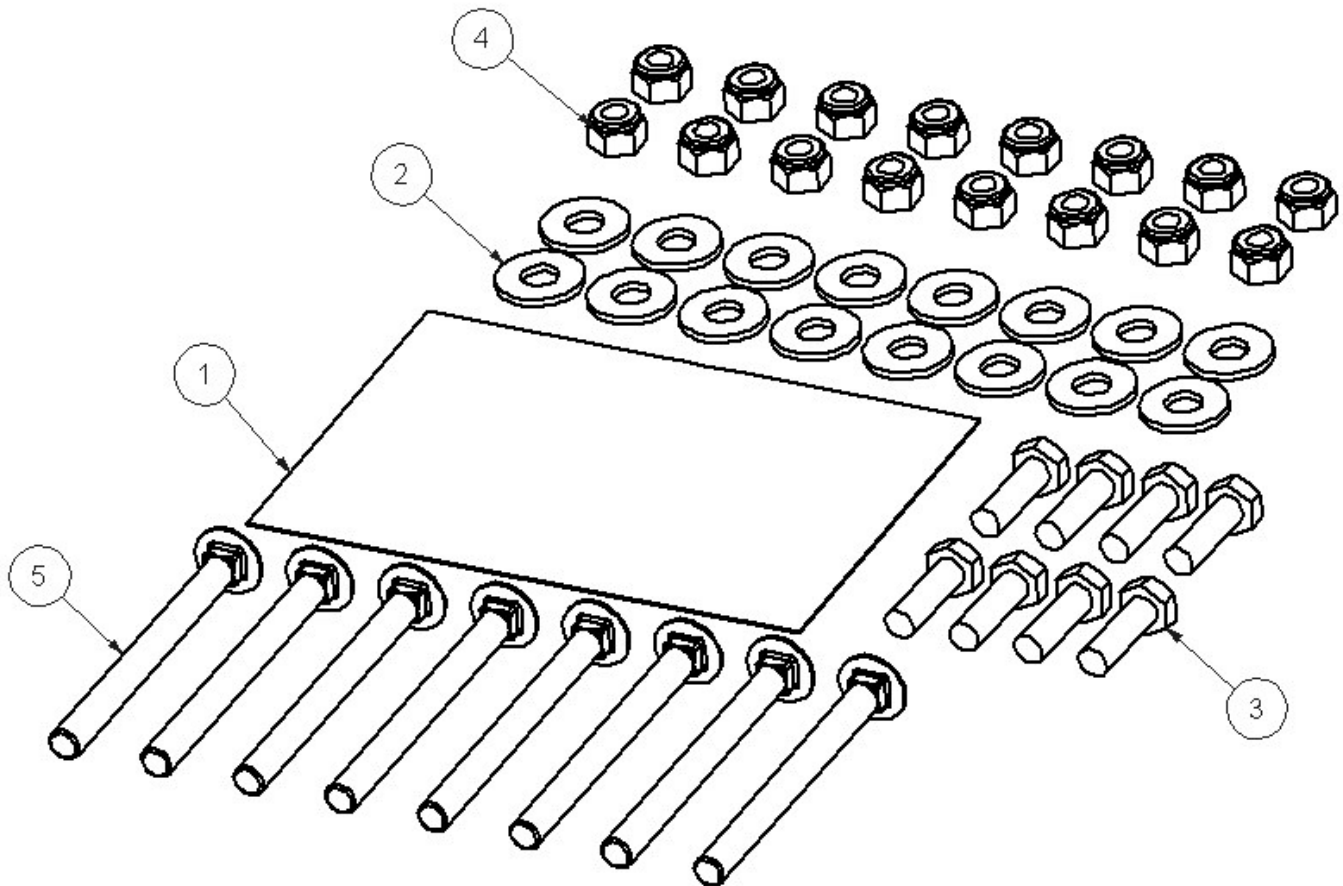


MEASURING TAPE

ADDITIONAL TOOLS MAY BE NEEDED FOR THIS INSTALLATION AND THEY WILL BE IDENTIFIED IN THE STEPS THAT FOLLOW.

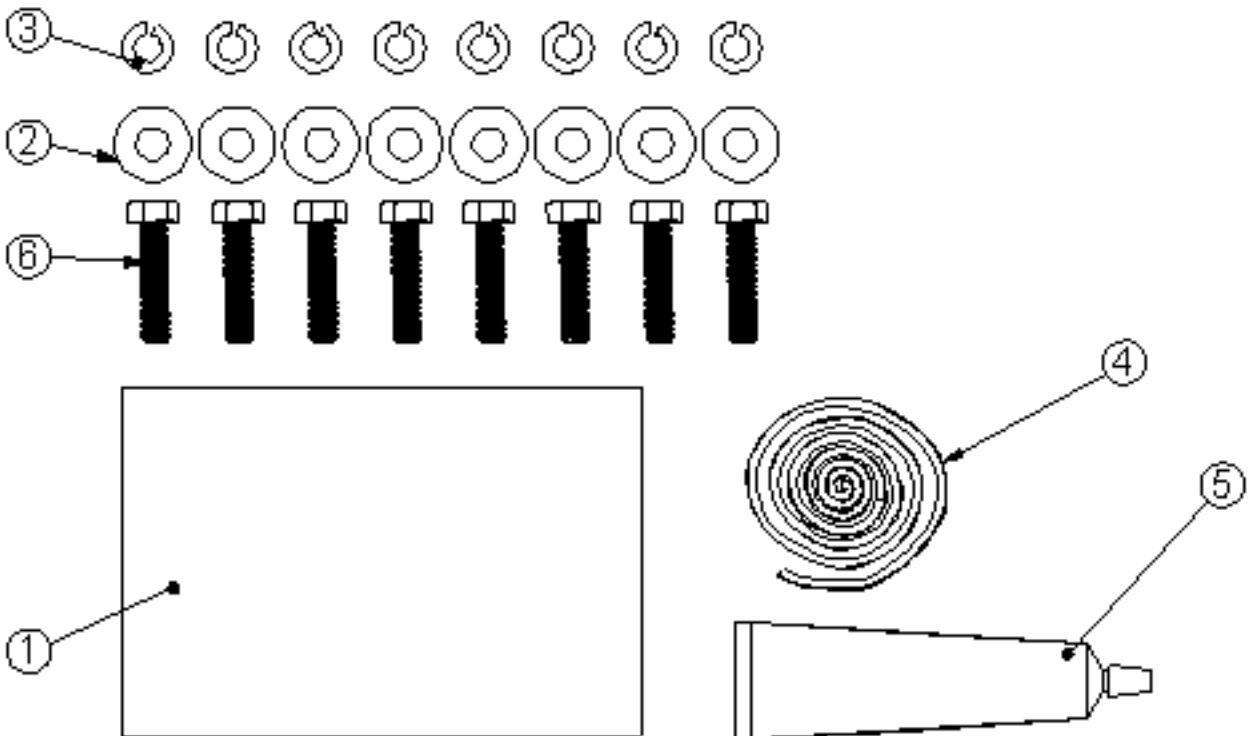
BAG50896 - FASTENER BAG

ITEM NO.	PART NUMBER	DESCRIPTION	BAG50896/QTY.
1	BAG0406-A	4" x 6" 3MIL AUTOBAG	1
2	FAS0552	Washer, Flat, 5/16, SST	16
3	FAS0597	Screw, Hex Hd, 5/16-18x 1.00 SST	8
4	FAS0248	Nut, Nylon Insert Lock, 5/16-18 SST	16
5	FAS0808	Bolt, Carriage, 5/16-18x3 1/2	8



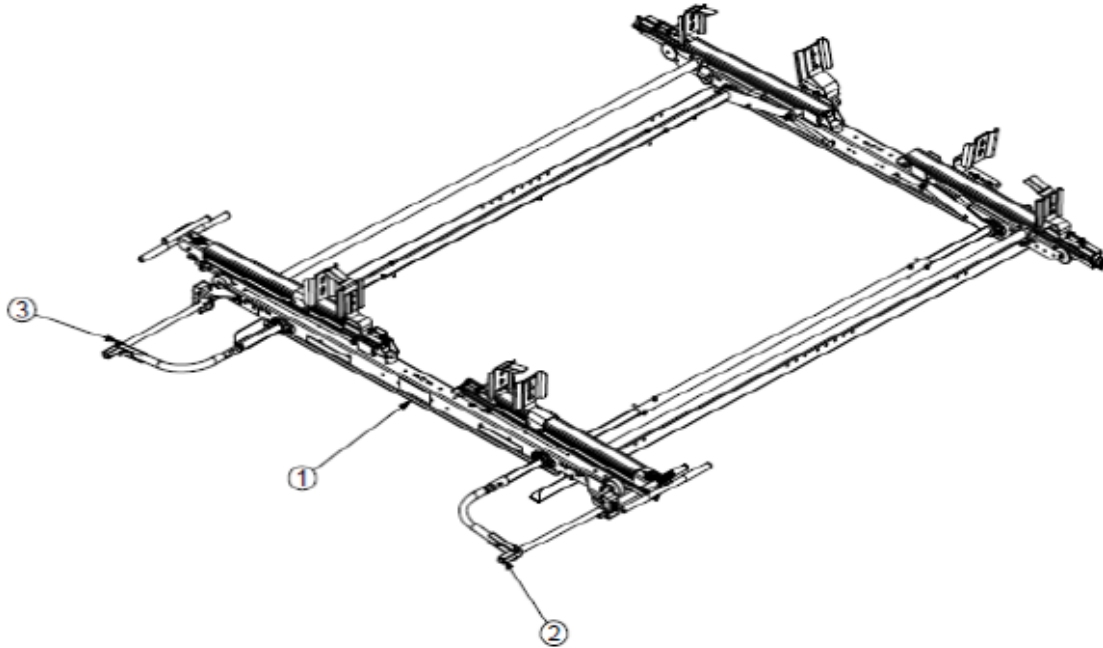
BAGRRKFTL—FASTENER BAG, TRANSIT ROOF RAILS

ITEM NO.	PART NUMBER	DESCRIPTION	BAGFTLRRK/QTY.
1	BAG0406-A	4" x 6" 3MIL AUTOBAG	1
2	FAS0552	Washer, Flat, 5/16, SST	8
3	FAS0588	Washer, Lock, Split, 5/16, SS	8
4	05586-0	Butyl Tape, T224 -1/2"X 1' Roll	1
5	26618-0	Silicone Sealant	1
6	FAS0173	SCREW, HH, M8-1.25X35 SS	8



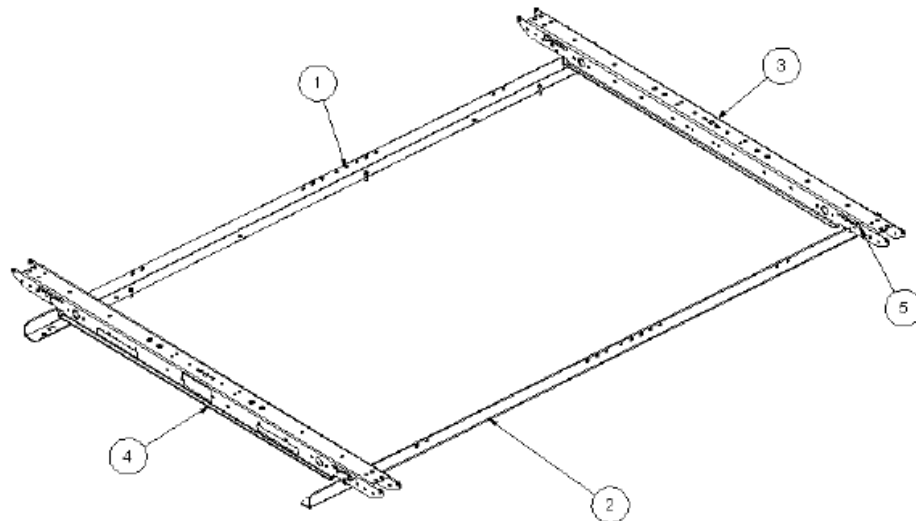
LADDER RACK ASSEMBLY—DDL63FTL

ITEM NO.	PART NUMBER	DESCRIPTION	DDL63FTL QTY.
1	RRKFT130	ROOF RAIL KIT, TRANSIT, LR	1
2	DDL61LCS	DDL61, CURB SIDE, LOW ROOF	1
3	DDL61LSS	DDL61, STREET SIDE, LOW ROOF	1



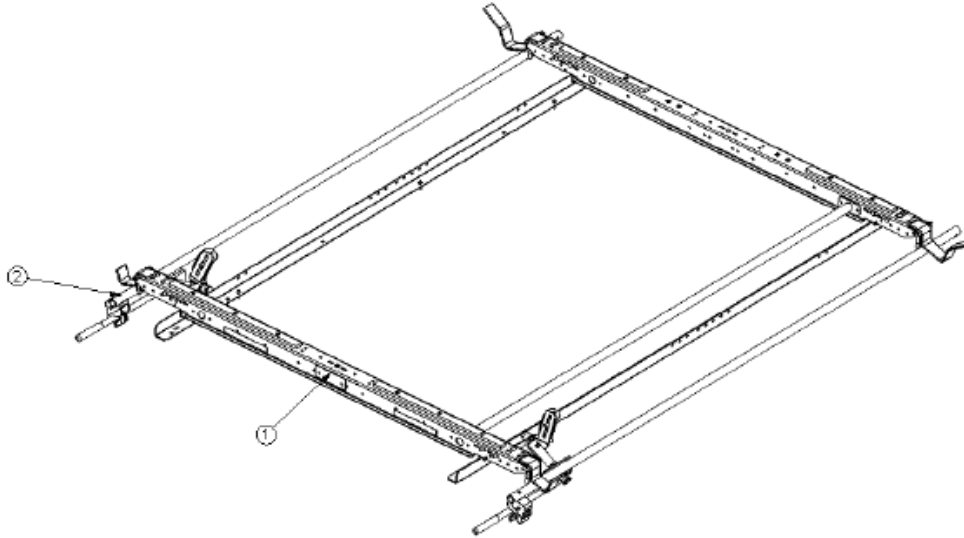
RRKFT130 - ROOF RAIL KIT, TRANSIT, LR

ITEM NO.	PART NUMBER	DESCRIPTION	RRKFT130 QTY.
1	50893	ROOF RAIL, SS FTL	1
2	50894	Roof Rail, CS, FTL	1
3	51398	FRONT CROSS BOW ASSM, TRANSIT STD	1
4	51399	REAR CROSS BOW ASSM, TRANSIT STD	1
5	40323	FOOT, NISSAN	4



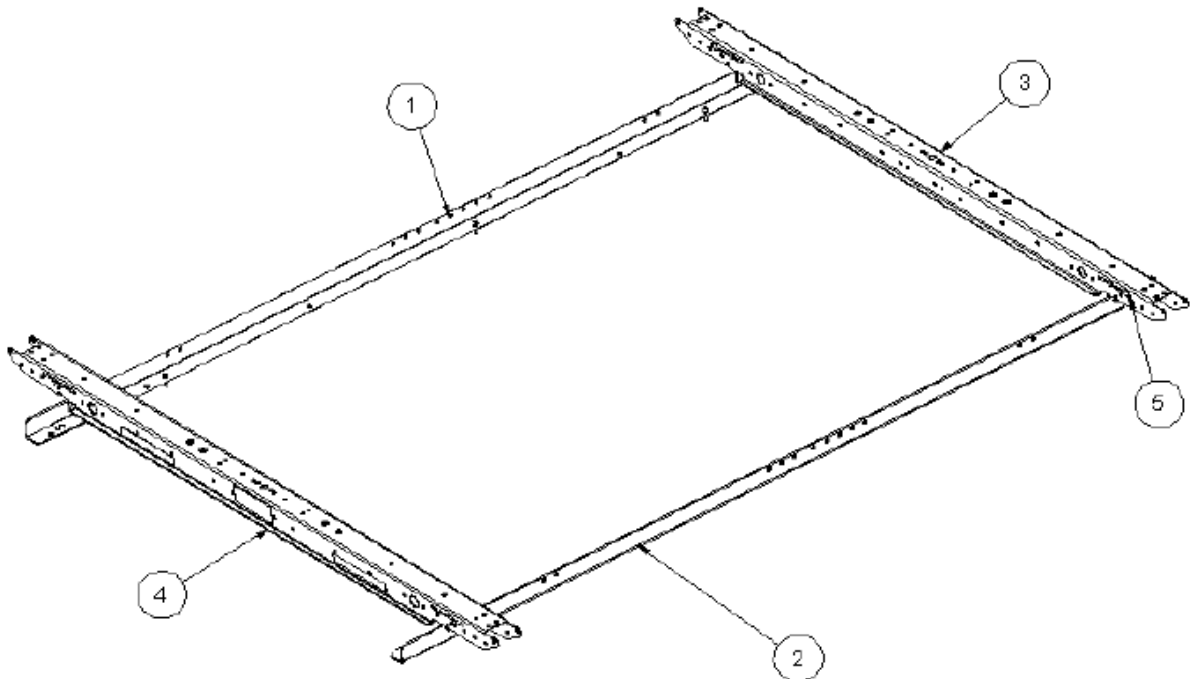
LADDER RACK ASSEMBLY — 63 - GLFTL

ITEM NO.	PART NUMBER	DESCRIPTION	63-GLFTL/QTY.
1	RRKFT130	ROOF RAIL KIT, TRANSIT, LR	1
2	51686	GRIP LOCK LADDER RACK, DBL, LR	1



RRKFT130 — ROOF RAIL KIT, TRANSIT, LR

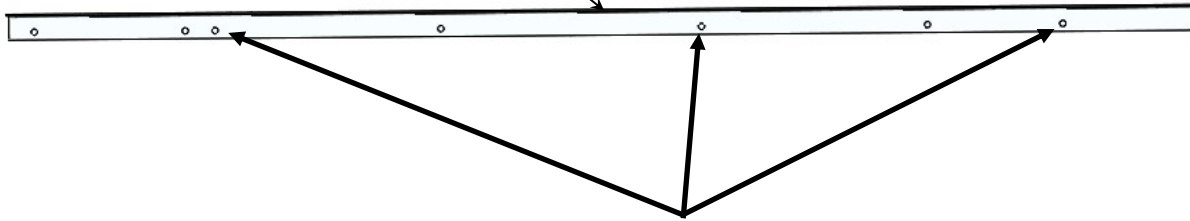
ITEM NO.	PART NUMBER	DESCRIPTION	RRKFT130/QTY.
1	50893	ROOF RAIL, SS FTL	1
2	50894	Roof Rail, CS, FTL	1
3	51398	FRONT CROSS BOW ASSM, TRANSIT STD	1
4	51399	REAR CROSS BOW ASSM, TRANSIT STD	1
5	40323	FOOT,NISSAN	4





STEP #1 : PREP ROOF RAILS—NOTE THE HOLE PATTERNS

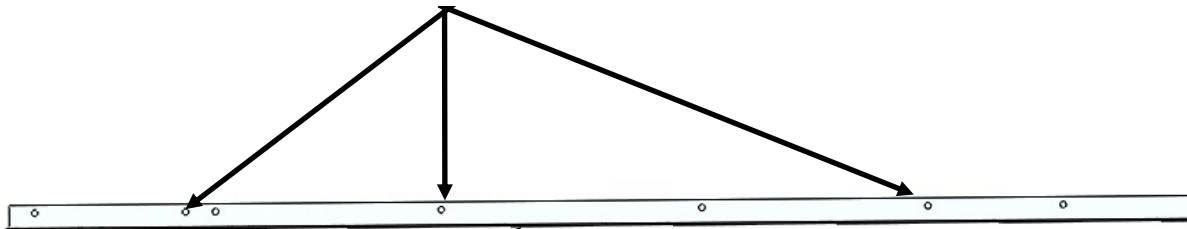
50893 STREET SIDE ROOF RAIL
TOE UP TO THE OUTSIDE



130" WB MOUNTING
LOCATIONS BOTH SIDES
3rd, 5th and 7th HOLE

REAR OF THE VAN

148" WB MOUNTING
LOCATIONS BOTH SIDES
2nd, 4th and 6th HOLE



50894 CURB SIDE ROOF RAIL
TOE UP TO THE OUTSIDE

50893 STREET SIDE ROOF RAIL
TOE UP TO THE OUTSIDE

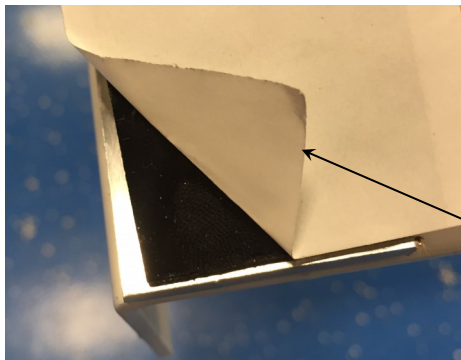
REAR OF VAN

43417 DOUBLE
SIDED TAPE

3.5

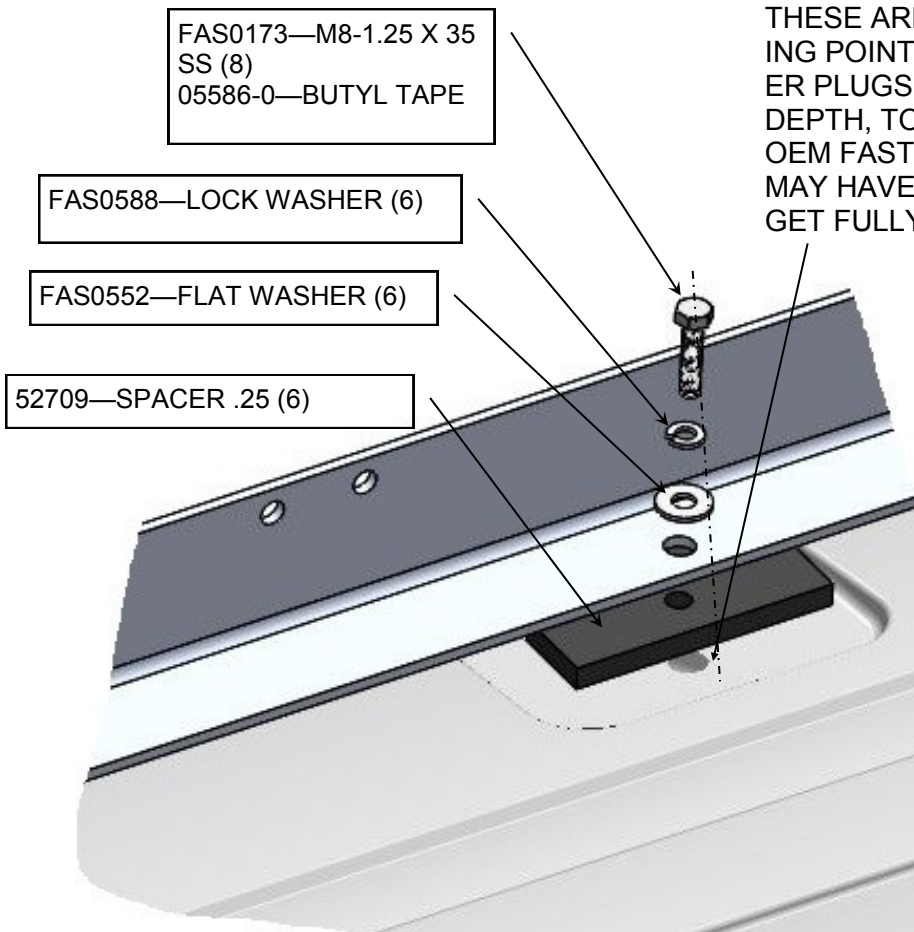
47117 FOAM STRIP CUT TO 91.5" AND
ATTACH TO THE BOTTOM OF THE
RAIL, LEAVING 3.5" AT THE REAR FOR
THE DOUBLE SIDED TAPE

52709, PLACE THE 1/4 THICK RUBBER
SPACER UNDER EACH HOLE TO BE
USED AS SHOWN.



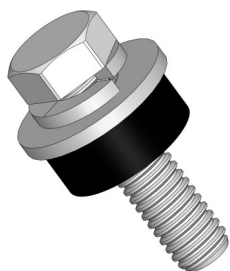
43417 DOUBLE SIDED TAPE
PEAL EDGE OVER TO ASSIST
WHEN INSTALLING

SHIP THRU ONLY—STEP #2A INSTALL RAILS ON VEHICLE



REMOVE PLASTIC PLUGS FROM SQUARE DEPRESSIONS ONLY. THESE ARE THE FACTORY MOUNTING POINTS. DO **NOT** REMOVE OTHER PLUGS!! RUN M8-1.25 TAP, FULL DEPTH, TO CLEAN OUT THREADS IN OEM FASTENER IF NECESSARY. MAY HAVE TO REPEAT PROCESS TO GET FULLY CLEAN.

CAREFULLY REMOVE PLASTIC PLUGS FROM FACTORY ATTACHMENT POINTS. NOTE, THEY ARE INSTALLED PRIOR TO VEHICAL BEING PAINTED. IF ROOF CLEARANCE HOLES AND OEM FASTENER ARE MISALIGNED TOO FAR, HOLE IN ROOF SKIN MAY NEED TO BE ENLARGED (AND PRIMERED), AS WELL AS CORRESPONDING HOLE IN ROOF RAIL OF RACK. WRAP SCREWS WITH BUTYL TAPE BENEATH WASHERS, ENOUGH TO FILL HOLE IN RAIL. PUSH SREWS THRU FOAM, AND RUBBER PAD, ADD ENOUGH SILICONE TO FILL EACH CAVITY. INSTALL SCREWS AND WASHERS AS SHOWN. TORQUE TO 10 TO 12 FT LBS. TORQUE ALL FASTENERS ON RACK ITSELF TO 10-12 FT LBS. DO NOT OVER-TORQUE AS THESE ARE STAINLESS STEEL FASTENERS!

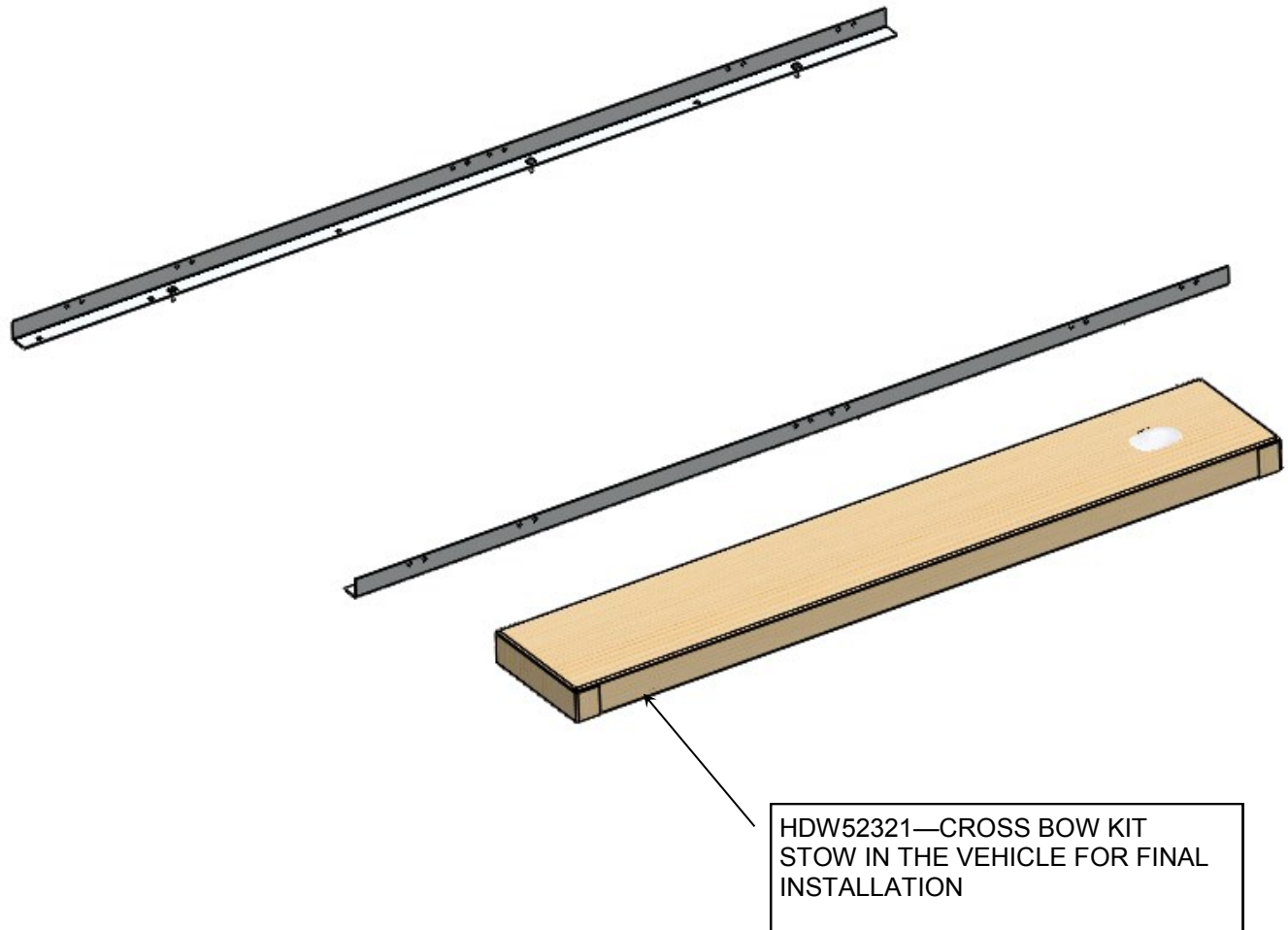


GENERIC PICTURE—MAY NOT LOOK LIKE YOUR FASTENER. MOUNTING SCREW WITH WASHERS AND BUTYL TAPE BEFORE INSTALLATION (LEFT) AND WHAT IT SHOULD LOOK LIKE AFTER INSTALLATION (RIGHT).



SHIP THRU ONLY—STEP #2B THIS IS WHAT YOUR SHIP THRU FINAL INSTALLATION WILL LOOKS LIKE.

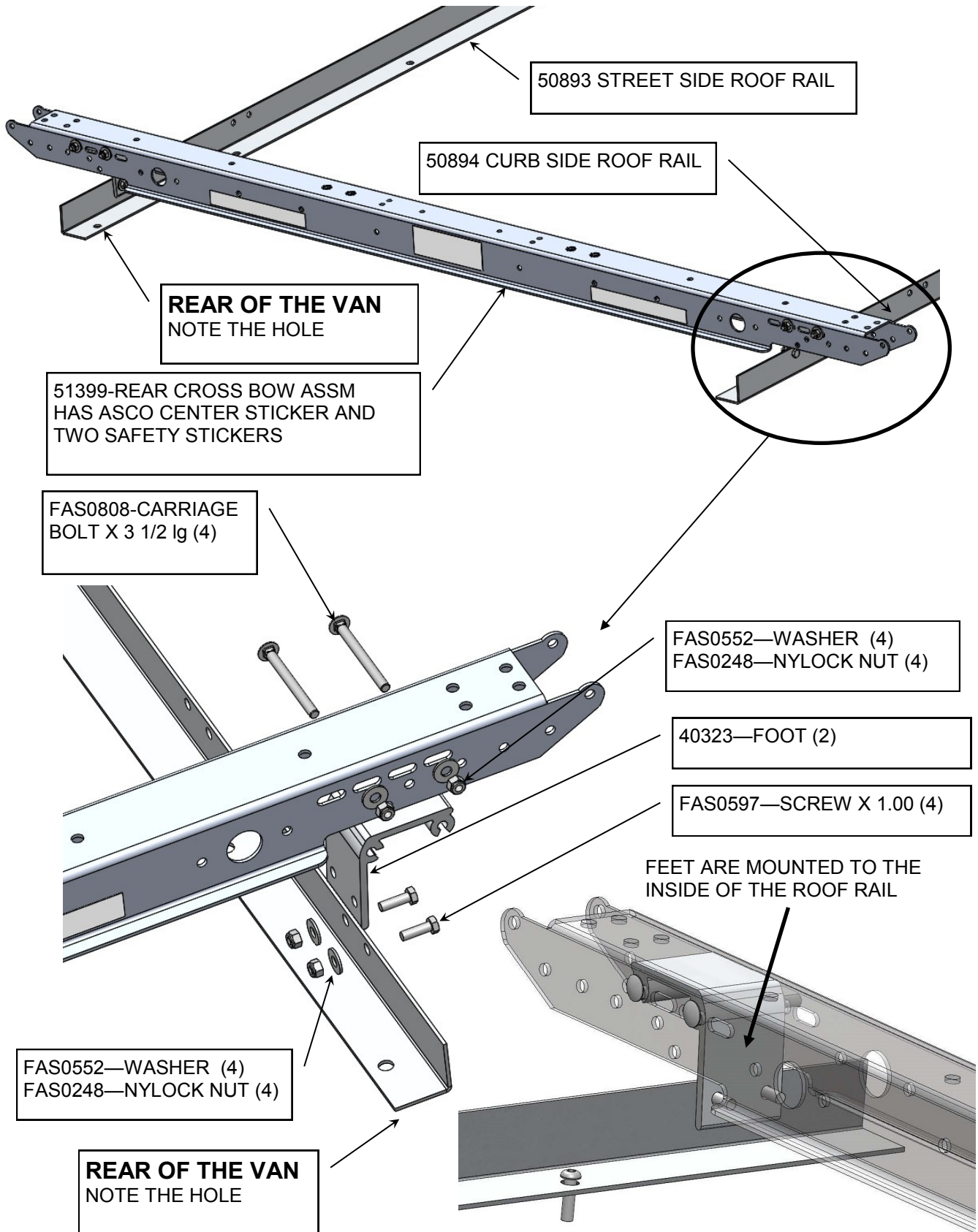
CONTINUE TO STEP #3 FOR A COMPLETE ASSEMBLY / INSTALL



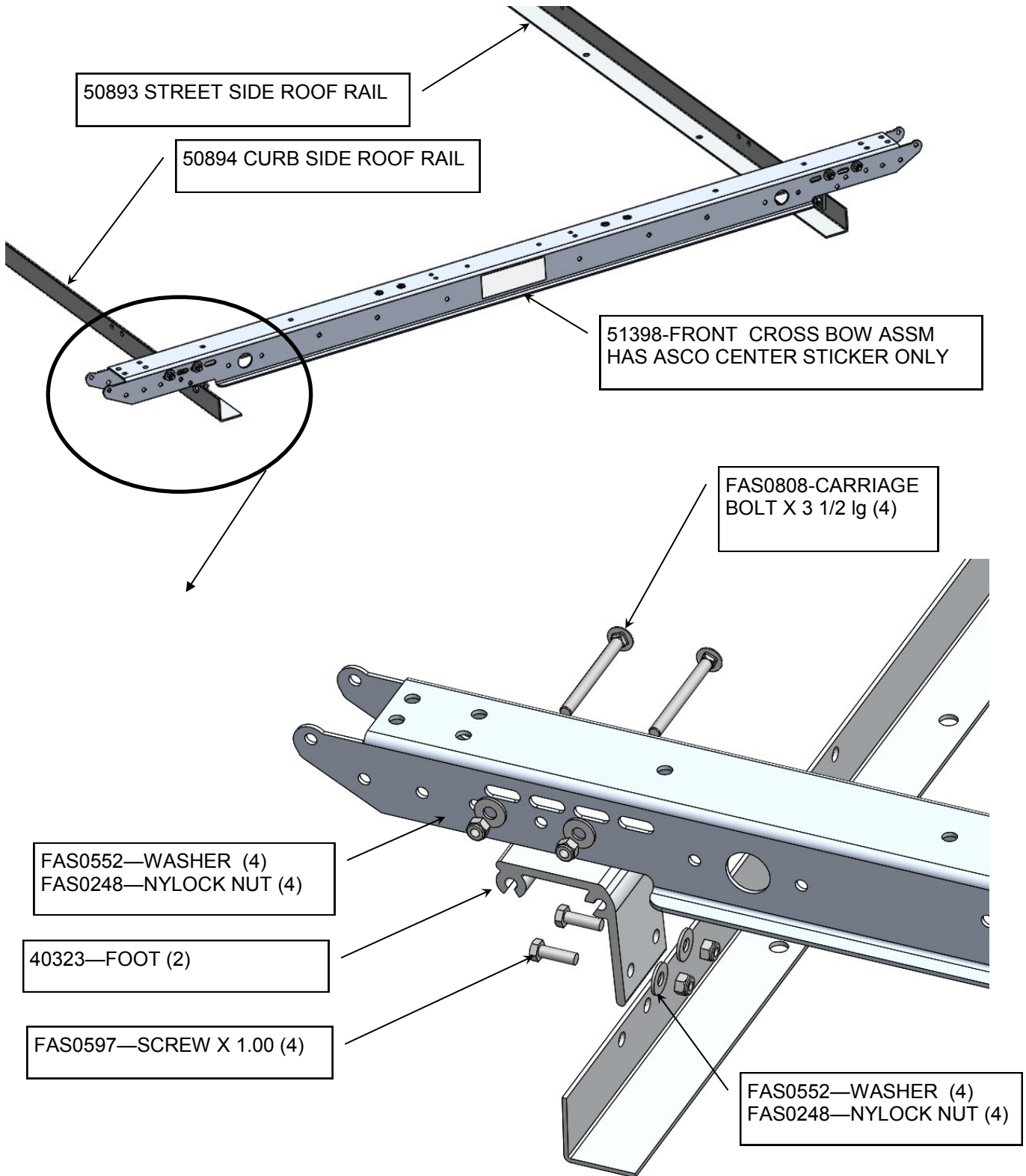
STEP #2B : THIS IS THE FINISHED ROOF RAIL KIT FOR SHIP THRU

-CONTINUE TO STEP #3 FOR A COMPLETE ASSEMBLY / INSTALL

STEP #3 : ASSEMBLE REAR CROSS BOW TO THE ROOF RAILS

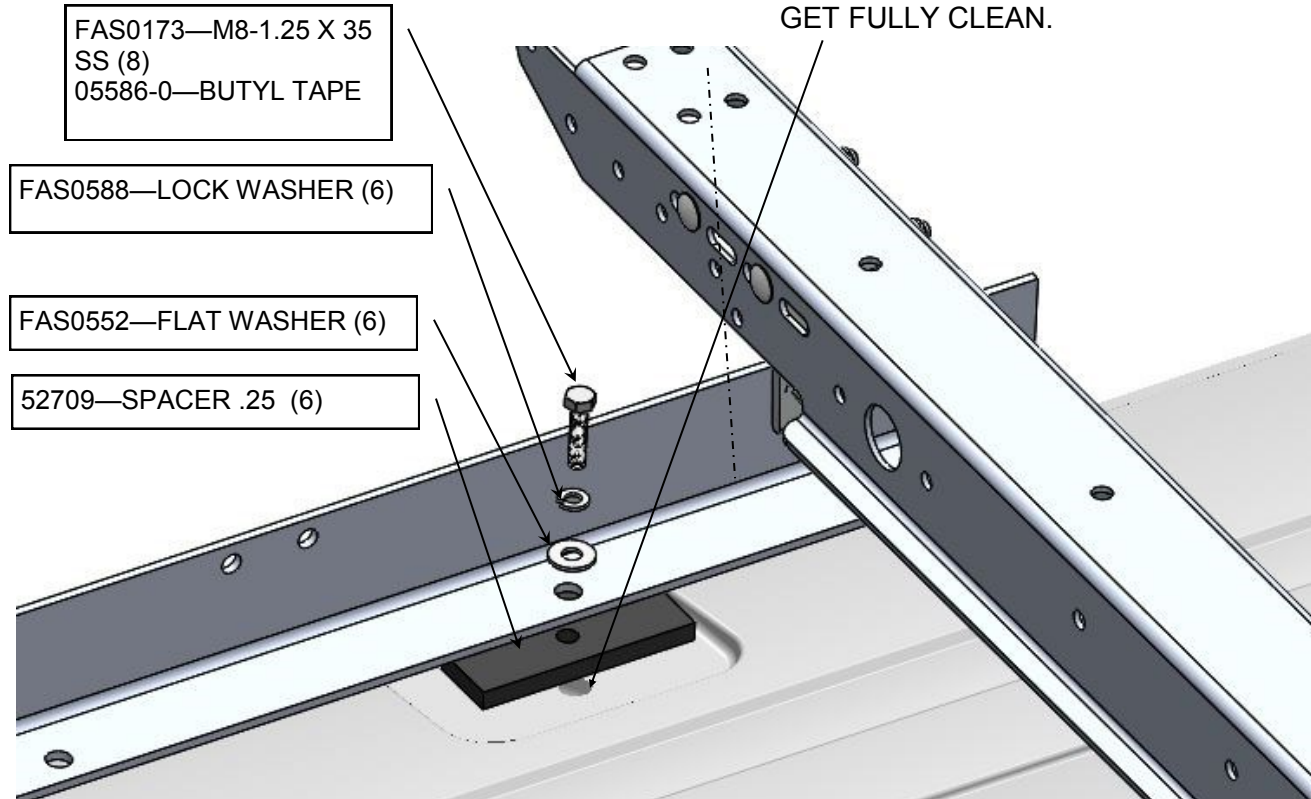


STEP #3 : ASSEMBLE FRONT CROSS BOW TO THE ROOF RAILS

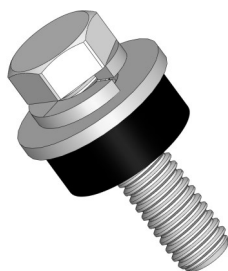


STEP #5 INSTALL RACK ON VEHICLE

REMOVE PLASTIC PLUGS FROM SQUARE DEPRESSIONS ONLY. THESE ARE THE FACTORY MOUNTING POINTS. DO **NOT** REMOVE OTHER PLUGS!! RUN M8-1.25 TAP, FULL DEPTH, TO CLEAN OUT THREADS IN OEM FASTENER IF NECESSARY. MAY HAVE TO REPEAT PROCESS TO GET FULLY CLEAN.



CAREFULLY REMOVE PLASTIC PLUGS FROM FACTORY ATTACHMENT POINTS. NOTE, THEY ARE INSTALLED PRIOR TO VEHICAL BEING PAINTED. IF ROOF CLEARANCE HOLES AND OEM FASTENER ARE MISALIGNED TOO FAR, HOLE IN ROOF SKIN MAY NEED TO BE ENLARGED (AND PRIMERED), AS WELL AS CORRESPONDING HOLE IN ROOF RAIL OF RACK. WRAP SCREWS WITH BUTYL TAPE BENEATH WASHERS, ENOUGH TO FILL HOLE IN RAIL. PUSH SCREWS THRU FOAM, AND RUBBER PAD, ADD ENOUGH SILICONE TO FILL EACH CAVITY. INSTALL SCREWS AND WASHERS AS SHOWN. TORQUE TO 10 TO 12 FT LBS. TORQUE ALL FASTENERS ON RACK ITSELF TO 10-12 FT LBS. DO NOT OVER-TORQUE AS THESE ARE STAINLESS STEEL FASTENERS!



GENERIC PICTURE—MAY NOT LOOK LIKE YOUR FASTENER. MOUNTING SCREW WITH WASHERS AND BUTYL TAPE BEFORE INSTALLATION (LEFT) AND WHAT IT SHOULD LOOK LIKE AFTER INSTALLATION (RIGHT).



COMPLETE DROP DOWN COMBO LADDER RACK





Introduction / Comments:

THIS ROOF RAIL AND CROSS BOW KIT IS DESIGNED FOR THE FORD TRANSIT LOW ROOF VANS, BOTH 130" AND 148" WHEEL BASE. IT IS THE BASE UNIT FOR ALL OF THE LADDER RACK COMBINATIONS FOR THIS VEHICLE. INCLUDING THE SINGLE AND DOUBLE DROP DOWN LADDER RACK, THE SINGLE AND DOUBLE GRIP LOCK, AND THE COMBO GRIP LOCK DROP DOWN LADDER RACK.

Note:

It is advised that all fasteners used in this assembly and installation of this Rack should be checked for tightness at the following intervals: @ 2-weeks and again @ 6-weeks of operation. This preventive maintenance step must be completed to ensure your package gives you long service life.



DEALER FINAL ASSEMBLY-CROSS BOW KIT FORD TRANSIT LOW ROOF VANS

- PRECAUTIONS -





 **CAUTION** 
**THE USE OF AIR IMPACT TOOLS CAN
OVER-TORQUE FASTENERS AND
CAUSE FASTENER FAILURE!**



 **CAUTION** 
**ALL INSTALLATION HOLES SHOULD BE SEALED
WITH SILICON OR BUTYL SEALANT TO PREVENT
EXHAUST FUMES FROM ENTERING THE VEHICLE!**



 **DANGER** 
**INSPECT FOR FUEL TANK, FUEL LINES, BRAKE LINES, HIGH
VOLTAGE BATTERIES AND ELECTRICAL LINES PRIOR TO
DRILLING TO AVOID DAMAGING CRITICAL VEHICLE SYSTEMS
OR INJURY TO INSTALLER DURING INSTALLATION PROCESS!**



 **CAUTION** 
**TO AVOID DAMAGING THE VEHICLE ALWAYS
USE DRILL STOPS WHEN DRILLING ANY IN-
STALLATION HOLES!**



- IMPORTANT WARRANTY REQUIREMENTS -

1. SUBSTITUTING ADRIAN STEEL SPECIFIED FASTENERS FOR ASSEMBLY AND/OR INSTALLATION WILL VOID YOUR PRODUCT WARRANTY.
2. ALL HOLES DRILLED INTO VEHICLE SHOULD HAVE THE RAW METAL EDGES SEALED WITH A SELF-ETCHING PRIMER TO RESIST CORROSION AND POTENTIAL FASTENER POINT FAILURE.
3. ALL FASTENERS USED IN THE INSTALLATION OF THIS PRODUCT SHOULD BE TIGHTENED TO THE TORQUE(S) SPECIFIED IN THESE INSTRUCTIONS.
4. THESE INSTRUCTIONS SHOULD BE KEPT WITH THE VEHICLE.

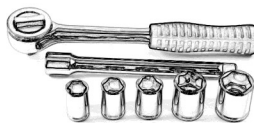
THE BASIC TOOLS NEEDED FOR MOST INSTALLATIONS



DRILL



DRILL BIT WITH
STOP



RATCHET, SOCKETS
AND/OR WRENCHES



SCREWDRIVERS

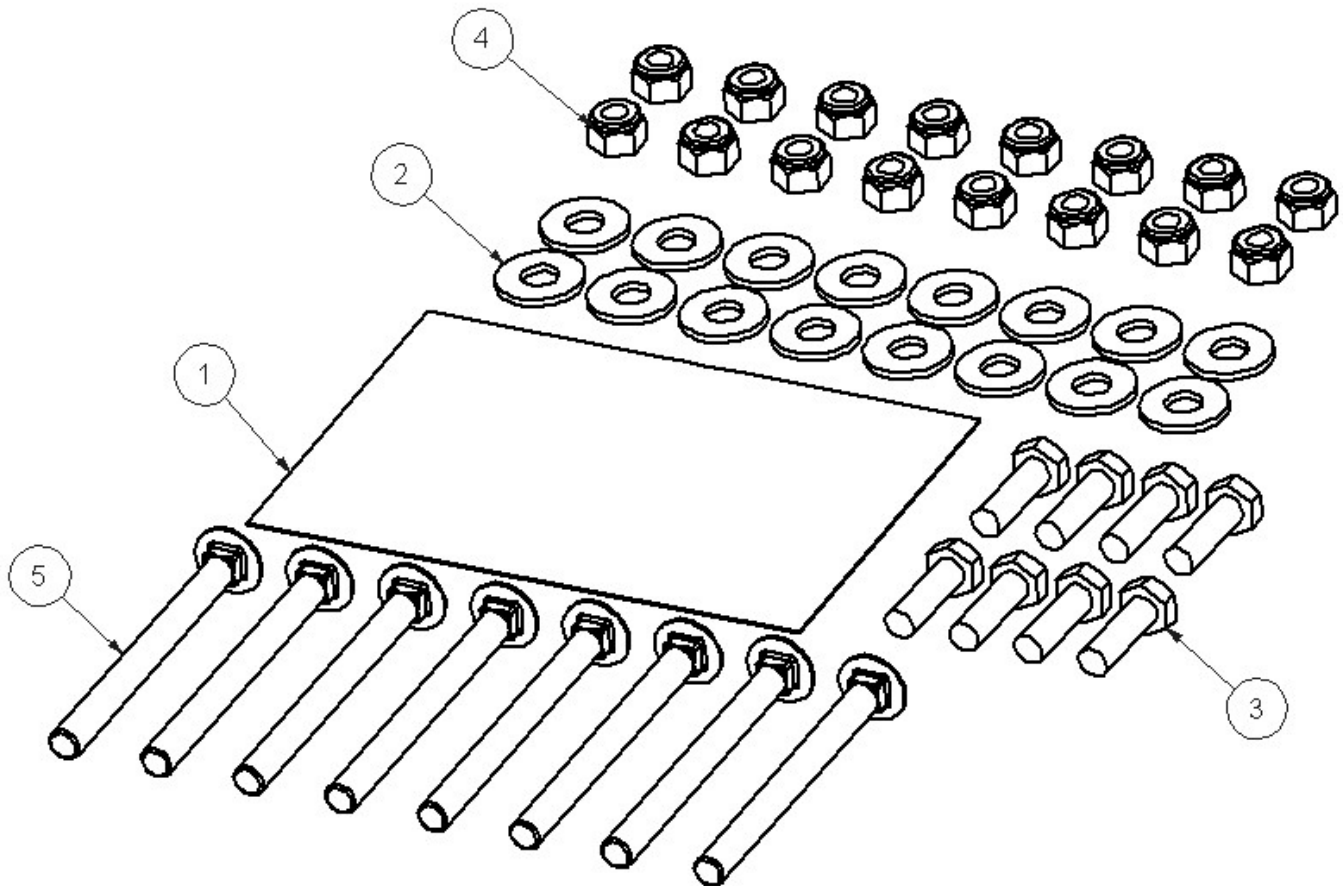


MEASURING TAPE

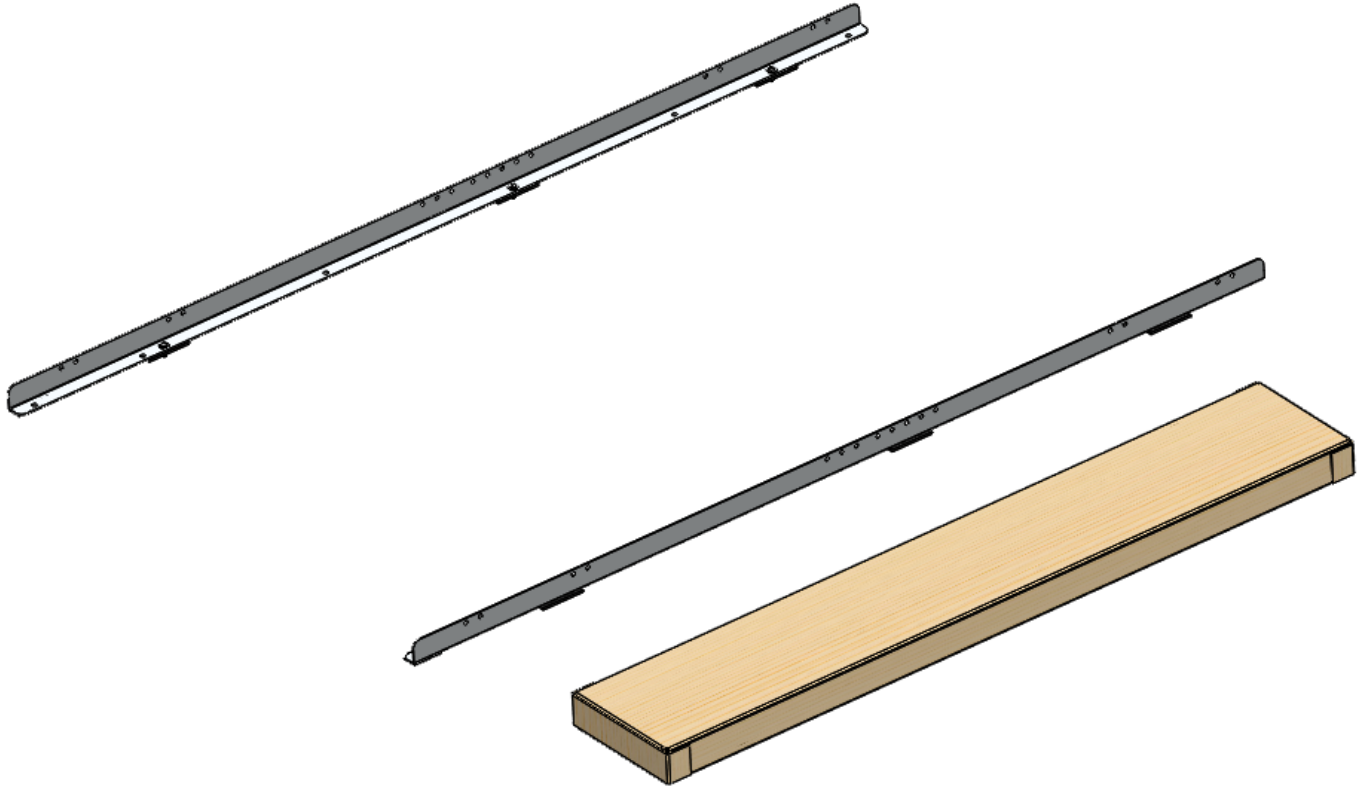
ADDITIONAL TOOLS MAY BE NEEDED FOR THIS INSTALLATION AND THEY WILL BE IDENTIFIED IN THE STEPS THAT FOLLOW.

BAG50896 - FASTENER BAG

ITEM NO.	PART NUMBER	DESCRIPTION	BAG50896/QTY.
1	BAG0406-A	4" x 6" 3MIL AUTOBAG	1
2	FAS0552	Washer, Flat, 5/16, SST	16
3	FAS0597	Screw, Hex Hd, 5/16-18x 1.00 SST	8
4	FAS0248	Nut, Nylon Insert Lock, 5/16-18 SST	16
5	FAS0808	Bolt, Carriage, 5/16-18x3 1/2	8



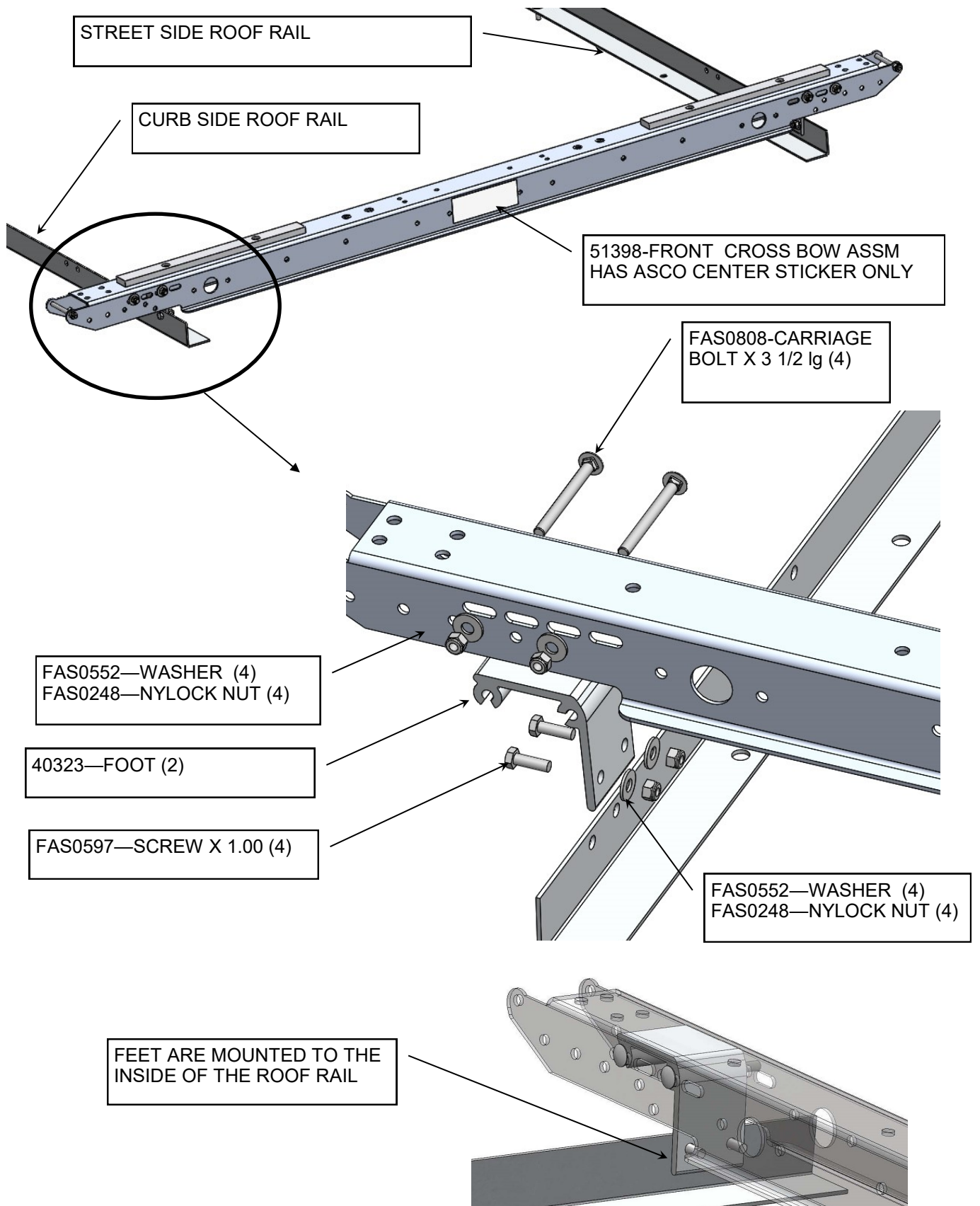
THE VEHICLE WILL ARRIVE AT THE DEALER WITH ONLY THE ROOF RAILS INSTALLED ON THE VEHICLE. ADDING THE CROSSBOWS WILL VARY DEPENDING ON WHAT LADDER RACK IS GETTING INSTALLED.



HDW52321—CROSS BOW KIT
THIS ITEM IS STOWED IN
THE VEHICLE.

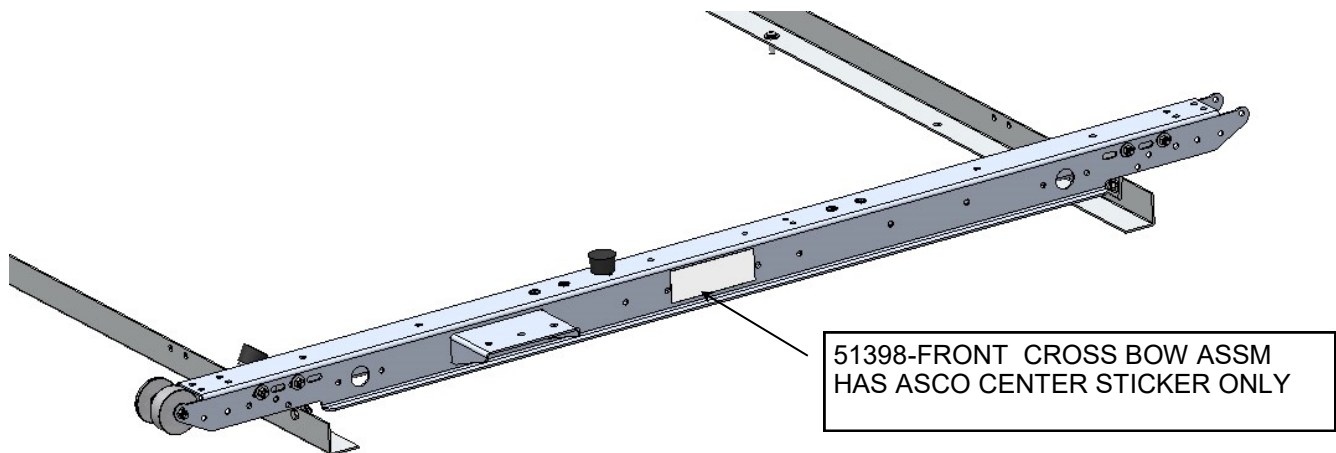


**STEP #1A: ASSEMBLE FRONT CROSS BOW TO THE ROOF RAILS
SHOWING A DOUBLE GRIP LOCK—IMAGES WILL VARY**





**STEP #1B : SHOWING A SINGLE DROP DOWN FRONT CROSS BOW
IMAGES WILL VARY**



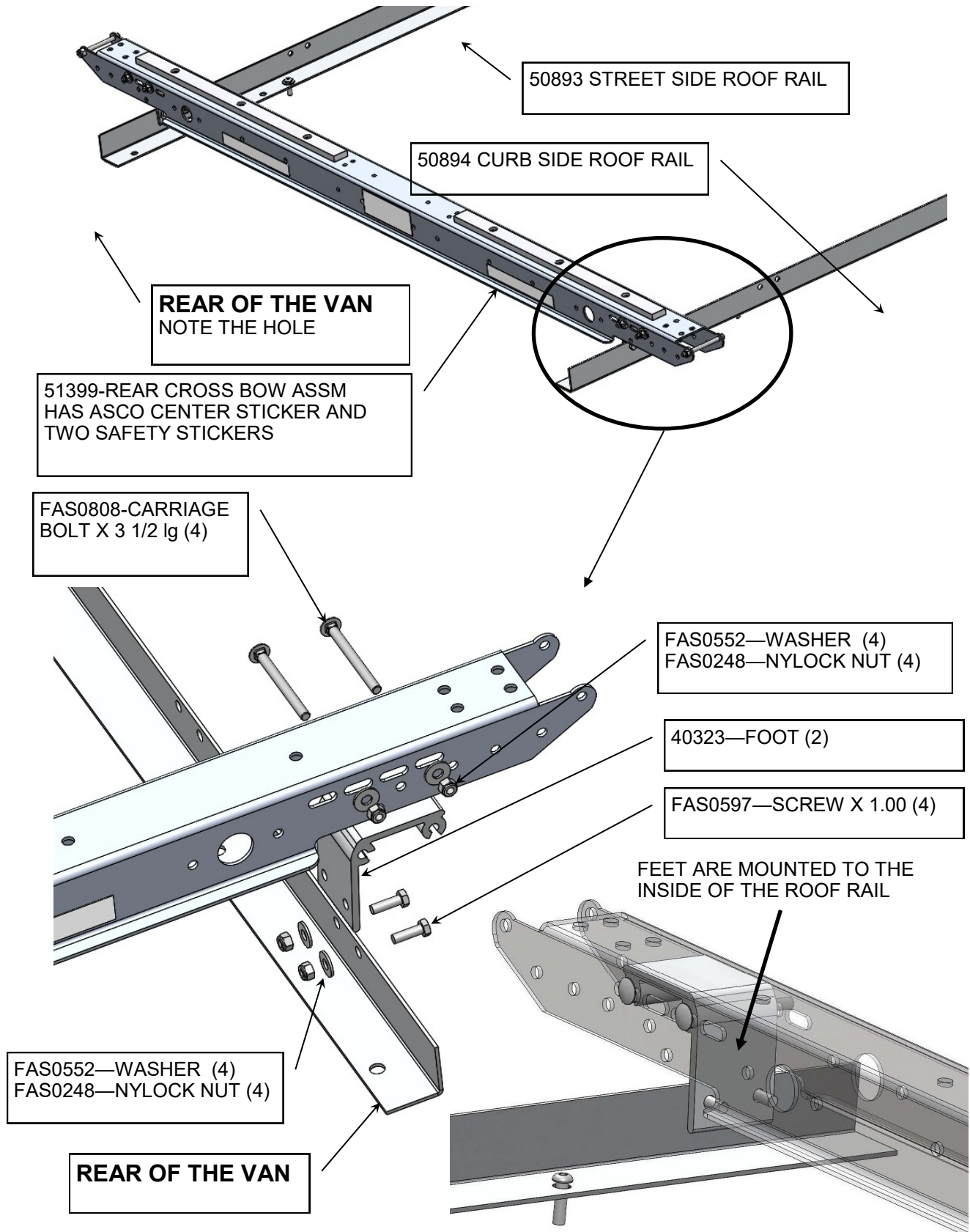
**STEP #1C : IF YOU ARE INSTALLING A DROP DOWN UNIT, YOUR CROSS
BOW FINAL INSTALLATION IS NOW COMPLETE. PROCEED TO THE DROP
DOWN FINAL INSTALLATION INSTRUCTIONS**



**DOUBLE CHECK ALL FASTENERS LOCATIONS TO BE SURE THAT ALL
FASTENERS ARE TIGHTENED TO SPECIFICATIONS.
YOUR INSTALLATION IS NOW COMPLETE!
STOW THIS COPY IN THE VEHICLE FOR FUTURE REFERENCES!**



STEP #2A : ASSEMBLE REAR CROSS BOW TO THE ROOF RAILS ONLY IF YOU HAVE A SINGLE OR DOUBLE GRIP LOCK.





STEP #2B : SHOWING A DOUBLE GRIP LOCK CROSS BOW FINAL ASSEMBLY



**DOUBLE CHECK ALL FASTENERS LOCATIONS TO BE SURE THAT ALL
FASTENERS ARE TIGHTENED TO SPECIFICATIONS.
YOUR INSTALLATION IS NOW COMPLETE!
STOW THIS COPY IN THE VEHICLE FOR FUTURE REFERENCES!**