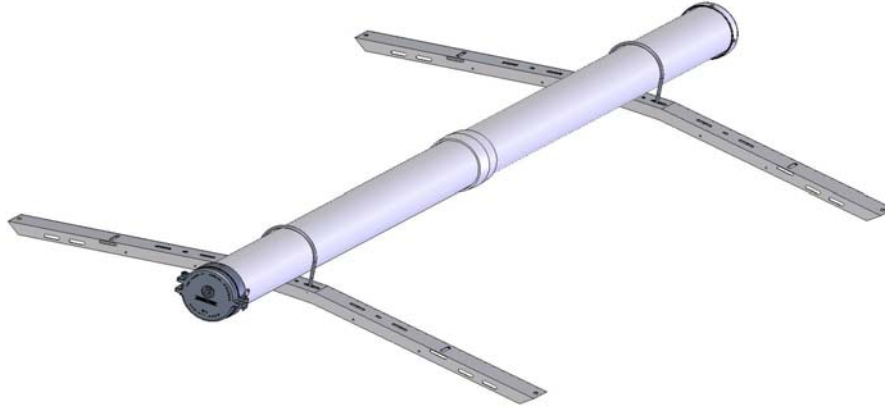




ASSEMBLY & INSTALL INSTRUCTIONS



34064-0

ADRIAN STEEL PVC CONDUIT KIT 4" X 10'

34065-0

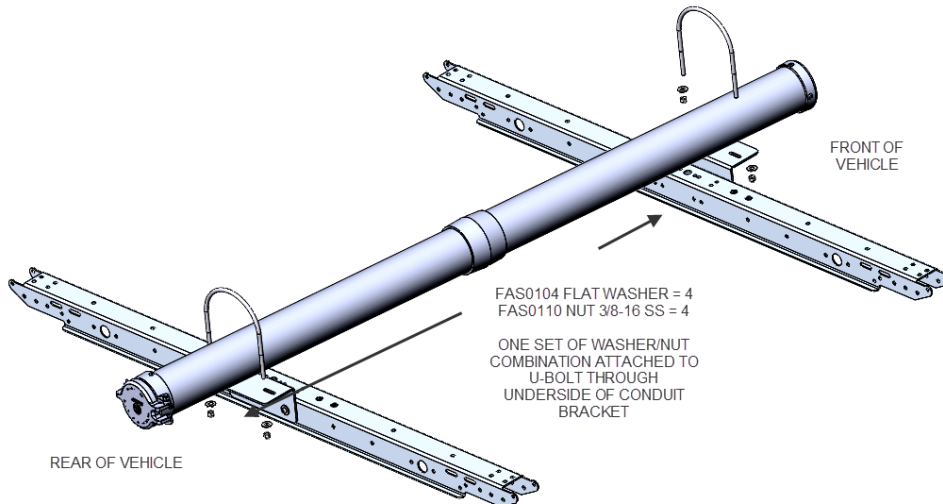
ADRIAN STEEL PVC CONDUIT KIT 6" X 10'

51693

CON. CARRIER 6" FLEET

51890

CON. CARRIER 4" FLEET



ECN-18831 DATE: 08/11/16 DWG. BY: KG REV. BY: KG CHK. BY: KG ISSUE: B P.N.: 34070-0



ADRIAN STEEL®

VAN AND PICKUP EQUIPMENT

4" & 6" ADRIAN STEEL PVC CONDUIT

BEFORE YOU START!

IMPORTANT INSTALLATION STEPS ARE DENOTED USING A STOP SIGN. THESE STEPS MUST BE PERFORMED AS SPECIFIED IN ORDER TO ENSURE A PROPER INSTALLATION AND MUST BE FOLLOWED IN ORDER TO MAINTAIN YOUR PRODUCT WARRANTY!



CRITICAL INFORMATION PERTAINING TO USER AND/OR VEHICLE SAFETY IS DENOTED USING A CAUTION SIGN. SAFETY ITEMS MUST BE STRICTLY ADHERED TO IN ORDER TO ENSURE A SAFE WORKING ENVIRONMENT!



YOU WILL NEED THE FOLLOWING TOOLS IN ORDER TO COMPLETE THIS JOB.

9/16" OPEN END WRENCH &/or Ratchet w/ 9/16" Deep Well Socket,
DRILL MOTOR, 1/4" DRILL BIT, SAFETY GLASSES, HAMMER,
TAPE MEASURE, HANDSAW (for cutting PVC tube to length),

ALL FASTENERS USED IN THE ASSEMBLY AND INSTALLATION OF THIS PRODUCT SHOULD BE TIGHTENED TO THE SPECIFIED TORQUE AS LISTED WITH EACH FASTENER CALLOUT BOX.



THE USE OF AIR OR ELECTRIC IMPACT TOOLS FOR THE ASSEMBLY OF FASTENERS IS NOT RECOMMENDED AND COULD CAUSE FASTENER FAILURE!



WARNING



THE USE OF DRILLS WITH INTEGRAL DRILL STOPS ALONG WITH PROPER INSPECTION FOR GAS TANK, GAS LINES, BRAKE LINES AND ELECTRICAL LINES PRIOR TO DRILLING ANY MOUNTING HOLES IS STRONGLY RECOMMENDED TO ENSURE THAT VEHICLE DAMAGE IS AVOIDED!



THE USE OF NON-STANDARD FASTENERS AND/OR DEVIATING FROM THE FASTENERS SPECIFIED IN THE INSTRUCTION (S) MAY VOID YOUR PRODUCT WARRANTY!

ALL DRILLED HOLES IN THE VEHICLE SHOULD HAVE THE RAW METAL EDGES SEALED WITH A SELF-ETCHING PRIMER TO RESIST CORROSION AND POTENTIAL FASTENER POINT FAILURE!

ADRIAN STEEL COMPANY • 906 JAMES ST. • ADRIAN, MI. 49221 • (517) 265-6194







STEP- 01

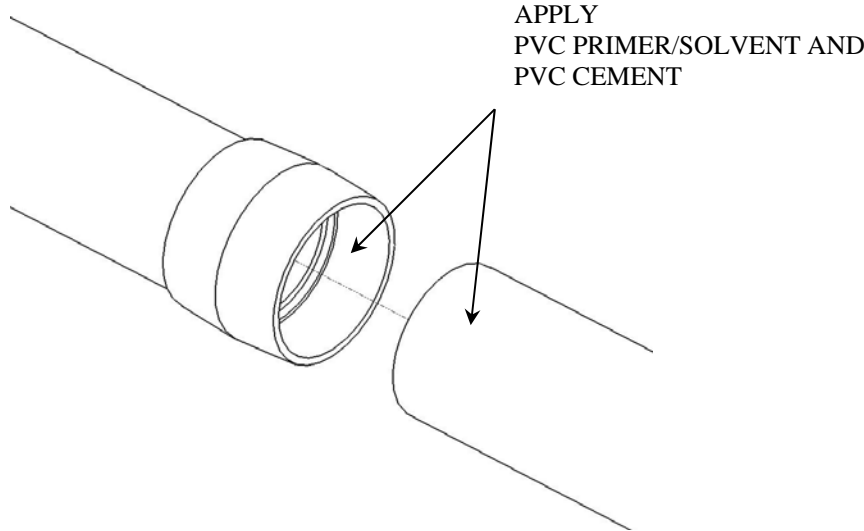
JOINING THE PVC CONDUIT KIT SECTIONS

Please note that CONDUIT KITS (34064-0, 34065-0) require adhesive bonding of the PVC tube sections with a PVC coupler prior to mounting the HOLDER KITS onto the vehicle ladder rack.

IMPORTANT: ALWAYS FOLLOW ADHESIVE & PRIMER/SOLVENT MANUFACTURES DIRECTIONS ON CONTAINER FOR PROPER SAFETY AND USE OF PRODUCT.

Remove excess PVC Adhesive material with a paper towel on the outside surface of the PVC tube.

 <p>34015-0 PVC PRIMER/SOLVENT 4 oz CAN</p>	 <p>34016-0 PVC CEMENT 4 oz CAN</p>	 <p>32068-0 4" OR 34069-0 6" A.S. PVC REAR ASSEMBLY</p>	 <p>32066-0 4" or 34067-0 6" A.S. PVC FRONT ASSEMBLY</p>
---	---	--	--



**IMPORTANT:
ALWAYS FOLLOW ADHESIVE & PRIMER/SOLVENT
MANUFACTURERS DIRECTIONS ON CONTAINER FOR PROPER
SAFETY AND USE OF PRODUCT.**



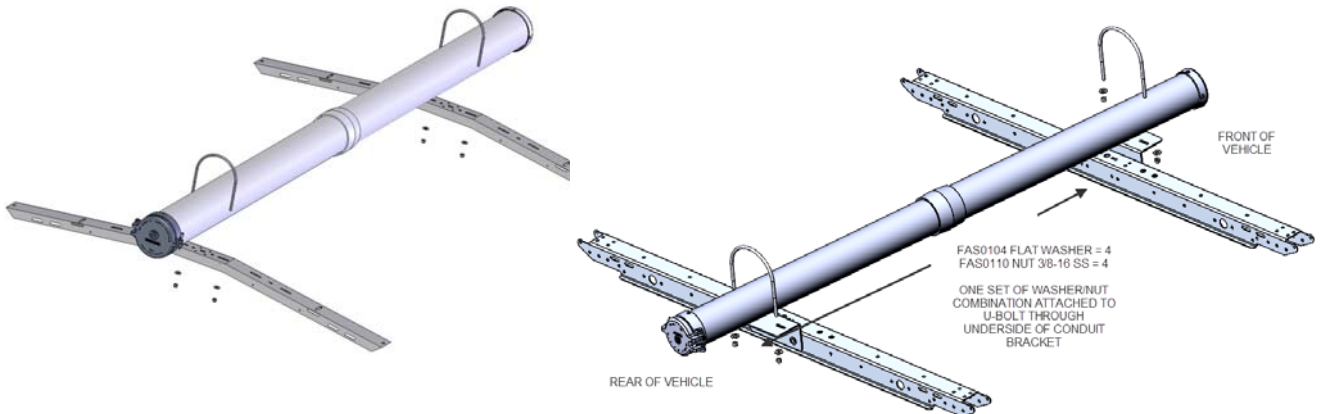
STEP- 02

MOUNTING THE PVC CONDUIT KIT ON VEHICLE LADDER RACK

			
14986-0 U-BOLT, 6" (2) REQ'D	14987-0 U-BOLT, 4" (2) REQ'D	FAS0104 WASHER, FLAT, 3/8"ID (4) REQ'D	FAS0110 NUT, NYLON LOCK, 3/8-16UNC (4) REQ'D 20 FT-LBS TORQUE

The PVC tube HOLDER KITS are mounted to a service vehicle ladder rack. When the kit is mounted the canister lid is positioned to swing to the LH (street) side when opened. Position the PVC tube on the ladder rack at the desire location. Install the "U-Bolts" astride the tube with the threaded ends through the holes/slots in the front and rear cross supports of the vehicle ladder rack. Secure in place with the fasteners shown above, tighten to 20 FT-LBS torque.

When this kit is installed on other than an ADRIAN STEEL ladder rack some drilling may be required.



DOUBLE-CHECK ALL FASTENER LOCATIONS TO BE SURE THAT ALL FASTENERS ARE TIGHTENED TO SPECIFICATIONS!



YOUR INSTALLATION IS NOW COMPLETE! STOW THIS COPY IN THE VEHICLE FOR FUTURE REFERENCE!