



PRODUCT WEIGHT

**35 Lbs**

WIDTH x DEPTH x HEIGHT

**63" x 77.5" x 11"**

CAPACITY

**24' Extension Ladders  
Or 125 Lbs  
See Below**

COLOR

**Aluminum & Black**

CATALOG NUMBER

**2BPMC**

**PRODUCT FEATURES**

**LIGHTWEIGHT, ADJUSTABLE UTILITY RACK FOR DODGE PROMASTER CITY VAN. ALUMINUM CONSTRUCTION WITH COMPOSITE SURFACES TO PREVENT DAMAGE TO LADDERS OR CARGO, STAINLESS STEEL FASTENERS. NO DRILL INSTALLATION! ATTACHES TO FACTORY INSTALLED MOUNTING FASTENERS.**

**SEE PAGE 2 FOR APPLICATION NOTES AND ACCESSORIES, OTHER PRODUCTS THAT WORK WITH THIS UNIT.**

**PAGE 1 of 2**

The information contained in this document is the sole property of ADRIAN STEEL COMPANY. ADRIAN STEEL COMPANY retains the right to modify and/or change the product of its design at any time without prior notification.



**CATALOG NUMBER 2BPMC**

***PRODUCT APPLICATION***

**THIS PRODUCT IS DESIGNED FOR THE PROMASTER CITY VAN.**

***ACCESSORIES THAT WILL WORK WITH THIS PRODUCT***

<b>CATALOG NUMBER</b>	<b>DESCRIPTION</b>
<b>1BPMCGL</b>	<b>CENTER BOW ADD-ON KIT FOR CARRYING SHORT LADDERS OR CARGO</b>
<b>61TCSSUR</b>	<b>UPRIGHT KIT FOR 3<sup>RD</sup> BOW (ABOVE)</b>

***SPECIAL APPLICATION NOTES***

**Additional accessories may be compatible with this product. Please consult with ADRIAN STEEL ENGINEERING to review specific applications not listed here.**

**Introduction / Comments:**

THIS UTILITY RACK IS DESIGNED TO MOUNT TO THE FACTORY ATTACHMENT POINTS. REMOVE PLASTIC PLUGS TO INSTALL NEW RACK.

THIS RACK IS DESIGNED FOR AND RATED TO CARRY UP TO 24' EXTENSION LADDERS OR 115 LBS EVENLY DISTRIBUTED ON THE RACK. BE SURE ANY LOAD OR LADDER IS PROPERLY SECURED TO THE RACK PRIOR TO MOVING VEHICLE.

INSTALLATION OF THIS RACK DOES **NOT** ACCOMMODATE USE OF SUNROOF!!!

**NOTE : THIS RACK UTILIZES SPECIFIC STREET AND CURB SIDE ROOF RAILS!!!**

**Note:**

It is advised that all fasteners used in this assembly and installation of this Rack should be checked for tightness at the following intervals: @ 2-weeks and again @ 6-weeks of operation. This preventive maintenance step must be completed to ensure your package gives you long service life.



**2BPMC  
UTILITY RACK ASM  
FOR DODGE PROMASTER CITY CARGO VAN**

## - PRECAUTIONS -





 **CAUTION**   
**THE USE OF AIR IMPACT TOOLS CAN  
OVER-TORQUE FASTENERS AND  
CAUSE FASTENER FAILURE!**



 **CAUTION**   
**ALL INSTALLATION HOLES SHOULD BE SEALED  
WITH SILICON OR BUTYL SEALANT TO PREVENT  
EXHAUST FUMES FROM ENTERING THE VEHICLE!**



 **DANGER**   
**INSPECT FOR FUEL TANK, FUEL LINES, BRAKE LINES, HIGH  
VOLTAGE BATTERIES AND ELECTRICAL LINES PRIOR TO  
DRILLING TO AVOID DAMAGING CRITICAL VEHICLE SYSTEMS  
OR INJURY TO INSTALLER DURING INSTALLATION PROCESS!**



 **CAUTION**   
**TO AVOID DAMAGING THE VEHICLE ALWAYS  
USE DRILL STOPS WHEN DRILLING ANY IN-  
STALLATION HOLES!**



## - IMPORTANT WARRANTY REQUIREMENTS -

1. SUBSTITUTING ADRIAN STEEL SPECIFIED FASTENERS FOR ASSEMBLY AND/OR INSTALLATION WILL VOID YOUR PRODUCT WARRANTY.
2. ALL HOLES DRILLED INTO VEHICLE SHOULD HAVE THE RAW METAL EDGES SEALED WITH A SELF-ETCHING PRIMER TO RESIST CORROSION AND POTENTIAL FASTENER POINT FAILURE.
3. ALL FASTENERS USED IN THE INSTALLATION OF THIS PRODUCT SHOULD BE TIGHTENED TO THE TORQUE(S) SPECIFIED IN THESE INSTRUCTIONS.
4. THESE INSTRUCTIONS SHOULD BE KEPT WITH THE VEHICLE.

### THE BASIC TOOLS NEEDED FOR MOST INSTALLATIONS



DRILL



DRILL BIT WITH  
STOP



RATCHET, SOCKETS  
AND/OR WRENCHES



SCREWDRIVERS

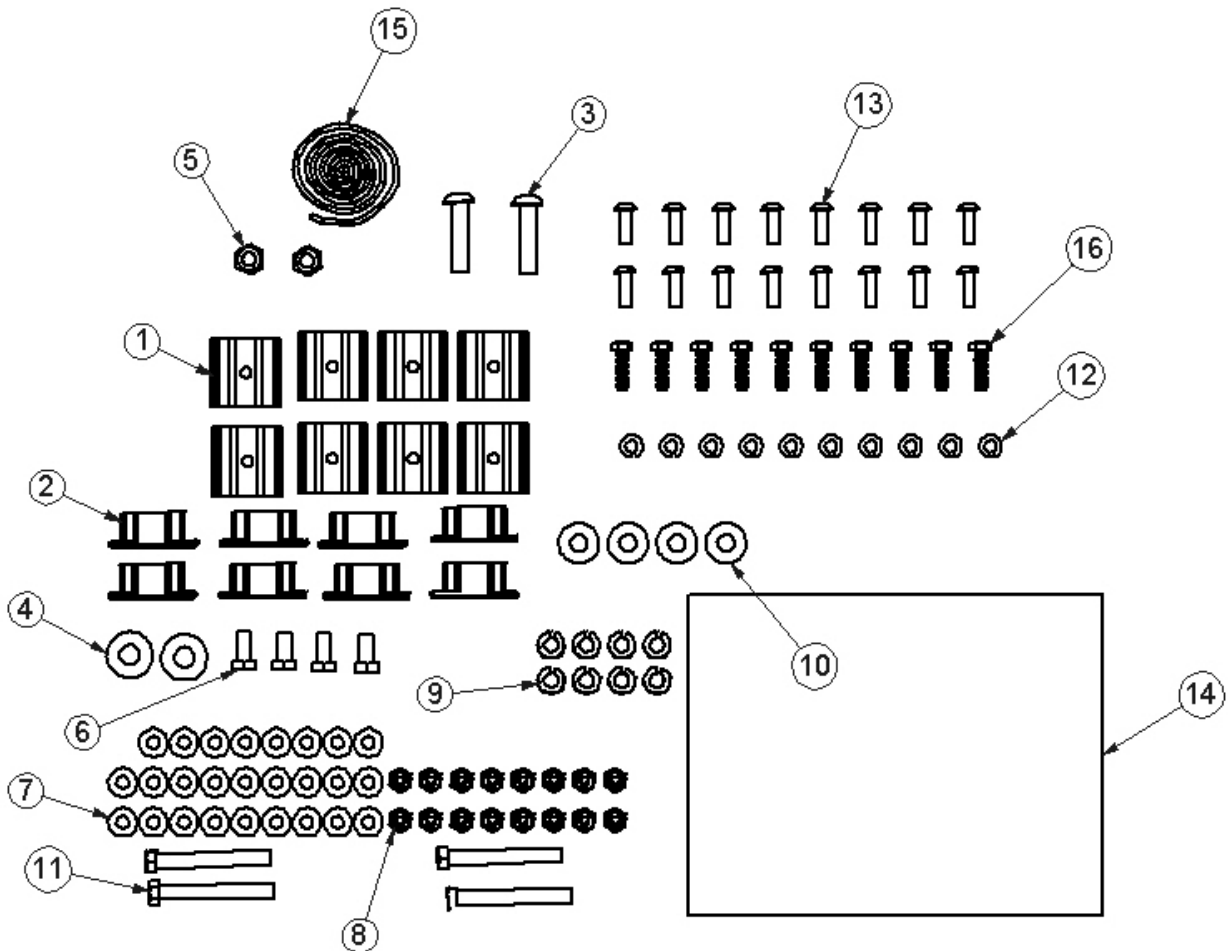


MEASURING TAPE

ADDITIONAL TOOLS MAY BE NEEDED FOR THIS INSTALLATION AND THEY WILL BE IDENTIFIED IN THE STEPS THAT FOLLOW.

**BAG2BPMC  
FASTENER BAG FOR 2BPMC UTILITY RACK**

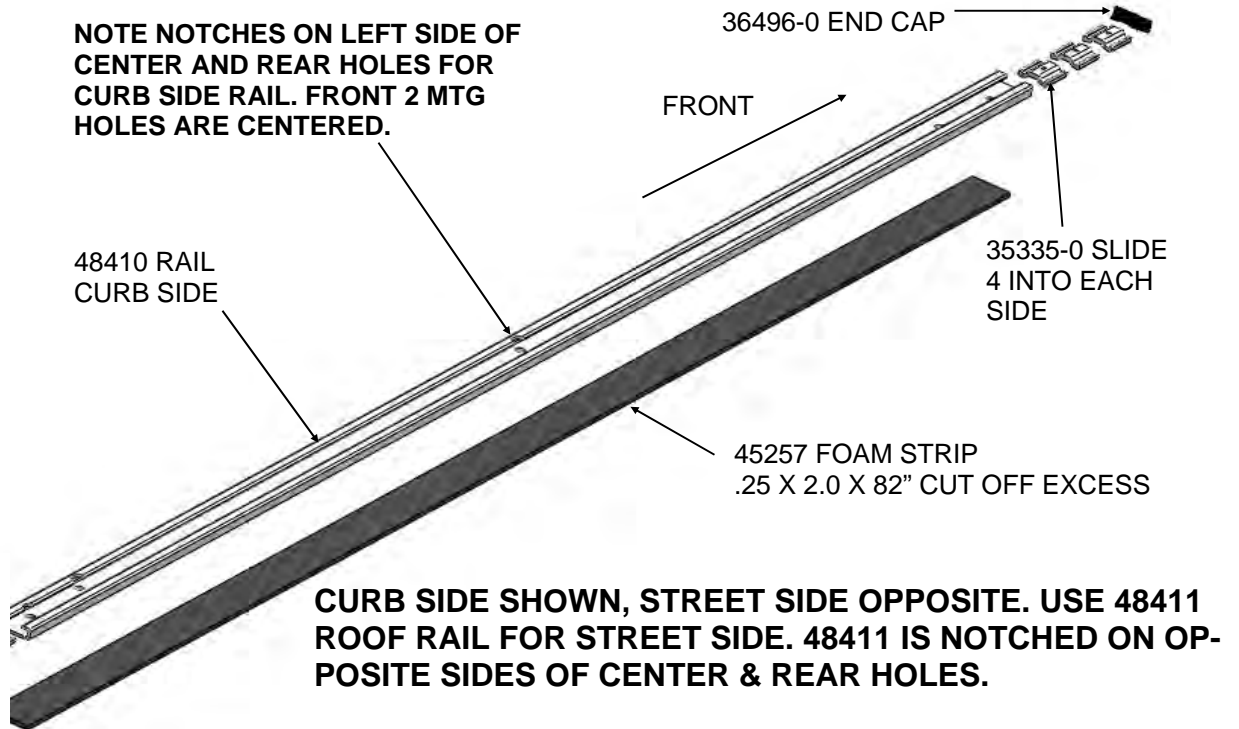
ITEM NO.	PART NUMBER	DESCRIPTION	QTY.
1	35335-0	SLIDE	8
2	36496-0	END CAP	8
3	FAS0577	Screw, Button Hd Hex Soc, 3/8-16x1.50 NI-ZN	2
4	FAS 0720	Washer,Flat 3/8 SS	2
5	FAS0110	Nut,Hex Nylok 3/8-16 SS W	2
6	FAS0717	Screw, Hex Hd, 5/16-18x.625 SST	4
7	FAS0234	Washer, Flat, 1/4, SST	26
8	FAS0125	Nut, Nylon Insert Lock, 1/4-20 SST	16
9	FAS0588	Washer, Lock, Split, 5/16, SS	8
10	FAS0552	Washer, Flat, 5/16, SST	4
11	FAS0243	Screw, Hex Hd, 5/16-18x2.50 Stainless Steel	4
12	FAS0672	Washer, Lock, Split, 1/4", SST	10
13	FAS0576	Screw, Button Hd Hex Soc, 1/4-20x0.75 SS	16
14	BAG0709-A	7" x 9" 3MIL AUTOBAG	1
15	05586-0	Butyl Tape, T224 -1/2"X 2' Roll	1
16	FAS0187	SCR,HH,M6-1.0X22	10



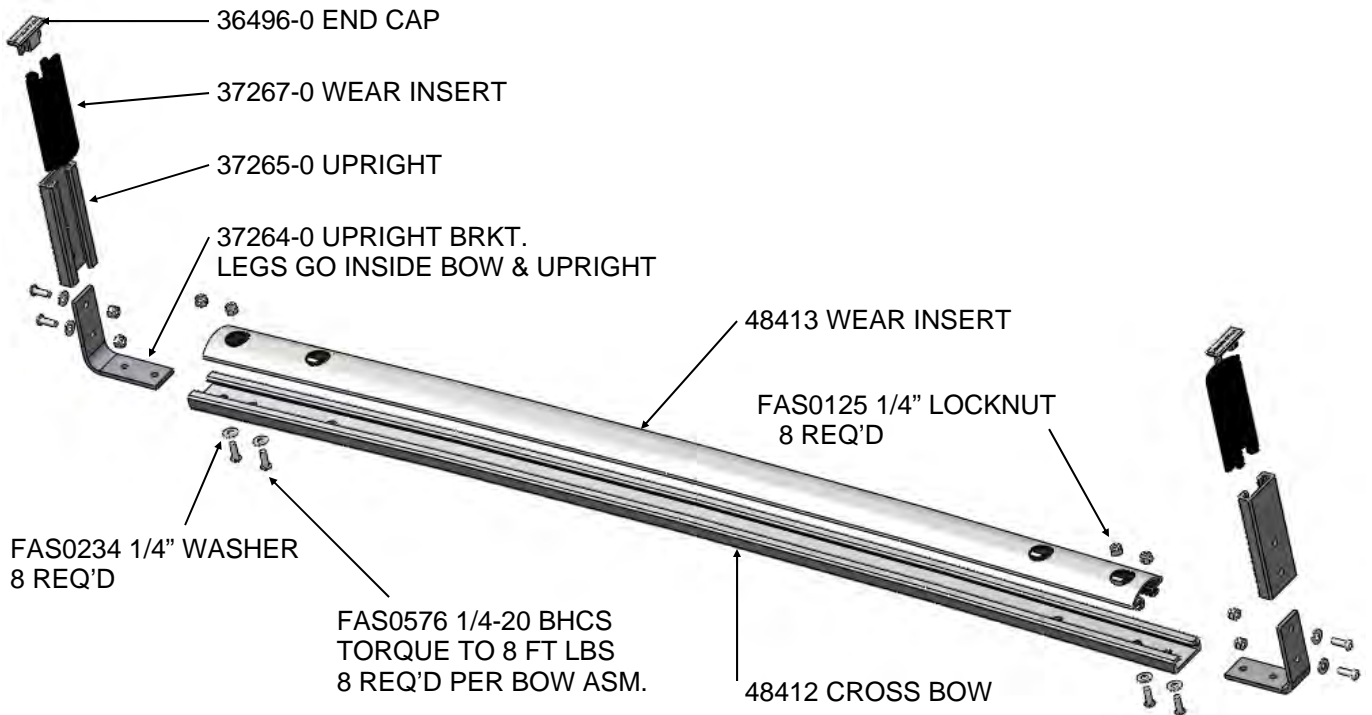


**STEP #01: ASSEMBLE ROOF RAILS NOTE DIFFERENCES IN STREET AND CURB SIDE ROOF RAILS!!!**

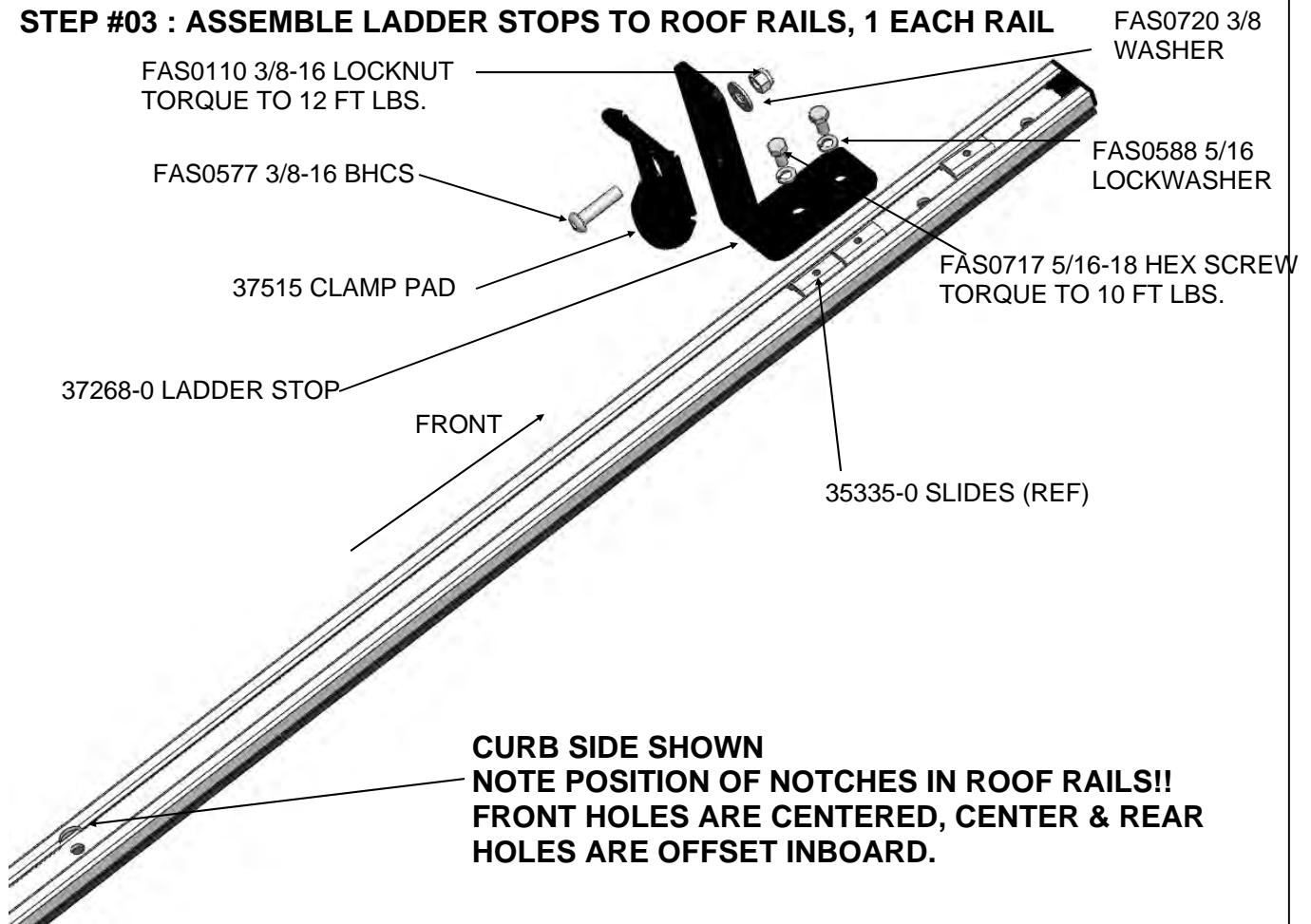
**INSERT (4) 35335-0 SLIDES INTO EACH ROOF RAIL AND (1) 36496-0 END CAP INTO EACH END (4 TOTAL). PEEL AND STICK FOAM STRIP TO BOTTOM OF EACH RAIL.**



**STEP #02 : ASSEMBLE 2 CROSS BOW ASMs.**

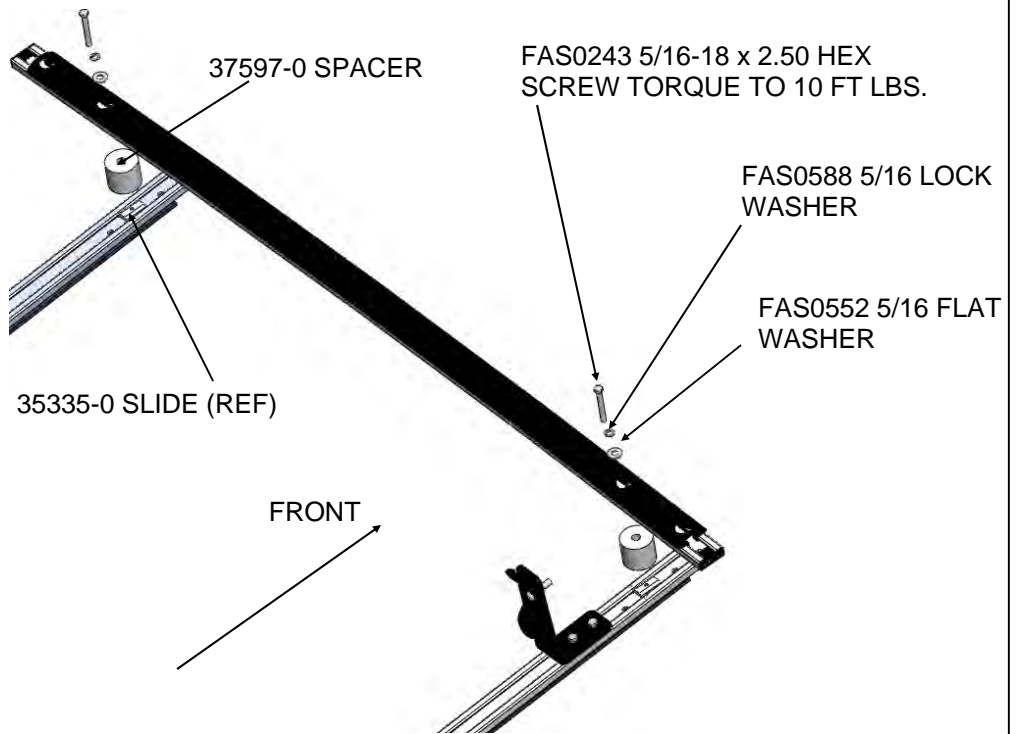


**STEP #03 : ASSEMBLE LADDER STOPS TO ROOF RAILS, 1 EACH RAIL**



**STEP #04 : ASSEMBLE BOW ASMS TO ROOF RAILS**

**FRONT SHOWN. REAR ASSEMBLY SAME AS FRONT. POSITION FRONT BOW AS SHOWN, CENTERED BETWEEN FRONT MTG HOLES. REAR BOW POSITION WILL BE DETERMINED BY THE OUTER RAIL. SEE NEXT STEP. IF USING CENTER BOW KIT, POSITION FRT BOW REARWARD OF BOTH MTG POINTS AND REAR BOW BETWEEN REAR MTG POINTS.**





**STEP #07 ASSEMBLE RACK TO VEHICLE**

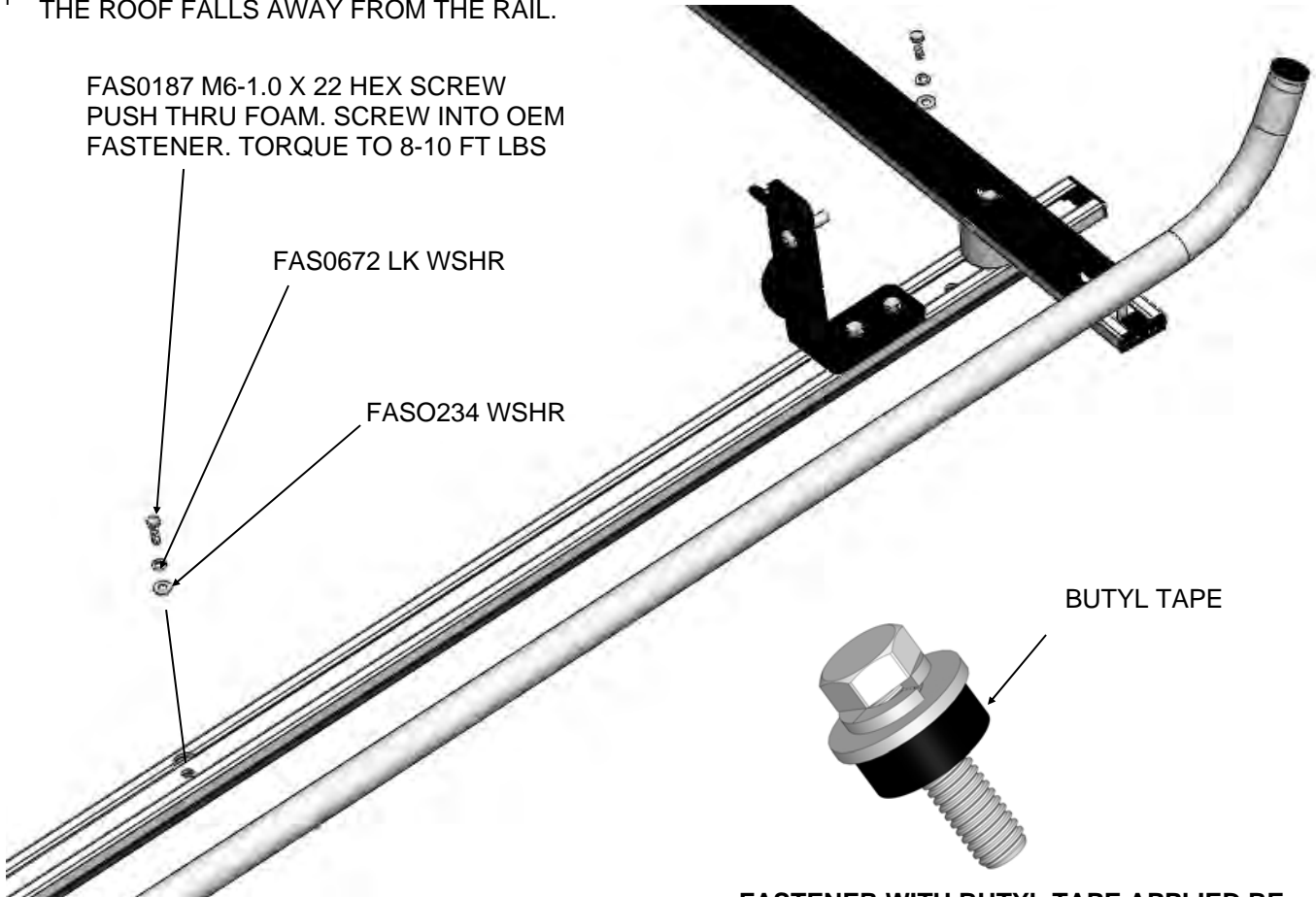
REMOVE OEM PLASTIC PLUGS (10) FROM ROOF. THESE ARE THE ATTACHMENT POINTS FOR THE RACK. POSITION THE RACK ON ROOF AND SCREW THE FAS0187 SCREWS INTO THE OEM FASTENERS IN ROOF AFTER APPLYING SOME BUTYL TAPE UNDER WASHERS (SEE VIEW BELOW). TORQUE AS SHOWN. FASTENERS SHOWN BELOW ARE TYPICAL AT ALL 10 ATTACHMENT POINTS. FOR BEST RESULTS, WORK FROM THE CENTER TOWARDS THE FRONT AND THEN TO THE REAR. YOU WILL NEED TO PULL THE RAIL DOWN TO THE ROOF TO GET SCREWS STARTED WHERE THE ROOF FALLS AWAY FROM THE RAIL.

FAS0187 M6-1.0 X 22 HEX SCREW  
PUSH THRU FOAM. SCREW INTO OEM  
FASTENER. TORQUE TO 8-10 FT LBS

FAS0672 LK WSHR

FAS0234 WSHR

BUTYL TAPE



**FASTENER WITH BUTYL TAPE APPLIED BELOW WASHERS. USE ENOUGH TO FILL HOLE IN ROOF RAIL WHEN INSTALLED.**



**DOUBLE-CHECK ALL FASTENER LOCATIONS TO BE SURE THAT ALL FASTENERS ARE TIGHTENED TO SPECIFICATIONS!**

