



PRODUCT WEIGHT

26 Lbs

WIDTH x DEPTH x HEIGHT

61" x 76" x 11"

CAPACITY

**24' Extension Ladders
Or 125 Lbs
See Below**

COLOR

Aluminum & Black

CATALOG NUMBER

2BNV2

PRODUCT FEATURES

LIGHTWEIGHT, ADJUSTABLE UTILITY RACK FOR NISSAN NV200 VAN. ALUMINUM CONSTRUCTION WITH COMPOSITE SURFACES TO PREVENT DAMAGE TO LADDERS OR CARGO, STAINLESS STEEL FASTENERS. NO DRILL INSTALLATION! ATTACHES TO FACTORY INSTALLED MOUNTING FASTENERS. THIS RACK CAN ACCOMMODATE 24' EXTENSION LADDERS WHEN OVERHUNG OFF THE REAR OF VEHICLE TO BALANCE LADDER ON RACK. CHECK YOUR STATE AND LOCAL DOT REGULATIONS.

SEE PAGE 2 FOR APPLICATION NOTES AND ACCESSORIES, OTHER PRODUCTS THAT WORK WITH THIS UNIT.

PAGE 1 of 2

The information contained in this document is the sole property of ADRIAN STEEL COMPANY. ADRIAN STEEL COMPANY retains the right to modify and/or change the product of its design at any time without prior notification.



CATALOG NUMBER 2BNV2

PRODUCT APPLICATION

THIS PRODUCT IS DESIGNED FOR THE NISSAN NV200 VAN.

ACCESSORIES THAT WILL WORK WITH THIS PRODUCT

CATALOG NUMBER

1BNV200GL

DESCRIPTION

**CENTER BOW ADD-ON KIT FOR
CARRYING SHORT LADDERS OR CARGO**

61TCSSUR

UPRIGHT KIT FOR 3RD BOW (ABOVE)

SPECIAL APPLICATION NOTES

Additional accessories may be compatible with this product. Please consult with ADRIAN STEEL ENGINEERING to review specific applications not listed here.

Introduction / Comments:

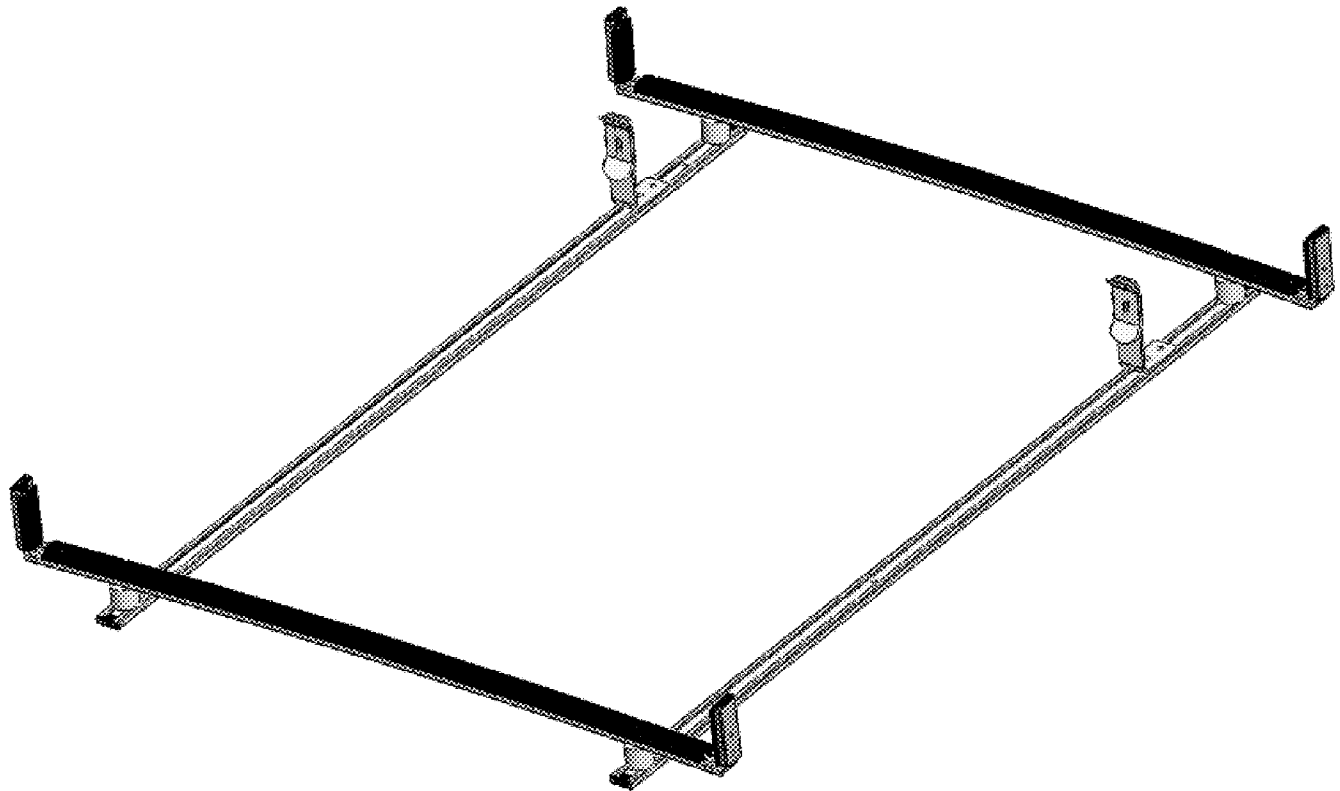
THIS UTILITY RACK IS DESIGNED TO MOUNT TO THE FACTORY ATTACHMENT POINTS. REMOVE PLASTIC PLUGS TO INSTALL NEW RACK.

THIS RACK IS DESIGNED FOR AND RATED TO CARRY UP TO 28' EXTENSION LADDERS OR 115 LBS EVENLY DISTRIBUTED ON THE RACK. BE SURE ANY LOAD OR LADDER IS PROPERLY SECURED TO THE RACK PRIOR TO MOVING VEHICLE. INSTALLATION OF THIS RACK DOES **NOT** ACCOMMODATE USE OF SUNROOF!!!

NOTE : THIS RACK UTILIZES SPECIFIC STREET AND CURB SIDE ROOF RAILS!!!

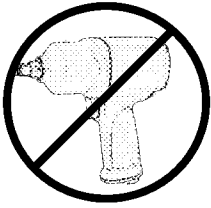
Note:

It is advised that all fasteners used in this assembly and installation of this Rack should be checked for tightness at the following intervals: @ 2-weeks and again @ 6-weeks of operation. This preventive maintenance step must be completed to ensure your package gives you long service life.

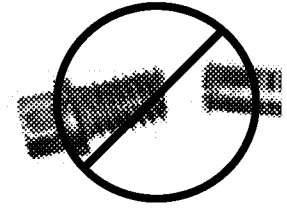


**2BNV2
UTILITY RACK ASM
FOR NISSAN NV200 VAN**

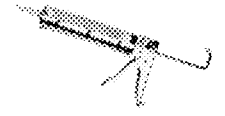
- PRECAUTIONS -



CAUTION
THE USE OF AIR IMPACT TOOLS CAN
OVER-TORQUE FASTENERS AND
CAUSE FASTENER FAILURE!



CAUTION
ALL INSTALLATION HOLES SHOULD BE SEALED
WITH SILICON OR BUTYL SEALANT TO PREVENT
EXHAUST FUMES FROM ENTERING THE VEHICLE!



DANGER
INSPECT FOR FUEL TANK, FUEL LINES, BRAKE LINES, HIGH
VOLTAGE BATTERIES AND ELECTRICAL LINES PRIOR TO
DRILLING TO AVOID DAMAGING CRITICAL VEHICLE SYSTEMS
OR INJURY TO INSTALLER DURING INSTALLATION PROCESS!



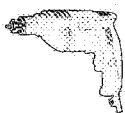
CAUTION
TO AVOID DAMAGING THE VEHICLE ALWAYS
USE DRILL STOPS WHEN DRILLING ANY IN-
STALLATION HOLES!



- IMPORTANT WARRANTY REQUIREMENTS -

1. SUBSTITUTING ADRIAN STEEL SPECIFIED FASTENERS FOR ASSEMBLY AND/OR INSTALLATION WILL VOID YOUR PRODUCT WARRANTY.
2. ALL HOLES DRILLED INTO VEHICLE SHOULD HAVE THE RAW METAL EDGES SEALED WITH A SELF-ETCHING PRIMER TO RESIST CORROSION AND POTENTIAL FASTENER POINT FAILURE.
3. ALL FASTENERS USED IN THE INSTALLATION OF THIS PRODUCT SHOULD BE TIGHTENED TO THE TORQUE(S) SPECIFIED IN THESE INSTRUCTIONS.
4. THESE INSTRUCTIONS SHOULD BE KEPT WITH THE VEHICLE.

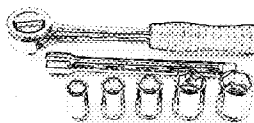
THE BASIC TOOLS NEEDED FOR MOST INSTALLATIONS



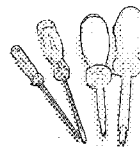
DRILL



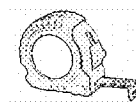
DRILL BIT WITH
STOP



RATCHET, SOCKETS
AND/OR WRENCHES



SCREWDRIVERS

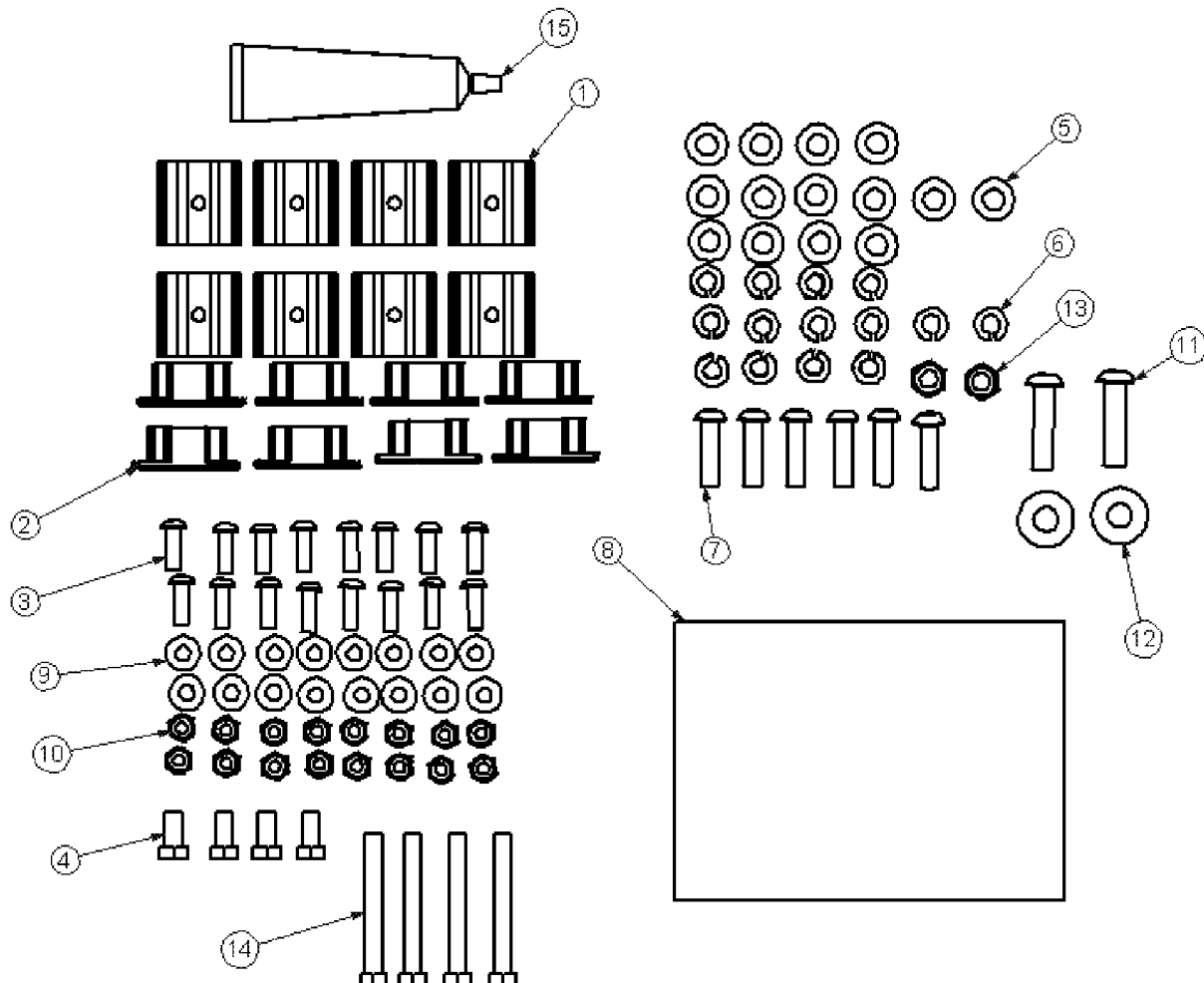


MEASURING TAPE

ADDITIONAL TOOLS MAY BE NEEDED FOR THIS INSTALLATION AND THEY WILL BE IDENTIFIED IN THE STEPS THAT FOLLOW.

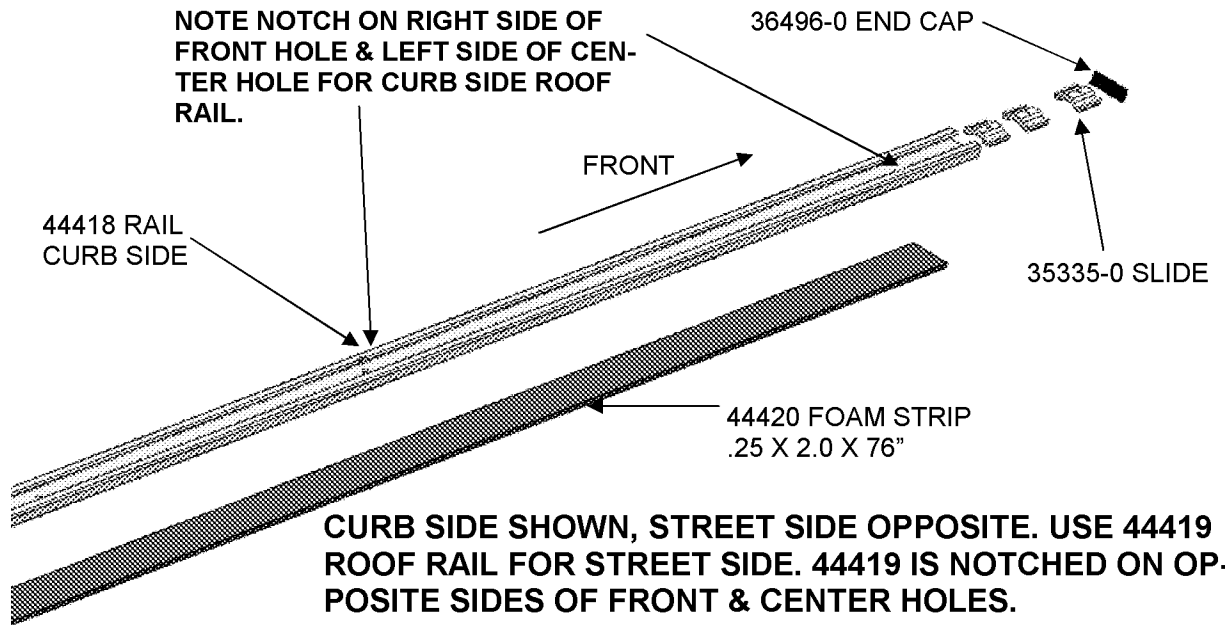
**BAG2BNV2
FASTENER BAG FOR 2BNV2 UTILITY RACK**

ITEM NO.	PART NUMBER	DESCRIPTION	QTY.
1	35335-0	SLIDE	8
2	36496-0	END CAP	8
3	FAS0576	Screw, Button Hd Hex Soc, 1/4-20x0.75 SS	16
4	FAS0717	Screw, Hex Hd, 5/16-18x.625 SST	4
5	FAS0552	Washer, Flat, 5/16, SST	14
6	FAS0588	Washer, Lock, Split, 5/16, SS	14
7	FAS0727	Screw, Button Hd Hex Soc, M8-1.25 X 30	6
8	BAG0507-A	5" x 7" 3MIL AUTOBAG	1
9	FAS0234	Washer, Flat, 1/4, SST	16
10	FAS0125	Nut, Nylon Insert Lock, 1/4-20 SST	16
11	FAS0577	Screw, Button Hd Hex Soc, 3/8-16x1.50 NI-ZN	2
12	FAS 0720	Washer, Flat 3/8 SS	2
13	FAS0110	Nut, Hex Nylk 3/8-16 SS W	2
14	FAS0243	Screw, Hex Hd, 5/16-18x2.50 Stainless Steel	4
15	26618-0	Silicone Sealant	1



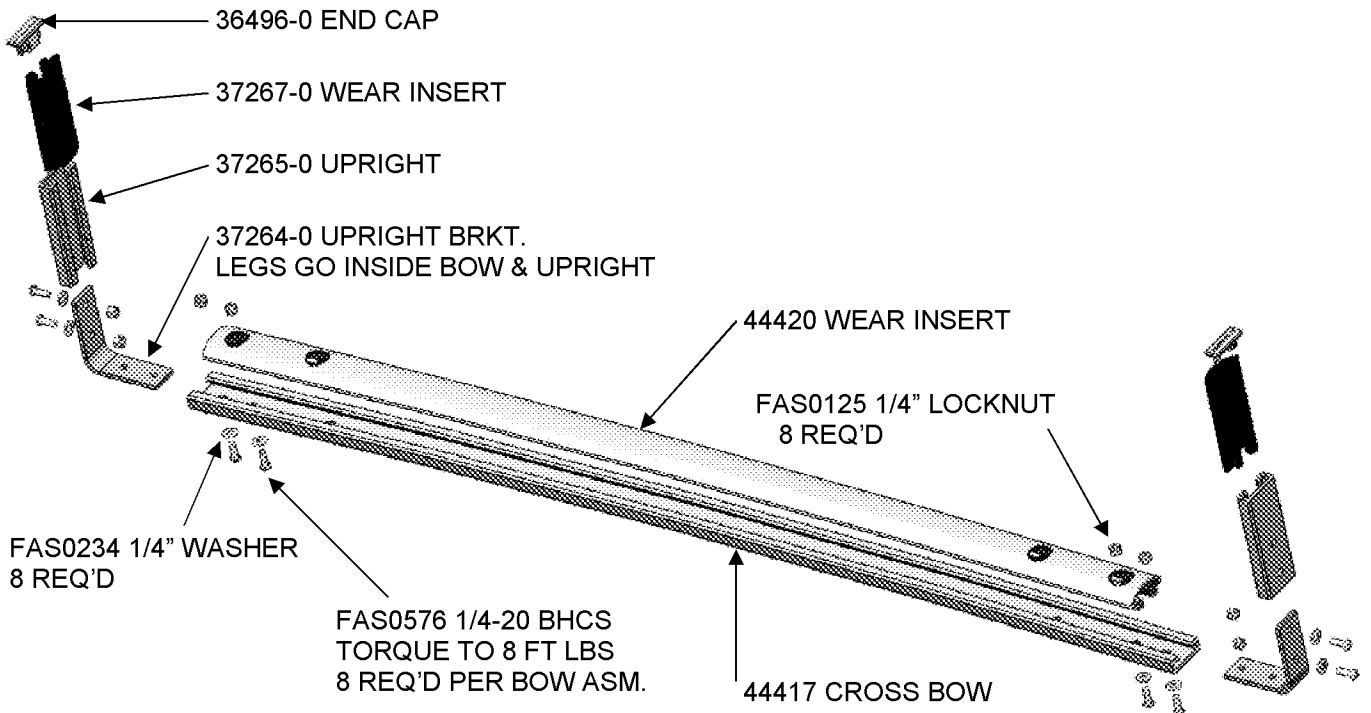
STEP #01: ASSEMBLE ROOF RAILS NOTE DIFFERENCES IN STREET AND CURB SIDE ROOF RAILS!!!

INSERT (4) 35335-0 SLIDES INTO EACH ROOF RAIL AND (1) 36496-0 END CAP INTO EACH END (4 TOTAL). PEEL AND STICK FOAM STRIP TO BOTTOM OF EACH RAIL.

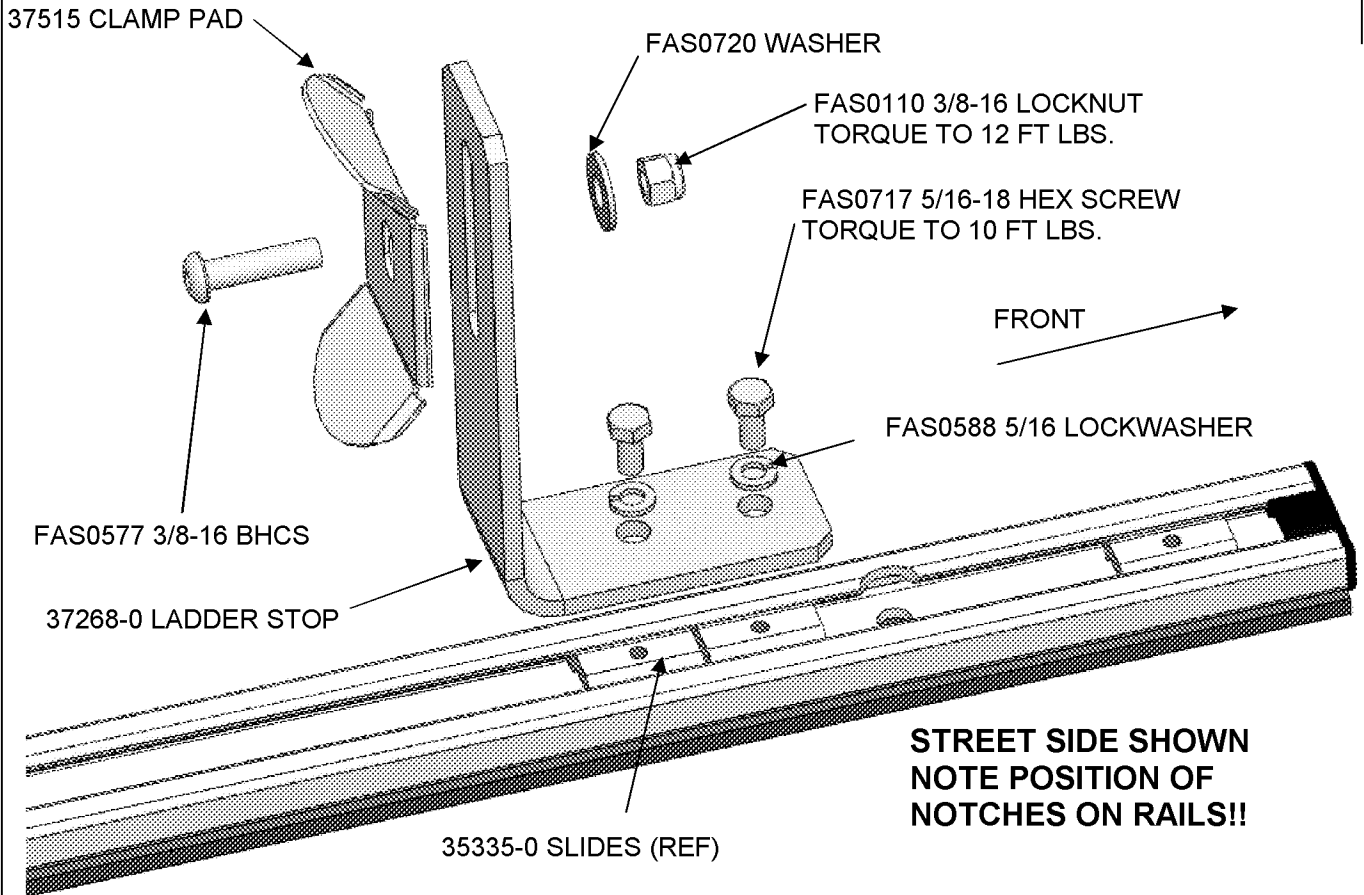


STEP #02 : ASSEMBLE 2 CROSS BOW ASMs.

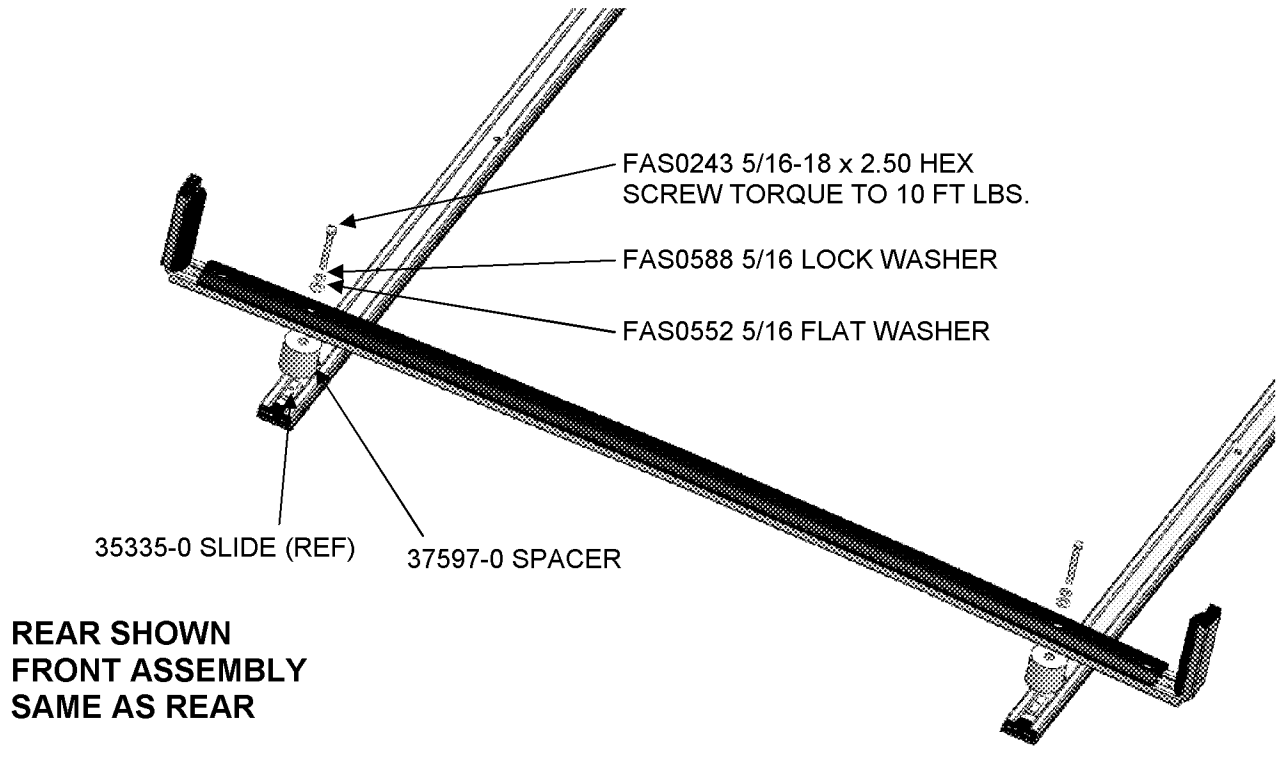
SLIDE WEAR INSERT INTO CROSS BOW UNTIL INNER HOLES LINE UP ON EACH END. ASSEMBLE UPRIGHTS TO EACH END AS SHOWN.



STEP #03 : ASSEMBLE LADDER STOPS TO ROOF RAILS, 1 EACH RAIL

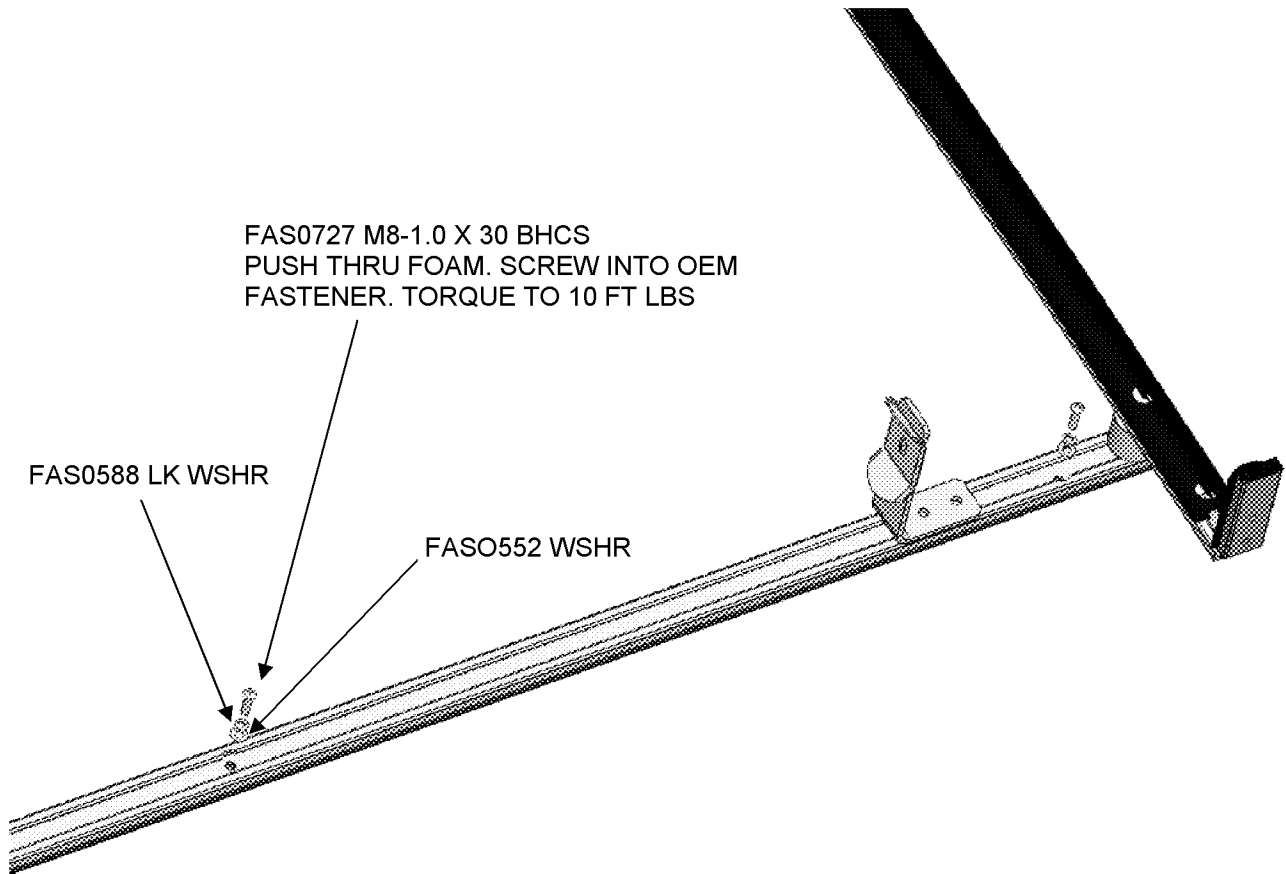


STEP #04 : ASSEMBLE BOW ASMS TO ROOF RAILS



STEP #07 ASSEMBLE GRIP-LOCK RACK TO VEHICLE

REMOVE OEM PLASTIC PLUGS (6) FROM ROOF. THESE ARE THE ATTACHMENT POINTS FOR THE RACK. POSITION THE RACK ON ROOF AND SCREW THE FAS0727 SCREWS INTO THE OEM WELD-NUTS IN ROOF STRUCTURE AFTER APPLYING SOME SILICONE SEALANT TO THE THREADS. TORQUE AS SHOWN USING 5MM ALLEN WRENCH. FASTENERS SHOWN BELOW ARE TYPICAL AT ALL 6 ATTACHMENT POINTS.



**DOUBLE-CHECK ALL FASTENER LOCATIONS TO
BE SURE THAT ALL FASTENERS ARE TIGHTENED
TO SPECIFICATIONS!**

