

## 2BARRPM2 -B/-W



**PRODUCT WEIGHT**  
40 LBS

**WIDTH x DEPTH x HEIGHT**  
79" x 105.7 x 13 1/2"

**CAPACITY**  
32" EXT LDRS OR 380 LBS

**COLOR**  
BLACK / WHITE

**CATALOG NUMBER**  
2BARRPM2 -B/-W

### **PRODUCT FEATURES**

**2 BAR UTILITY RACK WITH ROLLER ASM FOR PROMASTER STD ROOF VANS. WILL FIT BOTH SHORT AND LONG WHEELBASES. FRONT AND CENTER CROSSBAR LOCATIONS ARE ADJUSTABLE.**

**LONG LOADS & LADDERS MAY NOT OVERHANG FRONT CROSSBAR BY MORE THAN 7'**

**SEE PAGE 2 FOR APPLICATION NOTES AND ACCESSORIES, OTHER PRODUCTS THAT WORK WITH THIS UNIT.**



**CATALOG NUMBER** 2BBARPM2 -B/-W

***PRODUCT APPLICATION***

THIS PRODUCT IS DESIGNED FOR THE RAM PROMASTER STD ROOF VAN. WILL FIT BOTH AVAILABLE WHEELBASES

***ACCESSORIES THAT WILL WORK WITH THIS PRODUCT***

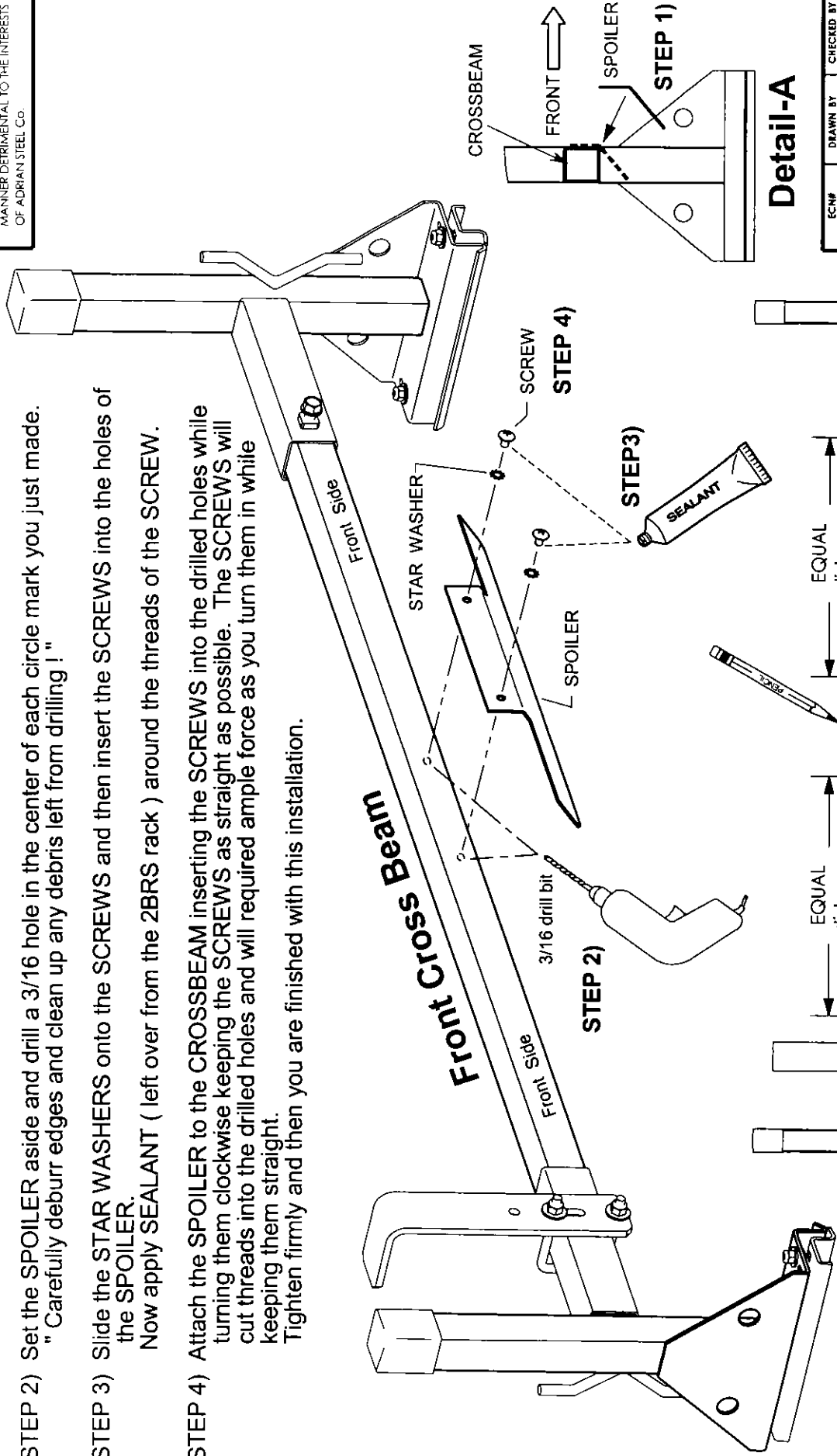
**CATALOG NUMBER**

**DESCRIPTION**

***SPECIAL APPLICATION NOTES***

# INSTALLATION STEPS:

- STEP 1)** Fit the SPOILER up to the front side of the Front Cross Beam on your 2BRS as shown below in Detail-A then "center" the SPOILER side to side ( see Detail-B ). Now use a pencil to mark circles on the Front Cross Beam using the holes in the SPOILER ( see Detail-B ).
- STEP 2)** Set the SPOILER aside and drill a 3/16 hole in the center of each circle mark you just made. " Carefully deburr edges and clean up any debris left from drilling ! "
- STEP 3)** Slide the STAR WASHERS onto the SCREWS and then insert the SCREWS into the holes of the SPOILER. Now apply SEALANT ( left over from the 2BRS rack ) around the threads of the SCREW.
- STEP 4)** Attach the SPOILER to the CROSSBEAM inserting the SCREWS into the drilled holes while turning them clockwise keeping the SCREWS as straight as possible. The SCREWS will cut threads into the drilled holes and will required ample force as you turn them in while keeping them straight. Tighten firmly and then you are finished with this installation.



906 JAMES ST.  
ADRIAN, MI. 49221  
(517) 265-6194

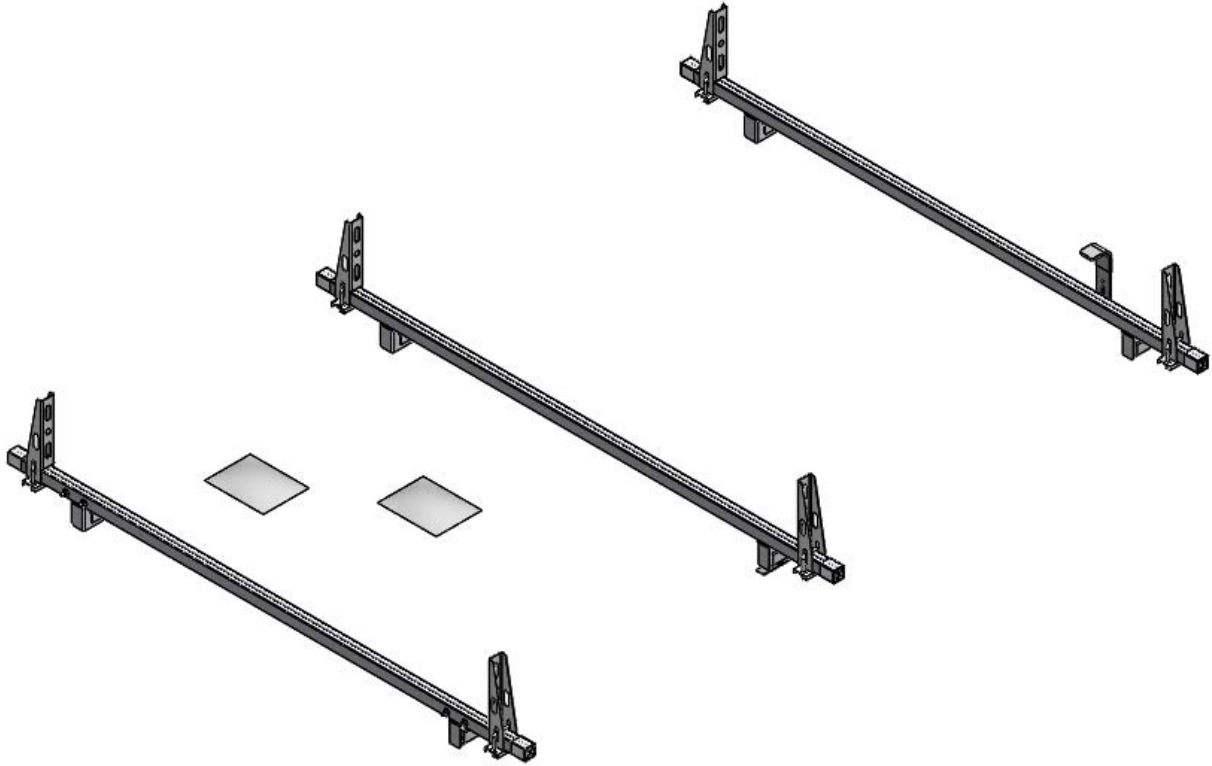
**THIS DRAWING IS THE PROPERTY OF  
ADRIAN STEEL CO.**

THIS DRAWING IS NOT TO BE USED IN ANY  
MANNER DETRIMENTAL TO THE INTERESTS  
OF ADRIAN STEEL CO.

ECMP	DRAWN BY	CHECKED BY
7532	KAS	RL
DATE: 8 / 18 / 04		
<b>INSTALL INSTRUCTIONS</b>		
WD2 KIT ( 2BRS racks )		
Print Number	Issue	
<b>29814-0</b>	<b>A</b>	



## Assembly/Installation Instructions and Owners Manual



**3BPM-W SHOWN**

**3BPM-B, -W and 2BPM-B, -W  
Utility Racks for Dodge ProMaster Std Roof Vans**

## - PRECAUTIONS -





 **CAUTION**   
**THE USE AIR IMPACT TOOLS CAN  
OVER-TORQUE FASTENERS AND  
CAUSE FASTENER FAILURE!**



 **CAUTION**   
**ALL INSTALLATION HOLES SHOULD BE SEALED  
WITH SILICON OR BUTYL SEALANT TO PREVENT  
EXHAUST FUMES FROM ENTERING THE VEHICLE!**



 **DANGER**   
**INSPECT FOR FUEL TANK, FUEL LINES, BRAKE LINES, HIGH  
VOLTAGE BATTERIES AND ELECTRICAL LINES PRIOR TO  
DRILLING TO AVOID DAMAGING CRITICAL VEHICLE SYSTEMS  
OR INJURY TO INSTALLER DURING INSTALLATION PROCESS!**



 **CAUTION**   
**TO AVOID DAMAGING THE VEHICLE ALWAYS  
USE DRILL STOPS WHEN DRILLING ANY IN-  
STALLATION HOLES!**



## - IMPORTANT WARRANTY REQUIREMENTS -

1. SUBSTITUTING ADRIAN STEEL SPECIFIED FASTENERS FOR ASSEMBLY AND/OR INSTALLATION WILL VOID YOUR PRODUCT WARRANTY.
2. ALL HOLES DRILLED INTO VEHICLE SHOULD HAVE THE RAW METAL EDGES SEALED WITH A SELF-ETCHING PRIMER TO RESIST CORROSION AND POTENTIAL FASTENER POINT FAILURE.
3. ALL FASTENERS USED IN THE INSTALLATION OF THIS PRODUCT SHOULD BE TIGHTENED TO THE TORQUE(S) SPECIFIED IN THESE INSTRUCTIONS.
4. THESE INSTRUCTIONS SHOULD BE KEPT WITH THE VEHICLE.

### THE BASIC TOOLS NEEDED FOR MOST INSTALLATIONS



DRILL



DRILL BIT WITH  
STOP



RATCHET, SOCKETS  
AND/OR WRENCHES



SCREWDRIVERS



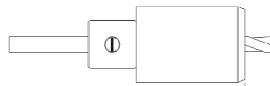


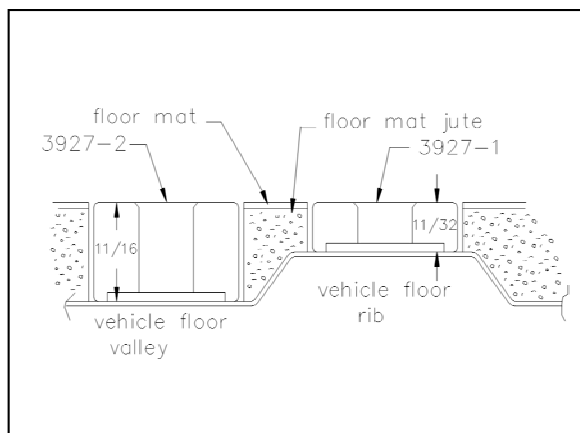
MEASURING TAPE

ADDITIONAL TOOLS MAY BE NEEDED FOR THIS INSTALLATION AND THEY WILL BE IDENTIFIED IN THE STEPS THAT FOLLOW.



**WHEN INSTALLING PLUSNUTS MAKE SURE YOU USE THE CORRECT DRILL BIT WITH A STOP!**

PLUSNUT SIZE	DRILL BIT SIZE
1/4-20 PLUSNUT, FAS0052	USE A 3/8" DIAMETER DRILL BIT WITH A STOP.
5/16-18 PLUSNUT, FAS0091	USE A 1/2" DIAMETER DRILL BIT WITH A STOP.
 OR  NOTE: A PLUSNUT SETTING TOOL IS REQUIRED FOR PLUSNUT INSTALLATION AND IS NOT SUPPLIED WITH THIS KIT. ORDER PLUSNUT TOOLS FROM ADRIAN STEEL (P.N. 22200-0) OR USE AN AIR POWERED PLUSNUT SETTING GUN.	
NOTE: If your vehicle contains carpet or a rubber floor mat you will need to prepare the mounting locations using a 1-3/16" carpet cutter.	1-3/16" DIAMETER CARPET CUTTER P.N. 31183-0. 

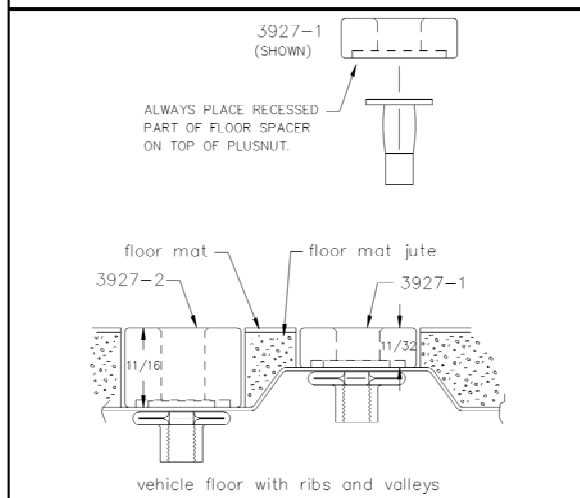


**Step 01**  
**Optional**

If your vehicle contains carpet or a rubber floor mat you will need to prepare the mounting locations. **(if not, skip to STEP 02)**

Position the product to be installed into the vehicle and once you are satisfied with the mounting locations, mark the mounting locations. Using a 1-3/16" diameter carpet cutter. Select the appropriate floor spacers as shown in the illustration to the left. Set those aside for use later into the installation process.

Once you have prepared the carpet/floor mat for

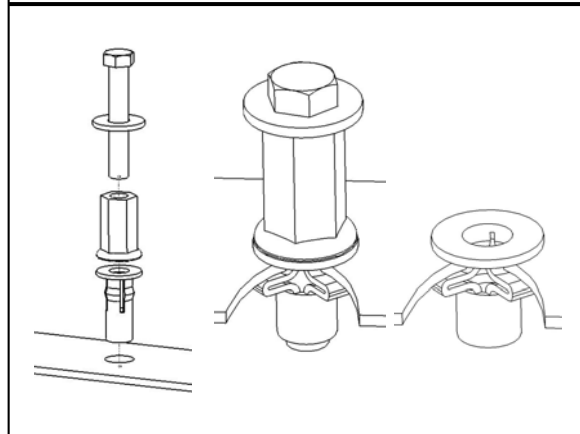


**Step 02**  
**Prepare Mounting Locations**

Using a drill and drill bit (see table at top of page for correct size) drill the mounting holes in the vehicle sheet metal to prepare for installing the plusnuts.

If you are thru-bolting at any of the locations simply drill a hole that is 1/16" larger than the bolt size(s) for those locations.

Once you have drilled the holes into the vehicle, the raw metal edges should be sealed using a self-etching primer to resist corrosion and potential fastener point failure.



**Step 03**  
**Setting Plusnuts**

Use a Air Powered Plusnut Setting Gun to "set the plusnut" or if installing manually with hand tools, assembly the following.







**1/4-20UNC Plusnut (FAS0052)**  
FAS0080 SCREW, HXHD, 1/4-20UNCx2.00, G8  
FAS0067 WASHER, FLAT, 1/4"ID  
22200-0 PLUSNUT TOOL

**5/16-18UNC Plusnut (FAS0091)**  
FAS0095 SCREW, HXHD, 5/16-18UNCx2.00", G8  
FAS0086 WASHER, FLAT, 5/16"ID  
22200-0 PLUSNUT TOOL

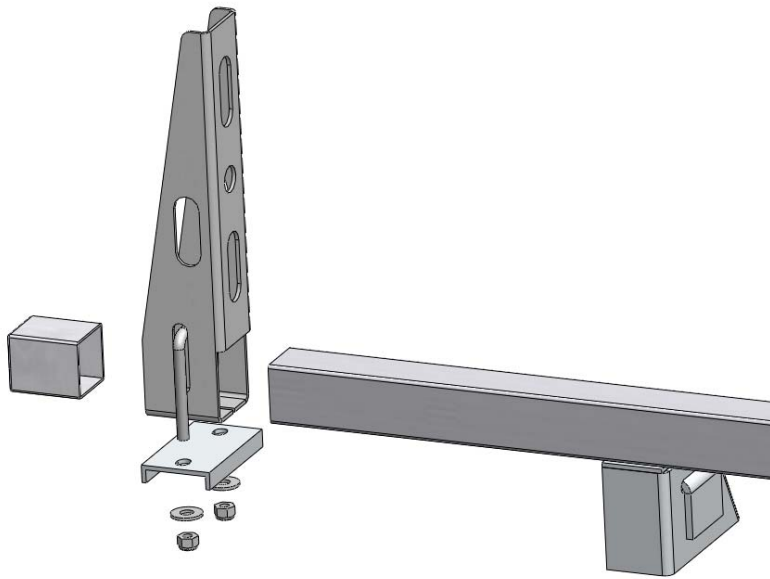
Place barrel of the plusnut body in sheet metal thru hole until flange is flush with sheet metal.

Using a 9/16" combination wrench of plusnut tool body and a second hand wrench, ratchet, or air tool, rotate the hex bolt head CW to draw plus nut flanges up (set the plusnut).





Remove hex bolt, washer, and plusnut. Inspect installation.

<b>PARTS YOU WILL USE FOR</b>  <b>STEP 01</b>	CROSSBAR ASM. (1) REQUIRED	UPRIGHT (2) REQ'D PER BAR	BOLT PLATE (2) REQ'D PER BAR	FAS0598 U-BOLT (2) REQ'D PER BAR
				
	FAS0248 5/16-18 LOCK-NUT (4) REQ'D PER BAR	FAS0552 5/16 FLAT WASHER (4) REQ'D PER BAR	48939 BLUE VINYL COVER (2) REQ'D PER BAR	
				

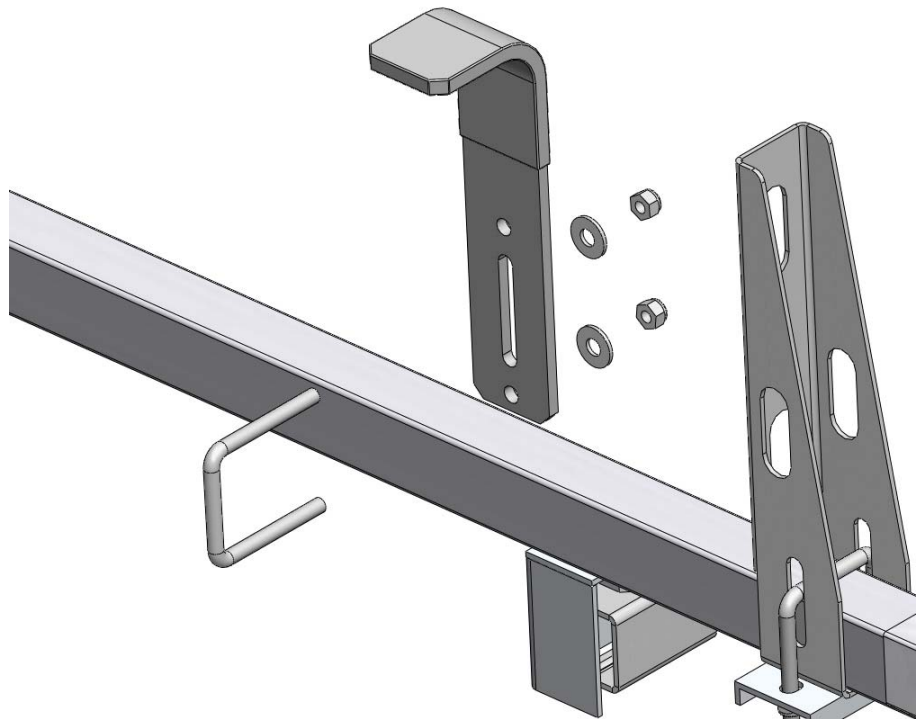
# Instructions for Step 01



INSERT U-BOLT INTO UPRIGHT AND SLIDE ONTO BAR. PLACE BOLT PLATE ONTO U-BOLT AND INSTALL FLAT WASHERS AND LOCKNUTS. TIGHTEN TO 12 FT.LBS. TORQUE. PLACE BLUE COVER OVER END OF BAR AND SLIDE COMPLETELY ON. COVER MAY HAVE TO BE WARMED IF COLD AS IT IS A STRETCH FIT ONTO BAR. REPEAT ON ALL ENDS OF ALL CROSSBARS.

<b>PARTS YOU WILL USE FOR</b>  <b>STEP 02</b>	<b>LADDER STOP (1) REQUIRED</b>	<b>FAS0598 U-BOLT (1) REQUIRED</b>	<b>FAS0248 5/16-18 LOCK-NUT (2) REQUIRED</b>	<b>FAS0552 5/16 FLAT WASHER (2) REQUIRED</b>
				

## Instructions for Step 02



THIS STEP APPLIES TO 2 AND 3 BAR RACKS ONLY.

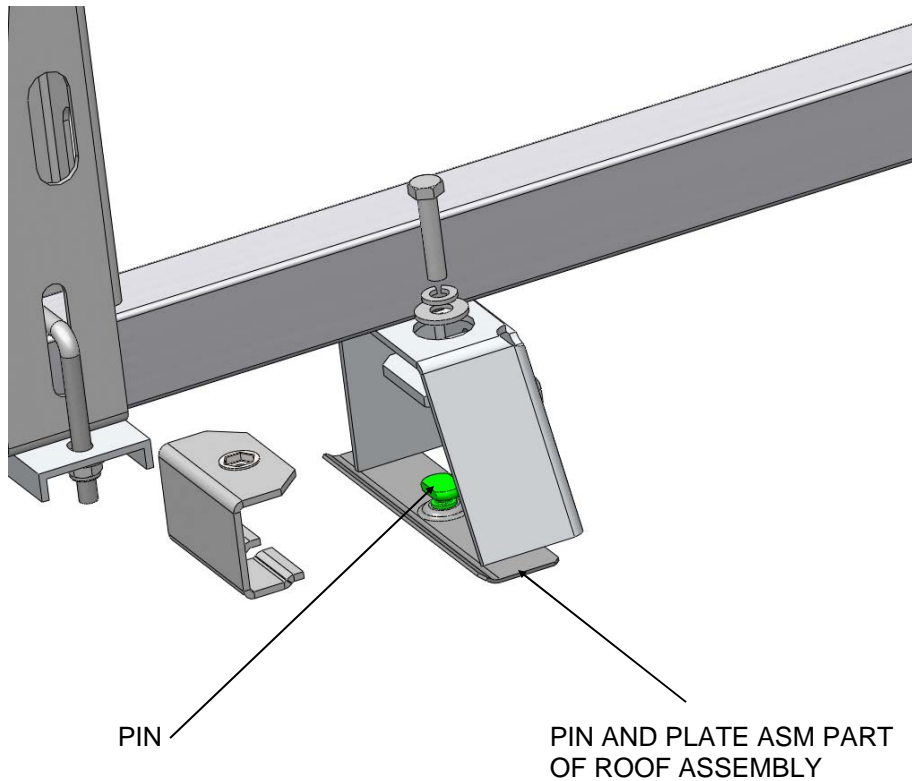
ADDITIONAL LADDER STOPS ARE AVAILABLE THROUGH YOUR DISTRIBUTOR.

IF DESIRED, ATTACH LADDER STOP TO FRONT CROSSBAR USING U-BOLT, FLAT WASHERS AND LOCKNUTS AS SHOWN. LOCATION AND HEIGHT ARE ADJUSTABLE. TORQUE NUTS TO 12 FT.LBS. **NOTE :** **REAR CROSSBAR HAS HOLES NEAR FEET FOR ATTACHMENT OF REAR ROLLER ASM!!!**



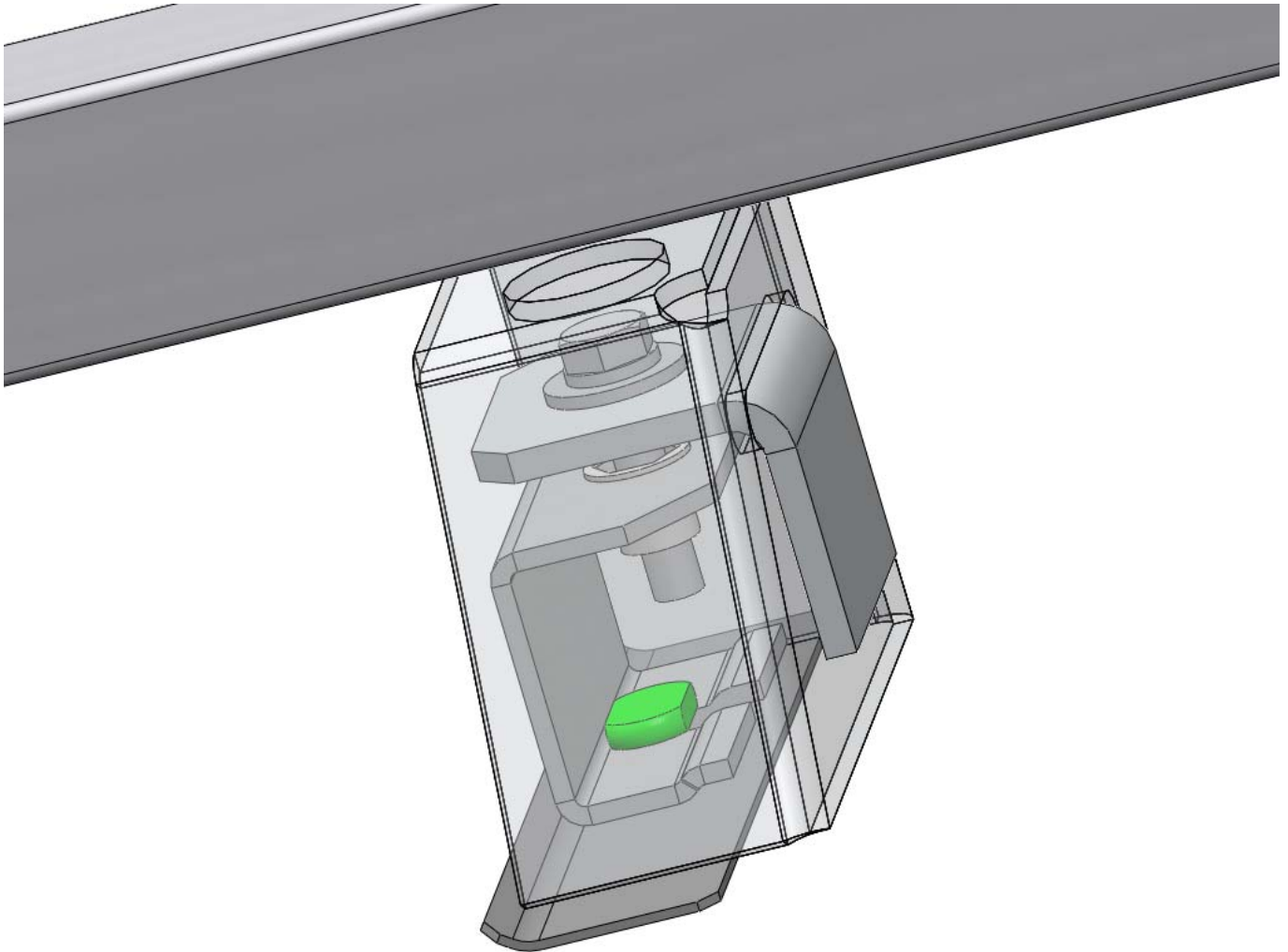
<b>PARTS YOU WILL USE FOR</b>  <b>STEP 03</b>	45168-W, -B, FOOT CLAMP (2) REQ'D PER BAR	FAS0242 5/16-18x 1.50 HEX HEAD SCREW (2) REQ'D PER BAR	FAS0588 5/16 LOCK WASHER (2) REQ'D PER BAR	FAS0552 5/16 FLAT WASHER (2) REQ'D PER BAR
				

## Instructions for Step 03



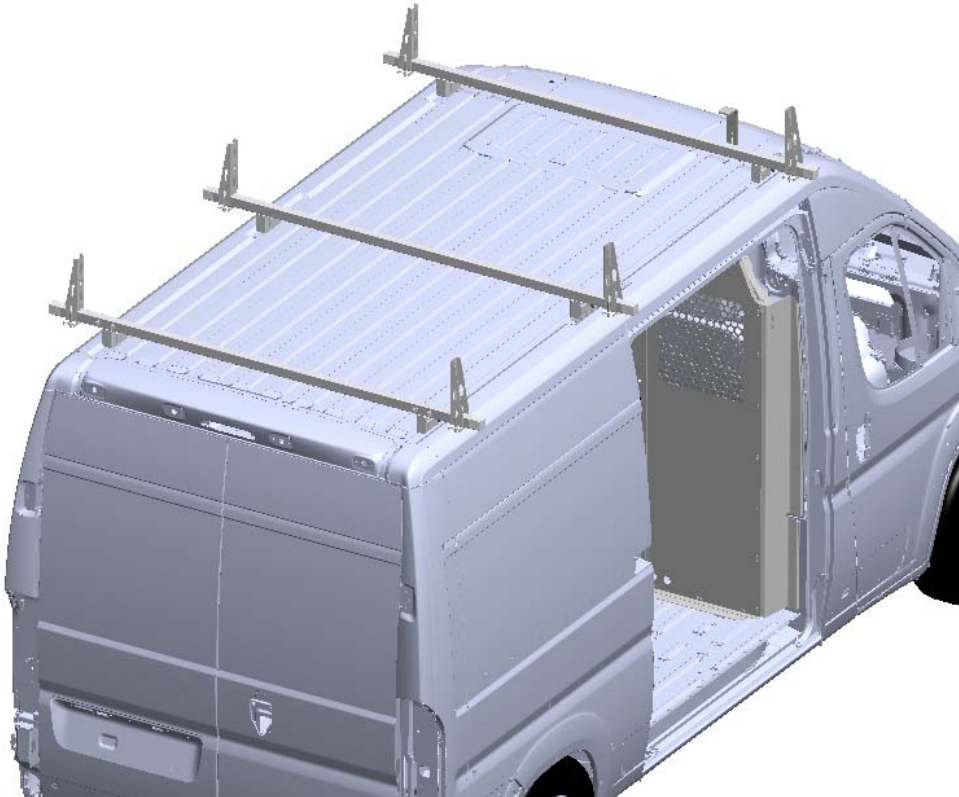
PLACE CROSSBAR OVER ATTACHMENT PINS AS SHOWN. SLIP LOWER LEG OF FOOT CLAMP UNDER HEAD OF PIN. INSTALL HEX SCREW AND WASHERS AS SHOWN. IT IS IMPORTANT THAT PIN IS IN CLAMP SLOT AND HEAD OF PIN IS CAPTURED BETWEEN VERTICAL WALL AND OFFSET OF CLAMP. TORQUE TO 12 TO 15 FT LBS. REPEAT FOR ALL CROSSBAR ASSEMBLIES. SEE NEXT PAGE FOR COMPLETED ARRANGEMENT AND FURTHER CLARIFICATION. **NOTE: REAR CROSSBAR HAS HOLES NEAR FEET FOR ATTACHMENT OF REAR ROLLER ASM!!!!**

## STEP 03 CONTINUED



FASTENING COMPLETE. FOOT SHOWN TRANSPARENT FOR CLARITY. TYPICAL ALL ATTACHMENTS.


# Instructions for Step 04



YOUR INSTALLATION IS NOW COMPLETE. THE 3BPM IS SHOWN INSTALLED AT LEFT. MAKE SURE ALL FASTENERS ARE PROPERLY TORQUED. CHECK FASTENERS AFETR 2 WEEKS AND AGAIN EVERY FEW WEEKS TO ASSURE PROPER PERFORMANCE OF YOUR RACK.

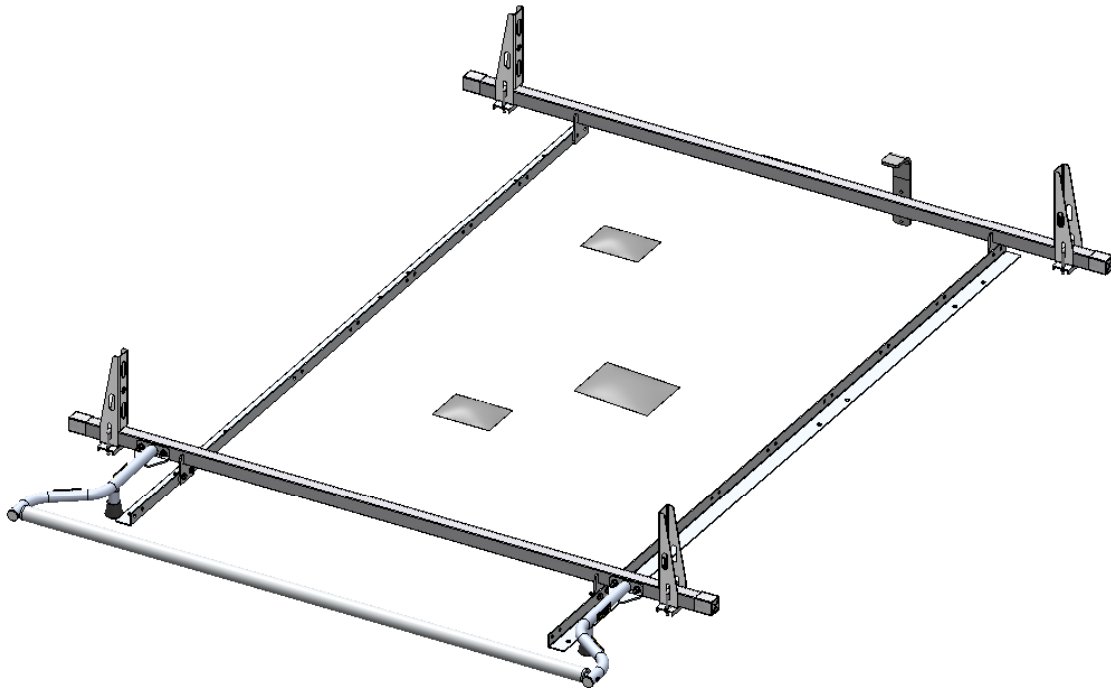
**NOTE : ALL CARGO MUST BE PROPERLY TIED DOWN TO RACK PRIOR TO TRANSPORT.**

### Introduction / Comments:

This Rear roller is designed to fit in the Dodge 2BARRPM AND 3BARRPM, and the Ford 2BARRFT AND 3BARRFT. THIS ONLY FITS THE STANDARD ROOF PROMASTER AND TRANSIT, **DOES NOT FIT ON THE HIGH ROOF VERSIONS.**

#### **Note:**

It is advised that all fasteners used in this assembly and installation should be checked for tightness at the following intervals: @ 2-weeks and again @ 6-weeks of operation. This preventive maintenance step must be completed to ensure your Rear Roller gives you long service life.



**RRBFTRP2-W SHOWN  
ATTACHED TO 2BFT-W FOR REFERENCE**

**RRBFTPM-B and RRBFTPM-W  
Utility Racks for Ford Transit / Dodge Promaster  
Std Roof Vans**

## - PRECAUTIONS -





 **CAUTION**   
**THE USE AIR IMPACT TOOLS CAN  
OVER-TORQUE FASTENERS AND  
CAUSE FASTENER FAILURE!**



 **CAUTION**   
**ALL INSTALLATION HOLES SHOULD BE SEALED  
WITH SILICON OR BUTYL SEALANT TO PREVENT  
EXHAUST FUMES FROM ENTERING THE VEHICLE!**



 **DANGER**   
**INSPECT FOR FUEL TANK, FUEL LINES, BRAKE LINES, HIGH  
VOLTAGE BATTERIES AND ELECTRICAL LINES PRIOR TO  
DRILLING TO AVOID DAMAGING CRITICAL VEHICLE SYSTEMS  
OR INJURY TO INSTALLER DURING INSTALLATION PROCESS!**



 **CAUTION**   
**TO AVOID DAMAGING THE VEHICLE ALWAYS  
USE DRILL STOPS WHEN DRILLING ANY IN-  
STALLATION HOLES!**



## - IMPORTANT WARRANTY REQUIREMENTS -

1. SUBSTITUTING ADRIAN STEEL SPECIFIED FASTENERS FOR ASSEMBLY AND/OR INSTALLATION WILL VOID YOUR PRODUCT WARRANTY.
2. ALL HOLES DRILLED INTO VEHICLE SHOULD HAVE THE RAW METAL EDGES SEALED WITH A SELF-ETCHING PRIMER TO RESIST CORROSION AND POTENTIAL FASTENER POINT FAILURE.
3. ALL FASTENERS USED IN THE INSTALLATION OF THIS PRODUCT SHOULD BE TIGHTENED TO THE TORQUE(S) SPECIFIED IN THESE INSTRUCTIONS.
4. THESE INSTRUCTIONS SHOULD BE KEPT WITH THE VEHICLE.

### THE BASIC TOOLS NEEDED FOR MOST INSTALLATIONS



DRILL



DRILL BIT WITH  
STOP



RATCHET, SOCKETS  
AND/OR WRENCHES



SCREWDRIVERS



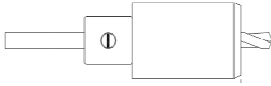


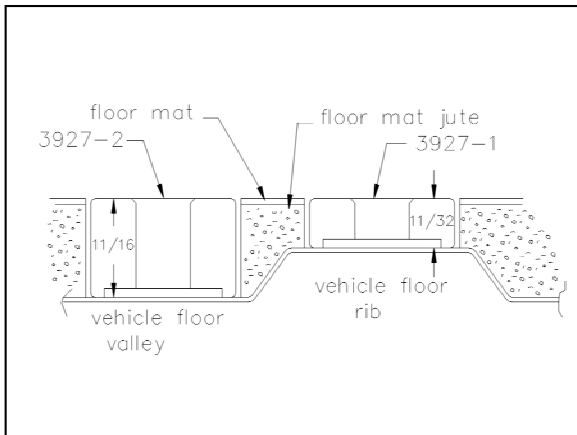
MEASURING TAPE

ADDITIONAL TOOLS MAY BE NEEDED FOR THIS INSTALLATION AND THEY WILL BE IDENTIFIED IN THE STEPS THAT FOLLOW.



**WHEN INSTALLING PLUSNUTS MAKE SURE YOU USE THE CORRECT DRILL BIT WITH A STOP!**

PLUSNUT SIZE	DRILL BIT SIZE
1/4-20 PLUSNUT, FAS0052	USE A 3/8" DIAMETER DRILL BIT WITH A STOP.
5/16-18 PLUSNUT, FAS0091	USE A 1/2" DIAMETER DRILL BIT WITH A STOP.
  <b>NOTE:</b> A PLUSNUT SETTING TOOL IS REQUIRED FOR PLUSNUT INSTALLATION AND IS NOT SUPPLIED WITH THIS KIT. ORDER PLUSNUT TOOLS FROM ADRIAN STEEL (P.N. 22200-0) OR USE AN AIR POWERED PLUSNUT SETTING GUN.	
<b>NOTE:</b> If your vehicle contains carpet or a rubber floor mat you will need to prepare the mounting locations using a 1-3/16" carpet cutter.	<b>1-3/16" DIAMETER CARPET CUTTER</b> P.N. 31183-0. 

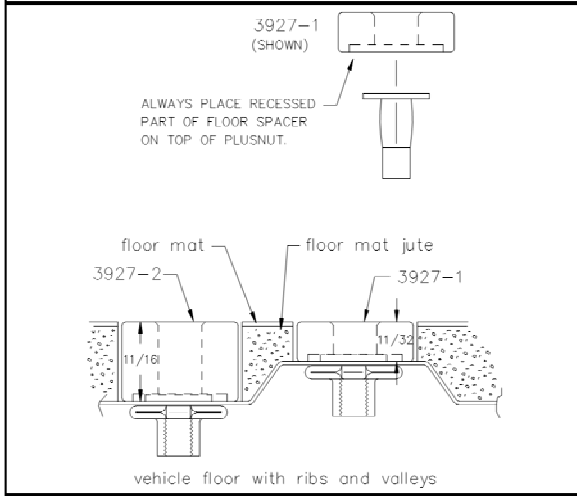


**Step 01**  
**Optional Based on Vehicle**

If your vehicle contains carpet or a rubber floor mat you will need to prepare the mounting locations. **(if not, skip to STEP 02)**

Position the product to be installed into the vehicle and once you are satisfied with the mounting locations, mark the mounting locations. Using a 1-3/16" diameter carpet cutter. Select the appropriate floor spacers as shown in the illustration to the left. Set those aside for use later into the installation process.

Once you have prepared the carpet/floor mat for mounting, proceed to **STEP 02**.

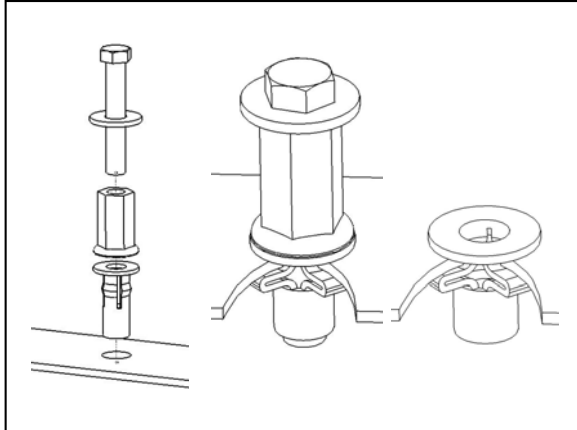


**Step 02**  
**Prepare Mounting Locations**

Using a drill and drill bit (see table at top of page for correct size) drill the mounting holes in the vehicle sheet metal to prepare for installing the plusnuts.

If you are thru-bolting at any of the locations simply drill a hole that is 1/16" larger than the bolt size(s) for those locations.

Once you have drilled the holes into the vehicle, the raw metal edges should be sealed using a self-etching primer to resist corrosion and potential fastener point failure.



**Step 03**  
**Setting Plusnuts**

Use a Air Powered Plusnut Setting Gun to "set the plusnut" or if installing manually with hand tools, assembly the following.

**1/4-20UNC Plusnut (FAS0052)**  
FAS0080 SCREW, HXHD, 1/4-20UNCx2.00, G8  
FAS0067 WASHER, FLAT, 1/4"ID  
22200-0 PLUSNUT TOOL

**5/16-18UNC Plusnut (FAS0091)**  
FAS0095 SCREW, HXHD, 5/16-18UNCx2.00", G8  
FAS0086 WASHER, FLAT, 5/16"ID  
22200-0 PLUSNUT TOOL

Place barrel of the plusnut body in sheet metal thru hole until flange is flush with sheet metal.

Using a 9/16" combination wrench of plusnut tool body and a second hand wrench, ratchet, or air tool, rotate the hex bolt head CW to draw plus nut flanges up (set the plusnut).

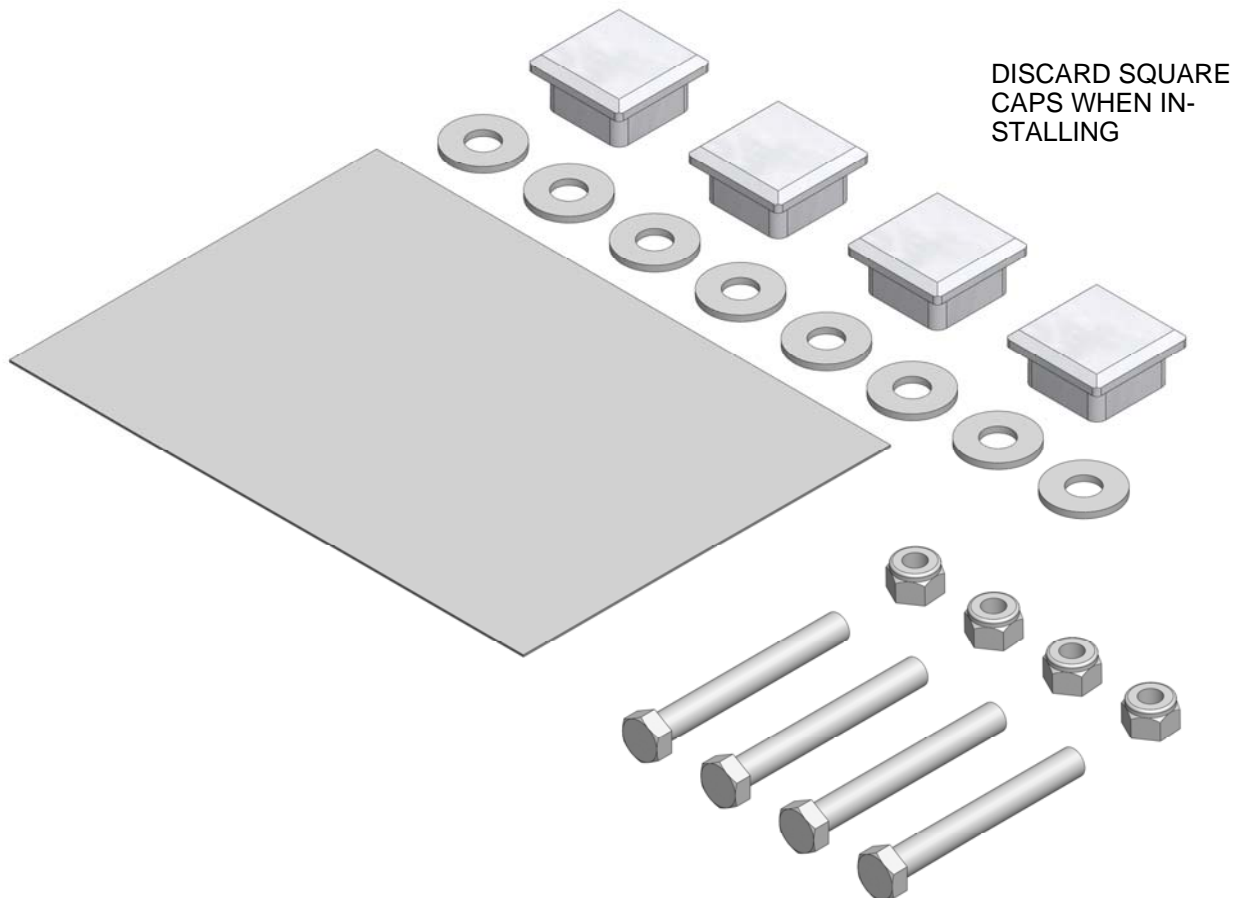
Remove hex bolt, washer, and plusnut. Inspect installation.








**Installation and/or Assembly Fasteners  
BAGRRBDPM**

BILL OF MATERIAL AND FASTENER BAG FOR  
BAGRRBDPM

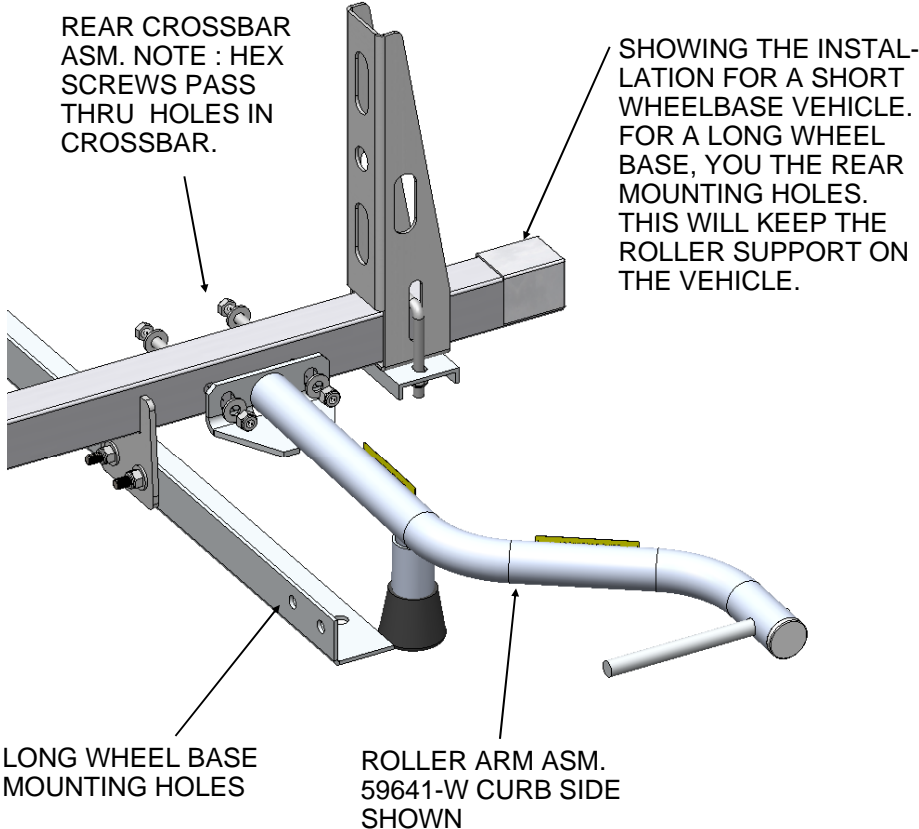
ITEM NO.	PART NUMBER	DESCRIPTION	BAGRRBDPM/QTY.
1	BAG0507-A	5" x 7" 3MIL AUTOBAG	1
2	35017-0	SQUARE TUBE PLUG	4
3	FAS0243	Screw, Hex Hd, 5/16-18x2.50 Stainless Steel	4
4	FAS0248	Nut, Nylon Insert Lock, 5/16-18 SST	4
5	FAS0552	Washer, Flat, 5/16, SST	8





<b>PARTS YOU WILL USE FOR</b>  <b>STEP 1</b>	59640-W RLR SPT ARM FT/PM SS (1) REQ'D	59641-W RLR SPT ARM FT/PM CS (1) REQ'D		
				
	FAS0243 5/16-18 X 2.50 HEX SCREW (2) REQ'D	FAS0552 5/16" FLAT WASHER (4) REQ'D	FAS0248 5/16-18 HEX NUT (2) REQ'D	
				

# Instructions for Step 1



REAR CROSSBAR ASM. NOTE : HEX SCREWS PASS THRU HOLES IN CROSSBAR.

SHOWING THE INSTALLATION FOR A SHORT WHEELBASE VEHICLE. FOR A LONG WHEELBASE, YOU THE REAR MOUNTING HOLES. THIS WILL KEEP THE ROLLER SUPPORT ON THE VEHICLE.


LONG WHEEL BASE MOUNTING HOLES

ROLLER ARM ASM. 59641-W CURB SIDE SHOWN

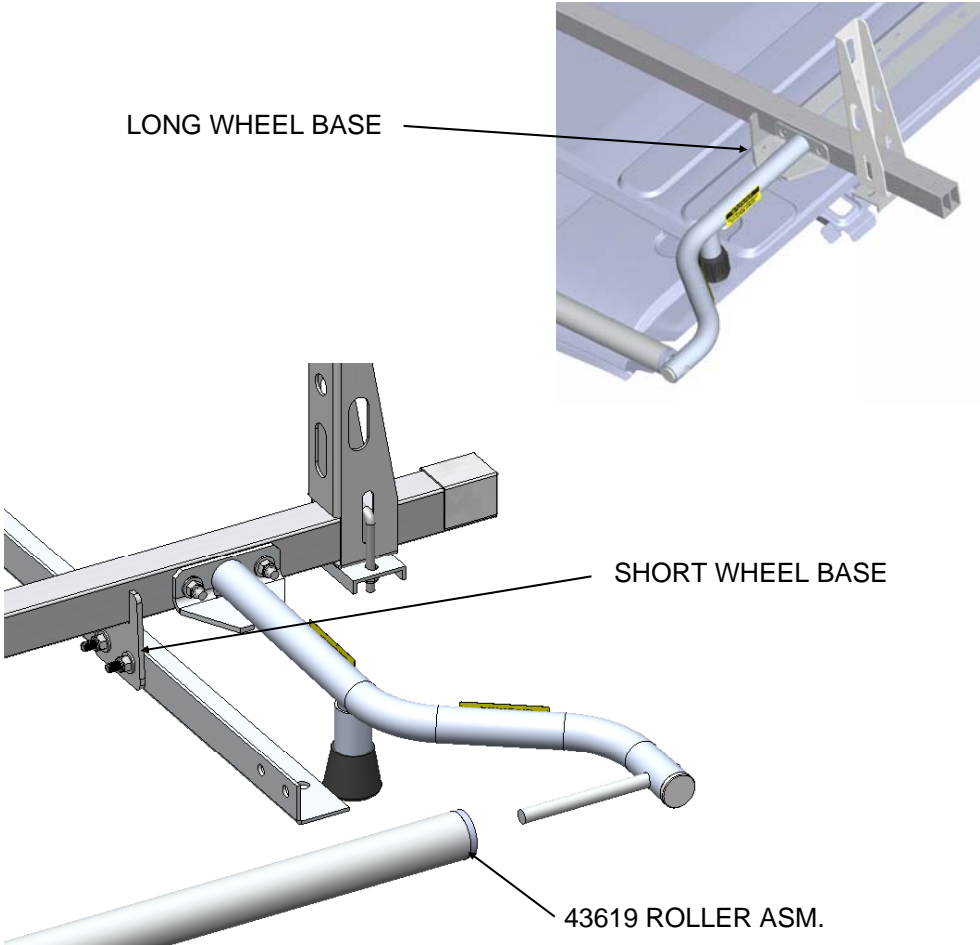
ASSEMBLE ONE ROLLER ARM ASM TO REAR CROSSBAR AS SHOWN. CLEAN ROOF AREA WHERE LOWER LEG OF ROLLER ARM WILL CONTACT. PEEL BACKING FROM TAPE ON UNDER-SIDE OF ROLLER ARM LEG SO IT WILL STICK TO ROOF. TORQUE FASTENERS TO 12 FT LBS.





<p><b>PARTS YOU WILL USE FOR</b></p> <p><b>STEP 2</b></p>	<p>43619 REAR ROLLER ASM (1) REQ'D</p>			
				

## Instructions for Step 2



LONG WHEEL BASE

SHORT WHEEL BASE

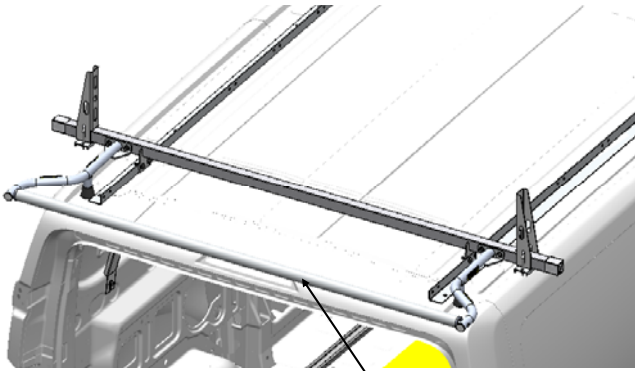
43619 ROLLER ASM.

ASSEMBLE ONE END OF ROLLER OVER PIN ON INSTALLED ARM ASM. ASSEMBLE OPPOSITE SIDE ARM ASM SAME AS FIRST.

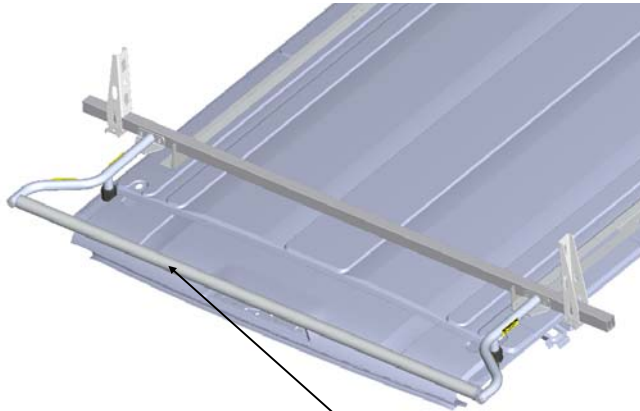
TORQUE ALL FASTENERS ON RACK TO 10-12 FT LBS



# Instructions for Step 3



SHORT WHEEL BASE VEHICLE



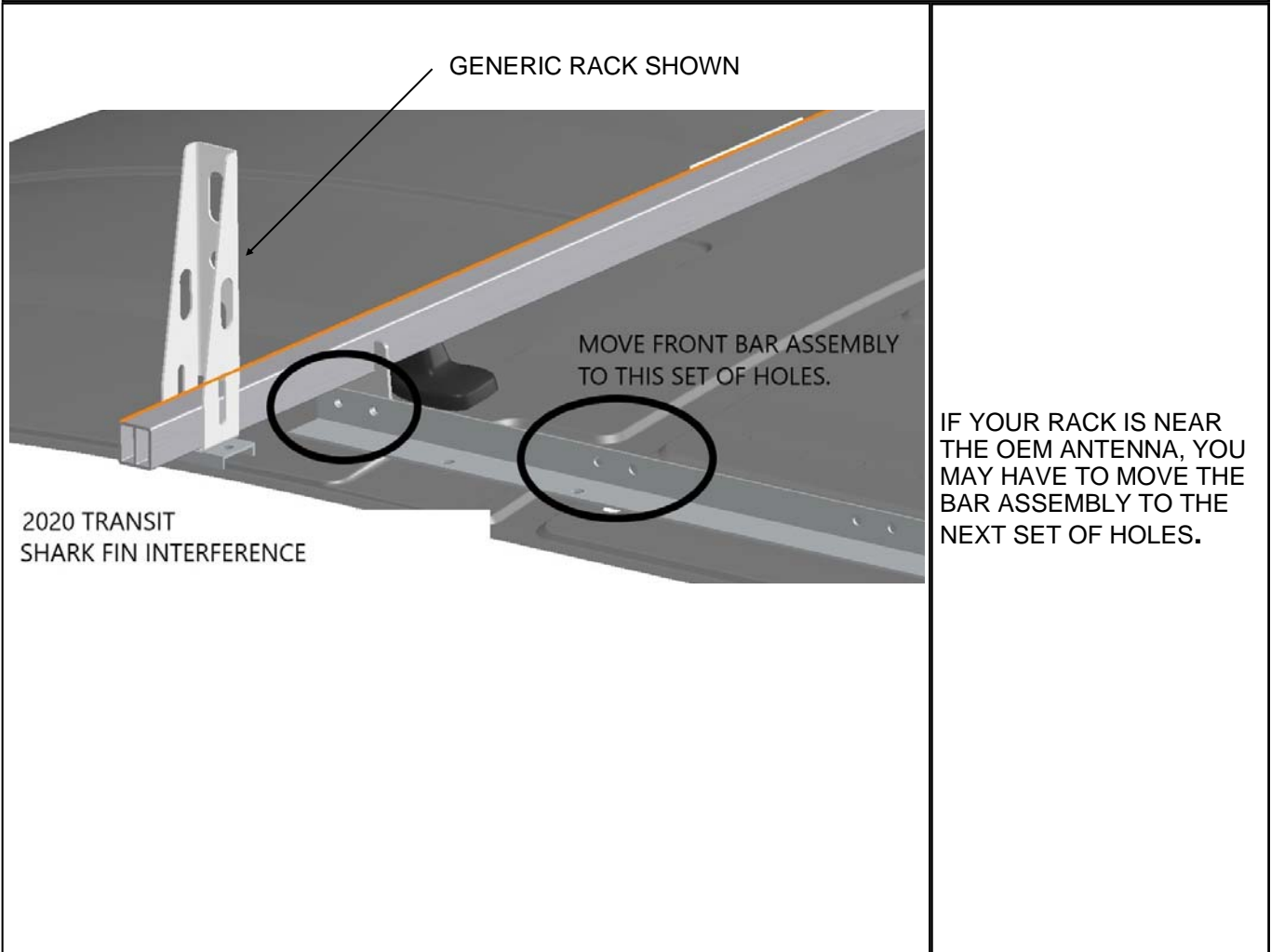
LONG WHEEL BASE VEHICLE

YOUR INSTALLATION IS NOW COMPLETE. THE ROLLER BAR ADDITION IS SHOWN INSTALLED AT LEFT ON A 2BFT-W. MAKE SURE ALL FASTENERS ARE PROPERLY TORQUED. CHECK FASTENERS AFETR 2 WEEKS AND AGAIN EVERY FEW WEEKS TO ASSURE PROPER PERFORMANCE OF YOUR RACK.

**NOTE : ALL CARGO MUST BE PROPERLY TIED DOWN TO RACK PRIOR TO TRANSPORT.**



# Installation note : OEM antenna



GENERIC RACK SHOWN

MOVE FRONT BAR ASSEMBLY TO THIS SET OF HOLES.

2020 TRANSIT SHARK FIN INTERFERENCE

IF YOUR RACK IS NEAR THE OEM ANTENNA, YOU MAY HAVE TO MOVE THE BAR ASSEMBLY TO THE NEXT SET OF HOLES.

**DOUBLE CHECK ALL FASTENERS LOCATIONS TO BE SURE THAT ALL FASTENERS ARE TIGHTENED TO SPECIFICATIONS.  
YOUR INSTALLATION IS NOW COMPLETE!  
STOW THIS COPY IN THE VEHICLE FOR FUTURE REFERENCES!**