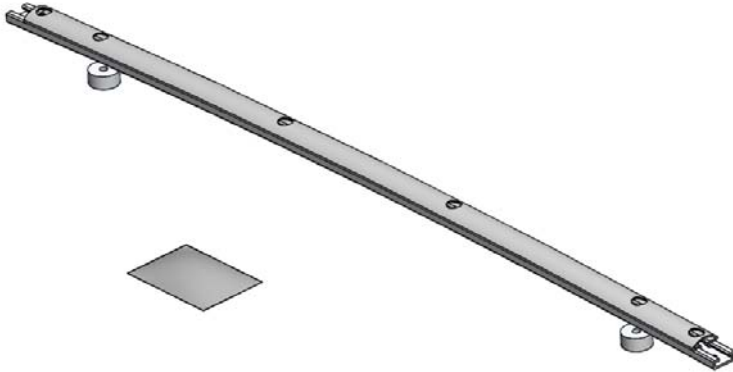




## Metris Center Bow Add-On Kit



**PRODUCT WEIGHT**

6.0 LBS

**WIDTH x DEPTH x HEIGHT**

65" x 2" x 3"

**CAPACITY**

N/A

**COLOR**

Alum & Black

**CATALOG NUMBER**

1BMMGL

**PRODUCT FEATURES**

**Center Bar Add-On Kit for Mercedes Metris Ladder Racks. For use with :  
63-MM, 61-MM, and 2BMM Racks.**

**Aluminum construction with plastic Wear Insert for load protection.**

**This accessory allows use of 69-TCL14 Extension and also allows user to  
carry short Ladders that do not span the standard 2 Bows.**

**SEE PAGE 2 FOR APPLICATION NOTES AND ACCESSORIES, OTHER PRODUCTS THAT  
WORK WITH THIS UNIT.**



**CATALOG NUMBER** 1BMMGL

***PRODUCT APPLICATION***

This product is designed to fit the Mercedes Metris Ladder & Utility Racks.

***ACCESSORIES THAT WILL WORK WITH THIS PRODUCT***

**CATALOG NUMBER**

***DESCRIPTION***

|                 |   |
|-----------------|---|
| <b>61TCSSUR</b> | <b>Utility Kit (Along with 1BMMGL Creates 3 Bar Utility Rack)</b> |
|-----------------|---|

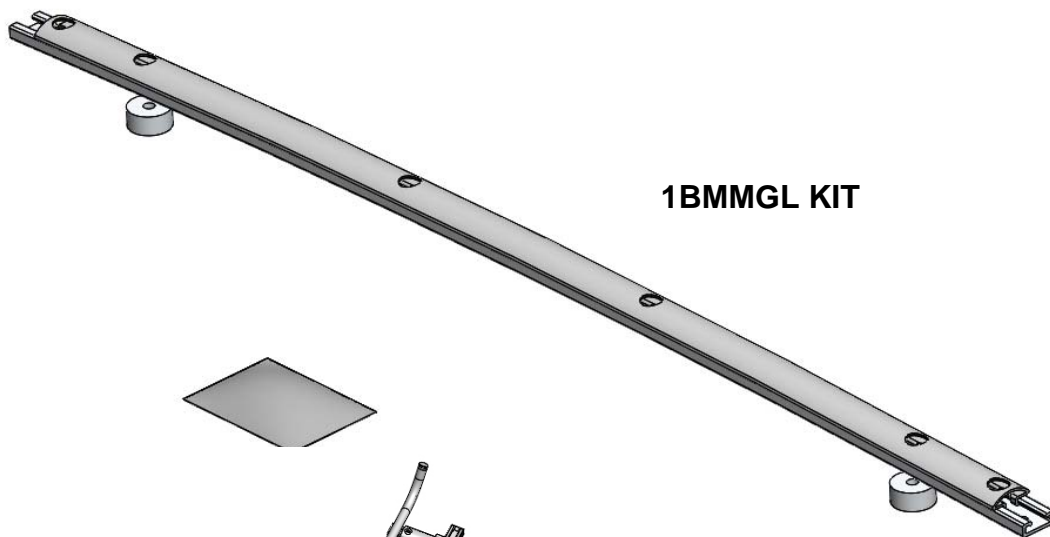
***SPECIAL APPLICATION NOTES***

**Introduction / Comments:**

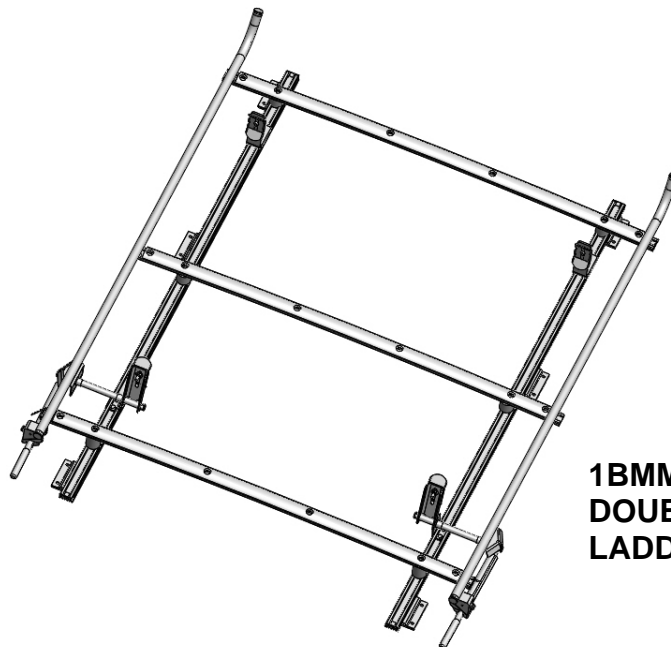
THIS KIT IS DESIGNED TO PROVIDE A MEANS TO CARRY SHORT STEP LADDERS ON THE 63-MM, 61-MM, AND 2BMM MERCEDES METRIS LADDER & UTILITY RACKS. BE SURE ANY LOAD OR LADDER IS PROPERLY SECURED TO THE RACK PRIOR TO MOVING VEHICLE.

**Note:**

It is advised that all fasteners used in this assembly and installation of this Rack should be checked for tightness at the following intervals: @ 2-weeks and again @ 6-weeks of operation. This preventive maintenance step must be completed to ensure your package gives you long service life.



1BMMGL KIT



1BMMGL INSTALLED ON  
DOUBLE GRIP-LOCK  
LADDER RACK

**1BMMGL  
CENTER BOW KIT FOR 2016 MERCEDES METRIS  
RACKS**

## - PRECAUTIONS -





 **CAUTION**   
**THE USE OF AIR IMPACT TOOLS CAN  
OVER-TORQUE FASTENERS AND  
CAUSE FASTENER FAILURE!**



 **CAUTION**   
**ALL INSTALLATION HOLES SHOULD BE SEALED  
WITH SILICON OR BUTYL SEALANT TO PREVENT  
EXHAUST FUMES FROM ENTERING THE VEHICLE!**



 **DANGER**   
**INSPECT FOR FUEL TANK, FUEL LINES, BRAKE LINES, HIGH  
VOLTAGE BATTERIES AND ELECTRICAL LINES PRIOR TO  
DRILLING TO AVOID DAMAGING CRITICAL VEHICLE SYSTEMS  
OR INJURY TO INSTALLER DURING INSTALLATION PROCESS!**



 **CAUTION**   
**TO AVOID DAMAGING THE VEHICLE ALWAYS  
USE DRILL STOPS WHEN DRILLING ANY IN-  
STALLATION HOLES!**



## - IMPORTANT WARRANTY REQUIREMENTS -

1. SUBSTITUTING ADRIAN STEEL SPECIFIED FASTENERS FOR ASSEMBLY AND/OR INSTALLATION WILL VOID YOUR PRODUCT WARRANTY.
2. ALL HOLES DRILLED INTO VEHICLE SHOULD HAVE THE RAW METAL EDGES SEALED WITH A SELF-ETCHING PRIMER TO RESIST CORROSION AND POTENTIAL FASTENER POINT FAILURE.
3. ALL FASTENERS USED IN THE INSTALLATION OF THIS PRODUCT SHOULD BE TIGHTENED TO THE TORQUE(S) SPECIFIED IN THESE INSTRUCTIONS.
4. THESE INSTRUCTIONS SHOULD BE KEPT WITH THE VEHICLE.

### THE BASIC TOOLS NEEDED FOR MOST INSTALLATIONS



DRILL



DRILL BIT WITH  
STOP



RATCHET, SOCKETS  
AND/OR WRENCHES



SCREWDRIVERS

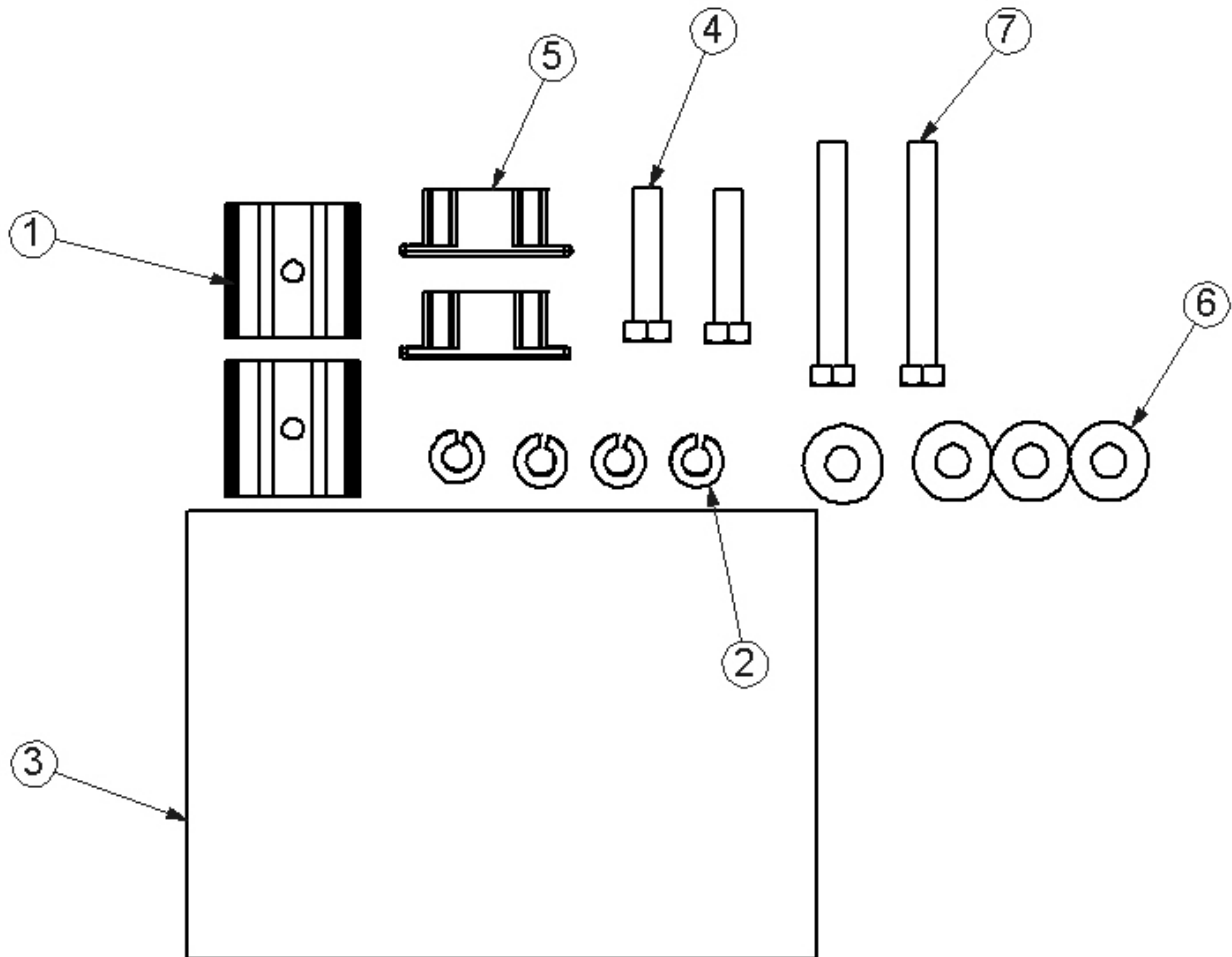


MEASURING TAPE

ADDITIONAL TOOLS MAY BE NEEDED FOR THIS INSTALLATION AND THEY WILL BE IDENTIFIED IN THE STEPS THAT FOLLOW.

BAG1BMMGL  
FASTENER BAG FOR 1BMMGL CENTER BOW KIT

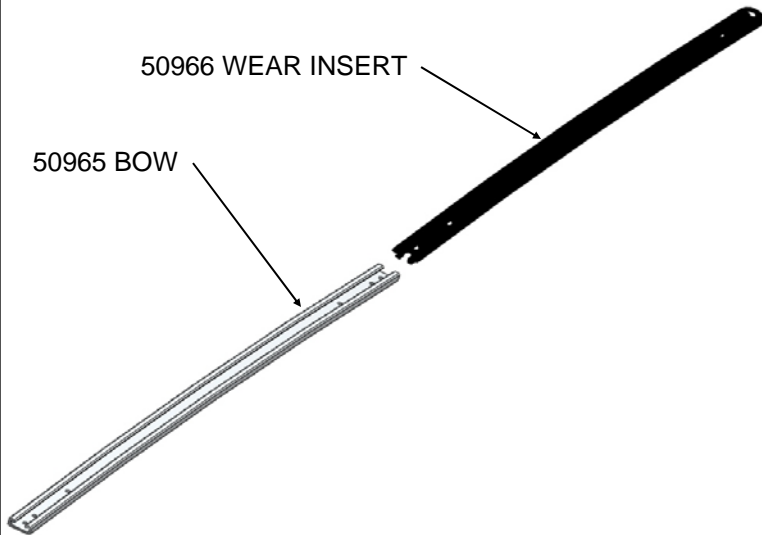
| ITEM NO. | PART NUMBER | DESCRIPTION                                    | BAG1BMMGL/QTY. |
|----------|-------------|--|----------------|
| 1        | 35335-0     | SLIDE  | 2              |
| 2        | FAS0588     | Washer, Lock, Split, 5/16, SS                  | 4              |
| 3        | BAG0507-A   | 5" x 7" 3MIL AUTOBAG                           | 1              |
| 4        | FAS0242     | Screw, Hex Hd, 5/16-18x1.50<br>Stainless Steel | 2              |
| 5        | 36496-0     | END CAP  | 2              |
| 6        | FAS0552     | Washer, Flat, 5/16, SST                        | 4              |
| 7        | FAS0243     | Screw, Hex Hd, 5/16-18x2.50<br>Stainless Steel | 2              |





**ASSEMBLE CENTER BOW KIT**

SLIDE WEAR INSERT INTO BOW UNTIL INNER HOLES ALIGN. ASSEMBLE ADDITIONAL SLIDE INTO EACH ROOF RAIL ASM NEAR CENTER OF RAIL. INSTALL SPACER BETWEEN BOW AND ROOF RAIL, FASTEN WITH FAS0243 SCREW WITH FAS0552 WASHER AND FAS0588 LOCK WASHER INTO SLIDE. ASSEMBLE CENTER BOW TO OUTER RAIL OF GRIP-LOCK RACK WITH FAS0242, FAS0552 AND FAS0588 WASHERS AS SHOWN, INTO RIVNUT IN OUTER RAIL. TORQUE TO SPEC.



**FOR EASE OF ASSEMBLY, BEND WEAR INSERT TO APPROXIMATE CURVATURE OF BOW WHILE INSERTING. NOTE : SOME OF THE PLASTIC WILL SHAVE OFF AS THIS IS AN INTERFERENCE FIT. AFTER INSERTING AS FAR AS YOU CAN BY HAND, OCCASIONALLY THE CAREFUL USE OF A BLOCK OF WOOD AND A HAMMER OR MALLET TO REACH FINISHED POSITION MAY BE NECESSARY.**

