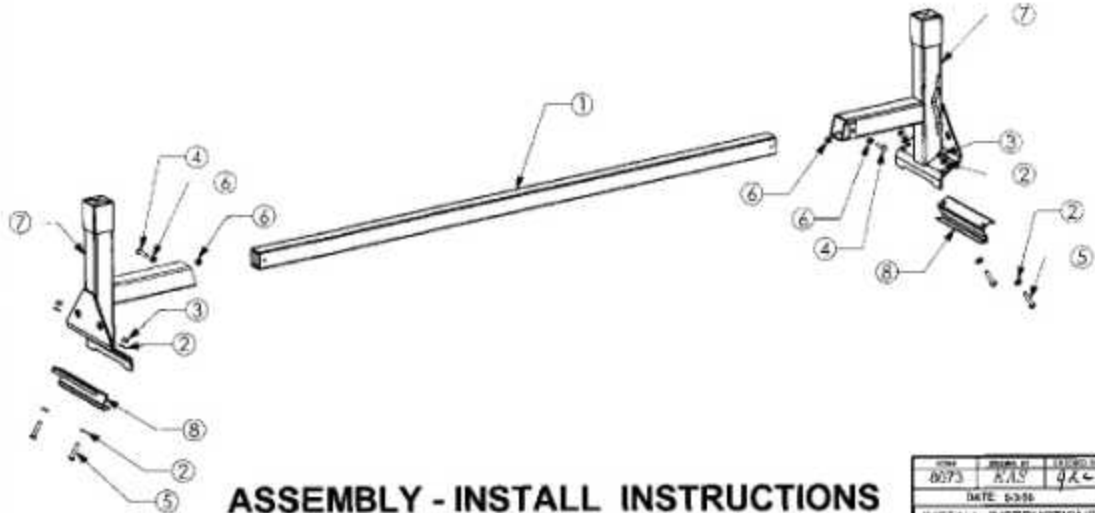


ITEM NO.	PART NUMBER	DESCRIPTION	1BAR/QUANTITY
1	29965-0	Crossbeam, Aluminum	1
2	FAS 0552	Washer, Flat, 5/16, SS1	8
3	FAS 024E	Nut, Nylon Insert Lock, 5/16-18, SS1	4
4	FAS 0587	Screw, Hex Hd, 5/16-18x1.25, Zn-Ni (1000 hour), Grade 3	2
5	FAS 012F	Screw, hex Hd, 5/16-18x1.50 Zn-Ni (1000 hour) Grade 8	4
6	FAS 059F	Nut, Hex 5/16-18	4
7	29846-0	Foot (Middle) with Protective Cap	2
8	30995-0	FOOT CLAMP - Stainless Steel	2
9	2BAR	2 Bar Aluminum Ut. Rack	1

**ADRIAN STEEL**  
 THE DESIGN IS THE PROPERTY OF  
 ADRIAN STEEL CO.  
 11111 20th St  
 Dallas, TX 75244  
 (972) 242-1111  
 FAX (972) 242-1112  
 WWW.ADRIANSTEEL.COM

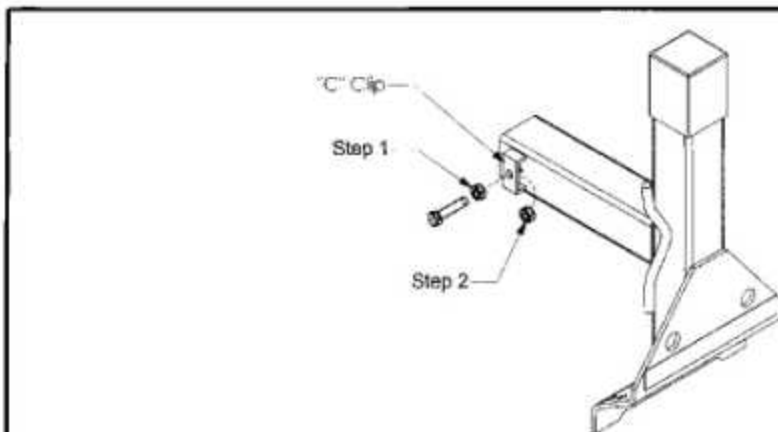
PAGE 1 of 3



## ASSEMBLY - INSTALL INSTRUCTIONS

### 1BAR Aluminum Utility Rack

DATE	DESIGN BY	ENGINEER
0073	KAS	QKC
DATE: 03/06		
INSTALL INSTRUCTIONS		
1BAR Alum. Utility Rack		
FIG. NO.	REV.	
29966	B	



**ADRIAN STEEL**  
 THE DESIGN IS THE PROPERTY OF  
 ADRIAN STEEL CO.  
 11111 20th St  
 Dallas, TX 75244  
 (972) 242-1111  
 FAX (972) 242-1112  
 WWW.ADRIANSTEEL.COM

PAGE 2 of 3

**CAUTION:** Never attempt to install Stop Bolts while on top of van, this could cause damage to the vehicle !

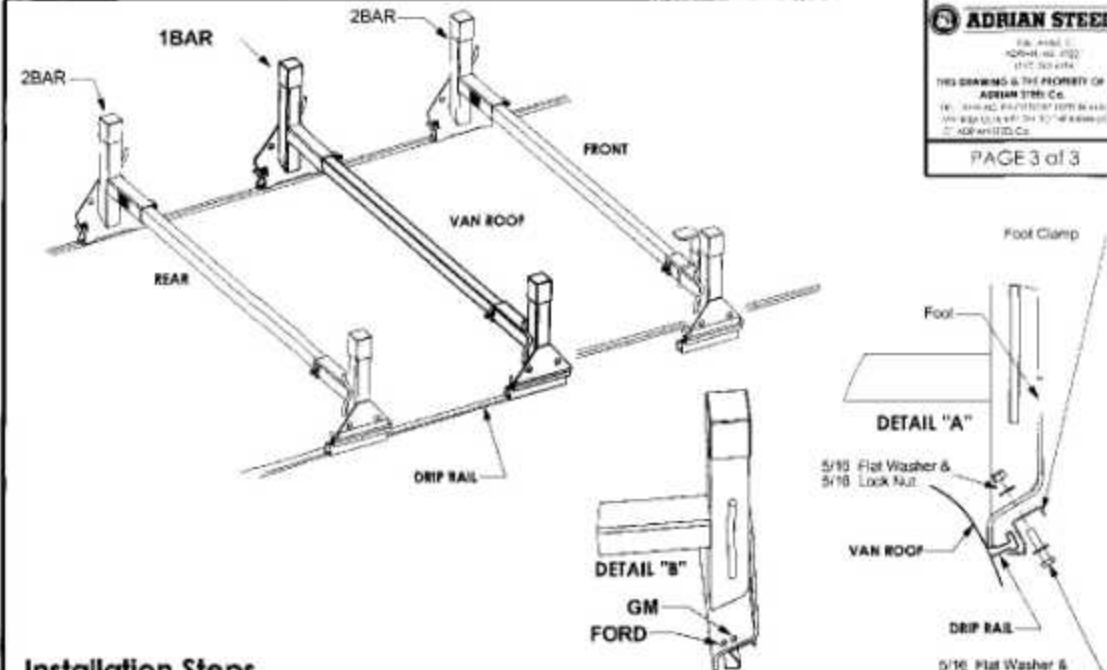
" A workbench or a solid flat surface is best for this installation. "

### CROSSBEAM FOOT "STOP BOLT" PRE-ASSEMBLY

**NEVER USE AIR TOOLS or POWER TOOLS TO INSTALL THIS SCREW !! AIR & POWER TOOLS MAY STRIP THREADS IN NUT !**

- 1) Place a 5/16-18 hex nut onto the 1-1/4 5/16-18 bolt, about 3/4" up.
- 2) Next, slide this bolt into the hole in the outer "C" clip, and then start a second 5/16-18 nut onto the bolt.
- 3) Leave this assembly loose for adjustment later. Make sure the threads of the bolt do not enter the square tubing.

DATE	DESIGN BY	ENGINEER
0073	KAS	QKC
DATE: 03/06		
INSTALL INSTRUCTIONS		
1BAR Alum. Utility Rack		
FIG. NO.	REV.	
29966	B	



**Installation Steps**

- 1) Loosly attach two feet assemblies to the crossbar. Space the feet equal distance from end.
- 2) Place this assembly up on roof of van.
- 3) Lower teeth of foot must sit in the groud area of the van roof, and as far in as possible (see DETAIL "A").
- 4) Place a Foot Clamp under the drip rail, and attach to Foot with 5/16-18 x 1-1/2" bolts, Flat Washers, and Nylon Hex Nuts through the proper hole. ( see DETAIL "B" & DETAIL "A").
- 5) Finally, tighten the two Crossbar Stop Bolts holding the crossbar in place. Then use the Silicone Sealant around all seams. Recheck all fasteners for proper tightness.

REV	DATE	BY	CHKD BY
8073	8/85	AAS	QAC
DATE: 5/85			
INSTALL INSTRUCTIONS			
1BAR Akim Utility Rack			
29966			B



306 JAMES ST.  
 ADRIAN, MI. 49221  
 (517) 205-6194

**ATTENTION ! !**

**LADDER RACK PURCHASER**

It is advised that " all fasteners " that assemble and install your Ladder Rack is " checked for tightness " at 2 weeks of operation and then rechecked again at 6 weeks of operation.

Assembly " fasteners could loosen " due to vibration through your vehicle while on the road or in and out of construction sites.

" Drip rail Clamps could loosen " due to the Ladder Rack Feet settling into the grouting that the O.E.M. puts into the drip rail as a seal.

This is a preventative maintenance step to Insure your Ladder Rack gives you a long service life.

**\*\* INSTALLER:** Please present this statement to the End User when delivering the installed product !