



ADRIAN STEEL®

Cargo Management Solutions for Commercial Vehicles



CONTENTS

3	Adrian Truck Cap
4	Truck Cap Options
5	Truck Cap Toolbox
5	Build Your Toolbox
6	Toolbox Options
7	Lighting & Electronics
9	ProLift™ Truck Cap Ladder Rack
11	Grip-Lock™ Truck Cap Ladder Rack
13	HD-Utility™ Truck Rack
15	Extendedbed Sliding Platform
17	Extendedbed Shelving
19	HVAC Cargo Truck Solution
20	Electrical Cargo Truck Solution
21	Static Truck Shelving Units
22	Cargo Accessories
23	Load Runner Truck Rack
25	Crossboxes & Sideboxes
27	Maverick - Static Industry Packages
29	5' Bed - Static Industry Packages
31	6'-8' Bed - Static Industry Packages
33	8+ Bed - Static Industry Packages
35	Glossary
37	Part Number Matrix



A WHOLE NEW ERA OF PICKUP TRUCK SOLUTIONS.

**DESIGNED FOR YOU,
MANUFACTURED IN 5 DAYS,
WARRANTED BY ONE COMPANY.**

Adrian Steel, your trusted partner for cargo van upfitting, now leads in pickup truck solutions. We offer the same dependable lead times and a simplified ordering process, making us your one-stop shop for truck upfitting needs. Our cargo truck solutions provide unmatched lead times and a variety of products designed to work seamlessly together.



A WARRANTY YOU CAN COUNT ON

**CHOOSE ADRIAN STEEL FOR
QUALITY PRODUCTS YOU CAN TRUST,
BACKED BY A WARRANTY YOU CAN COUNT ON.**

We stand by the quality of every product we craft, offering you peace of mind with our comprehensive warranty. Unlike other warranties, ours is straightforward and hassle-free, providing you with the assurance you need, should you need it. Don't settle for less when it comes to quality and reliability, choose Adrian Steel.



Scan to find your local distributor to build the best upfit solution for your business!

Questions?
Contact Us!

[AdrianSteel.com](https://www.AdrianSteel.com)
800.677.2726

ADRIAN TRUCK CAP

WHERE UNMATCHED LEAD TIMES MEET SIMPLIFIED ORDERING.



BENEFITS

30% MORE SQ. FT. OF CARGO ACCESS (patent pending)

- // Easy access and storage for tools and consumables.
- // Side doors are 30% larger than current toppers.

WEATHER AND DUST RESISTANT (patent pending)

- // Tight seal helps prevent tools and consumables from being impacted by water and dust.
- // Integrated rain gutters push water away from assembly seams.
- // Pre-installed rubber gaskets prevent runoff from entering the access doors.



COMPRESSION HANDLE

- // The only handle on the market designed with a seal that offers better weather and dust protection.

MODULAR DESIGN

- // Customize your topper specifically to your business with our add-on accessories.
- // Minimize the cost of body repairs (only replace panels impacted).
- // Modular parts create flexibility when ordering. Enjoy the ability to add toolboxes and ladder racks at anytime.

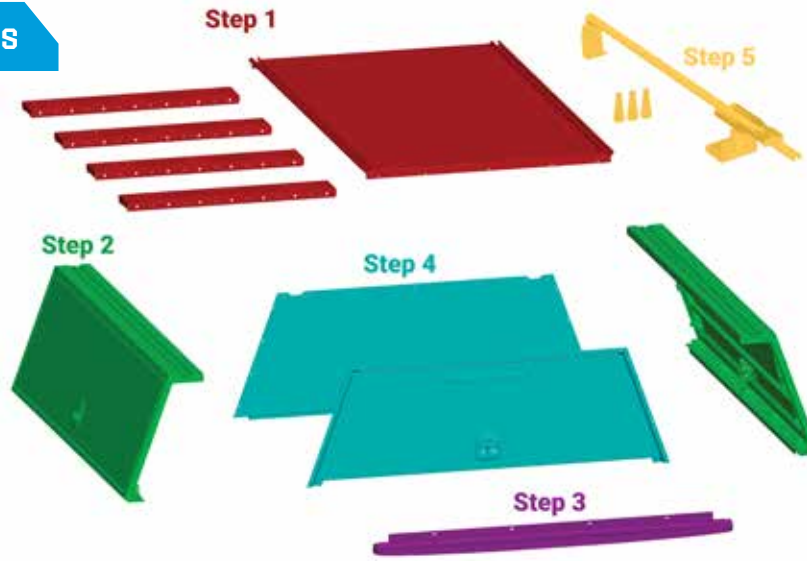
LADDER RACK READY

- // No need to order extra parts. This topper comes ready to install Adrian Steel ladder racks.
- // Integrated ladder rail also boosts the topper's strength and rigidity.



26"H Truck Cap Shown

TRUCK CAP OPTIONS



SCAN TO BUILD YOUR TRUCK CAP!

BUILD YOUR OWN TRUCK CAP

VEHICLE PLATFORM	BED LENGTH	CAP HEIGHT	ADRIAN TRUCK CAP FULL KIT	STEP 1	STEP 2	STEP 3	STEP 4
				ROOF KIT (TRK)	SIDE KIT * (TSK)	HARDWARE KIT (THK)	CLOSURE KIT (TCK)
LIGHTNING	5.5'	-	TFKFDT166HM23W	TRK6623W	TSK66M23W	THKFDT166M23	TCK78HM23W
F-150	6.5'	23"	TFKFDT178HM23W	TRK7823W	TSK78M23W	THKFDT178M23	TCK78HM23W
	8'	23"	TFKFDT196HM23W	TRK9623W	TSK96M23W	THKFDT196M23	TCK78HM23W
	8'	26"	TFKFDT296HM26W	TRK9623W	TSK96M26W	THKFDT296M26	TCK80HM26W
F-250/350	6.75'	26"	TFKFDT280HM26W	TRK8026W	TSK80M26W	THKFDT280M26	TCK80HM26W
	8'	23"	TFKFDT196HM23W	TRK9623W	TSK96M26W	THKFDT296M26	TCK80HM26W
	8'	26"	TFKFDT296HM26W	TRK9623W	TSK96M26W	THKFDT296M26	TCK80HM26W
RANGER	5'	-	coming Q4	-	-	-	-
MAVERICK	4.5'	23"	TFKMAV154HM23W	TRK5423W	TSK54M23W	THKMAV154M23	TCK54HM23W
SILVERADO/ SIERRA 1500	6.5'	23"	TFKGMT178HM23W	TRK7823W	TSK78M23W	THKGMT178M23	TCK78HM23W
	8'	23"	TFKGMT196HM23W	TRK9623W	TSK96M23W	THKGMT196M23 ³	TCK78HM23W
	8'	26"	TFKGMT296HM26W	TRK9623W	TSK96M26W	THKGMT296M26	TCK80HM26W
SILVERADO/ SIERRA 2500/3500	6.75'	26"	TFKGMT280HM26W	TRK8026W	TSK80M26W	THKGMT280M26	TCK80HM26W
	8'	23"	TFKGMT196HM23W	TRK9623W	TSK96M26W	THKGMT296M26	TCK80HM26W
	8'	26"	TFKGMT296HM26W	TRK9623W	TSK96M26W	THKGMT296M26	TCK80HM26W
COLORADO	5'	-	coming Q4	-	-	-	-
RAM 1500	6.3'	23"	TFKRAM175HM23W	TRK7523W	TSK75M23W	THKRAMT175M23	TCK78HM23W
	8'	23"	TFKRAM196HM23W	TRK9623W	TSK96M23W	THKRAM196M23	TCK78HM23W
	8'	26"	TFKRAM296HM26W	TRK9623W	TSK96M26W	THKRAM296M26	TCK80HM26W
RAM 2500/3500	6.3'	26"	TFKRAM175HM23W	TRK9623W	TSK96M23W	THKRAM196M23	TCK78HM23W
	8'	23"	TFKRAM196HM23W	TRK9623W	TSK96M26W	THKRAM296M26	TCK80HM26W
	8'	26"	TFKRAM296HM26W	TRK9623W	TSK96M26W	THKRAM296M26	TCK80HM26W
NISSAN FRONTIER	6'	23"	coming Q4	-	-	-	-

* Must order 2 side kits to build a complete truck cap.

STEP 5	LADDER KEEPER	GRAB HANDLE KIT
ACCESSORIES	LK7	TGHK3



Scan to find your local distributor to build the best upfit solution for your business!

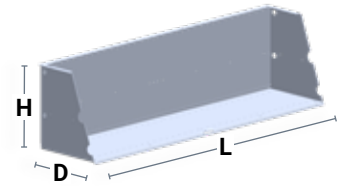
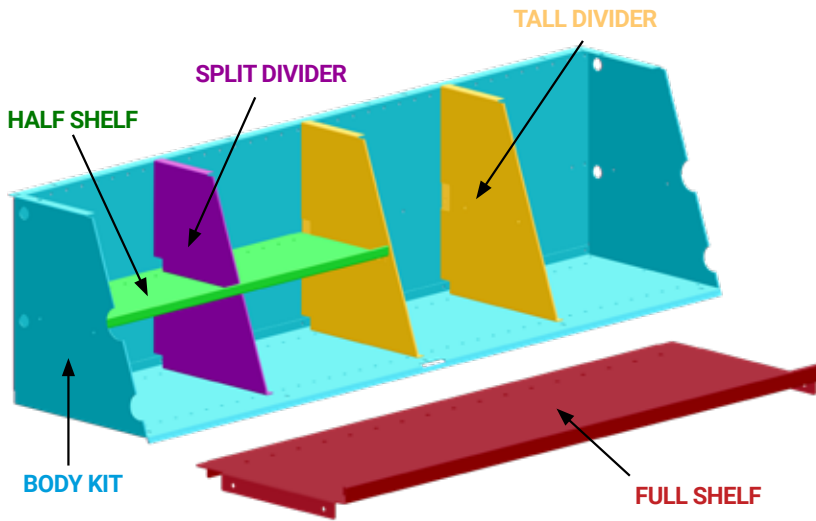
Questions? Contact Us!

AdrianSteel.com
800.677.2726

TRUCK CAP TOOLBOX



BUILD YOUR TOOLBOX



BODY KIT DIMENSIONS

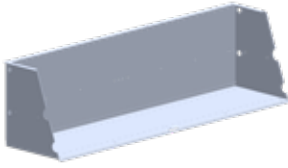
Bed Length	Length	Depth	Height
4.5'	49"	17"	20"
5'	-	-	-
5.5'	63"	17"	20"
6.3'	72"	17"	20"
6.5'	75"	17"	20"
6.75'	75"	17"	23"
8'	92.6"	17"	23"

	4.5' BED	5' BED	5.5' BED	6.3' BED	6.5' BED	6.75' BED	8' BED ^{23"TOP}	8' BED ^{26"TOP}
BODY KIT	TTBBK174920	-	TTBBK176320	TTBBK177220	TTBBK177520	TTBBK177523	TTBBK179320	TTBBK179323
FULL SHELF KIT¹	TTBSK1749	-	TTBSK1763	TTBSK1772	TTBSK1775	TTBSK1775	TTBSK1793	TTBSK1793
SPLIT DIVIDER KIT	TTBSDK1720	-	TTBSDK1720	TTBSDK1720	TTBSDK1720	TTBSDK1723	TTBSDK1720	TTBSDK1720
HALF SHELF KIT²	TTBSK1725	-	TTBSK1731	TTBSK1735	TTBSK1737	TTBSK1737	TTBSK1746	TTBSK1746
TALL DIVIDER KIT	TTBTDK1720	-	TTBTDK1720	TTBTDK1720	TTBTDK1720	TTBTDK1723	TTBTDK1720	TTBTDK1720

¹Comes with one split divider, required for installation. ²Must order one tall divider, required for installation.

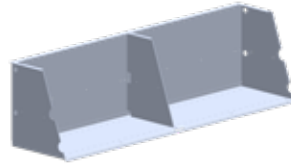
NO SHELF

TOOLBOX OPTIONS



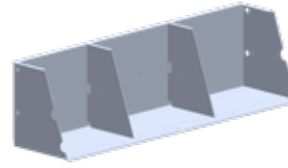
CONFIGURATION 1

Bed Length	Part #
4.5'	TTB174920C01
5'	-
5.5'	TTB176320C01
6.3'	TTB177220C01
6.5'	TTB177520C01
6.75'	TTB177523C01
8' 23" Top	TTB179320C01
8' 26" Top	TTB179323C01



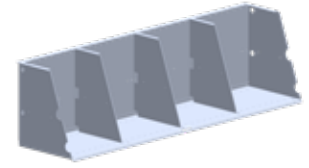
CONFIGURATION 2

Bed Length	Part #
4.5'	TTB174920C02
5'	-
5.5'	TTB176320C02
6.3'	TTB177220C02
6.5'	TTB177520C02
6.75'	TTB177523C02
8' 23" Top	TTB179320C02
8' 26" Top	TTB179323C02



CONFIGURATION 3

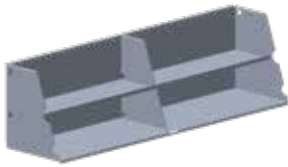
Bed Length	Part #
4.5'	TTB174920C03
5'	-
5.5'	TTB176320C03
6.3'	TTB177220C03
6.5'	TTB177520C03
6.75'	TTB177523C03
8' 23" Top	TTB179320C03
8' 26" Top	TTB179323C03



CONFIGURATION 4

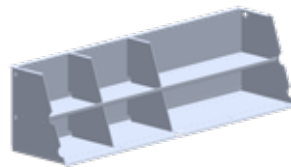
Bed Length	Part #
4.5'	TTB174920C04
5'	-
5.5'	TTB176320C04
6.3'	TTB177220C04
6.5'	TTB177520C04
6.75'	TTB177523C04
8' 23" Top	TTB179320C04
8' 26" Top	TTB179323C04

FULL LENGTH SHELF



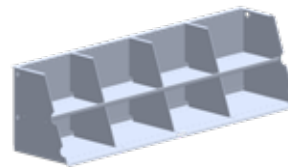
CONFIGURATION 5

Bed Length	Part #
4.5'	TTB174920C05
5'	-
5.5'	TTB176320C05
6.3'	TTB177220C05
6.5'	TTB177520C05
6.75'	TTB177523C05
8' 23" Top	TTB179320C05
8' 26" Top	TTB179323C05



CONFIGURATION 6

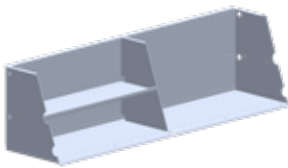
Bed Length	Part #
4.5'	TTB174920C06
5'	-
5.5'	TTB176320C06
6.3'	TTB177220C06
6.5'	TTB177520C06
6.75'	TTB177523C06
8' 23" Top	TTB179320C06
8' 26" Top	TTB179323C06



CONFIGURATION 7

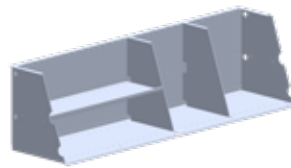
Bed Length	Part #
4.5'	TTB174920C07
5'	-
5.5'	TTB176320C07
6.3'	TTB177220C07
6.5'	TTB177520C07
6.75'	TTB177523C07
8' 23" Top	TTB179320C07
8' 26" Top	TTB179323C07

HALF LENGTH SHELF



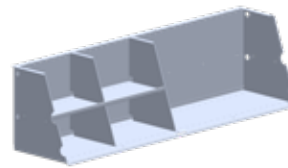
CONFIGURATION 8

Bed Length	Part #
4.5'	TTB174920C08
5'	-
5.5'	TTB176320C08
6.3'	TTB177220C08
6.5'	TTB177520C08
6.75'	TTB177523C08
8' 23" Top	TTB179320C08
8' 26" Top	TTB179323C08



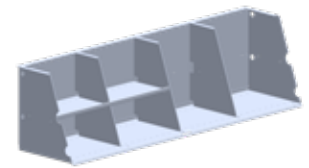
CONFIGURATION 9

Bed Length	Part #
4.5'	TTB174920C09
5'	-
5.5'	TTB176320C09
6.3'	TTB177220C09
6.5'	TTB177520C09
6.75'	TTB177523C09
8' 23" Top	TTB179320C09
8' 26" Top	TTB179323C09



CONFIGURATION 10

Bed Length	Part #
4.5'	TTB174920C10
5'	-
5.5'	TTB176320C010
6.3'	TTB177220C10
6.5'	TTB177520C10
6.75'	TTB177523C10
8' 23" Top	TTB179320C10
8' 26" Top	TTB179323C10



CONFIGURATION 11

Bed Length	Part #
4.5'	TTB174920C11
5'	-
5.5'	TTB176320C011
6.3'	TTB177220C11
6.5'	TTB177520C11
6.75'	TTB177523C11
8' 23" Top	TTB179320C11
8' 26" Top	TTB179323C11



Scan to find your local distributor to build the best upfit solution for your business!

Questions?
Contact Us!

AdrianSteel.com
800.677.2726

TRUCK CAP ELECTRONICS

SPECS



24" LIGHT STRIP

48" LIGHT STRIP

DOME LIGHT

	24" LIGHT STRIP	48" LIGHT STRIP	DOME LIGHT
LED COLOR	6000K	6000K	7000K
LED QUANTITY	36	72	12
LED TYPE	5050 SMD	5050 SMD	3030 SMD
LUMENS	432	864	130
ADHESIVE MOUNTING	5962 VHB	5962 VHB	4910 VHB
LENGTH	28"	52"	180mm
WIDTH	10mm	10mm	57mm
THICKNESS	2.5mm	2.5mm	18.25mm



24" LIGHT STRIP, 2-PACK

Use these kits if installing with the grab handle kit(TGHK3).

48" LIGHT STRIP

VEHICLE PLATFORM	BED LENGTH	48" LIGHT STRIP KITS					24" LIGHT STRIP KITS, 2-PACK *		
		FULL LIGHTING KIT 2 DOMES, 3 STRIPS	3 STRIP LIGHT KIT, DRIVER,PASS,REAR	REAR SINGLE	PASSENGER SINGLE	DRIVER SINGLE	FULL KIT ALL 3 DOORS	PASSENGER	DRIVER
F-150 LIGHTNING	5.5'	74486	74560	74564	74491	74496	-	-	-
F-150	5.5'	72548	72607	72604	72605	72606	74623	74622	74621
	6.5'	72548	72607	72604	72605	72606	74623	74622	74621
	8'	74485	74489	72604	74487	74488	-	-	-
F-250/350 SUPER-DUTY	6.75'	72548	72607	72604	72605	72606	74623	74622	74621
	8'	74485	74489	72604	74487	74488	-	-	-
RANGER	5'	-	-	-	-	-	-	-	-
MAVERICK	4.5'	74632 ^{36"}	74636 ^{36"}	74633 ^{36"}	74634 ^{36"}	74635 ^{36"}	-	-	-
SILVERADO/ SIERRA 1500	6.5'	72549	72611	72608	72609	72610	74627	74625	74626
	8'	74490	74494	72608	74492	74493	-	-	-
SILVERADO/ SIERRA HD 2500/3500	6.75'	72549	72611	72608	72609	72610	74627	74625	74626
	8'	74490	74494	72608	74492	74493	-	-	-
COLORADO	5"	-	-	-	-	-	-	-	-
RAM 1500	6.3'	73106	73110	73107	73108	73109	74631	74629	74630
	8'	74495	74499	73107	74497	74498	-	-	-
RAM HD 2500/3500	6.3'	73106	73110	73107	73108	73109	74631	74629	74630
	8'	74495	74499	73107	74497	74498	-	-	-

^{36"} 36" Strip Lights | * Use with grab handle accessory kit



Scan to find your local distributor to build the best upfit solution for your business!

Questions?
Contact Us!

AdrianSteel.com
800.677.2726

PROLIFT™ TRUCK CAP LADDER RACK

THE PERFECT COMBINATION OF SAFETY, EFFICIENCY AND SECURITY.

- 1 LOCKABLE ATTACHED HANDLE** (STANDARD-DROP)
Prevents losing your ladder rack handle and wasting time obtaining a new one. Pad-Lock capable to prevent theft.
- 2 PULL ASSIST GAS SPRINGS**
Dampens the load during operation to prevent damage to the vehicle while also reducing operating force.
- 3 RUGGED WEAR STRIPS**
Protects and helps increase the life of your ladders.
- 4 ADJUSTABLE CLAMP PADS**
Get a snug fit on any ladder with just a half inch wrench or ratchet/socket.

- 5 LADDER GUIDE / TRUCK GUARD**
Help guide the ladder into the front bracket while also preventing damage to the truck from the ladder.
- 6 SECONDARY SLIDE** (MAX-DROP)
The secondary slide lowers the ladder to a lower more ergonomic reach height to prevent back and shoulder injuries during operation. (not shown below)
- 7 EASY RELEASE T-HANDLE** (MAX-DROP)
Press and release with thumb to active the secondary slide. (not shown below)

PROLIFT

LADDER
COMPATIBILITY

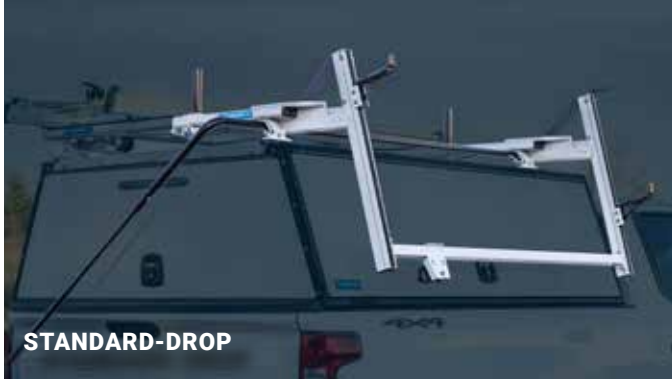
BED SIZE	RACK SIZE	WHAT FITS?
4.6" - 6'1"	4'	Extension: 16'-28' Step Ladder: 6'-10'
6'2" - 6'10"	5'	Extension: 16'-30' Step Ladder: 6'-10'
8'+	6'	Extension: 16'-32' Step Ladder: 8'-12'



UP TO 50% LIGHTER OPERATION

The ProLift™ is up to 50% lighter to operate than other drop-down ladder racks, making it the easiest and safest option available. Its patent-pending mechanical advantages and high-performance spring assist struts allow for almost effortless ladder raising and lowering, saving time, energy, and reducing the risk of injuries.

- The Standard-Drop ProLift™ lowers the ladder to a fixed height using hook brackets for secure holding.
- The Max-Drop ProLift™ lowers the ladder to a fixed height with a secondary drop for a more ergonomic loading height.



		MAVERICK 4.5' BED	4' RACK 4'6" – 5'5" BEDS	4' RACK 5'6" – 6'1" BEDS	5' RACK 6'2" – 6'10" BEDS	6' RACK 8+' BEDS	
STANDARD DROP FULL KIT	Passenger Side ProLift	PLS61LTMAV	PLS61LT4	PLS61LT4	PLS61LT5	PLS61LT6	
	Dual Side ProLift	PLS63LTMAV	PLS63LT4	PLS63LT4	PLS63LT5	PLS63LT6	
	Combo ProLift & Grip-Lock	-	-	-	PLS64LT5	-	
	Combo ProLift & HD Utility	-	-	-	PLS65LT5	-	
MAX-DROP FULL KIT	Passenger Side ProLift	PLM61LTMAV	PLM61LT4	PLM61LT4	PLM61LT5	PLM61LT6	
	Dual Side ProLift	PLS63LTMAV	PLM63LT4	PLM63LT4	PLM63LT5	PLM63LT6	
	Combo ProLift & Grip-Lock	-	-	-	-	-	
	Combo ProLift & HD Utility	-	-	-	-	-	
BUILD YOUR OWN PROLIFT LADDER RACK	STEP 1:	Crossbars	2BARTOPW	2BARTOPW	2BARTOPW	2BARTOPW	2BARTOPW
	STEP 2:	Roof Rail Kit ¹	RRKTOP55	RRKTOP58	RRKTOP67	RRKTOP74	RRKTOP96
		Roof Rail Kit For Unicover ¹	RRKTOP55UC	RRKTOP58UC	RRKTOP67UC	RRKTOP74UC	RRKTOP96UC
	STEP 3:	Mounting Kit	MAVRMBK4W	URMBK4W	URMBK4W	URMBK4W	URMBK4W
	STEP 4:	Standard-Drop ProLift Kit					
		Driver Side	PLSDDSLT4W	PLSDDSLT4W	PLSDDSLT4W	PLSDDSLT5W	PLSDDSLT6W
		Passenger Side	PLSDPSLT4W	PLSDPSLT4W	PLSDPSLT4W	PLSDPSLT5W	PLSDPSLT6W
		Step Ladder Kit	-	-	-	PLSLKCW	PLSLKSW
		Max-Drop ProLift Kit (Attached Handle)					
	Driver Side	PLMDPSLT4W	PLMDDSLT4W	PLMDDSLT4W	PLMDDSLT5W	PLMDDSLT6W	
	Passenger Side	PLMDDSLT4W	PLMDPSLT4W	PLMDPSLT4W	PLMDPSLT5W	PLMDPSLT6W	
	Step Ladder Kit	-	-	-	-	PLSLKMW	
		Max-Drop ProLift Kit (Removable Handle)					
	Driver Side	PLMDDSM4W	PLMDDSM4W	PLMDDSM4W	PLMDDSM5W	PLMDDSM6W	
	Passenger Side	PLMDPSMT4W	PLMDPSMT4W	PLMDPSMT4W	PLMDPSMT5W	PLMDPSMT6W	
	Step Ladder Kit	-	-	-	-	PLSLKMW	

¹ Roof Rail Kit is only needed if installing on a Non-Adrian Steel Truck Cap. (ARE, LEER, UniCover, etc.)



Scan to find your local distributor to build the best upfit solution for your business!

Questions?
Contact Us!

AdrianSteel.com
800.677.2726

GRIP-LOCK™ TRUCK CAP LADDER RACK

STOW & ACCESS YOUR LADDERS QUICKLY AND SAFELY.

Securing ladders to your truck shouldn't be a hassle. We've taken our popular van Grip-Lock ladder racks and built them to support trucks. With an easy one-handed operation, you can secure your ladder tightly in place without the headache of bungee cords. Bumpy roads and sharp turns won't move it an inch! And when you need it, it's just as easy to take your ladder down and get to work.

SIMPLE 3 STEP OPERATION



RELEASE HANDLE



LIFT LADDER OVER SIDE RAIL



REMOVE LADDER FROM RACK

1

CORROSION RESISTANT

All components are aluminum with a plastisol or powder-coat finish to withstand the elements and help prevent rust.

2

LOCKABLE ATTACHED HANDLE

Pad-Lock capable to prevent theft.

3

LOAD ASSIST BRACKET

Integrated resting and rotational point to assist in loading and unloading ladders.

4

RUGGED WEAR STRIPS

Protects and helps increase the life of your ladders.

5

ADJUSTABLE CLAMP PADS

Get a snug fit on any ladder with just a half inch wrench or ratchet/socket.

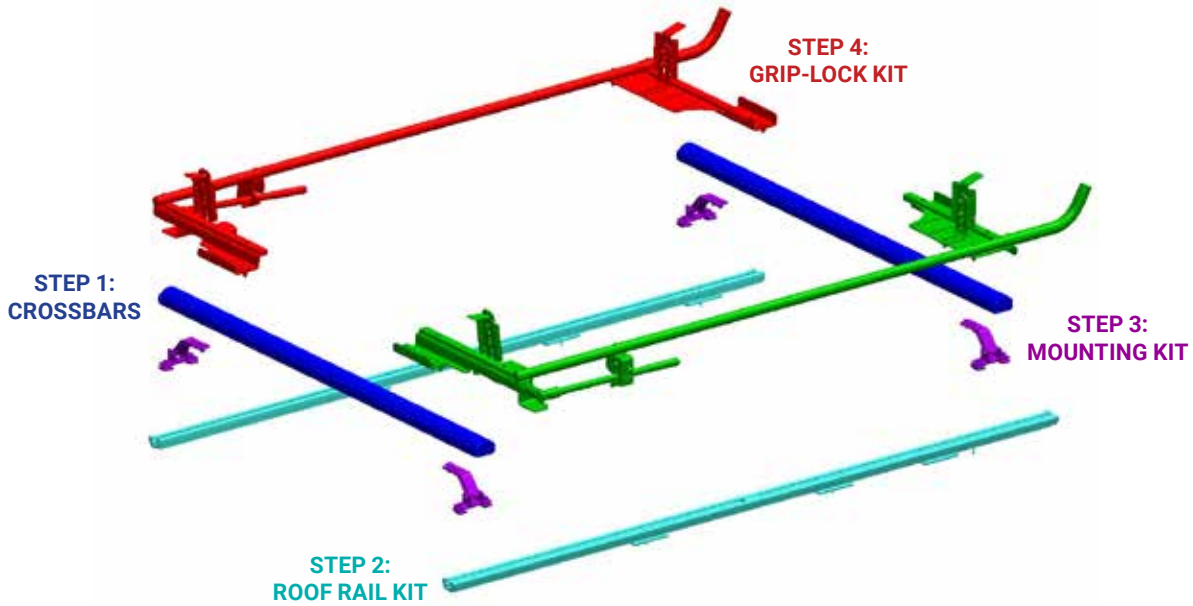
6

LADDER GUIDE / TRUCK GUARD

Help guide the ladder into the front load assist bracket while also preventing damage to the van from the ladder.



GRIP-LOCK™



		MAVERICK 4.5' BED	4' RACK 4'6" - 5'5" BEDS	4' RACK 5'6" - 6'1" BEDS	5' RACK 6'2" - 6'10" BEDS	6' RACK 8+' BEDS	
GRIP-LOCK FULL KIT	Passenger Side Grip-Lock	GL61LTMAV	GL61LT4	GL61LT4	GL61LT5	GL61LT6	
	Dual Side Grip-Lock	GL63LTMAV	GL63LT4	GL63LT4	GL63LT5	GL63LT6	
	Combo ProLift & Grip-Lock	-	-	-	PLS64LT5	-	
BUILD YOUR OWN LADDER RACK	STEP 1: Crossbars	2BARTOPW	2BARTOPW	2BARTOPW	2BARTOPW	2BARTOPW	
	STEP 2: Roof Rail Kit ¹	RRKTOP55	RRKTOP58	RRKTOP67	RRKTOP74	RRKTOP96	
	STEP 2: Roof Rail Kit For Unicover ¹	RRKTOP55UC	RRKTOP58UC	RRKTOP67UC	RRKTOP74UC	RRKTOP96UC	
	STEP 3: Mounting Kit	MAVRMBK4W	URMBK4W	URMBK4W	URMBK4W	URMBK4W	
	STEP 4: Grip-Lock Kit	Driver Side	GL-TOPDS	GL-TOPDS	GL-TOPDS	GL-CVDS	GL-FSVDS
		Passenger Side	GL-TOPPS	GL-TOPPS	GL-TOPPS	GL-CVPS	GL-FSVPS
	Step Ladder Kit	-	SLKTOPW	SLKTOPW	GL-SLKCVW	GL-SLKFSVW	

¹ Roof Rail Kit is only needed if installing on a Non-Adrian Steel Truck Cap. (ARE, LEER, UniCover, etc.)

LADDER COMPATIBILITY	BED LENGTH	RACK SIZE	WHAT FITS?
	4.6" - 6'1"	4'	Extension: 16'-28' Step Ladder: 6'-10'
	6'2" - 6'10"	5'	Extension: 16'-28' Step Ladder: 6'-10'
	8'+	6'	Extension: 16'-32' Step Ladder: 8'-12'



Scan to find your local distributor to build the best upfit solution for your business!

Questions?
Contact Us!

AdrianSteel.com
800.677.2726

HD-UTILITY™ TRUCK RACK

WHERE SMART DESIGN MEETS CARGO HAULING

It's smartly designed to make hauling cargo easier. It's low, aerodynamic, and lightweight yet tough. With its simple, corrosion-resistant construction, stainless steel hardware, and durable powder coat finish, it can handle heavy use and last for years. Perfect for drivers who need to carry a variety of cargo like multiple ladders, lumber, scaffolding, doors, or conduit that won't fit inside their truck bed.

1

MINIMALISTIC DESIGN

Sleek, low-profile for great looking integration on any vehicle and was specifically designed and tested to minimize wind noise.

2

SAFE, SECURE LOADING

Multiple integrated tie-down points come standard for quick and safe transportation.

3

INDUSTRY-LEADING CUSTOMIZATION

Profile™ Crossbars have built-in channels for adding Ladder Stops, Rear Roller Assist, Built-In Ratchets, Conduit Kits and additional accessories.

4

RUGGED WEAR STRIPS

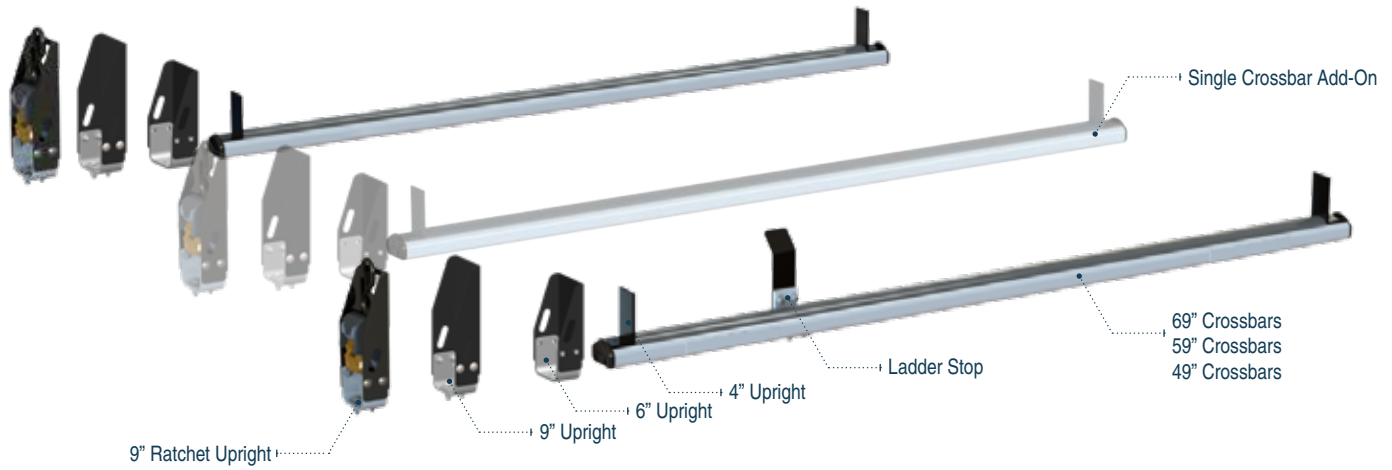
Protects and helps increase the life of your ladders.

5

300LB. LOAD CAPACITY

3" x 1.5" Heavy Duty, reinforced extruded aluminum crossbars are tested to support up to 150 lbs. per crossbar for maximum loading capacity. (Always follow OEM weight rating standards for safest loading capacity)





FITMENT GUIDE

		CROSSBAR		MOUNTING KIT		
		2-PACK	SINGLE	4-PACK	2-PACK	
TRUCK CAPS	MAVERICK 4.5' BED	All Black	2BARTOPB	1BARTOPB	URMBK4B	URMBK2B
		White	2BARTOPW	1BARTOPW	URMBK4W	URMBK2W
	4'6" - 6'1" BEDS	All Black	2BARCB	1BARCB	URMBK4B	URMBK2B
		White	2BARCW	1BARCW	URMBK4W	URMBK2W
	6'2" - 6'10" BEDS	All Black	2BARCB	1BARCB	URMBK4B	URMBK2B
		White	2BARCW	1BARCW	URMBK4W	URMBK2W
8"+ BEDS	All Black	2BARCB	1BARCB	URMBK4B	URMBK2B	
	White	2BARCW	1BARCW	URMBK4W	URMBK2W	
OPEN BEDS	MID-SIZE	All Black	2BARCB	1BARCB	MSPUMBKB	-
	FULL-SIZE	All Black	2BARB	1BARB	FSPUMBKB	-
	SUPER-DUTY	All Black	2BARB	1BARB	SDPUMBKB	-

		4-PACK	2-PACK	SINGLE	
ALL UTILITY RACKS	4" UPRIGHTS	All Black	4UPK4AB	4UPK2AB	-
		White	4UPK4B	4UPK2B	-
	6" UPRIGHTS	All Black	6UPK4AB	6UPK2AB	-
		White	6UPK4B	6UPK2B	-
	9" UPRIGHTS	All Black	9UPK4AB	9UPK2AB	-
		White	9UPK4B	9UPK2B	-
	9" RATCHET UPRIGHTS	All Black	-	-	RSK1AB
		White	-	-	RSK1B
	LADDER STOP	All Black	-	-	ULSKAB
		White	-	-	ULSKB



Scan to find your local distributor to build the best upfit solution for your business!

Questions?
Contact Us!

AdrianSteel.com
800.677.2726

EXTENDOBED

ADRIAN STEEL

FAST, SAFE & EASY ACCESS

**BRINGING THE INSIDE OF YOUR TRUCK BED
ALL THE WAY OUT.**



BENEFITS

EXTENSION PAST TAILLIGHTS (110%)

- // Complete access to your tools and consumables without reaching or leaning into the truck minimizes your risk of injury.
Increased safety = increased savings (e.g., one back injury may cost up to \$50,000 in a worker's comp claim).
- // Full extension provides you with greater side access on the slide out.
Other slide outs can still be up to 8" – 12" inside the truck/van bed even at 100% extension, reducing side access.

COMMERCIAL GRADE CONSTRUCTION

- // A fully welded steel frame provides for increased load capacity of 1,200 lbs.
- // Ease of use with 2 3/8" high-capacity roller bearings.
- // Simple 4-bolt/bracket installation
- // 20 Year Warranty

INCREASED JOB SITE EFFICIENCY

- // Shelving and accessories attached to the deck of the slide out are available to get work crews on/off job sites quicker.
- // Organized supplies and tools means no more wasted trips back to the warehouse to get items that are on the truck/van but can't be easily found.



VEHICLE PLATFORM	BED LENGTH	EXTENDEDBED
F-150/LIGHTNING	5.5'	EBL1260
	6.5'	EBL1272
	8'	EB1590
F-250/350	6.75'	EBL1272
	8'	EB1590
RANGER	5'	coming Q4
MAVERICK	4.5'	EBL1048
SILVERADO/SIERRA 1500	6.5'	EBL1272*
	8'	EB1590
SILVERADO/SIERRA 2500/3500	6.75'	EBL1272*
	8'	EB1590*
COLORADO	5"	coming Q4
RAM 1500	6.3'	EBL1270
	8'	EB1590
RAM 2500/3500	6.3'	EBL1270
	8'	EB1590
NISSAN FRONTIER	6'	coming Q4

* Must order HDW71974 Riser Kit for proper functionality.

QUICK ROI!

A PEST CONTROL COMPANY DETERMINED THAT EACH VEHICLE CAN SERVICE APPROXIMATELY 20 MORE CLIENTS PER MONTH WITH EXTENDEDBED.

\$80 SERVICE FEE PER CLIENT
X 20 CLIENTS PER MONTH

= \$1,600 ADDITIONAL
REVENUE PER MONTH/PER VEHICLE

\$1,600 X 12 MONTHS
= \$19,200 ADDITIONAL
REVENUE PER VEHICLE



Scan to find your local distributor to build the best upfit solution for your business!

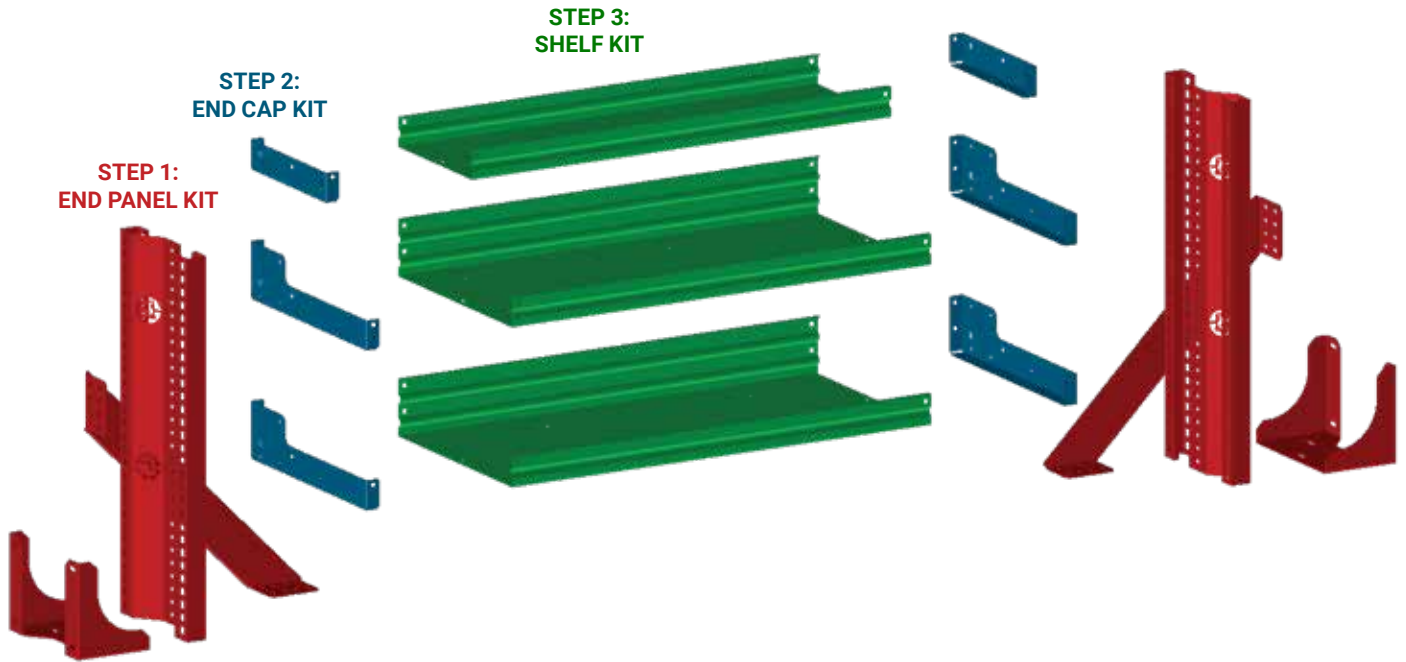
Questions?
Contact Us!

AdrianSteel.com
800.677.2726

EXTENDED BED SHELVING

MAXIMIZE THE STORAGE CAPACITY OF YOUR TRUCK BED

Unleash the full potential of your Extendedbed with our cutting-edge Truck Shelving system, expertly designed to stand freely on your Extendedbed platform. Say goodbye to space constraints and hello to increased carrying capacity, allowing you to transport more of what matters most. Engineered for resilience, our slides handle uneven weight better, offering you unparalleled flexibility without the worry of strict weight distribution. Revolutionize your storage solution with Extendedbed Truck Shelving – combining robust storage capacity with the easiest access you can get.



				BUILD YOUR OWN TRUCK CAP		
				STEP 1	STEP 2	STEP 3
LENGTH	DEPTH	HEIGHT	FULL SHELF UNIT	END PANEL KIT (PEPK)	END CAP KIT (PECK)	SHELF KIT (PSFK)
36"	16"	30"	PTSU2T163630A3	PEPKT1030G	PECKT2T16A3 ³	PSFKT2T1636G3 ³
					PECKT2T16A1 ¹	
48"	16"	30"	PTSU2T164830A3	PEPKT1030G	PECKT2T16A3 ³	PSFKT2T1648G3 ³
					PECKT2T16A1 ¹	PSFK2T1648G1 ¹
60"	16"	30"	PTSU2T166030A3	PEPKT1030G	PECKT2T16A3 ³	PSFKT2T1660G3 ³
					PECKT2T16A1 ¹	
72"	16"	-	-	PEPKT1030G	PECKT2T16A3 ³	PSFK2T1672G1 ¹
					PECKT2T16A1 ¹	

¹ Single Pack, ³ 3-Pack



PURPOSE BUILT FOR TRUCKS

- // The only shelving designed to work in the bed of the truck on a sliding platform.
- // No cutting or modification required.
- // Designed to be free-standing on Extendobed.

MODULAR DESIGN

- // Configure the space between shelves for better customization.

TESTED TOUGHNESS

- // Strength-to-weight ratio of 50lbs matches/exceeds competitors. 50 lbs. capacity per 12" of shelf width.

STREAMLINED INSTALLATION

- // Fewer parts with standard fasteners.



Scan to find your local distributor to build the best upfit solution for your business!

Questions?
Contact Us!

AdrianSteel.com
800.677.2726

HVAC UPFIT SOLUTION

*Adrian Truck Cap and Extendobed are not included in package.

HVAC-EBP72

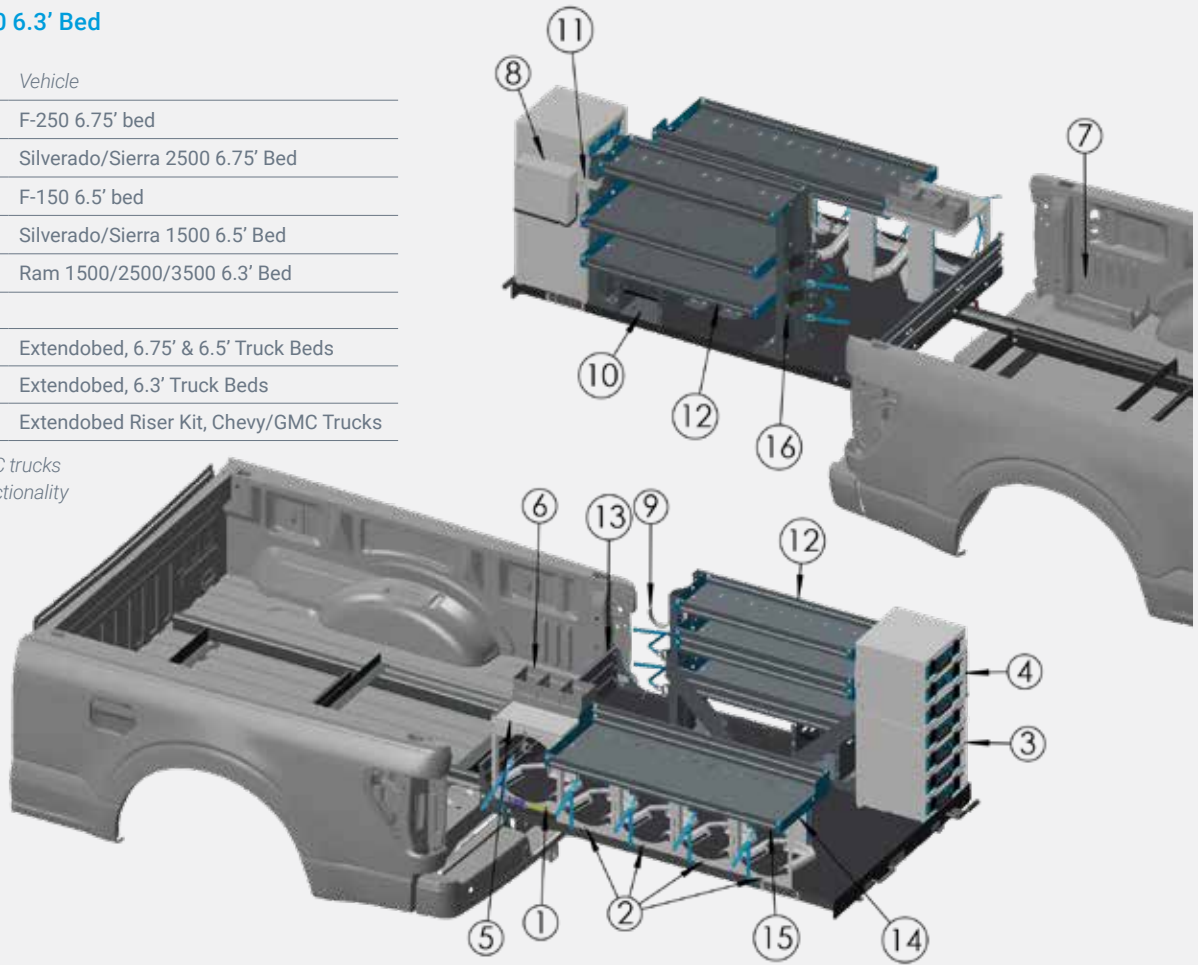
Ford F-250, Chevy Silverado/Sierra 2500 6.75' Beds

Ford F-150, Chevy Silverado/Sierra 1500 6.5' Beds

Ram 1500/2500/3500 6.3' Bed

Adrian Truck Cap Part #	Vehicle
TFKFDT280HM26W	F-250 6.75' bed
TFKGMT280HM26W	Silverado/Sierra 2500 6.75' Bed
TFKFDT178HM23W	F-150 6.5' bed
TFKGMT178HM23W	Silverado/Sierra 1500 6.5' Bed
TFKRAM175HM23W	Ram 1500/2500/3500 6.3' Bed
Extendobed Part #	
EBL1272	Extendobed, 6.75' & 6.5' Truck Beds
EBL1270	Extendobed, 6.3' Truck Beds
HDW71974*	Extendobed Riser Kit, Chevy/GMC Trucks

* Required on Chevy & GMC trucks for proper Extendobed functionality



HVAC INTEGRATED SOLUTION

6.75' 6.5' & 6.3' BED

HVAC-EBP72

Item	Part #	Description	Qty
1	150TR	Tank Rack, 50lb. (1)	1
2	130TR	Tank Rack, 30lb. (1)	4
3	CHPPC4S	4-Case Holder w/ Cases	1
4	CHPPC3S	3-Case Holder w/ Cases	1
5	TRSHLF50	50 lb. Tank Rack Shelf	1
6	66206	14" Solvent Tray	1
7	VPH1	Vacuum Pump Holder	1
8	GC1	HVAC Gauge Cover	1
9	UH50	Utility Hook, 5"	1
10	WRH3	Wire Reel Holder, 6"-12" Reels	1

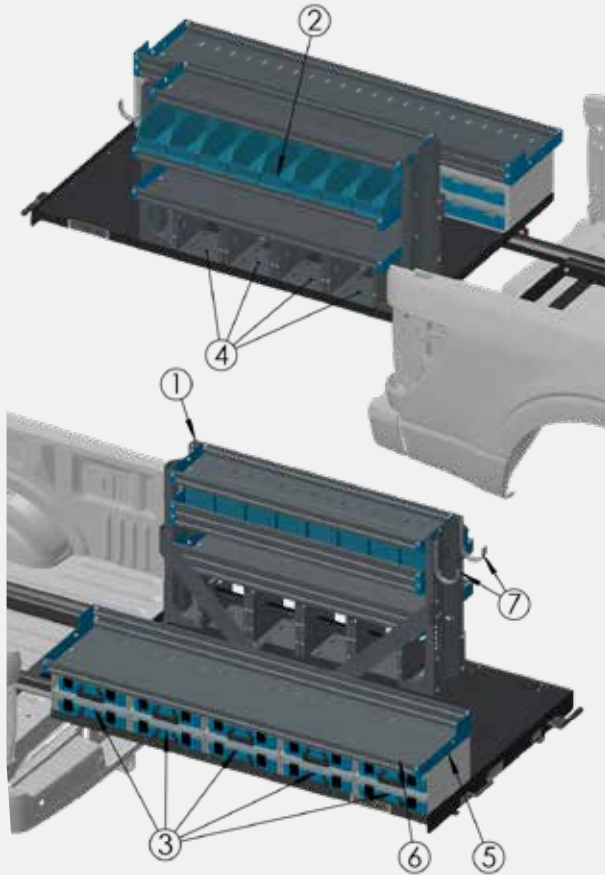
Item	Part #	Description	Qty
11	72665	Mounting Hardware, CHPP	1
12	PTSU2T163630A3	3-Shelf Unit, 36"W x 16"D x 30"H	1
13	EBLBPk4808	Extendobed Back Plate	1
14	PECKT2T16A1	End Cap Kit	1
15	PSFK2T1648G1	48" Shelf Kit, Single	1
16	1NTR	Nitrogen Tank Holder	1
17	BAGEBLMNT	Mounting Hardware, Shelving to EBL	1
18	BAGPEPACMNT4	Mounting Hardware, End Panel	1
19	03927-2	Extendobed Spacer	4

*Adrian Truck Cap and Extendobed are not included in package.

ELECTRICAL UPFIT SOLUTION

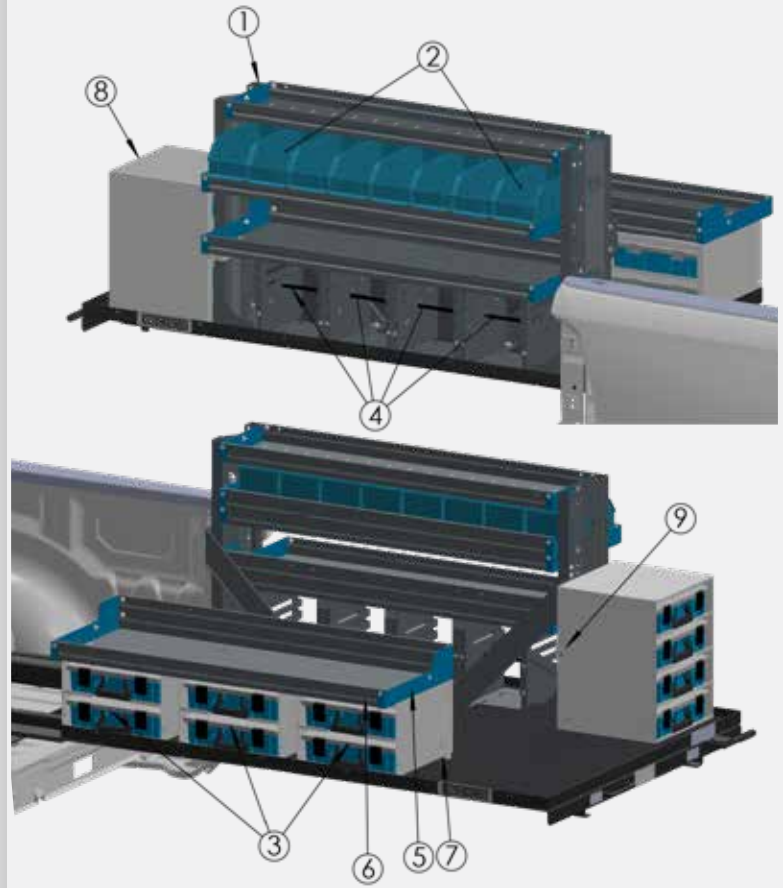
ELE-EBP72

Ford F-350, Chevy Silverado/Sierra 3500 6.75' Beds
 Ford F-250, Chevy Silverado/Sierra 2500 6.75' Beds
 Ford F-150, Chevy Silverado/Sierra 1500 6.5' Beds



ELE-EBP70

Ram 1500/2500/3500 6.3' Bed



*Adrian Truck Cap and Extendedobed are not included in package.

ELECTRICAL INTEGRATED SOLUTION 6.75' & 6.5' BED

ELE-EBP72

Item	Part #	Description	Qty
1	PTSU2T164830A3	3-Shelf Unit, 48"W x 16"D x 30"H	1
2	SBIN060614	6" Portable Bin	8
3	CHPPC2S	2-Case Holder w/ Cases	5
4	WRH3	Wire Reel Holder, 6"-12" Reels	4
5	PECKT2T16A1	End Cap Kit	1
6	PSFK2T1672G1	72" Shelf Kit, Single	1
7	UH50	Utility Hook, 5"	2
8	BAGEBLMNT	Mounting Hardware, Shelving to EBL	2
9	BAGPEPACCMNT4	Mounting Hardware, End Panel	1
10	03927-2	Extendedobed Spacer	20

ELECTRICAL INTEGRATED SOLUTION 6.3' BED

ELE-EBP70

Item	Part #	Description	Qty
1	PTSU2T164830A3	3-Shelf Unit, 48"W x 16"D x 30"H	1
2	SBIN060614	6" Portable Bin	8
3	CHPPC2S	2-Case Holder w/ Cases	3
4	WRH3	Wire Reel Holder, 6"-12" Reels	4
5	PECKT2T16A1	End Cap Kit	1
6	PSFK2T1648G1	48" Shelf Kit, Single	1
7	03927-2	Extendedobed Spacer	12
8	CHPPC4S	4-Case Holder w/ Cases	1
9	72665	Mounting Hardware, CHPP	1
10	BAGEBLMNT	Mounting Hardware, Shelving to EBL	2

*Adrian Truck Cap and Extendedobed are not included in package.



Scan to find your local distributor to build the best upfit solution for your business!

Questions?
 Contact Us!

AdrianSteel.com
 800.677.2726

STATIC TRUCK SHELVING UNITS

SHELVING OPTIONS TO SUPPORT THE CARGO YOU NEED TO CARRY.

Not intended to be used with Extendedbed slide out.



3-Shelf Unit, 24"W x 12"D x 36"H
PART # - KD123624C



3-Shelf Unit, 36"W x 14"D x 36"H
PART # - KD143636B



3-Shelf Unit, 42"W x 14"D x 36"H
PART # - KD143642B



3-Shelf Unit, 52"W x 14"D x 36"H
PART # - KD143652B



3-Shelf Unit, 30"W x 12"D x 36"H
PART # - MD522B



3-Shelf Unit, 36"W x 12"D x 36"H
PART # - MD523B



3-Shelf Unit, 42"W x 12"D x 36"H
PART # - MD524B



DV12 - 12" Shelf Divider
DV14 - 14" Shelf Divider



CARGO ACCESSORIES

PRODUCTS DESIGNED TO TAILOR YOUR UPFIT TO SUPPORT EXACTLY WHAT YOU CARRY AND HOW YOU WORK.



PORTABLE STORAGE

Part #	Description
CHPPC2S	2-Case Holder w/ Cases
CHPPC3S	3-Case Holder w/ Cases
CHPPC4S	4-Case Holder w/ Cases
SBIN060614	Portable Bin, 6"
SBIN120614	Portable Bin, 12"
SBIN120418	Portable Bin Tray, 18"
BC2S1L	3-Bin Cabinet w/ Bins



DRAWER STORAGE

Part #	Description
9	4-Drawer Unit w/ Lock
19	2-Drawer Unit w/ Lock
919	3-Drawer Unit w/ Lock
DC6	3-Drawer Unit, 6"
DC12	3-Drawer Unit, 12"



HANGING STORAGE

Part #	Description
UH25	Utility Hook, 2.5"
UH50	Utility Hook, 5"
HOSEHLDR	Hose Holder
CORDHLDR	Cord Holder
GC1	HVAC Gauge Cover



TANK STORAGE

Part #	Description
130TR	30 lb. Tank Rack, (1)
130TRV	30 lb. Vertical Tank Rack, (1)
230TR	30 lb. Tank Rack, (2)
330TR	30 lb. Tank Rack, (3)
430TR	30 lb. Tank Rack, (4)
150TR	50 lb. Tank Rack, (1)
150TRV	50 lb. Vertical Tank Rack, (1)
250TR	50 lb. Tank Rack, (2)
350TR	50 lb. Tank Rack, (3)
TRSHELF50	50 lb. Tank Rack Shelf
130150TR	30/50 lb. Tank Rack, (1-30, 1-50)
130250TR	30/50 lb. Tank Rack, (1-30, 2-50)
230150TR	30/50 lb. Tank Rack, (2-30, 1-50)
1ACTR	Acetylene Tank Holder (1)
2ACTR	Acetylene Tank Holder (2)
1TR	B-Tank Holder (1)
1NTR	Nitrogen Tank Holder (1)



WIRE & DRILL BIT STORAGE

Part #	Description
WRH1	1-Bar Spool Holder
WRH3	3-Bar Spool Holder
WRH5	5-Bar Spool Holder
DBH212	Drill Bit Holder, (2) 12"
DBH112218	Drill Bit Holder, (1) 12" (1) 18"
LSDBH1466	Ladder Shelf w/ Drill Bit Tray



MISCELLANEOUS STORAGE

Part #	Description
CHS2-5	2-Slot Caulk Holder
CHS4-8	4-Slot Caulk Holder
CHS5	5-Slot Caulk Holder
CHS6-15	6-Slot Caulk Holder
ACH2-5	2-Slot Aerosol Can Holder
ACH3-8	3-Slot Aerosol Can Holder
ACH4-10	4-Slot Aerosol Can Holder
VPH1	Vacuum Pump Holder
66206	Solvent Tray, 14"
44264-B	Ladder Hook
66241	Charger Mount



Scan to find your local distributor to build the best upfit solution for your business!

Questions?
Contact Us!

AdrianSteel.com
800.677.2726

LOAD RUNNER TRUCK RACK

THE PERFECT COMBINATION OF STRENGTH, DURABILITY AND FLEXIBILITY.

Features two-inch high-strength round tubing, a removable rear crossbar that allows tall items to be carried in the truck bed and convenient tie-down cleats to help secure loads on top or in the truck bed.



FLEXIBLE HAULING

- 1 The center and rear crossbars can be removed to allow tall items or pallets to be loaded and carried in the truck bed.

CONVENIENT TIE DOWN POINTS

- 2 Each vertical has a welded tie down cleat to secure loads to the rack.

MAXIMUM LOAD RATING

- 3 Constructed with high-strength 2" round tubing the Load Runner is rated for the maximum load allowed by truck manufacturers.





SERVICE BODIES

The standard rack fits 8' service bodies with either a regular cab truck or an extended cab truck.

The Service Body Load Runner is universally designed to accommodate single and dual wheel chassis. Bodies that are 9' long will require the SBE9 that adds one foot of length to the standard rack. 11' long bodies will require the SBE11.

	BED SIZE	REGULAR CAB	EXTENDED CAB
SERVICE BODIES	8'	SBLR-8FR	SBLR-8FE
	9'	SBLR-8FR + SBE9	SBLR-8FE + SBE9
	11'	SBLR-8FR + SBE11	SBLR-8FE + SBE11

FITTING GUIDE

	VEHICLE	BED SIZE	REGULAR CAB	EXTENDED CAB
FORD	F-150	6.4'	SLR-6FR	SLR-6FE
		8'	SLR-8FR	SLR-8FE
	F-250/350/450 Super Duty	6.75'	SLR-6FRS	SLR-6FES
CHEVY/GMC		8'	SLR-8FRS	SLR-8FES
	Silverado / Sierra 1500	6.4'	SLR-6FR	SLR-6FE
		8'	SLR-8FR	SLR-8FE
	Silverado / Sierra 2500, 3500 w/ Shark-fin Antenna	6.75'	SLR-6FRP	SLR-6FEP
		8'	SLR-8FRP	SLR-8FEP
DODGE	Silverado / Sierra 2500/3500 HD	6.75'	SLR-6FR	SLR-6FE
		8'	SLR-8FR	SLR-8FE
	RAM 1500	6.3'	SLR-6FR	SLR-6FE
		8'	SLR-8FR	SLR-8FE
	RAM 2500/3500 w/ Shark-fin Antenna	6.3'	SLR-6FRP	SLR-6FEP
		8'	SLR-8FRP	SLR-8FEP
	RAM 2500/3500 HD	6.3'	SLR-6FR	SLR-6FE
		8'	SLR-8FR	SLR-8FE



Scan to find your local distributor to build the best upfit solution for your business!

Questions?
Contact Us!

AdrianSteel.com
800.677.2726

CROSSBOXES & SIDEBOXES

BUILT TO BRAVE THE ELEMENTS, GUARD YOUR GEAR, AND OUTLAST THE COMPETITION.

SECURE & WEATHERPROOF

1. Fully welded 3-piece construction for strength & leak protection
2. U-Channel lid design with 4 side rubber gasket coverage
3. Automotive grade push button with locking mechanism
4. Integrated linkage guard for long lasting functionality



EASY OPERATION, DRIVER SAFETY & VEHICLE PROTECTION

1. Heavy duty interior gas struts assist with lid operation
2. Lid(s) open automatically with a push of a button
3. Low profile lids maximize driver visibility though the rear window
4. No-Drill installation preserves the vehicle's value in case of resale



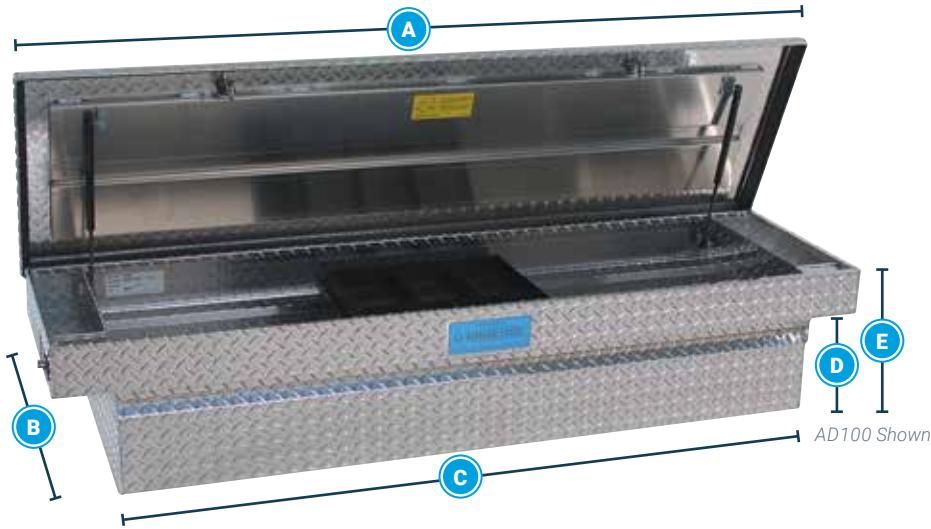
Heavy Duty
Assist Strut

Weatherproof
rubber gaskets

AD200 Shown

Push Button Lock

AD302 Shown



	A	B	C	D	E
AD100	70"	20"	60.5"	8.5"	12.5"
AD101	70"	20"	60.5"	8.5"	17.5"
AD101-2	72"	20"	62.6"	13.3"	17.5"
AD200	70"	20"	60.5"	8.5"	12.5"
AD201	70"	20"	60.5"	8.5"	17.5"
AD250	59"	20"	51"	8.3"	12.5"
AD302	13"	9"	64"	7.5"	12"
AD303	13"	9"	46"	7.5"	12"
AD350	13"	9"	46"	6.8"	11"

CROSS BOX

SIDE BOX



FITTING GUIDE

Vehicle	Bed Length	Single Lid 12.5"H	Single Lid 17.5"H	Double Lid 12.5"H	Double Lid 17.5"H	Single Lid 64"L	Single Lid 46"L	
FORD	Ranger	6'				AD250	AD350	
		7'				AD250	AD350	
	F-150 Styleside Bed	5.5'	AD100		AD200			AD303
		6.5'	AD100	AD101	AD200			AD303
	8'	AD100	AD101			AD302		
F-250/350 Super Duty	6.7'		AD101-2				AD303	
F-250/350/450 Super Duty	8'		AD101-2			AD302		
CHEVROLET / GMC	Colorado / Canyon	5'				AD250	AD303* AD350*	
		6'				AD250	AD302* AD303 AD350	
	Silverado / Sierra 1500	5.5'	AD100				AD302	
		6.5'	AD100	AD101			AD302*	AD303
		8'	AD100	AD101			AD302	
	Silverado / Sierra 2500/3500 HD	6.5'	AD100	AD101				AD303
8'		AD100	AD101			AD302		
DODGE	Dakota	5'					AD350*	
		6.5'					AD350*	
	RAM 1500	5.7'	AD100					AD303
		6'4"	AD100					AD303
		8'	AD100	AD101			AD302	
	RAM 2500/3500 HD	6'	AD100					AD303
8'		AD100	AD101			AD302		
NISSAN	Frontier	5'					AD350*	
		6'					AD350	
	Titan Crew Cab	5.6'						AD350*
		7'						AD350
	Titan King Cab	6.6'						AD350
		8'						AD350
TOYOTA	Tacoma	5'					AD303	
		6'				AD302		
	Tundra	6.5'	AD100	AD101				AD303
		8'	AD100	AD101			AD302	

* Side Box not compatible if cross box is installed.



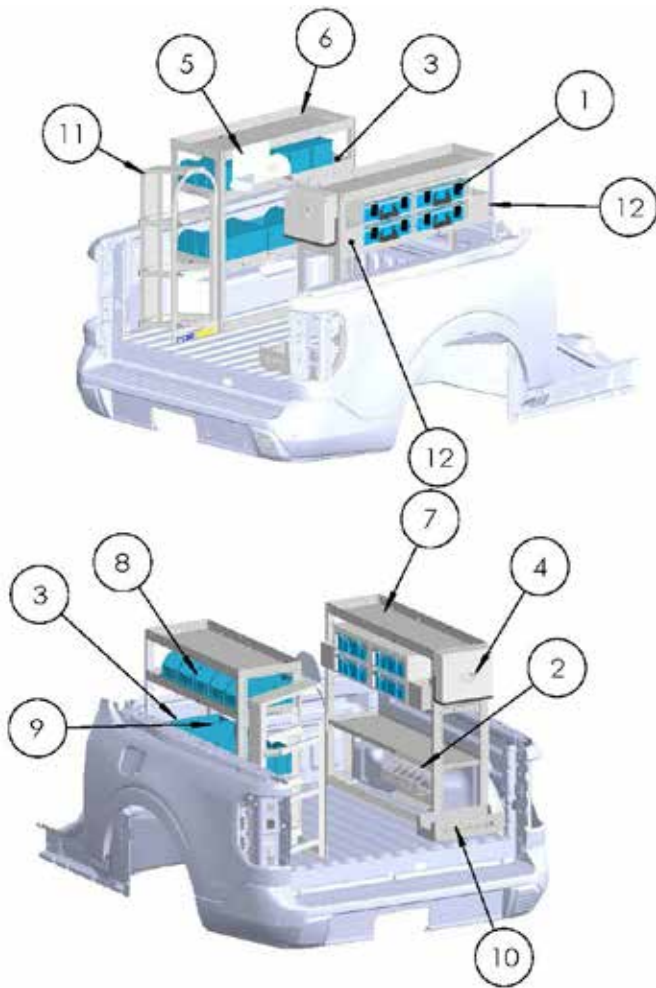
Scan to find your local distributor to build the best upfit solution for your business!

Questions?
Contact Us!

AdrianSteel.com
800.677.2726

MAVERICK - STATIC INDUSTRY PACKAGES

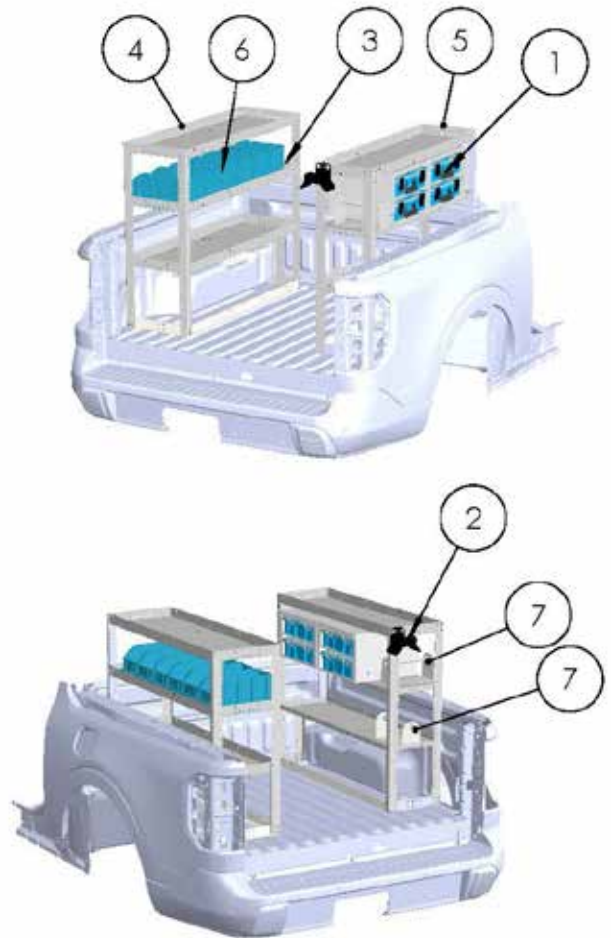
BASE-4TRK - BASE PACKAGE (NOT SHOWN)



HVAC

HVAC-4TRK

Item	Part #	Description	Qty
1	CHPPC2S	2-Case Holder w/ Bins	2
2	CHS5	5-Slot Caulk Holder, 10 oz.	1
3	DV14	14" Shelf Divider	2
4	GC1	HVAC Gauge Cover	1
5	HOSEHLDR	Hose Holder	1
6	KD143636B	3-Shelf Unit, 36"W x 14"D x 36"H	1
7	MD524B	3-Shelf Unit, 42"W x 12"D x 36"H	1
8	SBIN060614	Portable Bin, 6"	6
9	SBIN120614	Portable Bin, 12"	2
10	VPH1	Vacuum Pump Holder	1
11	330TR	EZ Load Tank Rack, (3) 30lbs.	1
12	66206	Solvent Tray, 14"	2



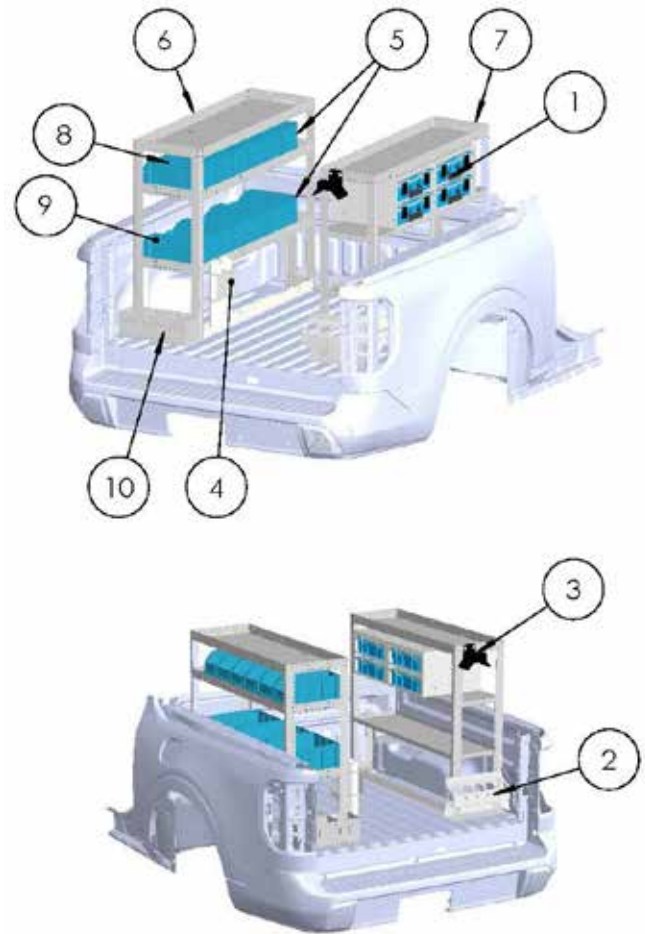
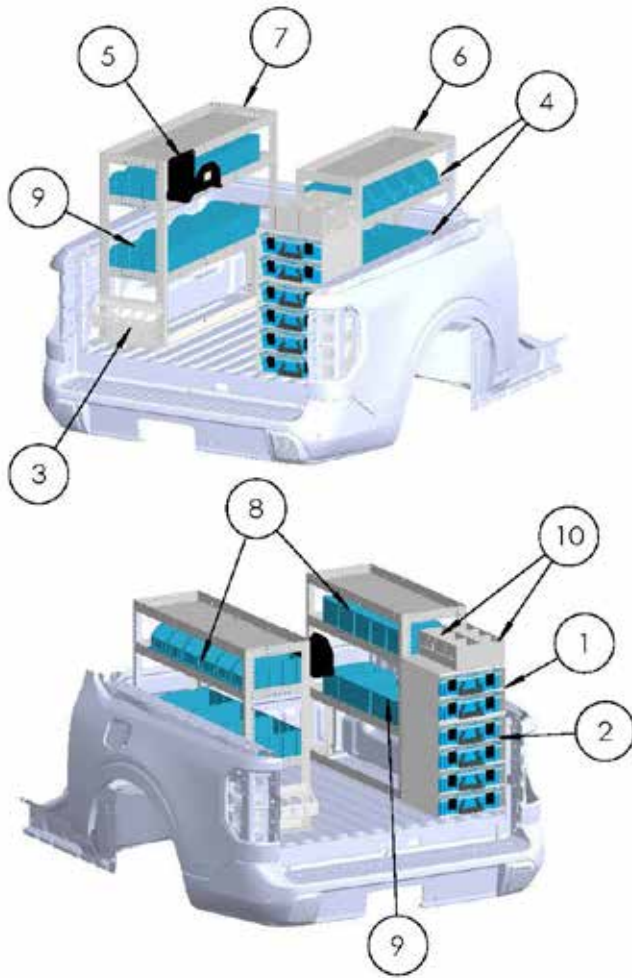
ELECTRICAL CONTRACTOR

ELE-4TRK

Item	Part #	Description	Qty
1	CHPPC2S	2-Case Holder w/ Cases	2
2	CORDHLDR	Cord Holder	1
3	DV14	14" Shelf Divider	1
4	KD143642B	3-Shelf Unit, 42"W x 14"D x 36"H	1
5	MD524B	3-Shelf Unit, 42"W x 12"D x 36"H	1
6	SBIN060614	Portable Bin, 6"	6
7	WRH1	Single Reel Holder	2

Not intended to be used with the EXTENDOBED sliding platform.

MAVERICK - STATIC INDUSTRY PACKAGES



PLUMBING CONTRACTOR

PLBG-4TRK

Item	Part #	Description	Qty
1	CHPPC2S	2-Case Holder w/ Cases	1
2	CHPPC4S	4-Case Holder w/ Cases	1
3	CHS5	5-Slot Caulk Holder, 10 oz.	1
4	DV14	14" Shelf Divider	4
5	HOSEHLDR	Hose Holder	1
6	KD143636B	3-Shelf Unit, 36"W x 14"D x 36"H	1
7	KD143642B	3-Shelf Unit, 42"W x 14"D x 36"H	1
8	SBIN060614	Portable Bin, 6"	12
9	SBIN120614	Portable Bin, 12"	5
10	66206	Solvent Tray, 14"	2

SECURITY CONTRACTOR

SEC-4TRK

Item	Part #	Description	Qty
1	CHPPC2S	2-Case Holder w/ Cases	2
2	CHS5	5-Slot Caulk Holder, 10 oz.	1
3	CORDHLDR	Cord Holder	1
4	DBH212	Drill Bit Holder	1
5	DV14	14" Shelf Divider	2
6	KD143642B	3-Shelf Unit, 42"W x 14"D x 36"H	1
7	MD524B	3-Shelf Unit, 42"W x 12"D x 36"H	1
8	SBIN060614	Portable Bin, 6"	6
9	SBIN120614	Portable Bin, 12"	3
10	66206	Solvent Tray, 14"	1

Not intended to be used with the EXTENDOBED sliding platform.



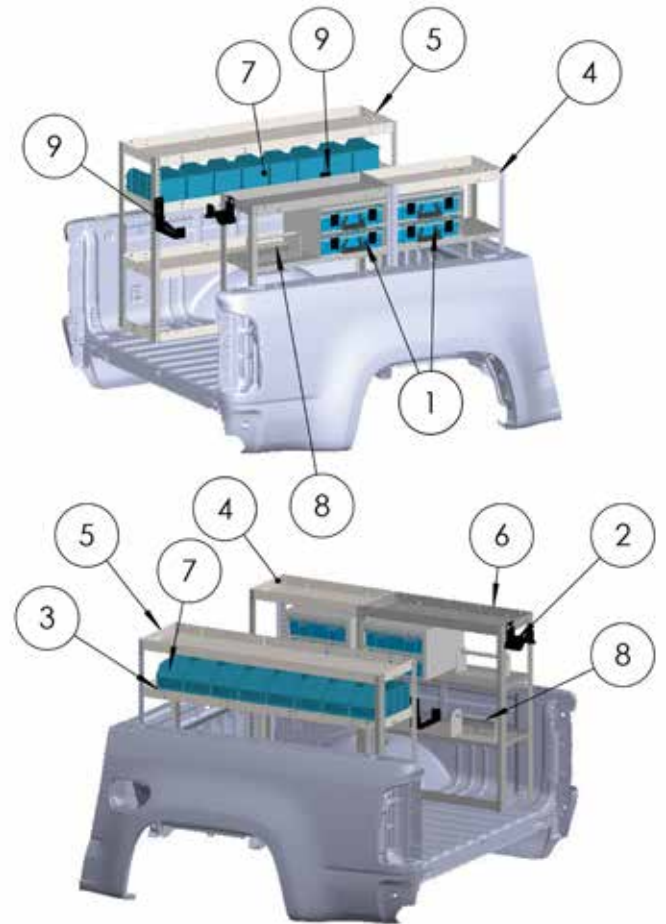
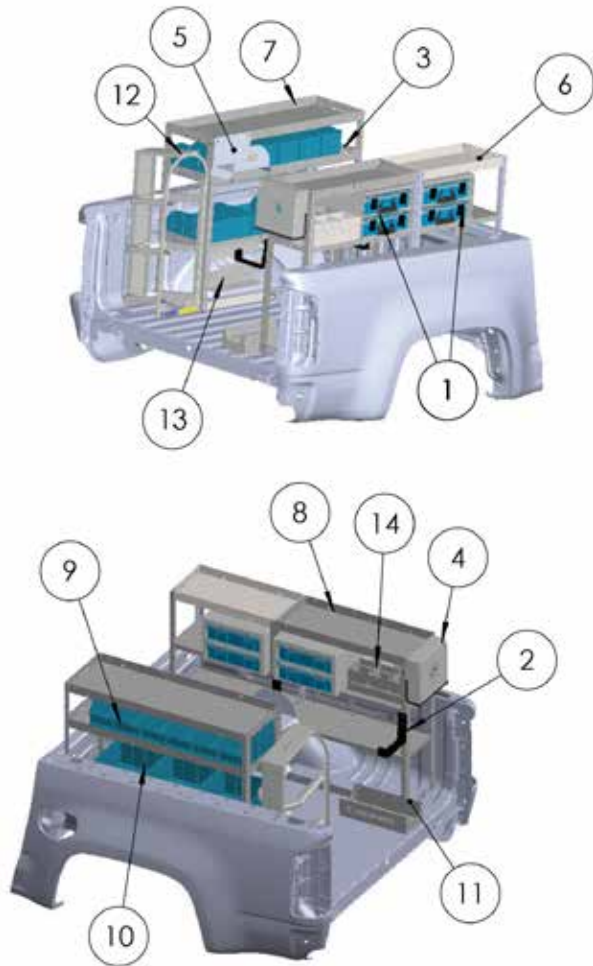
Scan to find your local distributor to build the best upfit solution for your business!

Questions?
Contact Us!

AdrianSteel.com
800.677.2726

5' BED - STATIC INDUSTRY PACKAGES

BASE-5TRK - BASE PACKAGE (NOT SHOWN)



HVAC

HVAC-5TRK

Item	Part #	Description	Qty
1	CHPPC2S	2-Case Holder w/ Bins	2
2	44264-B	Ladder Hook	2
3	DV14	14" Shelf Divider, Single	2
4	GC1	HVAC Gauge Cover	1
5	HOSEHLDR	Hose Holder	1
6	KD123624C	3-Shelf Unit, 24"W x 12"D x 36"H	1
7	KD143642B	3-Shelf Unit, 42"W x 14"D x 36"H	1
8	MD522B	3-Shelf Unit, 36"W x 12"D x 36"H	1
9	SBIN060614	Portable Bin, 6"	6
10	SBIN120614	Portable Bin, 12"	3
11	VPH1	Vacuum Pump Holder	1
12	330TR	EZLoad™ Tank Rack, 30lb. (3)	1
13	CHS5	5-Slot Caulk Holder, 10 oz.	1
14	66206	Solvent Tray, 14"	2

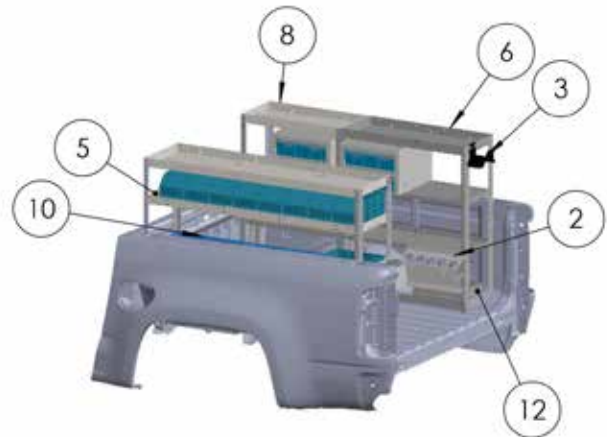
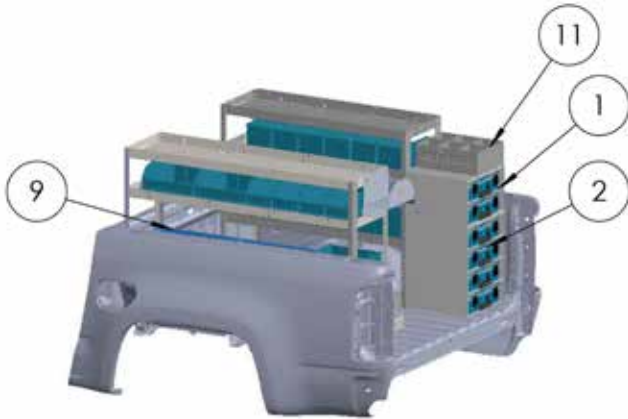
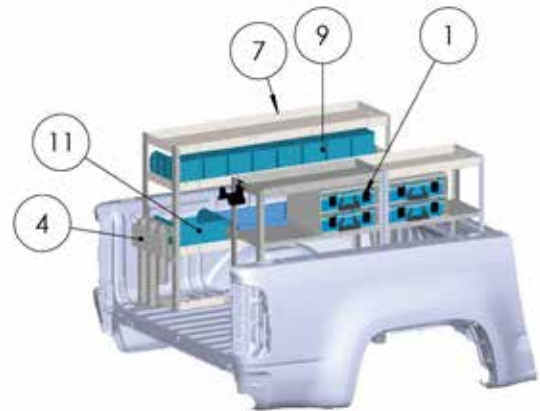
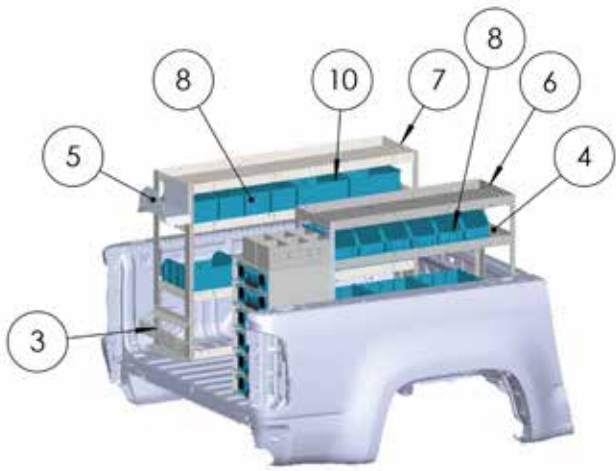
ELECTRICAL CONTRACTOR

ELE-5TRK

Item	Part #	Description	Qty
1	CHPPC2S	2-Case Holder w/ Cases	2
2	CORDHLDR	Cord Holder	1
3	DV14	14" Shelf Divider, Single	1
4	KD123624C	3-Shelf Unit, 24"W x 12"D x 36"H	1
5	KD143652B	3-Shelf Unit, 52"W x 14"D x 36"H	1
6	MD522B	3-Shelf Unit, 36"W x 12"D x 36"H	1
7	SBIN060614	Portable Bin, 6"	8
8	WRH1	Spool Holder	2
9	44264-B	Ladder Hook	2

Not intended to be used with the EXTENDOBED sliding platform.

5' BED - STATIC INDUSTRY PACKAGES



PLUMBING CONTRACTOR

PLBG-5TRK

Item	Part #	Description	Qty
1	CHPPC2S	2-Case Holder w/ Cases	1
2	CHPPC4S	4-Case Holder w/ Cases	1
3	CHS5	5-Slot Caulk Holder, 10 oz.	1
4	DV14	14" Shelf Divider, Single	4
5	HOSEHLDR	Hose Holder	1
6	KD143642B	3-Shelf Unit, 42"W x 14"D x 36"H	1
7	KD143652B	3-Shelf Unit, 52"W x 14"D x 36"H	1
8	SBIN060614	Portable Bin, 6"	10
9	SBIN120418	Portable Bin, 18"	2
10	SBIN120614	Portable Bin, 12"	6
11	66206	Solvent Tray, 14"	2

SECURITY CONTRACTOR

SEC-5TRK

Item	Part #	Description	Qty
1	CHPPC2S	2-Case Holder w/ Cases	2
2	CHS5	5-Slot Caulk Holder, 10 oz.	1
3	CORDHLDR	Cord Holder	1
4	DBH112218	Drill Bit Holder	1
5	DV14	14" Shelf Divider, Single	2
6	KD123624C	3-Shelf Unit, 24"W x 12"D x 36"H	1
7	KD143652B	3-Shelf Unit, 52"W x 14"D x 36"H	1
8	MD522B	3-Shelf Unit, 30 "W x 12"D x 36"H	1
9	SBIN060614	Portable Bin, 6"	8
10	SBIN120418	Portable Bin, 18"	2
11	SBIN120614	Portable Bin, 12"	1
12	66206	Solvent Tray, 14"	1

Not intended to be used with the EXTENDOBED sliding platform.



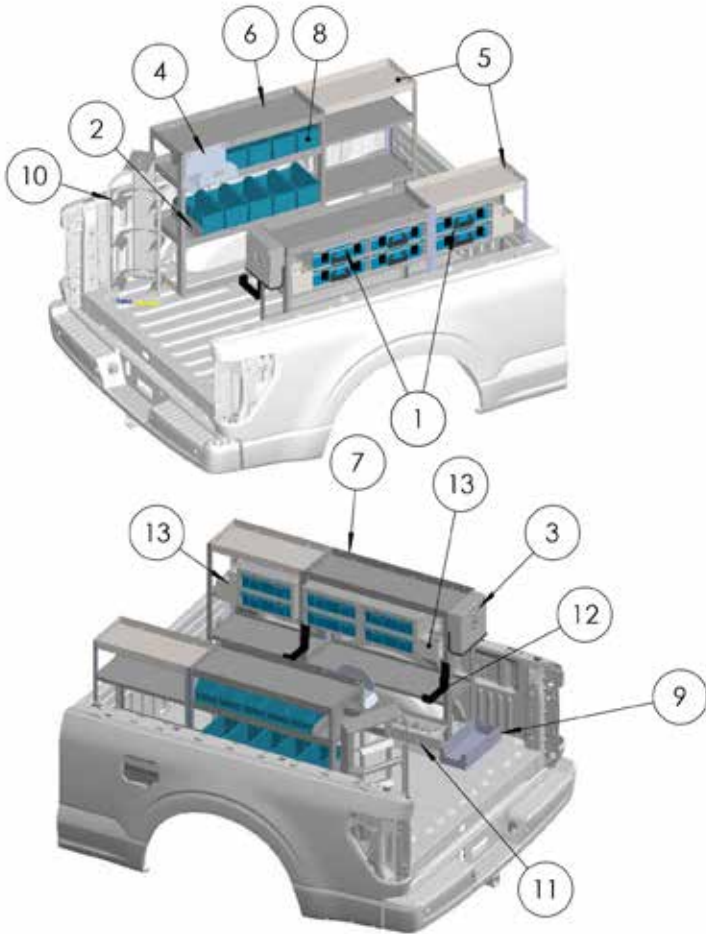
Scan to find your local distributor to build the best upfit solution for your business!

Questions?
Contact Us!

AdrianSteel.com
800.677.2726

6'-8' BED - STATIC INDUSTRY PACKAGES

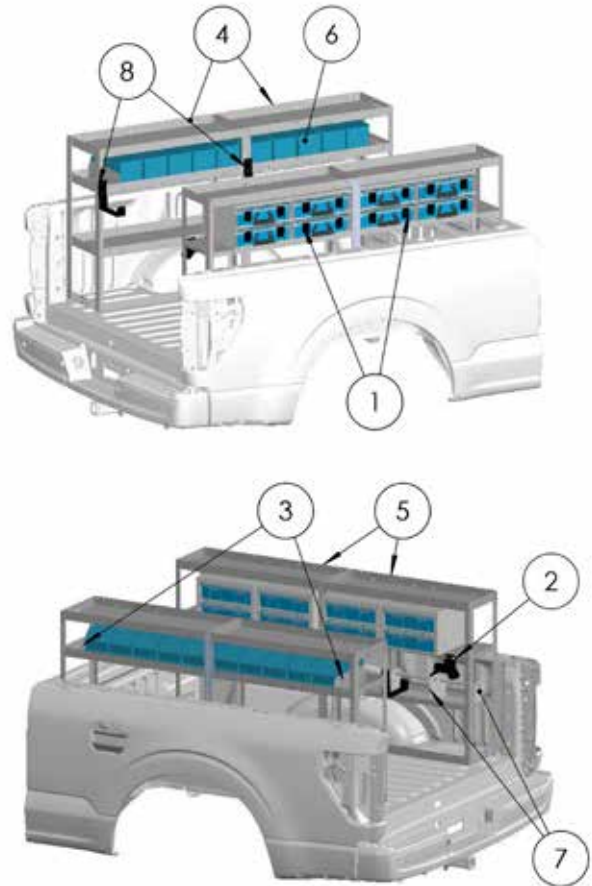
BASE-6TRK - BASE PACKAGE (NOT SHOWN)



HVAC

HVAC-6TRK

Item	Part #	Description	Qty
1	CHPPC2S	2-Case Holder w/ Cases	3
2	DV14	14" Shelf Divider, Single	2
3	GC1	HVAC Gauge Cover	1
4	HOSEHLDR	Hose Holder	1
5	KD123624C	3-Shelf Unit, 24"W x 12"D x 36"H	2
6	KD143636B	3-Shelf Unit, 36"W x 14"D x 36"H	1
7	MD523B	3-Shelf Unit, 36"W x 12"D x 36"H	1
8	SBIN060614	Portable Bin, 6"	10
9	VPH1	Vacuum Pump Holder	1
10	330TR	EZLoad™ Tank Rack, 30lb. (3)	1
11	CHS5	5-Slot Caulk Holder, 10 oz.	1
12	44264-B	Ladder Hook	2
13	66206	Solvent Tray, 14"	2



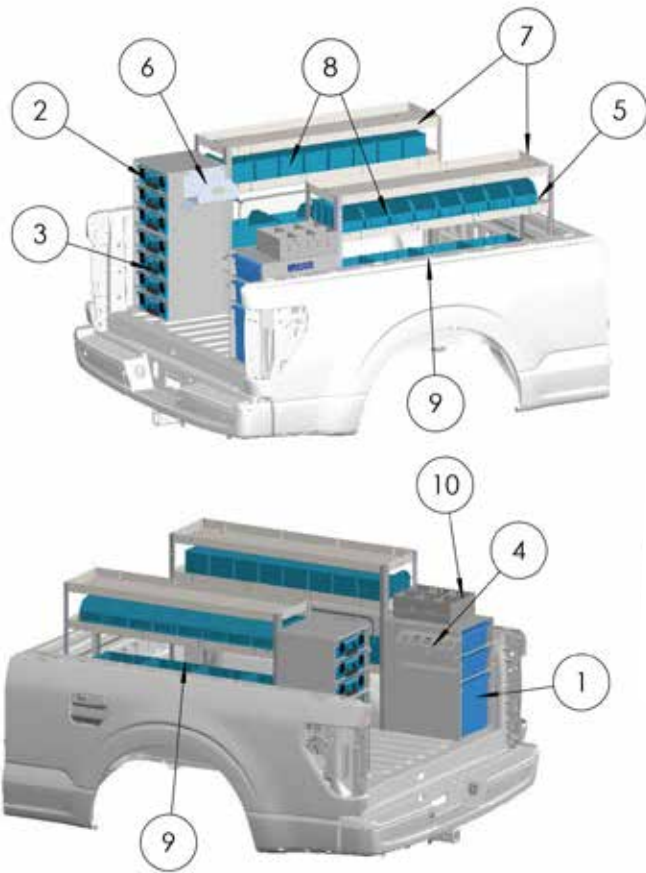
ELECTRICAL CONTRACTOR

ELE-6TRK

Item	Part #	Description	Qty
1	CHPPC2S	2-Case Holder w/ Cases	4
2	CORDHLDR	Cord Holder	1
3	DV14	14" Shelf Divider, Single	2
4	KD143636B	3-Shelf Unit, 36"W x 14"D x 36"H	2
5	MD523B	3-Shelf Unit, 36"W x 12"D x 36"H	2
6	SBIN060614	Portable Bin, 6"	10
7	WRH1	Spool Holder	2
8	44264-B	Ladder Hook	2

Not intended to be used with the EXTENDOBED sliding platform.

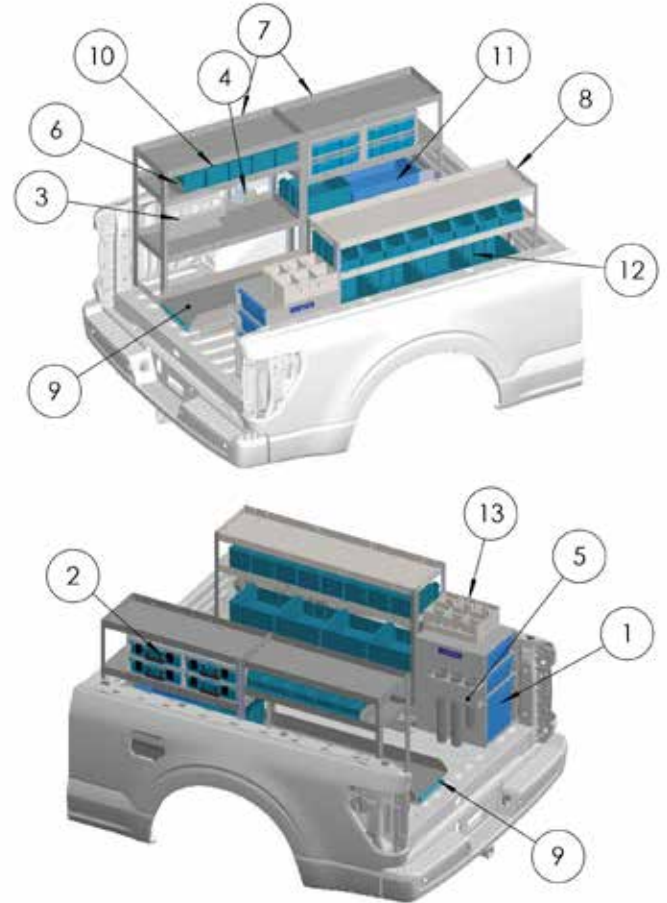
6'-8' BED - STATIC INDUSTRY PACKAGES



PLUMBING CONTRACTOR

PLBG-6TRK

Item	Part #	Description	Qty
1	BC2S1L	3-Bin Cabinet w/ Bins	1
2	CHPPC3S	3-Case Holder w/ Cases	1
3	CHPPC4S	4-Case Holder w/ Cases	1
4	CHS5	5-Slot Caulk Holder, 10 oz.	1
5	DV14	14" Shelf Divider, Single	4
6	HOSEHLDR	Hose Holder	1
7	KD143652B	3-Shelf Unit, 52"W x 14"D x 36"H	2
8	SBIN060614	Portable Bin, 6"	16
9	SBIN120614	Portable Bin, 12"	8
10	66206	Solvent Tray, 14"	2



SECURITY CONTRACTOR

SEC-6TRK

Item	Part #	Description	Qty
1	BC2S1L	3-Bin Cabinet w/ Bins	1
2	CHPPC2S	2-Case Holder w/ Bins	2
3	CHS5	5-Slot Caulk Holder, 10 oz.	1
4	CORDHLDR	Cord Holder	1
5	DBH112218	Drill Bit Holder	1
6	DV14	14" Shelf Divider, Single	4
7	KD143636B	3-Shelf Unit, 36"W x 14"D x 36"H	2
8	KD143652B	3-Shelf Unit, 52"W x 14"D x 36"H	1
9	LSDBH1466	Ladder Shelf w/ Drill Bit Tray	1
10	SBIN060614	Portable Bin, 6"	13
11	SBIN120418	Portable Bin, 18"	1
12	SBIN120614	Portable Bin, 12"	5
13	66206	Solvent Tray, 14"	2

Not intended to be used with the EXTENDOBED sliding platform.



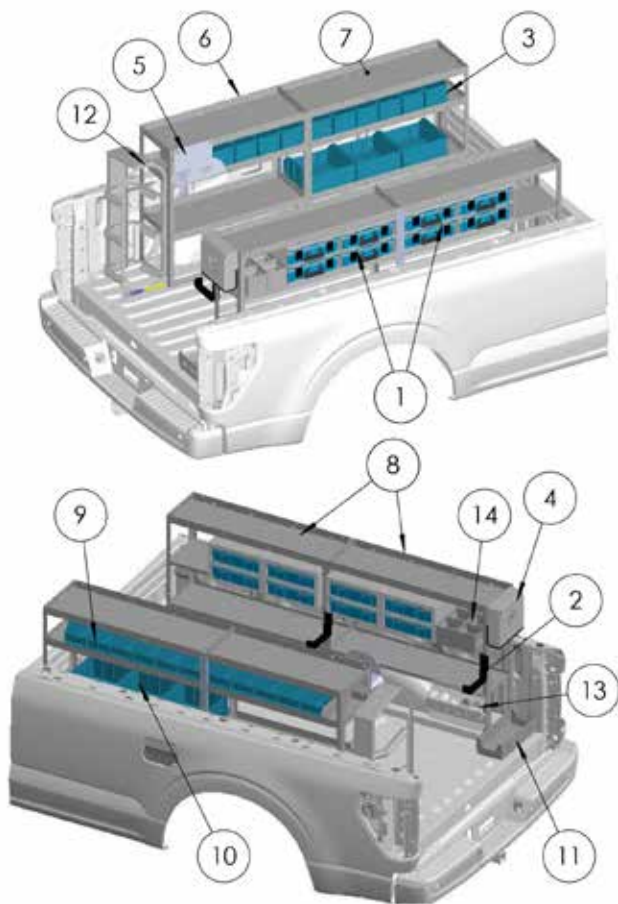
Scan to find your local distributor to build the best upfit solution for your business!

Questions?
Contact Us!

AdrianSteel.com
800.677.2726

8+' BED - STATIC INDUSTRY PACKAGES

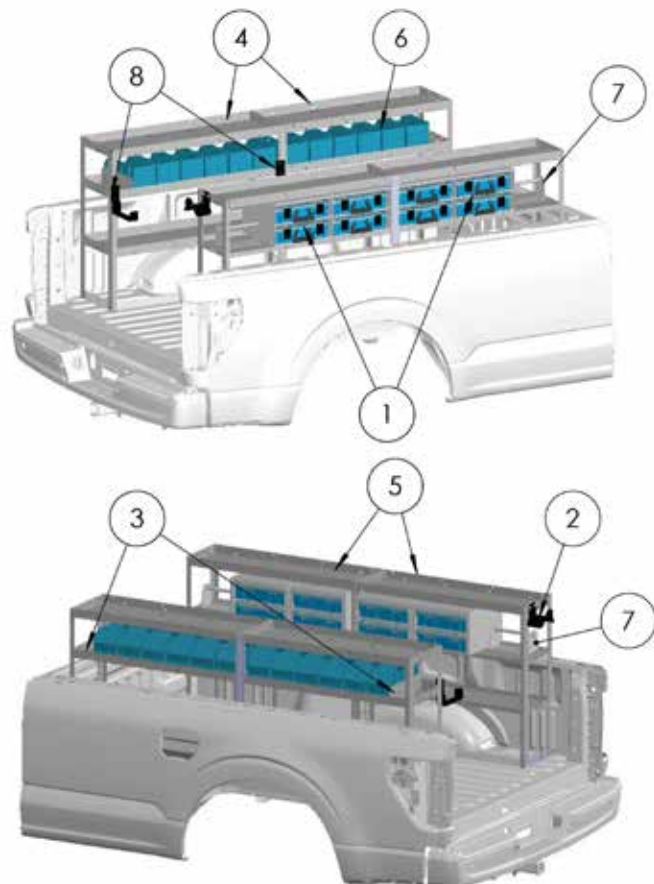
BASE-8TRK - BASE PACKAGE (NOT SHOWN)



HVAC

HVAC-8TRK

Item	Part #	Description	Qty
1	CHPPC2S	2-Case Holder w/ Bins	4
2	44264-B	Ladder Hook	2
3	DV14	14" Shelf Divider, Single	3
4	GC1	HVAC Gauge Cover	1
5	HOSEHLDR	Hose Holder	1
6	KD143636B	3-Shelf Unit, 36"W x 14"D x 36"H	1
7	KD143642B	3-Shelf Unit, 42"W x 14"D x 36"H	1
8	MD524B	3-Shelf Unit, 42"W x 12"D x 36"H	2
9	SBIN060614	Portable Bin, 6"	11
10	SBIN120614	Portable Bin, 12"	3
11	VPH1	Vacuum Pump Holder	1
12	330TR	EZLoad™ Tank Rack, 30lb. (3)	1
13	CHS5	5-Slot Caulk Holder, 10 oz.	1
14	66206	Solvent Tray, 14"	2



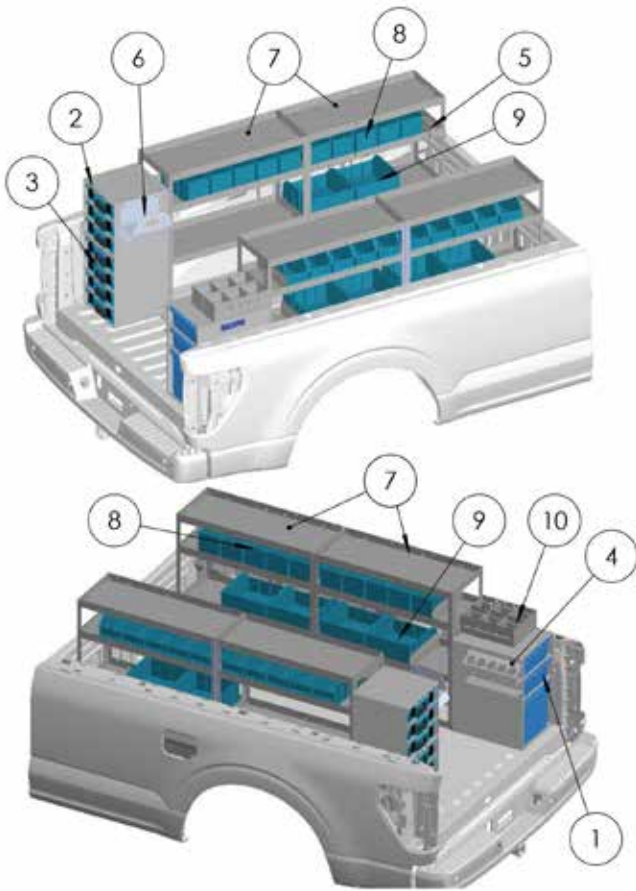
ELECTRICAL CONTRACTOR

ELE-8TRK

Item	Part #	Description	Qty
1	CHPPC2S	2-Case Holder w/ Bins	4
2	CORDHLDR	Cord Holder	1
3	DV14	14" Shelf Divider, Single	2
4	KD143642B	3-Shelf Unit, 42"W x 14"D x 36"H	2
5	MD524B	3-Shelf Unit, 42"W x 12"D x 36"H	2
6	SBIN060614	Portable Bin, 6"	12
7	WRH1	Spool Holder	2
8	44264-B	Ladder Hook	2

Not intended to be used with the EXTENDOBED sliding platform.

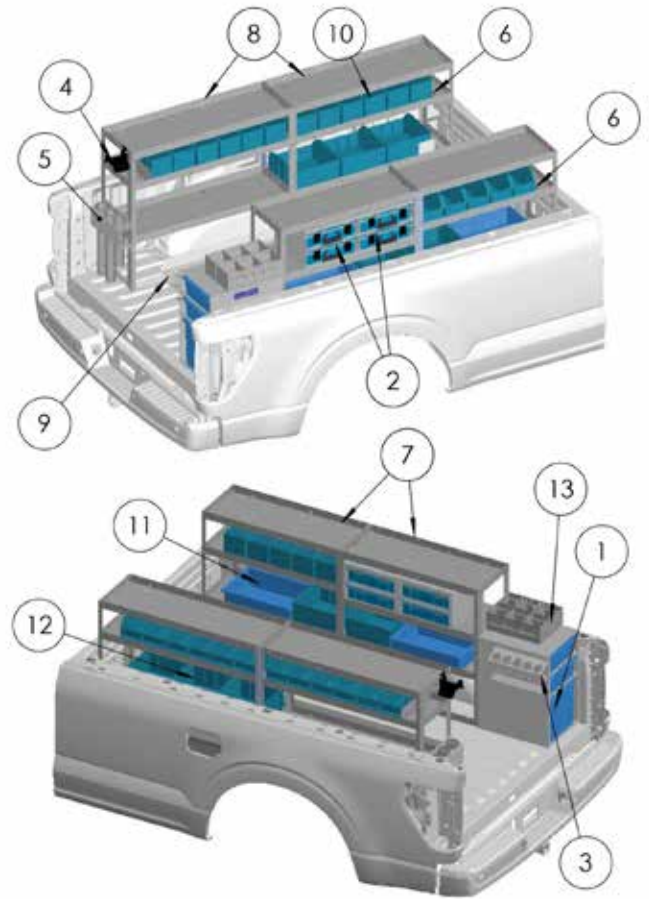
8+' BED - STATIC INDUSTRY PACKAGES



PLUMBING CONTRACTOR

PLBG-8TRK

Item	Part #	Description	Qty
1	BC2S1L	3-Bin Cabinet w/ Bins	1
2	CHPPC3S	3-Case Holder w/ Bins	1
3	CHPPC4S	4-Case Holder w/ Bins	1
4	CHS5	5-Slot Caulk Holder, 10 oz.	1
5	DV14	14" Shelf Divider, Single	7
6	HOSEHLDR	Hose Holder	1
7	KD143636B	3-Shelf Unit, 36"W x 14"D x 36"H	4
8	SBIN060614	Portable Bin, 6"	20
9	SBIN120614	Portable Bin, 12"	6
10	66206	Solvent Tray, 14"	2



SECURITY CONTRACTOR

SEC-8TRK

Item	Part #	Description	Qty
1	BC2S1L	3-Bin Cabinet w/ Bins	1
2	CHPPC2S	2-Case Holder w/ Bins	2
3	CHS5	5-Slot Caulk Holder, 10 oz.	1
4	CORDHLDR	Cord Holder	1
5	DBH112218	Drill Bit Holder	1
6	DV14	14" Shelf Divider, Single	6
7	KD143636B	3-Shelf Unit, 36"W x 14"D x 36"H	2
8	KD143642B	3-Shelf Unit, 42"W x 14"D x 36"H	2
9	LSDBH1466	Ladder Shelf w/ Drill Bit Tray	1
10	SBIN060614	Portable Bin, 6"	17
11	SBIN120418	Portable Bin, 18"	2
12	SBIN120614	Portable Bin, 12"	5
13	66206	Solvent Tray, 14"	2

Not intended to be used with the EXTENDOBED sliding platform.



Scan to find your local distributor to build the best upfit solution for your business!

Questions?
Contact Us!

AdrianSteel.com
800.677.2726

GLOSSARY

ADRIAN TRUCK CAP	3
TRUCK CAP OPTIONS	4
TFKFDT178HM23W - F-150 6.5' Truck Cap	4
TFKGMT178HM23W - GM 6.5' Truck Cap	4
TFKRAM175HM23W - Ram 6.3' Truck Cap	4
THKFDT178M23 - F-150 Hardware Kit	4
THKGMT178M23 - GM 1500 Hardware Kit	4
THKRAM175M23 - Ram Hardware Kit	4
TCK78HM23W - Closure Kit	4
TSK78M23W - Side Kit	4
TRK7823W - Roof Kit	4
TTBBK177220 - Toolbox Body Kit, 6.3'	5
TTBBK177520 - Toolbox Body Kit, 6.5'	5
TTBBK177523 - Toolbox Body Kit, 6.75'	5
TTBSK1775 - Toolbox Full Shelf Kit, 6.5'	5
TTBSK1772 - Toolbox Full Shelf Kit, 6.3'	5
TTBSDK1720 - Toolbox Split Divider Kit, 6.3'	5
TTBSDK1723 - Toolbox Split Divider Kit, 6.75'	5
TTBSK1735 - Toolbox Half Shelf Kit, 6.3'	5
TTBSK1737 - Toolbox Half Shelf Kit, 6.75'	5
TTBTDK1720 - Toolbox Tall Divider Kit, 6.3'	5
TTBTDK1723 - Toolbox Tall Divider Kit, 6.75'	5
TRUCK CAP TOOLBOX	5
BUILD YOUR TOOLBOX	5
TOOLBOX OPTIONS	6
TRUCK CAP ELECTRONICS	7
F-150 LIGHTNING 5.5' BED	
74560 - 48" Strip Light Kit, 3-Pack	8
74564 - 48" Strip Light Kit, Rear Door	8
74491 - 48" Strip Light Kit, Passenger Side	8
74496 - 48" Strip Light Kit, Driver Side	8
F-150 6.5' BED	
72548 - 48" Strip Light Kit, Full Kit	8
72607 - 48" Strip Light Kit, 3-Pack	8
72604 - 48" Strip Light Kit, Rear Door	8
72605 - 48" Strip Light Kit, Passenger Side	8
72606 - 48" Strip Light Kit, Driver Side	8
74623 - 24" Strip Light Kit, Full Kit	8
74621 - 24" Strip Light Kit, Passenger Side	8
74622 - 24" Strip Light Kit, Driver Side	8
F-150 8' BED	
74485 - 48" Strip Light Kit, Full Kit	8
74489 - 48" Strip Light Kit, 3-Pack	8
72604 - 48" Strip Light Kit, Rear Door	8
74487 - 48" Strip Light Kit, Passenger Side	8
74488 - 48" Strip Light Kit, Driver Side	8
F-250/350 6.75' BED	
72548 - 48" Strip Light Kit, Full Kit	8
72607 - 48" Strip Light Kit, 3-Pack	8
72604 - 48" Strip Light Kit, Rear Door	8
72605 - 48" Strip Light Kit, Passenger Side	8
72606 - 48" Strip Light Kit, Driver Side	8
74623 - 24" Strip Light Kit, Full Kit	8
74621 - 24" Strip Light Kit, Passenger Side	8
74622 - 24" Strip Light Kit, Driver Side	8
F-250/350 8' BED	
74485 - 48" Strip Light Kit, Full Kit	8
74489 - 48" Strip Light Kit, 3-Pack	8
72604 - 48" Strip Light Kit, Rear Door	8
74487 - 48" Strip Light Kit, Passenger Side	8
74488 - 48" Strip Light Kit, Driver Side	8
SILVERADO/SIERRA 1500 6.5' BED	
72549 - 48" Strip Light Kit, Full Kit	8
72611 - 48" Strip Light Kit, 3-Pack	8
72608 - 48" Strip Light Kit, Rear Door	8
72609 - 48" Strip Light Kit, Passenger Side	8
72610 - 48" Strip Light Kit, Driver Side	8
74627 - 24" Strip Light Kit, Full Kit	8
74625 - 24" Strip Light Kit, Passenger Side	8
74626 - 24" Strip Light Kit, Driver Side	8

SILVERADO/SIERRA 1500 8' BED	
74490 - 48" Strip Light Kit, Full Kit	8
74494 - 48" Strip Light Kit, 3-Pack	8
72608 - 48" Strip Light Kit, Rear Door	8
74492 - 48" Strip Light Kit, Passenger Side	8
74493 - 48" Strip Light Kit, Driver Side	8
SILVERADO/SIERRA 2500/3500 6.75' BED	
72549 - 48" Strip Light Kit, Full Kit	8
72611 - 48" Strip Light Kit, 3-Pack	8
72608 - 48" Strip Light Kit, Rear Door	8
72609 - 48" Strip Light Kit, Passenger Side	8
72610 - 48" Strip Light Kit, Driver Side	8
74627 - 24" Strip Light Kit, Full Kit	8
74625 - 24" Strip Light Kit, Passenger Side	8
74626 - 24" Strip Light Kit, Driver Side	8
SILVERADO/SIERRA 2500/3500 8' BED	
74490 - 48" Strip Light Kit, Full Kit	8
74494 - 48" Strip Light Kit, 3-Pack	8
72608 - 48" Strip Light Kit, Rear Door	8
74492 - 48" Strip Light Kit, Passenger Side	8
74493 - 48" Strip Light Kit, Driver Side	8
RAM 1500 6.3' BED	
73106 - 48" Strip Light Kit, Full Kit	8
73110 - 48" Strip Light Kit, 3-Pack	8
73107 - 48" Strip Light Kit, Rear Door	8
73108 - 48" Strip Light Kit, Passenger Side	8
73109 - 48" Strip Light Kit, Driver Side	8
74631 - 24" Strip Light Kit, Full Kit	8
74629 - 24" Strip Light Kit, Passenger Side	8
74630 - 24" Strip Light Kit, Driver Side	8
RAM 1500 8' BED	
74495 - 48" Strip Light Kit, Full Kit	8
74499 - 48" Strip Light Kit, 3-Pack	8
73107 - 48" Strip Light Kit, Rear Door	8
74497 - 48" Strip Light Kit, Passenger Side	8
74498 - 48" Strip Light Kit, Driver Side	8
RAM 2500/3500 6.3' BED	
73106 - 48" Strip Light Kit, Full Kit	8
73110 - 48" Strip Light Kit, 3-Pack	8
73107 - 48" Strip Light Kit, Rear Door	8
73108 - 48" Strip Light Kit, Passenger Side	8
73109 - 48" Strip Light Kit, Driver Side	8
74631 - 24" Strip Light Kit, Full Kit	8
74629 - 24" Strip Light Kit, Passenger Side	8
74630 - 24" Strip Light Kit, Driver Side	8
RAM 2500/3500 8' BED	
74495 - 48" Strip Light Kit, Full Kit	8
74499 - 48" Strip Light Kit, 3-Pack	8
73107 - 48" Strip Light Kit, Rear Door	8
74497 - 48" Strip Light Kit, Passenger Side	8
74498 - 48" Strip Light Kit, Driver Side	8
PROLIFT™ TRUCK CAP LADDER RACK 9	
STANDARD-DROP PROLIFT	
PLS61LTMAV - Pass. Side ProLift, Maverick	10
PLS61LT4 - Pass. Side ProLift, 4' Rack	10
PLS61LT5 - Pass. Side ProLift, 5' Rack	10
PLS61LT6 - Pass. Side ProLift, 6' Rack	10
PLS63LTMAV - Dual Side ProLift, Maverick	10
PLS63LT4 - Dual Side ProLift, 4' Rack	10
PLS63LT5 - Dual Side ProLift, 5' Rack	10
PLS63LT6 - Dual Side ProLift, 6' Rack	10
PLS64LT5 - Combo Grip/ProLift, 5' Rack	10
PLS65LT5 - Combo ProLift/Utility, 5' Rack	10
PLSDDSL4W - Driver Side ProLift Kit, 4' Rack	10
PLSDDSL5W - Driver Side ProLift Kit, 5' Rack	10
PLSDDSL6W - Driver Side ProLift Kit, 6' Rack	10
PLSDPSLT4W - Pass. Side ProLift Kit, 4' Rack	10
PLSDPSLT5W - Pass. Side ProLift Kit, 5' Rack	10
PLSDPSLT6W - Pass. Side ProLift Kit, 6' Rack	10
PLSLKCW - Step Ladder Kit, 5' Rack	10
PLSLKSW - Step Ladder Kit, 6' Rack	10

MAX-DROP PROLIFT	
PLM61LTMAV - Pass. Side ProLift, Maverick	10
PLM61LT4 - Pass. Side ProLift, 4' Rack	10
PLM61LT5 - Pass. Side ProLift, 5' Rack	10
PLM61LT6 - Pass. Side ProLift, 6' Rack	10
PLS63LTMAV - Dual Side ProLift, Maverick	10
PLM63LT4 - Dual Side ProLift, 4' Rack	10
PLM63LT5 - Dual Side ProLift, 5' Rack	10
PLM63LT6 - Dual Side ProLift, 6' Rack	10
2BARTOPW - Crossbar	10
RRKTOP55 - Roof Rail Kit, 55"	10
RRKTOP58 - Roof Rail Kit, 58"	10
RRKTOP67 - Roof Rail Kit, 67"	10
RRKTOP74 - Roof Rail Kit, 74"	10
RRKTOP96 - Roof Rail Kit, 96"	10
RRKTOP55UC - UniCover Roof Rail Kit, 55"	10
RRKTOP58UC - UniCover Roof Rail Kit, 58"	10
RRKTOP67UC - UniCover Roof Rail Kit, 67"	10
RRKTOP74UC - UniCover Roof Rail Kit, 74"	10
RRKTOP96UC - UniCover Roof Rail Kit, 96"	10
MAVRMBK4W - Mounting Kit, Maverick	10
URMBK4W - Mounting Kit	10
PLMDPSLT4W - Pass. Side ProLift Kit, 4' Rack	10
PLMDDSL5W - Pass. Side ProLift Kit, 5' Rack	10
PLMDDSL6W - Pass. Side ProLift Kit, 6' Rack	10
PLMDDSL4W - Driver Side ProLift Kit, 4' Rack	10
PLMDPSLT5W - Driver Side ProLift Kit, 5' Rack	10
PLMDPSLT6W - Driver Side ProLift Kit, 6' Rack	10
PLSLKMW - Step Ladder Kit, 6' Rack	10
MAX-DROP PROLIFT Removable Handle	
PLMDDSM4W - Driver Side ProLift Kit, 4'	10
PLMDDSM5W - Driver Side ProLift Kit, 5'	10
PLMDDSM6W - Driver Side ProLift Kit, 6'	10
PLMDPSMT4W - Pass. Side ProLift Kit, 4'	10
PLMDPSMT5W - Pass. Side ProLift Kit, 5'	10
PLMDPSMT6W - Pass. Side ProLift Kit, 6'	10
PLSLKMW - Step Ladder Kit, 6'	10
GRIP-LOCK™ TRUCK CAP LADDER RACK II	
GL61LTMAV - Pass. Side Grip-Lock, Maverick	12
GL61LT4 - Pass. Side Grip-Lock, 4' Rack	12
GL61LT5 - Pass. Side Grip-Lock, 5' Rack	12
GL61LT6 - Pass. Side Grip-Lock, 6' Rack	12
GL63LTMAV - Dual Side Grip-Lock, Maverick	12
GL63LT4 - Dual Side Grip-Lock, 4' Rack	12
GL63LT5 - Dual Side Grip-Lock, 5' Rack	12
GL63LT6 - Dual Side Grip-Lock, 6' Rack	12
PLS64LT5 - Combo Grip/ProLift, 5' Rack	12
2BARTOPW - Crossbar	12
RRKTOP55 - Roof Rail Kit, 55"	12
RRKTOP58 - Roof Rail Kit, 58"	12
RRKTOP67 - Roof Rail Kit, 67"	12
RRKTOP74 - Roof Rail Kit, 74"	12
RRKTOP96 - Roof Rail Kit, 96"	12
RRKTOP55UC - UniCover Roof Rail Kit, 55"	12
RRKTOP58UC - UniCover Roof Rail Kit, 58"	12
RRKTOP67UC - UniCover Roof Rail Kit, 67"	12
RRKTOP74UC - UniCover Roof Rail Kit, 74"	12
RRKTOP96UC - UniCover Roof Rail Kit, 96"	12
MAVRMBK4W - Mounting Kit, Maverick	12
URMBK4W - Mounting Kit	12
GL-TOPDS - Driver Side Grip-Lock Kit, Mav	12
GL-CVDS - Driver Side Grip-Lock Kit, 5' Rack	12
GL-FSVDS - Driver Side Grip-Lock Kit, 6' Rack	12
GL-TOPPS - Pass. Side Grip-Lock Kit, Mav	12
GL-CVPS - Pass. Side Grip-Lock Kit, 5' Rack	12
GL-FSVPS - Pass. Side Grip-Lock Kit, 6' Rack	12
SLKTOPW - Step Ladder Kit, 4' Rack	12
GL-SLKCVW - Step Ladder Kit, 5' Rack	12
GL-SLKFSVW - Step Ladder Kit, 6' Rack	12
HD-UTILITY™ TRUCK RACK	13
2BARTOPB - Crossbar, 2-Pack, Maverick	14
1BARTOPB - Crossbar, Single, Maverick	14
2BARCB - Crossbar, 2-Pack	14
1BARCB - Crossbar, Single	14
2BARB - Crossbar, 2-Pack	14
1BARB - Crossbar, Single	14
URMBK4B - Mounting Kit, 4-Pack	14
URMBK2B - Mounting Kit, 2-Pack	14
MSPUMKBK - Mounting Leg, 4-Pack	14

FSPUMBKB - Mounting Leg, 4-Pack	14
SDPUMBKB - Mounting Leg, 4-Pack	14
4UPK4AB - 4" Uprights, 4-Pack, Black	14
4UPK2AB - 4" Uprights, 2-Pack, Black	14
4UPK4B - 4" Uprights, 4-Pack, White	14
4UPK2B - 4" Uprights, 2-Pack, White	14
6UPK4AB - 6" Uprights, 4-Pack, Black	14
6UPK2AB - 6" Uprights, 2-Pack, Black	14
6UPK4B - 6" Uprights, 4-Pack, White	14
6UPK2B - 6" Uprights, 2-Pack, White	14
9UPK4AB - 9" Uprights, 4-Pack, Black	14
9UPK2AB - 9" Uprights, 2-Pack, Black	14
9UPK4B - 9" Uprights, 4-Pack, White	14
9UPK2B - 9" Uprights, 2-Pack, White	14
RSK1AB - 9" Ratchet Upright, Single	14
ULSKB - Ladder Stop, Single	14

EXTENDED BED SLIDING PLATFORM 15

EBL1270 - Extended, 6.3' Bed	16
EBL1272 - Extended, 6.5/6.75' Bed	16

EXTENDED SHELVING 17

PTSU2T163630A3 - 3-Shelf Unit, 36x16x30	17
PTSU2T164830A3 - 3-Shelf Unit, 48x16x30	17
PTSU2T166030A3 - 3-Shelf Unit, 60x16x30	17
PEPKT1030G - End Panel Kit, 30"	17
PECKT2T16A3 - End Cap Kit, 3-Pack	17
PECKT2T16A1 - End Cap Kit, Single	17
PSFKT2T1636G3 - 36" Shelf Kit, 3-Pack	17
PSFKT2T1648G3 - 48" Shelf Kit, 3-Pack	17
PSFK2T1648G1 - 48" Shelf Kit, Single	17
PSFKT2T1660G3 - 60" Shelf Kit, 3-Pack	17
PSFK2T1672G1 - 72" Shelf Kit, Single	17

HVAC UPFIT SOLUTION 19

HVAC-EBP70	19
HVAC-EBP72	19

ELECTRICAL UPFIT SOLUTION 20

ELE-EBP72 - Extended, 6.5' & 6.75' Bed	20
ELE-EBP70 - Extended, 6.5' & 6.75' Bed	20
KD123624C - 3-Shelf Unit, 24"W x 12"D x 36"H	21
KD143636B - 3-Shelf Unit, 36"W x 14"D x 36"H	21
KD143642B - 3-Shelf Unit, 42"W x 14"D x 36"H	21
KD143652B - 3-Shelf Unit, 52"W x 14"D x 36"H	21
MD522B - 3-Shelf Unit, 30"W x 12"D x 36"H	21
MD523B - 3-Shelf Unit, 36"W x 12"D x 36"H	21
MD524B - 3-Shelf Unit, 42"W x 12"D x 36"H	21
DV12 - 12" Shelf Divider	21
DV14 - 14" Shelf Divider	21

STATIC TRUCK SHELVING UNITS 21

CARGO ACCESSORIES 22

PORTABLE STORAGE 22

TANK STORAGE 22

DRAWER STORAGE 22

WIRE & DRILL BIT STORAGE 22

CHPPC2S - 2-Case Holder w/ Cases	22
CHPPC3S - 3-Case Holder w/ Cases	22
CHPPC4S - 4-Case Holder w/ Cases	22
SBIN060614 - Portable Bin, 6"	22
SBIN120614 - Portable Bin, 12"	22
SBIN120418 - Portable Bin Tray, 18"	22
BC2S1L - 3-Bin Cabinet w/ Bins	22
9 - 4-Drawer Unit w/ Lock	22
19 - 2-Drawer Unit w/ Lock	22
919 - 3-Drawer Unit w/ Lock	22
DC6 - 3-Drawer Unit, 6"	22
DC12 - 3-Drawer Unit, 12"	22
UH25 - Utility Hook, 2.5"	22
UH50 - Utility Hook, 5"	22
HOSEHLDR - Hose Holder	22
CORDHLDR - Cord Holder	22
GC1 - HVAC Gauge Cover	22
130TR - 30 lb. Tank Rack, (1)	22
130TRV - 30 lb. Vertical Tank Rack, (1)	22
230TR - 30 lb. Tank Rack, (2)	22

330TR - 30 lb. Tank Rack, (3)	22
430TR - 30 lb. Tank Rack, (4)	22
150TR - 50 lb. Tank Rack, (1)	22
150TRV - 50 lb. Vertical Tank Rack, (1)	22
250TR - 50 lb. Tank Rack, (2)	22
350TR - 50 lb. Tank Rack, (3)	22
TRSHLF50 - 50 lb. Tank Rack Shelf	22
130150TR - 30/50 lb. Tank Rack, (1-30, 1-50)	22
130250TR - 30/50 lb. Tank Rack, (1-30, 2-50)	22
230150TR - 30/50 lb. Tank Rack, (2-30, 1-50)	22
1ACTR - Acetylene Tank Holder (1)	22
2ACTR - Acetylene Tank Holder (2)	22
1TR - B-Tank Holder (1)	22
1NTR - Nitrogen Tank Holder (1)	22
WRH1 - 1-Bar Spool Holder	22
WRH3 - 3-Bar Spool Holder	22
WRH5 - 5-Bar Spool Holder	22
DBH212 - Drill Bit Holder, (2) 12"	22
DBH112218 - Drill Bit Holder, (1) 12" (1) 18"	22
LSDBH1466 - Ladder Shelf w/ Drill Bit Tray	22
CHS2-5 - 2-Slot Caulk Holder	22
CHS4-8 - 4-Slot Caulk Holder	22
CHS5 - 5-Slot Caulk Holder	22
CHS6-15 - 6-Slot Caulk Holder	22
ACH2-5 - 2-Slot Aerosol Can Holder	22
ACH3-8 - 3-Slot Aerosol Can Holder	22
ACH4-10 - 4-Slot Aerosol Can Holder	22
VPH1 - Vacuum Pump Holder	22
66206 - Solvent Tray, 14"	22
44264-B - Ladder Hook	22
66241 - Charger Mount	22

HANGING STORAGE 22

MISCELLANEOUS STORAGE 22

LOAD RUNNER TRUCK RACK 23

SBLR-8FR - Load Runner, Regular Cab, 8'	24
SBLR-8FE - Load Runner, Ext. Cab, 8'	24
SBE9 - 1' Extension	24
SBE11 - 3' Extension	24
SLR-6FR - Load Runner, Regular Cab, 6.4'	24
SLR-8FR - Load Runner, Regular Cab, 8'	24
SLR-6FRS - Load Runner, Regular Cab, 6.75'	24
SLR-8FRS - Load Runner, Regular Cab, 8'	24
SLR-6FRP - Load Runner, Regular Cab, 6.75'	24
SLR-8FRP - Load Runner, Regular Cab, 8' Fin	24
SLR-6FE - Load Runner, Regular Cab, 6.4'	24
SLR-8FE - Load Runner, Regular Cab, 8'	24
SLR-6FES - Load Runner, Regular Cab, 6.75'	24
SLR-8FES - Load Runner, Regular Cab, 8'	24
SLR-6FEP - Load Runner, Regular Cab, 6.75'	24
SLR-8FEP - Load Runner, Regular Cab, 8' Fin	24

CROSSBOXES & SIDEBOXES 25

AD100 - Crossbox, Single Lid, 12.5"	26
AD101 - Crossbox, Single Lid, 17.5"	26
AD101-2 - Crossbox, Single Lid, 17.5"	26
AD200 - Crossbox, Double Lid, 12.5"	26
AD250 - Crossbox, Double Lid, 17.5"	26
AD302 - Sidebox, Single Lid, 64"	26
AD303 - Sidebox, Single Lid, 46"	26
AD350 - Sidebox, Single Lid, 46"	26

MAVERICK - STATIC PACKAGES 27

BASE-4TRK - Base Package, Maverick	27
HVAC-4TRK - HVAC Package, Maverick	27
ELE-4TRK - Electrical Package, Maverick	27
PLBG-4TRK - Plumbing Package, Maverick	28
SEC-4TRK - Security Package, Maverick	28

5' BED - STATIC PACKAGES 29

BASE-5TRK - Base Package, 5' Bed	29
HVAC-5TRK - HVAC Package, 5' Bed	29
ELE-5TRK - Electrical Package, 5' Bed	29

5' BED - STATIC PACKAGES 30

PLBG-5TRK - Plumbing Package, 5' Bed	30
SEC-5TRK - Security Package, 5' Bed	30
BASE-6TRK - Base Package, 6-8' Bed	31

HVAC-6TRK - HVAC Package, 6-8' Bed	31
ELE-6TRK - Electrical Package, 6-8' Bed	31

6'-8' BED - STATIC PACKAGES 32

PLBG-6TRK - Plumbing Package, 6-8' Bed	32
SEC-6TRK - Security Package, 6-8' Bed	32

8'+ BED - STATIC PACKAGES 33

BASE-8TRK - Base Package, 8'+ Bed	33
HVAC-8TRK - HVAC Package, 8'+ Bed	33
ELE-8TRK - Electrical Package, 8'+ Bed	33
PLBG-8TRK - Plumbing Package, 8'+ Bed	34
SEC-8TRK - Security Package, 8'+ Bed	34



Scan to find your local distributor to build the best upfit solution for your business!

Questions?
Contact Us!

AdrianSteel.com
800.677.2726

Ford Trucks								
Vehicle Platform	Maverick	Ranger	Lightning/ ICE F-150	F-150		F-250/F-350		Colorado
Bed Length	4.5'	5'	5.5'	6.5'	8'	6.7'	8'	5'
Truck Cap								
Full Kit	TFKMAV154HM23W		TFKFDT166HM23W	TFKFDT178HM23W	TFKFDT196HM23W	TFKFDT280HM26W	TFKFDT296HM26W	
Roof Kit	TRK5423W		TRK6623W	TRK7823W	TRK9623W	TRK8026W	TRK9623W	
Side Kit	TSK54M23W		TSK66M23W	TSK78M23W	TSK96M23W	TSK80M26W	TSK96M26W	
Door Hardware	THKMAV154M23		THKFDT166M23	THKFDT178M23	THKFDT196M23	THKFDT280M26	THKFDT296M26	
Closure Kit	TCK54HM23W		TCK78HM23W	TCK78HM23W	TCK78HM23W	TCK80HM26W	TCK80HM26W	
Topper Electronics								
Full Kit: 3 Strips & 2 Dome	74632		74486	72548	74485	72548	74485	
1 Rear Strip Light	74633		74564	72604	72604	72604	72604	
1 Driver Side Strip Light	74635		74496	72606	74488	72606	74488	
1 Passenger Side Strip Light	74634		74491	72605	74487	72605	74487	
3 Strip Lights: Sides & Rear	74636		74620	72607	74489	72607	74489	
Toolbox Components								
Body Kit	TTBBK174920		TTBBK176320	TTBBK177520	TTBBK179320	TTBBK177523	TTBBK179323	
Full Shelf Kit	TTBSK1749		TTBSK1763	TTBSK1775	TTBSK1793	TTBSK1775	TTBSK1793	
Half Shelf Kit	TTBSK1725		TTBSK1731	TTBSK1737	TTBSK1746	TTBSK1737	TTBSK1746	
Tall Divider	TTBTDK1720		TTBTDK1720	TTBTDK1720	TTBTDK1720	TTBTDK1723	TTBTDK1723	
Split Divider	TTBSDK1720		TTBSDK1720	TTBSDK1720	TTBSDK1720	TTBSDK1723	TTBSDK1723	
Toolbox Options								
Configuration 1	TTB174920C01		TTB176320C01	TTB177520C01	TTB179320C01	TTB177523C01	TTB179323C01	
Configuration 2	TTB174920C02		TTB176320C02	TTB177520C02	TTB179320C02	TTB177523C02	TTB179323C02	
Configuration 3	TTB174920C03		TTB176320C03	TTB177520C03	TTB179320C03	TTB177523C03	TTB179323C03	
Configuration 4	TTB174920C04		TTB176320C04	TTB177520C04	TTB179320C04	TTB177523C04	TTB179323C04	
Configuration 5	TTB174920C05		TTB176320C05	TTB177520C05	TTB179320C05	TTB177523C05	TTB179323C05	
Configuration 6	TTB174920C06		TTB176320C06	TTB177520C06	TTB179320C06	TTB177523C06	TTB179323C06	
Configuration 7	TTB174920C07		TTB176320C07	TTB177520C07	TTB179320C07	TTB177523C07	TTB179323C07	
Configuration 8	TTB174920C08		TTB176320C08	TTB177520C08	TTB179320C08	TTB177523C08	TTB179323C08	
Configuration 9	TTB174920C09		TTB176320C09	TTB177520C09	TTB179320C09	TTB177523C09	TTB179323C09	
Configuration 10	TTB174920C10		TTB176320C10	TTB177520C10	TTB179320C10	TTB177523C10	TTB179323C10	
Configuration 11	TTB174920C11		TTB176320C11	TTB177520C11	TTB179320C11	TTB177523C11	TTB179323C11	
Extendedbed								
110% Extension	EBL1048		EBL1260	EBL1272	EB1590	EBL1272	EB1590	
Spacers (If required)	Not required		Not required	Not required	Not required	Not required	Not required	
Shelving Packages								
HVAC	HVAC-EBP48		HVAC-EBP60	HVAC-EBP72	HVAC-EBP90	HVAC-EBP72	HVAC-EBP90	
Electrical	ELE-EBP48		ELE-EBP60	ELE-EBP72	ELE-EBP90	ELE-EBP72	ELE-EBP90	
ProLift Ladder Racks								
PS Standard Drop	PLS61LT4		PLS61LT4	PLS61LT5	PLS61LT6	PLS61LT5	PLS61LT6	
Dual Side Standard Drop	PLS63LT4		PLS63LT4	PLS63LT5	PLS63LT6	PLS63LT5	PLS63LT6	
PS Prolift DS Grip Lock				PLS64LT5		PLS64LT5		
PS Standard Drop DS Utility				PLS65LT5		PLS65LT5		
Dual Side Max Drop								
Grip-Lock Ladder Racks								
PS Grip-Lock	GL61LT4		GL61LT4	GL61LT5	GL61LT6	GL61LT5	GL61LT6	
Dual Side Grip-Lock	GL63LT4		GL63LT4	GL63LT5	GL63LT6	GL63LT5	GL63LT6	

Chevy/GMC Trucks					Ram Trucks				
Silverado/Sierra 1500			Silverado/Sierra 2500		RAM 1500		RAM 2500/3500		
5.75'	6.5'	8'	6.7'	8'	6.3'	8'	6.3'	8'	
	TFKGMT178HM23W	TFKGMT196HM23W	TFKGMT280HM26W	TFKGMT296HM26W	TFKRAM175HM23W	TFKRAM196HM23W	TFKRAM175HM23W	TFKRAM296HM26W	
	TRK7823W	TRK9623W	TRK8026W	TRK9623W	TRK7523W	TRK9623W	TRK7523W	TRK9623W	
	TSK78M23W	TSK96M23W	TSK80M26W	TSK96M26W	TSK75M23W	TSK96M23W	TSK75M23W	TSK96M26W	
	THKGMT178M23	THKGMT196M23	THKGMT280M26	THKGMT296M26	THKRAMT175M23	THKRAM196M23	THKRAMT175M23	THKRAM296M26	
	TCK78HM23W	TCK78HM23W	TCK80HM26W	TCK80HM26W	TCK78HM23W	TCK78HM23W	TCK78HM23W	TCK80HM26W	
	72549	72549	72549	72549	73106	73106	73106	73106	
	72608	72608	72608	72608	73107	73107	73107	73107	
	72610	74493	72610	74493	73109	74498	73109	74498	
	72609	74492	72609	74492	73108	74497	73108	74497	
	72611	74494	72611	74494	73110	74499	73110	74499	
	TTBBK177520	TTBBK179320	TTBBK177523	TTBBK179323	TTBBK177220	TTBBK179320	TTBBK177220	TTBBK179323	
	TTBSK1775	TTBSK1793	TTBSK1775	TTBSK1793	TTBSK1772	TTBSK1793	TTBSK1772	TTBSK1793	
	TTBSK1737	TTBSK1746	TTBSK1737	TTBSK1746	TTBSK1735	TTBSK1746	TTBSK1735	TTBSK1746	
	TTBTDK1720	TTBTDK1720	TTBTDK1723	TTBTDK1723	TTBTDK1720	TTBTDK1720	TTBTDK1720	TTBTDK1723	
	TTBSDK1720	TTBSDK1720	TTBSDK1723	TTBSDK1723	TTBSDK1720	TTBSDK1720	TTBSDK1720	TTBSDK1723	
	TTB177520C01	TTB179320C01	TTB177523C01	TTB179323C01	TTB177220C01	TTB179320C01	TTB177220C01	TTB179323C01	
	TTB177520C02	TTB179320C02	TTB177523C02	TTB179323C02	TTB177220C02	TTB179320C02	TTB177220C02	TTB179323C02	
	TTB177520C03	TTB179320C03	TTB177523C03	TTB179323C03	TTB177220C03	TTB179320C03	TTB177220C03	TTB179323C03	
	TTB177520C04	TTB179320C04	TTB177523C04	TTB179323C04	TTB177220C04	TTB179320C04	TTB177220C04	TTB179323C04	
	TTB177520C05	TTB179320C05	TTB177523C05	TTB179323C05	TTB177220C05	TTB179320C05	TTB177220C05	TTB179323C05	
	TTB177520C06	TTB179320C06	TTB177523C06	TTB179323C06	TTB177220C06	TTB179320C06	TTB177220C06	TTB179323C06	
	TTB177520C07	TTB179320C07	TTB177523C07	TTB179323C07	TTB177220C07	TTB179320C07	TTB177220C07	TTB179323C07	
	TTB177520C08	TTB179320C08	TTB177523C08	TTB179323C08	TTB177220C08	TTB179320C08	TTB177220C08	TTB179323C08	
	TTB177520C09	TTB179320C09	TTB177523C09	TTB179323C09	TTB177220C09	TTB179320C09	TTB177220C09	TTB179323C09	
	TTB177520C10	TTB179320C10	TTB177523C10	TTB179323C10	TTB177220C10	TTB179320C10	TTB177220C10	TTB179323C10	
	TTB177520C11	TTB179320C11	TTB177523C11	TTB179323C11	TTB177220C11	TTB179320C11	TTB177220C11	TTB179323C11	
	EBL1272	EB1590	EBL1272	EB1590	EBL1270	EB1590	EBL1270	EB1590	
	HDW71974	HDW71974	HDW71974	HDW71974	Not required	Not Required	Not Required	Not Required	
	HVAC-EBP72	HVAC-EBP90	HVAC-EBP72	HVAC-EBP90	HVAC-EBP72	HVAC-EBP90	HVAC-EBP72	HVAC-EBP90	
	ELE-EBP72	ELE-EBP90	ELE-EBP72	ELE-EBP90	ELE-EBP70	ELE-EBP90	ELE-EBP70	ELE-EBP90	
	PLS61LT5	PLS61LT6	PLS61LT5	PLS61LT6	PLS61LT5	PLS61LT6	PLS61LT5	PLS61LT6	
	PLS63LT5	PLS63LT6	PLS63LT5	PLS63LT6	PLS63LT5	PLS63LT6	PLS63LT5	PLS63LT6	
	PLS64LT5		PLS64LT5		PLS64LT5		PLS64LT5		
	PLS65LT5		PLS65LT5		PLS65LT5		PLS65LT5		
	GL61LT5	GL61LT6	GL61LT5	GL61LT6	GL61LT5	GL61LT6	GL61LT5	GL61LT6	
	GL63LT5	GL63LT6	GL63LT5	GL63LT6	GL63LT5	GL63LT6	GL63LT5	GL63LT6	



Scan to find your local distributor to build the best upfit solution for your business!

Questions?
Contact Us!

AdrianSteel.com
800.677.2726

DISTRIBUTED BY:



ADRIAN STEEL®

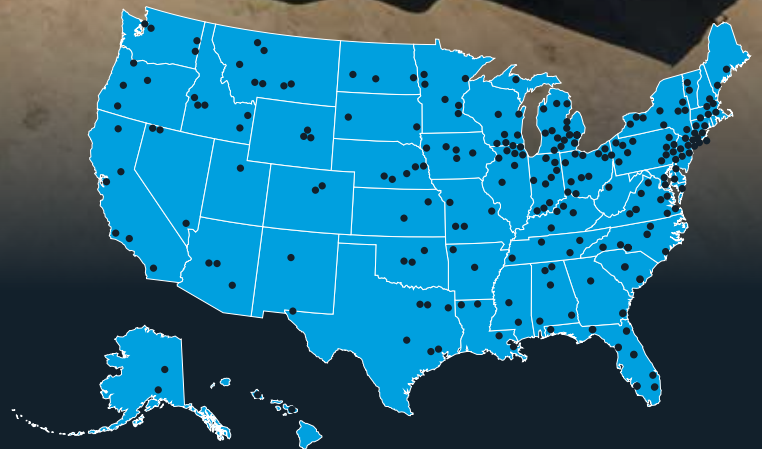
Cargo Management Solutions for Commercial Vehicles



OVER 250 DISTRIBUTORS NATIONWIDE

Contact your nearest Adrian Steel distributor to get your Pickup Cargo Solution, today.

ADRIANSTEEL.COM/DISTRIBUTORS



906 James Street
Adrian, Michigan 49221

P: 517-265-6194
Toll Free 800-677-2726

info@adriansteel.com
AdrianSteel.com

PICKUP CARGO SOLUTIONS