



ADRIAN STEEL®



70+

70+ YEARS OF
VEHICLE STORAGE
SOLUTIONS TO GROW
YOUR BUSINESS

USA

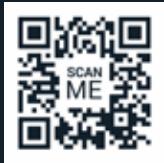
MANUFACTURED,
ASSEMBLED,
AND INSTALLED
IN THE USA

1M+

1,000,000+
VANS & TRUCKS
UPFITTED

CONTENTS

- 3 Adrian Partitions
- 4 Cab Accessories
- 5 Next-Gen Shelving
- 7 Next-Gen Shelving Options
- 7 Next-Gen Shelving Accessories
- 11 Drawers & Cabinets
- 12 Cargo Accessories
- 13 Next-Gen Starter Packages
- 15 Next-Gen Industry Packages
- 17 Next-Gen Industry Packages
- 19 Adrian Ladder Racks
- 20 Adrian Connect Certified Distributors



**FIND PRODUCTS
FOR YOUR
CARGO VAN**



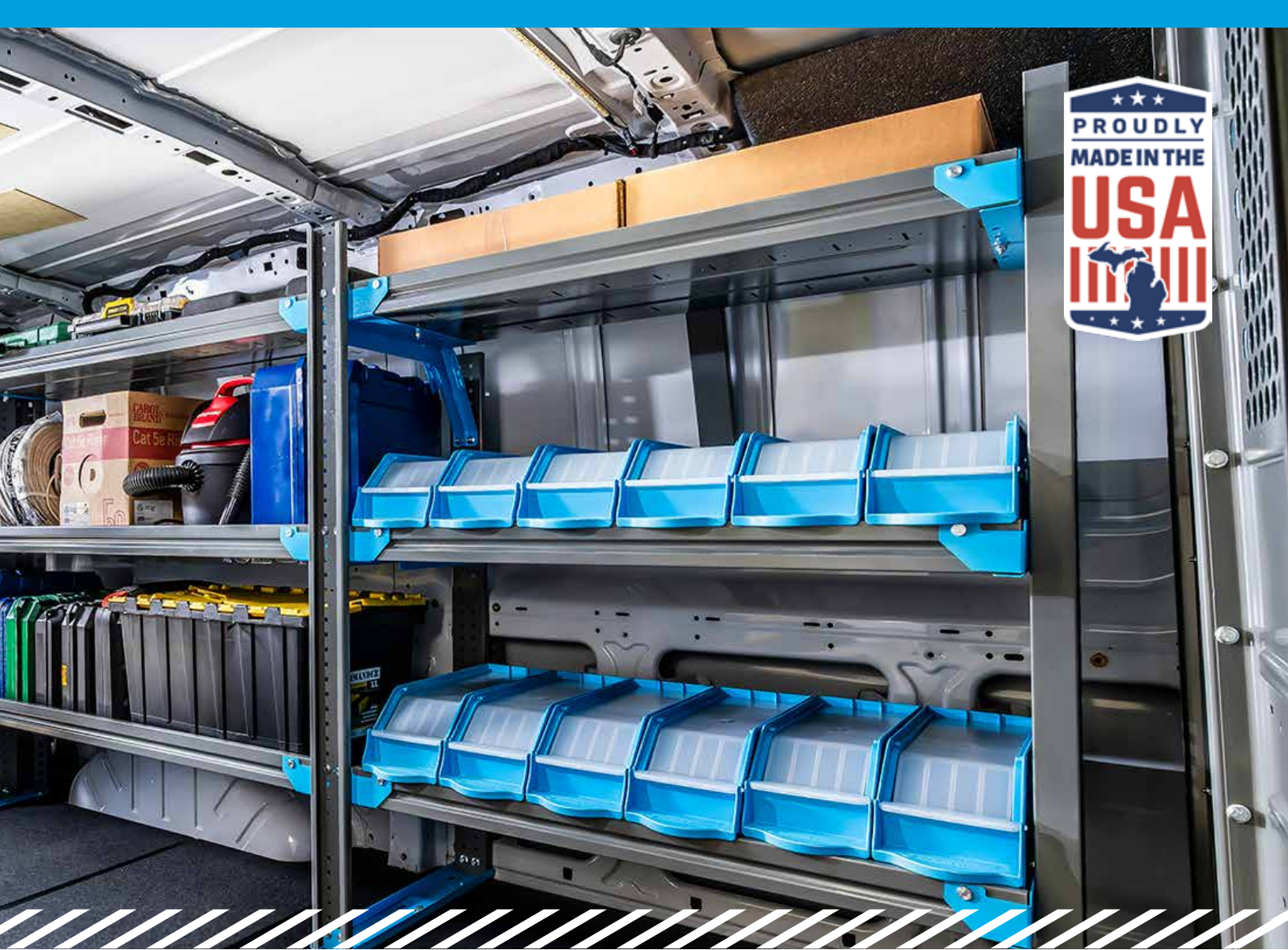
ENGINEERED FOR WHAT COMES NEXT

**DESIGNED FOR YOU,
MANUFACTURED IN 5 DAYS,
WARRANTIED BY ONE COMPANY.**

Adrian Steel is your go-to partner for cargo van upfitting, offering fast lead times and a simplified ordering process. With a wide range of solutions designed to work perfectly together, we make upfitting your van quick and easy.

Find your nearest distributor:

AdrianSteel.com/buy



A WARRANTY YOU CAN COUNT ON

**CHOOSE ADRIAN STEEL FOR
QUALITY PRODUCTS YOU CAN TRUST,
BACKED BY A WARRANTY YOU CAN COUNT ON.**

We stand by the quality of every product we craft, offering you peace of mind with our comprehensive warranty. Unlike other warranties, ours is straightforward and hassle-free, providing you with the assurance you need, should you need it. Don't settle for less when it comes to quality and reliability, choose Adrian Steel.

Learn more or register products:

AdrianSteel.com/resources/warranty



Scan to find your local distributor to buy products or start building your upfit solution!

Questions?
Contact Us!

AdrianSteel.com
800.677.2726

ADRIAN PARTITIONS

HELPING DRIVERS GET HOME SAFELY, EVERYDAY.

FIND YOUR
PRODUCT



PRODUCT OPTIONS



COMPOSITE PARTITIONS

LOW ROOF | MID ROOF | HIGH ROOF

If you're looking for a quieter, more enjoyable commute without sacrificing safety, then our composite partitions are the perfect fit.

- Increased climate control
- Increased odor & debris control
- Dampens noise from the cargo area
- Allows for full seat travel & increased recline
- Mount accessories for easy access
- Available with or without a window
- Available for Full Size and Compact Vans



STEEL PARTITIONS

LOW ROOF | MID ROOF | HIGH ROOF

Our standard, classic, steel partitions help protect the occupants in the cab area from the cargo in the back. These partitions are configurable with perforated panels for visibility and airflow.

- Our most economical option
- Optional solid or perforated panels
- Optional hinge door kit add-on
- Optional 3" setback for increased recline
- Allows for full seat travel
- Mount accessories for easy access
- Available for Full Size and Compact Vans



SLIDING DOOR PARTITIONS

MID ROOF | HIGH ROOF

If you frequently access the cargo area of your vehicle, our sliding door partition is a great option. These partitions are designed to increase driver efficiency, minimize fatigue, and lower the risk of injury.

- Quick access to cargo
- Increased driver efficiency
- Reduced driver fatigue & risk of injury
- Prevent theft with optional locking handle
- Allows for maximum cargo space usage
- Available for Mid & High Roof Vans

CAB ACCESSORIES

TAILOR YOUR UPFIT TO WHAT YOU CARRY.

FIND YOUR
PRODUCT



SAFETY ACCESSORIES

LOW ROOF | MID ROOF | HIGH ROOF

Improve the safety of your work vehicles with our line of safety accessories.

First Aid Kits, Reflector Kits and Fire Extinguishers.

- Fire Extinguishers
- First Aid Kits
- Reflector Kits



CENTER CONSOLES

LOW ROOF | MID ROOF | HIGH ROOF

Keep the things you need frequently within arms reach using our easy access center consoles. Choose the Tech Desk version to charge tablets or mobile phones during your commute.

- 6", 9", 10" and 12" Center Consoles
- 6", 9", 10" and 12" Tech Desk Consoles



EASY ACCESS STORAGE

LOW ROOF | MID ROOF | HIGH ROOF

Keep the things you need frequently within arms reach using our easy access products designed for installation at or on the rear or side doors of your vehicle.

Hooks, Solvent Trays, Aerosol Can Holders, Tank Holders and more.

- Hooks
- Caulk & Aerosol Can Holders
- Solvent Storage Trays
- 30 lbs. & 50 lbs. Tank Holders
- Ladder Holder



Scan to find your local distributor to buy products or start building your upfit solution!

Questions?
Contact Us!

AdrianSteel.com
800.677.2726

NEXT-GEN SHELVING

THE LONGEST, TALLEST & MOST CUSTOMIZABLE SHELVING AND ACCESSORIES IN THE INDUSTRY.



A NEW ERA

**CARGO VANS ARE BIGGER
THAN EVER BEFORE.
TALLER, LONGER, AND
PACKED WITH POTENTIAL.**

**WHY SETTLE FOR
SHELVING THAT WASTES
PRECIOUS SPACE THAT
YOU PAID TO USE?**

Maximize every inch of your investment with shelving designed to keep up.

VEHICLES THEN...

- 1 Roof Height Option
- 2 Wheelbase Options



VEHICLES NOW...

- 3 Different Roof Height Options
- 14 Different Wheelbase Options





LONGEST, TALLEST, DEEPEST SHELVES IN THE INDUSTRY

- LENGTHS UP TO 144"
- HEIGHTS UP TO 68"
- DEPTHS UP TO 16"



MIX-N-MATCH FLEXIBILITY

- 3 END PANEL HEIGHTS
- 9 SHELF LENGTHS
- 4 SHELF DEPTHS
- ULTRA LONG SHELF CENTER SUPPORTS



IMPROVED ACCESSORIES

MAXIMIZE SHELF SPACE WITH THESE OPTIONS;

- 6 DRAWER UNITS
- 9 DOOR KITS
- 6 BINS
- 9 DIVIDERS



THIRD PARTY CRASH TESTED

INDUSTRY LEADING:
UP TO 17 MOUNTING POINTS
VS 7 MOUNTING POINTS



IMPROVED STRENGTH

50 LBS PER FOOT (AVG.)
IS A 43% INCREASE IN
STRENGTH VS 35 LBS PER
FOOT (AVG.)



LET THERE BE LIGHT

CANTILEVERED DESIGN
ALLOWS FOR MORE LIGHT
TO SEE YOUR TOOLS AND
CONSUMABLES BETTER



Scan to find your local distributor to buy products or start building your upfit solution!

Questions?
Contact Us!

AdrianSteel.com
800.677.2726

NEXT GEN SHELVING OPTIONS

ELIMINATE DEAD SPACE AND CUSTOMIZE TO YOUR NEEDS.



SHELVING OPTIONS

FIND YOUR
PRODUCT



LOW ROOF, 49"

3-SHELF UNITS

24"-72" LENGTHS | 14" & 16" DEPTHS

The 3-shelf option features 49" end panels to maximize vertical space in low-roof vehicles. Units are available in lengths ranging from 24" to 72", in 6" increments, and come with either 14" or 16" depths. Additional shelves can be added by working with your local distributor.



MID ROOF, 63"

4-SHELF UNITS

24"-72" LENGTHS | 14" & 16" DEPTHS

The 4-shelf option features 63" end panels to maximize vertical space in mid-roof vehicles. Units are available in lengths ranging from 24" to 72", in 6" increments, and come with either 14" or 16" depths. Additional shelves can be added by working with your local distributor.



HIGH ROOF, 68"

5-SHELF UNITS

24"-72" LENGTHS | 14" & 16" DEPTHS

The 4-shelf option features 68" end panels to maximize vertical space in high-roof vehicles. Units are available in lengths ranging from 24" to 72", in 6" increments, and come with either 14" or 16" depths. Additional shelves can be added by working with your local distributor.



LOW, MID, HIGH ROOF

ULTRA LONG SHELF CENTER SUPPORTS, 14"D & 16"D

Available for 3-shelf, 4-shelf & 5-shelf configurations, the center support allows you to combine two shelf lengths (24"-72") for continuous shelves up to 144 inches long without sacrificing load capacity.



Scan to find your local distributor to build the best upfit solution for your business!

Questions?
Contact Us!

AdrianSteel.com
800.677.2726

FIND YOUR
PRODUCT



2-DRAWER UNITS

18" & 24" WIDTHS | 14" & 16" DEPTHS

The 2-drawer units come in 18" and 24" widths and can be mix-n-matched to fit any shelving length for full-length coverage. Choose between 14" or 16" depths, depending on the shelving depth being used. The drawers have thumb latches to keep them securely closed during transit. Use Risers to install in shelving.



3-DRAWER UNITS

18" & 24" WIDTHS | 14" & 16" DEPTHS

The 3-drawer units come in 18" and 24" widths and can be mix-n-matched to fit any shelving length for full-length coverage. Choose between 14" or 16" depths, depending on the shelving depth being used. The drawers have thumb latches to keep them securely closed during transit. Use Risers to install in shelving.



4-DRAWER UNITS

18" & 24" WIDTHS | 14" & 16" DEPTHS

The 4-drawer units come in 18" and 24" widths and can be mix-n-matched to fit any shelving length for full-length coverage. Choose between 14" or 16" depths, depending on the shelving depth being used. The drawers have thumb latches to keep them securely closed during transit. Use Risers to install in shelving.

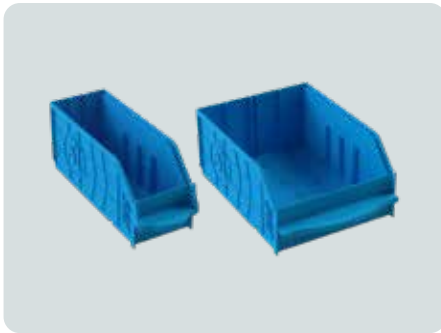


DOOR KITS

24"-72" WIDTHS | 10" TALL

Door kits are available in 24"-72" lengths, in 6" increments, and feature a thumb latch with magnets to keep them securely closed during transit. Each kit includes side and back panels to create a fully enclosed cabinet to contain your cargo.

FIND YOUR
PRODUCT



PORTABLE BINS

6" & 12" WIDTHS | 12", 14" & 16" DEPTHS

Bins are available in 6" and 12" widths and can be mix-n-matched to fit any shelving length for full-length coverage. Choose between 12", 14" or 16" depths, based on the shelving depth being used. Dividers and lids are available to customize the bins and organize what you're carrying.



SHELF DIVIDERS

12", 14" & 16" DEPTHS

Shelf Dividers are available in 12", 14" and 16" depths to accommodate any shelf option you choose. Based on what you are carrying and how you want to configure your shelving space, you can choose a single divider, 4-Pack and/or 8-packs of dividers.



PORTABLE PARTS CASES

Our portable parts cases are designed for easy transport, helping you save time and reduce trips to the job site. The stackable, impact-resistant cases keep your tools and parts organized and secure. Placing them near the rear or side doors allows quick and convenient access to everyday items. Multiple configurations are available.



TANK RACKS

Our tank racks are designed to securely transport 30 lb. and 50 lb. tanks safely to and from the job site and warehouse. With a variety of customizable options, you can choose the right configuration to carry the number of tanks you need for your job. Contact your local distributor to find the best solution for your needs.



DRAWERS & CABINETS

TAILOR YOUR UPFIT TO WHAT YOU CARRY.

FIND YOUR
PRODUCT



FLOOR DRAWERS

LOW ROOF | MID ROOF | HIGH ROOF

Adrian Steel pull-out drawers keep your tools organized, secure, and easy to access. With retention to prevent opening during transit and locking latches for added security, they come in shallow and deep sizes to fit your needs.

- Reduce climbing in the van or truck
- Lockable for increased security
- Anti-slam latch for hand/finger protection
- Wall to wall, front to back storage capacity
- Multiple sizes available
- Stackable



CABINETS & LOCKERS

LOW ROOF | MID ROOF | HIGH ROOF

Van cabinets provide secure, lockable storage to prevent theft and keep tools organized. They ensure everything stays in place while you're on the move.

- Lockable for increased security
- Large interior storage capacity
- Movable shelf options
- Enclosed for maximum containment
- Clean, professional look



BIN CABINETS

LOW ROOF | MID ROOF | HIGH ROOF

Van bin cabinets offer portable, removable bins for easy refilling at the job-site or warehouse. They conceal tools for a clean, professional look and feature a folding hasp to keep bins secure during transit.

- Easy access to all portable bins
- Short & tall bin sizes for various cargo
- Containment options to hold bins in place
- Incorporated & add-on top shelf options
- Clean, professional look
- Multiple sizes/configurations available

CARGO ACCESSORIES

TAILOR YOUR UPFIT TO WHAT YOU CARRY.

FIND YOUR
PRODUCT



SAFETY ACCESSORIES

LOW ROOF | MID ROOF | HIGH ROOF

Improve the safety of your work vehicles with our line of safety accessories.

Grab Handles, Rear and Side Door Steps, Interior and Exterior Lighting, First Aid Kits, Reflector Kits and Fire Extinguishers.

- Grab Handles
- Rear Door Steps & Side Door Steps
- Interior Lighting
- Exterior Lighting
- Fire Extinguishers
- First Aid Kits



EASY ACCESS STORAGE

LOW ROOF | MID ROOF | HIGH ROOF

Keep the things you need frequently within arms reach using our easy access products designed for installation at or on the rear or side doors of your vehicle.

Door Storage Trays, Hooks, Wire Reel Holders, Tank Racks, Portable Parts Cases and more.

- Door Storage Trays
- Hooks
- Wire Reel Holders
- 30 lbs. & 50 lbs. Tank Racks
- Caulk & Aerosol Can Holders
- Solvent Storage Trays



PORTABLE STORAGE

LOW ROOF | MID ROOF | HIGH ROOF

Organize smaller parts and get them to the job-site in less trips. Install them near the rear or side doors for the added benefit of easy access from outside the vehicle.

- Short & Tall Parts Cases
- Stackable Configurations
- Impact Resistant Options
- Customizable Compartments
- 6" & 12" Bins



Scan to find your local distributor to buy products or start building your upfit solution!

Questions?
Contact Us!

AdrianSteel.com
800.677.2726

NEXT-GEN STARTER PACKAGES

PACKAGES DESIGNED FOR GENERAL STORAGE NEEDS.



BASE SHELVING PACKAGE

LOW ROOF | MID ROOF | HIGH ROOF

The base upfit, perfect for those just starting out or who need simple storage for tools and supplies. Add drawers, door kits, bins, and accessories as you grow.

- Shelving only package, no added accessories
- Full length shelving on driver side
- Full length shelving on passenger side
- Steel partition with visibility for driver safety



Bin Package

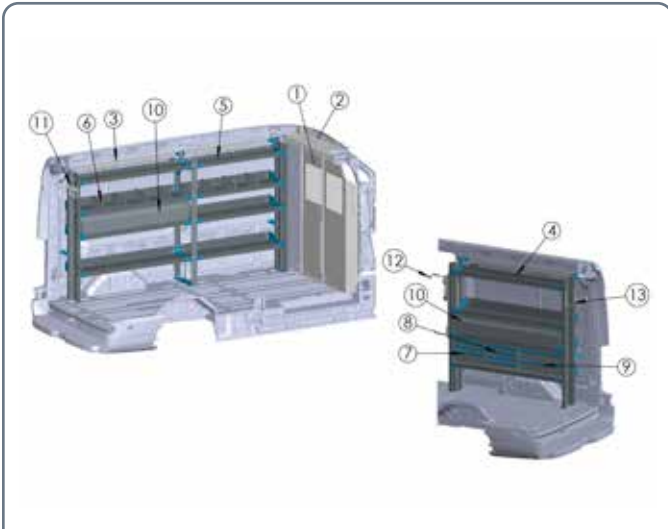
LOW ROOF | MID ROOF | HIGH ROOF

The Bin Package upgrades the Base with shelf dividers and drawers for more functionality. Add more drawers, door kits, and accessories, now, or down the road.

- Full length shelving on driver side
- Full length shelving on passenger side
- 8 shelf dividers can be installed on any 14" shelf
- 3 drawer units to organize small parts/tools
- Steel partition with visibility for driver safety



FIND YOUR
PACKAGE



General Service Package

LOW ROOF | MID ROOF | HIGH ROOF

The General Service Package offers more storage than the Base and Bin packages, with hooks and door kits for added flexibility. Add drawers, bins, and accessories as needed, now, or down the road.

- Full length shelving on driver side
- Full length shelving on passenger side
- 8 shelf dividers can be installed on any 14" shelf
- 3 drawer units to organize small parts/tools
- 2 door kits to contain and conceal expensive tools
- 6 hooks for extension cords or tool bags
- Steel partition with visibility for driver safety



Scan to find your local distributor to buy products or start building your upfit solution!

Questions?
Contact Us!

AdrianSteel.com
800.677.2726

NEXT-GEN INDUSTRY PACKAGES

STARTING PACKAGES DESIGN FOR TRADE SPECIFIC NEEDS.



HVAC

LOW ROOF | MID ROOF | HIGH ROOF

As an HVAC technician, your tools are key—refrigerant tanks, power tools, gauges, filters, and more. Start with the HVAC upfit and customize it to stay organized, improving safety, accuracy, and efficiency on the job.

- 30 lbs. and 50 lbs. tank storage, freon and reclaim
- Shelving and dividers for solvents and cleaners
- Bins, cases and drawers to organize compressors
- Mechanical and/or digital manifold gauge storage
- Vacuum pump storage
- Caulk tube accessories



Electrical

LOW ROOF | MID ROOF | HIGH ROOF

As an electrician, your tools are essential—wire reels, power tools, drill bits, connectors, and more. Start with the Electrical upfit and customize it to stay organized, improving safety, accuracy, and efficiency on the job.

- Wire Storage
- Bins, cases and drawers to organize connectors
- Hooks for extension cords and tool bags
- Shelf and accessory storage for long drill bits
- Door kits to contain and conceal expensive tools

FIND YOUR PACKAGE



Plumbing

LOW ROOF | MID ROOF | HIGH ROOF

As a plumber, your tools are crucial—pipes, fittings, wrenches, and more. Start with the Plumbing upfit and customize it to stay organized, boosting safety, accuracy, and efficiency on the job.

- Long shelves to support pipe and conduit
- Hooks for extension cords and hoses
- Cabinets to contain clean or dirty items
- Portable bins to organize fittings
- Shelf dividers for supplies, tool boxes and bags



Builder/Contractor

LOW ROOF | MID ROOF | HIGH ROOF

As a builder or general contractor, your tools are essential—lumber, power tools, fasteners, and more. Start with the Contractor upfit and customize it to stay organized, enhancing safety, accuracy, and efficiency on the job.

- Long shelves to support wood and long materials
- Hooks for extension cords, hard hat and/or hoses
- Door Kits to contain and conceal expensive tools
- Portable Cases to organize fasteners and small parts



Scan to find your local distributor to buy products or start building your upfit solution!

Questions?
Contact Us!

AdrianSteel.com
800.677.2726

NEXT GEN INDUSTRY PACKAGES

STARTING PACKAGES DESIGN FOR TRADE SPECIFIC NEEDS.

FIND YOUR
PACKAGE



BUILDING MAINTENANCE

LOW ROOF | MID ROOF | HIGH ROOF

As a Building Maintenance professional, your tools are essential—power tools, maintenance supplies, fasteners, and more. Start with the Building Maintenance upfit and customize it to stay organized, enhancing safety, efficiency, and job productivity.

- Long shelving for wood and conduit storage
- Portable bins to separate and organize small parts
- Hooks for extension cords, hoses, and tool bags
- Door kits to contain and conceal expensive tools
- Interior step ladder holder for clean ladders



LOCKSMITH

LOW ROOF | MID ROOF | HIGH ROOF

As a locksmith, your tools are crucial—key blanks, lock picks, drills, and more. Start with the Locksmith upfit and customize it to stay organized, boosting safety, efficiency, and precision on the job.

- Drawer Units for Key Blanks and small parts
- Portable parts cases for jobs away from the vehicle
- Work bench top for key machines and working area
- File storage for manuals and paperwork
- Cabinets to contain clean or dirty items



 **CONNECT**
BUSINESS CERTIFIED DISTRIBUTOR



FIND YOUR
DISTRIBUTOR



CONNECT BUSINESS CERTIFIED DISTRIBUTORS

Imagine a partner who truly understands your business and helps it grow every day. When you work with our Connect Certified Distributors, you're not just getting a van or truck upfit – you're investing in a custom solution that drives your success and a partner to guide your fleet with you.

- Cutting-edge design centers and showrooms
- 3-D upfitting tool, see your upfit before buying
- Product options on display for tool test fitting
- Expert installers for peace of mind upfitting



Scan to find your local distributor to buy products or start building your upfit solution!

Questions?
Contact Us!

AdrianSteel.com
800.677.2726

ADRIAN LADDER RACKS

CARRY WHAT YOU NEED WITH LESS RISK OF INJURY.



PROLIFT™ LADDER RACK

LOW ROOF | MID ROOF | HIGH ROOF

This rack is ideal for technicians who need their ladders daily. It lifts and lowers the ladder for you, saving time, reducing fatigue, and preventing injuries from lifting heavy ladders.

Max-Drop and Standard-Drop options available.

- Up to 50% lighter operation
- Reduced injuries loading/unloading ladders
- Secure clamping for piece of mind
- Adjustable to fit a variety of ladder types
- Accepts padlocks to prevent theft
- Corrosion resistant



GRIP-LOCK LADDER RACK

LOW ROOF | COMPACT

This rack is perfect for technicians who need their ladders every other day. The tilt angle helps with loading and unloading, while corrosion-resistant parts protect the rack, ladder, and van, keeping them in great condition.

- Lower reach height than other similar racks
- Secure clamping for piece of mind
- Accepts padlocks to prevent theft
- Corrosion resistant
- No-drill installation
- Adjustable ladder clamps



FIND YOUR
ROOF RACK



HD UTILITY RACK

LOW ROOF | COMPACT

Ideal for technicians who need to transport large materials like multiple ladders, lumber, scaffolding, or conduit. Our HD Utility racks are corrosion-resistant and easy to install without drilling, helping protect your vehicle's value.

- 2 or 3 bar options available
- Four upright options: 4", 6", 9" & 9" with Ratchets
- Rear roller accessory to assist in loading/unloading
- Flat surface for a wide range of cargo/sizes
- Corrosion resistant
- No-drill installation



INTERIOR LADDER STORAGE

LOW ROOF | MID ROOF | HIGH ROOF

Store your step ladder inside your van to keep it clean and dry. Our interior storage options fit all vehicle sizes and secure ladders on shelving, partitions, or the ceiling, keeping it out of the way.

- Protects your ladder from theft & elements
- Strong gas clamp to secure ladder
- Adjustable brackets for different ladder sizes
- Rubber coating minimizes damage & noise
- Easy access from outside the van



Scan to find your local distributor to buy products or start building your upfit solution!

Questions?
Contact Us!

AdrianSteel.com
800.677.2726



RETHINK YOUR UPFIT AND SEE THE R.O.I. WITH A SOLUTION BUILT TO HELP YOUR BUSINESS GROW AT EVERY STAGE.

A TRUE BUSINESS PARTNER

Imagine a partner who truly understands your business and helps it grow every day. When you work with our Connect Certified Distributors, you're not just getting a van or truck upfit – you're investing in a solution that drives your success and a partner to guide your fleet with you.



WITH EXPERIENCED UPFITTING EXPERTS

Step into their cutting-edge design centers and showrooms, where you can explore the latest in van and truck upfitting solutions.

Here, you'll meet trained upfit experts ready to listen to your unique needs and create a custom plan that will help you maximize your investment.

With professional installers on hand, they'll ensure your vehicle is perfectly upfitted to support your business and keep you moving forward.

AND A SIMPLE PROCESS



LEARN:

We start with an upfit and business review to identify opportunities.



DESIGN:

Then, we design a solution based on your needs and build your ROI story.



INSTALL:

Our skilled installers complete the upfit, turning your vehicle into a true asset.



HARD WORK, CRAFTED HERE, FOR YOU.

We are Adrian Steel.

From a town where mornings start early, and the sound of industry echoes down every street.

For over 70 years, Adrian Steel has delivered upfitting cargo management solutions that organize, protect, and perform.

Here, we don't just work — we build.

Every weld, every cut, every creation carries the pride of this place.

At Adrian Steel, we believe that when something matters, you make it yourself.

From Adrian, to towns across America, we're crafting cargo management solutions that enable you to build the future.



Scan to find your local distributor to buy products or start building your upfit solution!

Questions?
Contact Us!

AdrianSteel.com
800.677.2726



ADRIAN STEEL®

FORGED FOR WHATS NEXT



OVER 250 DISTRIBUTORS NATIONWIDE

Contact your nearest
Adrian Steel distributor to get
your Cargo Van Solution, today.

ADRIANSTEEL.COM/DISTRIBUTORS

