



EXTENDED BED & SHELVING

OCT2024



ADRIAN STEEL®

Cargo Management Solutions for Commercial Vehicles

INTEGRATED TRUCK SOLUTIONS

BUILT FOR PROFESSIONALS // DESIGNED FOR HARD WORK



A WHOLE NEW ERA OF PICKUP TRUCK SOLUTIONS.

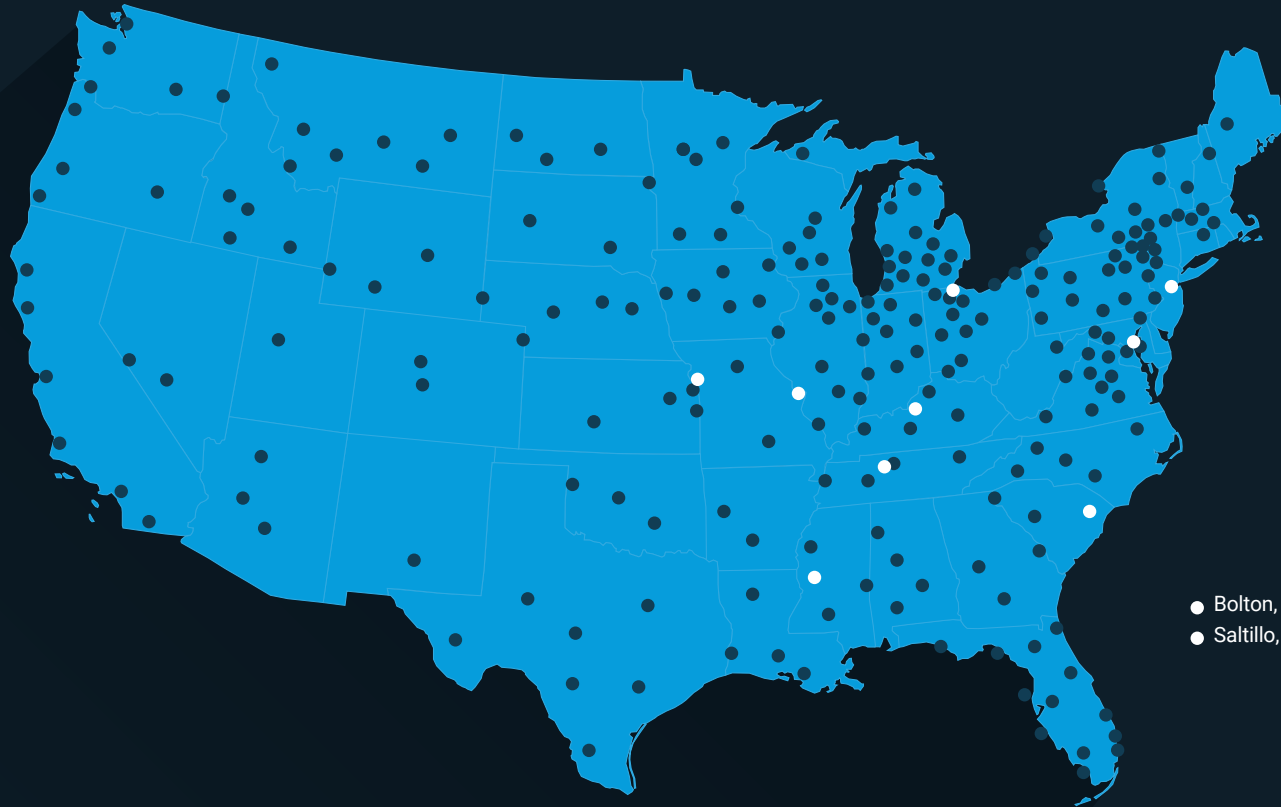
For years, you've known Adrian Steel as a trusted resource for upfitting your cargo vans. As the industry shifts towards pickup trucks, we're leading the charge with our cargo truck solutions while remaining committed to our industry-best lead times that Adrian Steel customers have relied on for years. Serving as a one-stop-shop for simplified ordering, our cargo truck solutions offer you the benefit of lead times that are unmatched, and

A RANGE OF TRUCK PRODUCTS DESIGNED SPECIFICALLY TO WORK TOGETHER AS MUCH AS THEY WORK FOR YOU.

250+ DISTRIBUTORS & 11 SHIP-THRU LOCATIONS NATIONWIDE.

WE SPECIALIZE IN TAILORED UPFITTING SOLUTIONS TO SUIT A DIVERSE RANGE OF BUSINESSES AND VEHICLE PLATFORMS.

Whether you operate a single work vehicle or manage a fleet of thousands, Adrian Steel has the right solution for your business. Our distribution network supports customers in the local market and our fleet team supports customers that need work-ready vehicles delivered across the nation.



- Bolton, ON Canada
- Saltillo, Mexico

COMMERCIAL

OUR PRODUCTS ARE SHIPPED TO OUR NETWORK OF DISTRIBUTORS WHO DESIGN AND INSTALL UPFIT SOLUTIONS FOR CUSTOMERS IN THEIR LOCAL MARKETS.

TO FIND YOUR LOCAL DISTRIBUTOR, GO TO [ADRIANSTEEL.COM/DISTRIBUTORS](https://adriansteel.com/distributors)

FLEET

OUR PRODUCTS ARE DELIVERED TO OUR SHIP-THRU INSTALLATION FACILITIES THAT ARE CONVENIENTLY LOCATED NEAR THE OEM MANUFACTURING PLANTS ACROSS THE COUNTRY.

TO FIND YOUR FLEET ACCOUNT EXECUTIVE, GO TO [ADRIANSTEEL.COM/BUY/FLEETS](https://adriansteel.com/buy/fleets)

NEVER REACH INSIDE THE TRUCK BED AGAIN!

PRODUCTS THAT WORK TOGETHER
SEAMLESSLY TO BRING THE INSIDE
OF YOUR TRUCK BED, OUT.

FAST, SAFE & EASY ACCESS



QUICK ROI!

A PEST CONTROL COMPANY DETERMINED THAT
EACH VEHICLE CAN SERVICE APPROXIMATELY 20
MORE CLIENTS PER MONTH WITH EXTENDEDBED.

\$80 SERVICE FEE PER CLIENT
X 20 CLIENTS PER MONTH

= \$1,600 ADDITIONAL REVENUE
PER MONTH/PER VEHICLE

\$1,600
X 12 MONTHS

= \$19,200 ADDITIONAL
REVENUE PER VEHICLE

EXTENDED BENEFITS

EXTENSION PAST TAILLIGHTS (110%)

// Complete access to your tools and consumables without reaching or leaning into the truck minimizes your risk of injury.

Increased safety = increased savings (e.g., one back injury may cost up to \$50,000 in a worker's comp claim).

// Full extension provides you with greater side access on the slide out.

Other slide outs can still be up to 8" – 12" inside the truck/van bed even at 100% extension, reducing side access.

COMMERCIAL GRADE CONSTRUCTION

// A fully welded steel frame provides for increased load capacity of 1,200 lbs.

// Ease of use with 2 3/8" high-capacity roller bearings.

// Simple 4-bolt/bracket installation

// 20 Year Warranty

SLIDEOUT PLATFORM SHELVING BENEFITS

PURPOSE BUILT FOR TRUCKS

// The only shelving designed to work in the bed of the truck on a sliding platform.

// No cutting or modification required.

// Designed to be free-standing on Extendobed.

MODULAR DESIGN

// Configure the space between shelves for better customization.

INCREASED JOB SITE EFFICIENCY

// Shelving and accessories attached to the deck of the slide out are available to get work crews on/off job sites quicker.

// Organized supplies and tools means no more wasted trips back to the warehouse to get items that are on the truck/van but can't be easily found.

PART NUMBER	PRODUCT
EB1590	8' Beds
EBL1272	6.5' & 6.7' Beds
EBL1270	6.3' Beds
EBL1260	5.5' Beds
HDW71974	Riser Kit for Silverado 1500 6.5' Bed <i>(required for proper functionality)</i>

TESTED TOUGHNESS

// Strength-to-weight ratio of 50lbs matches/exceeds competitors.

STREAMLINED INSTALLATION

// Fewer parts with standard fasteners.



HVAC INTEGRATED SOLUTION

*Adrian Truck Cap and Extendedbed are not included in package.

HVAC-EBP72

Ford F-150 6.5' Bed

Chevy Silverado/Sierra 1500 6.5' Bed

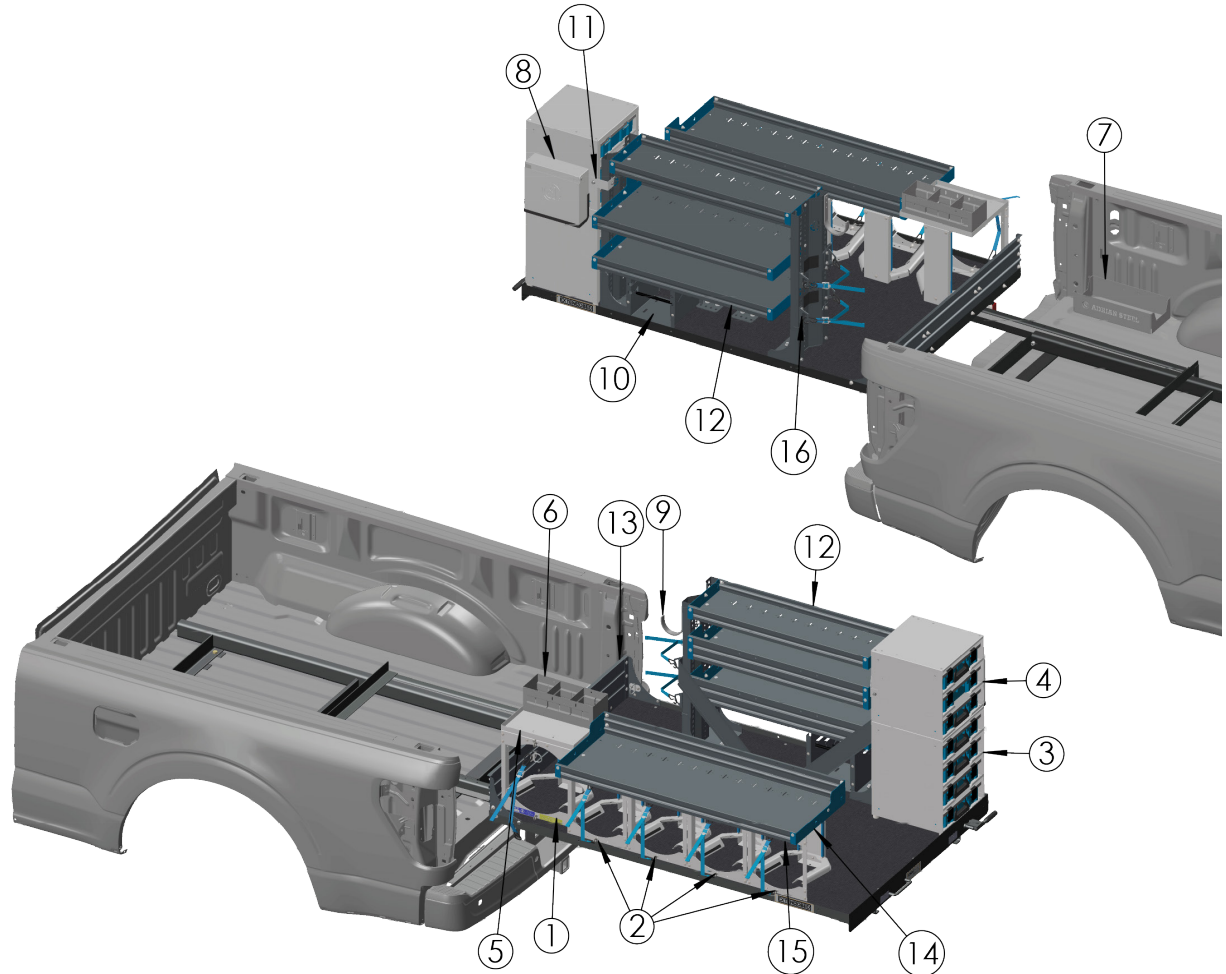
Ram 1500/2500/3500 6.3' Bed

HVAC INTEGRATED SOLUTION - 6.5' BED

HVAC-EBP72

Item	Part #	Description	Qty
1	150TR	Tank Rack, 50lb. (1)	1
2	130TR	Tank Rack, 30lb. (1)	4
3	CHPPC4S	4-Case Holder w/ Cases	1
4	CHPPC3S	3-Case Holder w/ Cases	1
5	TRSHELF50	50 lb. Tank Rack Shelf	1
6	66206	14" Solvent Tray	1
7	VPH1	Vacuum Pump Holder	1
8	GC1	HVAC Gauge Cover	1
9	UH50	Utility Hook, 5"	1
10	WRH3	Wire Reel Holder, 6"-12" Reels	1
11	72665	Mounting Hardware, CHPP	1
12	PTSU2T163630A3	3-Shelf Unit, 36"W x 16"D x 30"H	1
13	EBLBP4808	Extendedbed Back Plate	1
14	PECKT2T16A1	End Cap Kit	1
15	PSFK2T1648G1	48" Shelf Kit, Single	1
16	1NTR	Nitrogen Tank Holder	1
17	BAGEBLMNT	Mounting Hardware, Shelving to EBL	1
18	BAGPEPACCMNT4	Mounting Hardware, End Panel	1
19	03927-2	Extendedbed Spacer	4

*Adrian Truck Cap and Extendedbed are not included in package.



Adrian Truck Cap Part #	Vehicle
TFKFDT178HM23W	F-150 6.5' Bed
TFKGMT178HM23W	Silverado/Sierra 1500 6.5' Bed
TFKRAM175HM23W	Ram 1500/2500/3500 6.3' Bed
Extendedbed Part #	
EBL1272	Extendedbed, 6.5' Truck Beds
EBL1270	Extendedbed, 6.3' Truck Beds

HVAC Packages not show

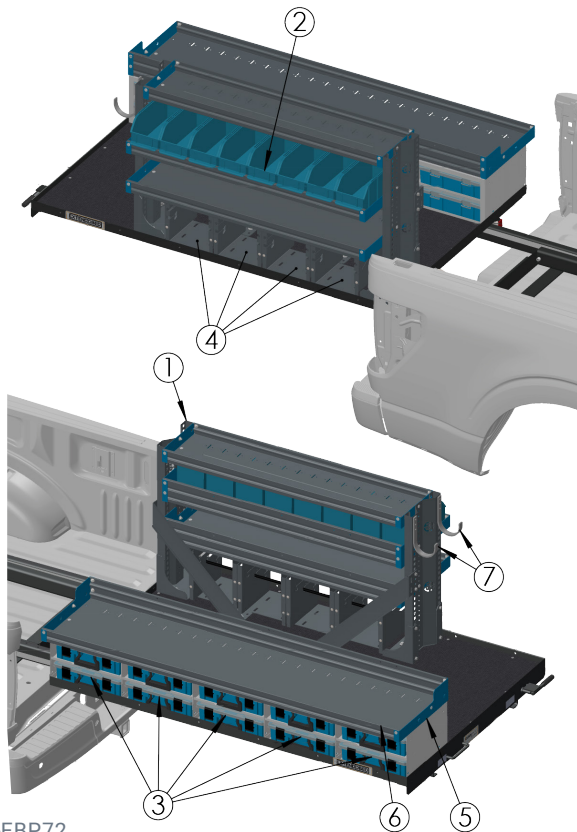
HVAC-EBP60	F-150/Lightning 5.5' Bed
HVAC-EBP90	F-150 8' Bed
HVAC-EBP90	Silverado 1500/2500/3500 8.0' Bed

Electrical Packages not show

ELE-EBP60	F-150/Lightning 5.5' Bed
ELE-EBP90	F-150 8' Bed
ELE-EBP90	Silverado 1500/2500/3500 8.0' Bed

ELECTRICAL INTEGRATED SOLUTION

*Adrian Truck Cap and Extendedbed are not included in package.



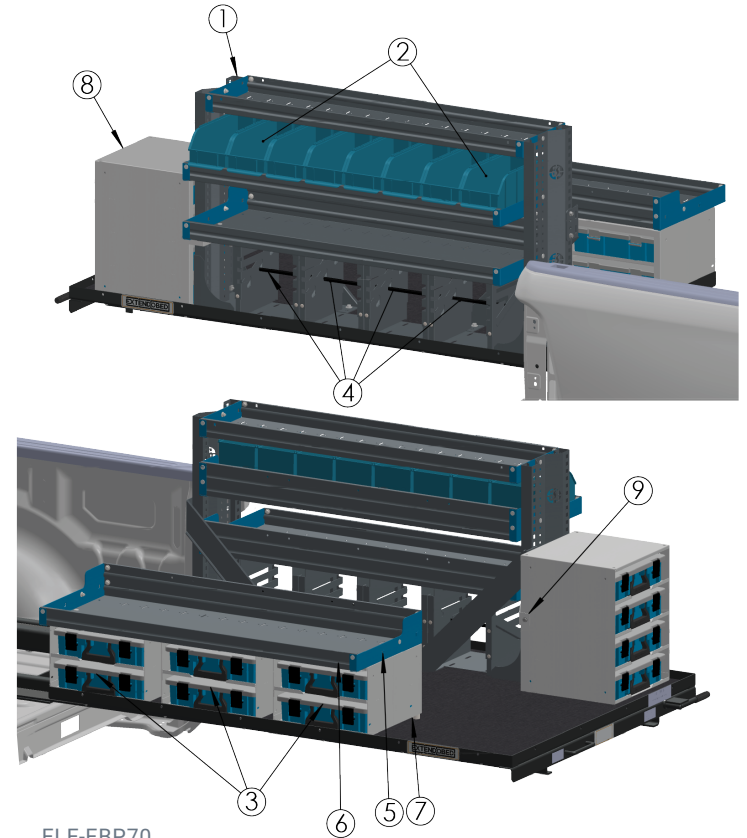
ELE-EBP72

Ford F-150 6.5' Bed
Chevy Silverado/Sierra 1500 6.5' Bed

ELECTRICAL INTEGRATED SOLUTION - 6.5' BED

ELE-EBP72

Item	Part #	Description	Qty
1	PTSU2T164830A3	3-Shelf Unit, 48"W x 16"D x 30"H	1
2	SBIN060614	6" Portable Bin	8
3	CHPPC2S	2-Case Holder w/ Cases	5
4	WRH3	Wire Reel Holder, 6"-12" Reels	4
5	PECKT2T16A1	End Cap Kit	1
6	PSFK2T1672G1	72" Shelf Kit, Single	1
7	UH50	Utility Hook, 5"	2
8	BAGEBLMNT	Mounting Hardware, Shelving to EBL	2
9	BAGPEPACCMNT4	Mounting Hardware, End Panel	1
10	03927-2	Extendedbed Spacer	20



ELE-EBP70

Ram 1500/2500/3500 6.3' Bed

ELECTRICAL INTEGRATED SOLUTION - 6.3' BED

ELE-EBP70

Item	Part #	Description	Qty
1	PTSU2T164830A3	3-Shelf Unit, 48"W x 16"D x 30"H	1
2	SBIN060614	6" Portable Bin	8
3	CHPPC2S	2-Case Holder w/ Cases	3
4	WRH3	Wire Reel Holder, 6"-12" Reels	4
5	PECKT2T16A1	End Cap Kit	1
6	PSFK2T1648G1	48" Shelf Kit, Single	1
7	03927-2	Extendedbed Spacer	12
8	CHPPC4S	4-Case Holder w/ Cases	1
9	72665	Mounting Hardware, CHPP	1
10	BAGEBLMNT	Mounting Hardware, Shelving to EBL	2
11	03927-2	Extendedbed Spacer	12



**CONTACT YOUR NEAREST ADRIAN STEEL DISTRIBUTOR TO
GET YOUR INTEGRATED TRUCK SOLUTION, TODAY.**

ADRIANSTEEL.COM/DISTRIBUTORS

906 James Street
Adrian, Michigan 49221-3996

P: 517-265-6194
Toll Free 800-677-2726

info@adriansteel.com
adriansteel.com

TRUST // INNOVATION // QUALITY // DELIVERY